

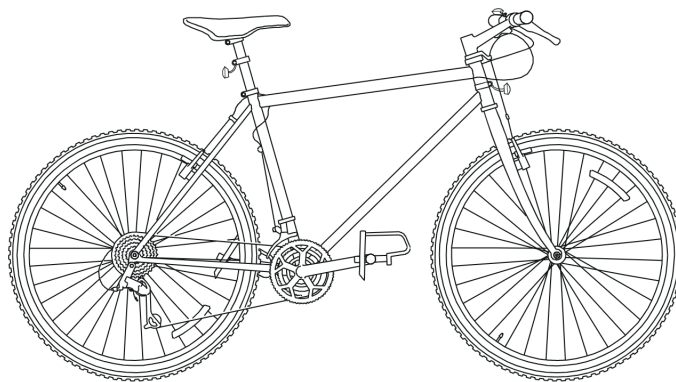
Mountain bike

Docuneering S1000D Issue 5.0 Demo

AMP - Pedals - V16

S1000DBIKE-X1234-00050-00

Issue No. 002(00), 2023-02-01



Copyright (C) 2022 by each of the following organizations

- AeroSpace and Defence Industries Associations of Europe - ASD.
- Ministries of Defence of the member countries of ASD.

Limitations of liability:

- This material is provided "As is" and neither ASD nor any person who has contributed to the creation, revision or maintenance of the material makes any representations or warranties, express or implied, including but not limited to, warranties of merchantability or fitness for any particular purpose.
- Neither ASD nor any person who has contributed to the creation, revision or maintenance of this material shall be liable for any direct, indirect, special or consequential damages or any other liability arising from any use of this material.
- Revisions to this document may occur after its issuance. The user is responsible for determining if revisions to the material contained in this document have occurred and are applicable.

Publisher:

ACME

ACME Made-Up Name Inc.

Manufacturer:

Docuneering

Docuneering Ltd
PO Box 4254
Melksham
England



Applicable to: All

S1000DBIKE-AAA-D00-00-00-00AA-001A-A

TPSMG TOR 001

There are no known conditions that would change the data restrictions for, or security classification of, this publication.

To be made available to all Steamy Rollers customers.

Export of this publication to all countries that are the residence of organizations that are users of S1000D is permitted.

There are no dissemination limitations that apply to this publication.

Users may destroy this publication in accordance with any local procedures.

There are no dissemination limitations that apply to this publication.

Notice to the reader:

This publication includes highly sophisticated stuff. Read it with:

- reflection
- pride

Manufacturer's information:

Steamy Rollers is a well-reputed heavy vehicle manufacturer famous for its reliable steamrollers. However, if something goes wrong, don't blame us.

Any complaint shall be sent to:

- AECME Steamroller Distributors, Poste Restante, Somewhere City, Utopia
- Steamy Rollers, Off Road 66, Noway, Atlantis

Configuration

1 Product configuration

The product configuration shows current, associated, and historical product information for the end item part numbers contained in this publication. The products are listed by PN class, which are defined as follows:

- "PRIME" - The PRIME is the current OEM's top-level part number and MFR code covered by this publication.
- "ALT" - The ALT represents an alternative to the PRIME for the same part. For example, this could be an airframe manufacturer's part number.
- "PREV" - The PREV represents a legacy part number and MFR code to the PRIME for the same part number that may still be supported.
- "OBS" - The OBS represents a part number and MFR code that is no longer supported but is included in this publication for historical reference.

Refer to the "List of suppliers" for MFR information.

Table 1 Product configuration

PN class	PN	MFR	Component name	Model
PRIME	123-1111	ZZZZZ	Product Five	
ALT	Z555-ZZZZ-55	ZZZZZ	Product Five	
ALT	R555-RRRR-55	RRRR	Product Five	
PREV	A555-5555-55	AAAAA		Model Five

2 Publication configuration

The publication configuration shows active or superseded configuration information about this publication. The publications are listed by Pub class, which are defined as follows:

- "PRIME" - The PRIME represents the active publication.
- "PREV" - The PREV represents the legacy publication to the PRIME publication.

Refer to the "List of suppliers" for MFR information.

Table 2 Publication configuration

Pub class	SNS/ATA	MFR	Publication number	Issue/Rev
PRIME	23-10-10	55555	CMMST-ZZZZZ-00001-00	Current
PREV	23-00-10	ZZZZZ		018

Intentionally left blank.

Copyright statements

1 **Copyright**

Copyright (C) 2022 by DOCUNEERING LTD

2 **Limitations of liability**

This material is provided "As is" and neither Docuneering Ltd nor any person who has contributed to the creation, revision or maintenance of the material makes any representations or warranties, express or implied, including but not limited to, warranties of merchantability or fitness for any particular purpose.

Neither Docuneering Ltd nor any person who has contributed to the creation, revision or maintenance of this material shall be liable for any direct, indirect, special or consequential damages or any other liability arising from any use of this material.

Revisions to this document may occur after its issuance. The user is responsible for determining if revisions to the material contained in this document have occurred and are applicable.

Intentionally left blank.

Administrative and legal statements

1 **Docuneering Limited Product License Agreement**

IMPORTANT - PLEASE READ THIS ENTIRE AGREEMENT CAREFULLY BEFORE USING THIS DOCUMENT.

YOU AGREE TO BE BOUND BY THE TERMS OF, AND BECOME PARTY TO, THIS AGREEMENT. THIS AGREEMENT IS APPLICABLE TO THE ACCOMPANYING MARCHANDISE (THE "MARCHANDISE"), THE INFORMATION RESIDING THEREON OR ON THE INTERNET WEB SITES ACCESSIBLE EXCLUSIVELY VIA LINKS FROM THE MARCHANDISE (THE "CONTENT") AND THE RELATED SOFTWARE (COLLECTIVELY, THE "LICENSED PRODUCT"). IF YOU DO NOT AGREE TO BE BOUND BY THE TERMS OF, AND BECOME PARTY TO, THIS AGREEMENT, YOU CANNOT USE ANY PART OF THIS DOCUMENT AND CANNOT SHARE IT WITH OR FORWARD IT TO ANY OTHER PERSON OR ENTITY.

2 **Important information**

The Product contains specifications, practices and other information relating to the covered topics. Docuneering Ltd does not mandate the use of all or any part of the Licensed Product and your decision to use the Licensed Product is entirely voluntary, your decision and at your own risk. You may choose to use the Content is whole, in part or not at all.

There may be practices, standards and/or governmental requirements applicable to your operations that exceed, or vary from, the Licensed Product. You are solely responsible for determining of such practices, standards of regulatory requirements exist and whether they apply to your activities and for complying with these that are applicable. Such practices, standards and regulatory requirements can change significantly over time. Unless Docuneering Ltd expressly states otherwise in writing, nothing in this Agreement shall be interpreted as requiring Docuneering Ltd to provide you with updates, revisions or information about any development or action affecting the Licensed Product.

The Licensed Product has been compiled by Docuneering Ltd and/or its licensors. Docuneering Ltd and/or its licensors reserve title to and ownership of the Licensed Product and all copyrights and any other intellectual rights in it.

3 **Description of license**

Upon your acceptance of this Agreement, you will be permitted to access the information for which you have obtained the license described and limited below...

Intentionally left blank.

Safety statements

1 Safety statements



Note 1
This is a note.

Note 2
This is another note.

Intentionally left blank.

List of effective data modules

The listed documents are included in issue 002, dated 2023-02-01, of this publication.

C = Changed data module

N = New data module

Document title	Data module code Publication module code	Issue date	No. of pages	Applicable to
Title page	S1000DBIKE-AAA-D00-00-00-00AA-001A-A	2022-12-31	2	All
Configuration	S1000DBIKE-AAA-D00-00-00-00AA-020A-A	2022-12-31	1	All
Copyright statements	S1000DBIKE-AAA-D00-00-00-00AA-021A-A	2022-12-31	1	All
Administrative and legal statements	S1000DBIKE-AAA-D00-00-00-00AA-023A-A	2022-12-31	1	All
Safety statements	S1000DBIKE-AAA-D00-00-00-00AA-012A-A	2022-12-31	1	All
Change record	S1000DBIKE-AAA-D00-00-00-00AA-00TA-A	2022-12-31	1	All
Technical standard record	S1000DBIKE-AAA-D00-00-00-00AA-008A-A	2022-12-31	1	All
Products cross-reference table	S1000DBIKE-AAA-D00-00-00-00AA-00PA-D	2019-06-28	2	All
Conditions cross-reference table	S1000DBIKE-AAA-D00-00-00-00AA-00QA-D	2019-06-28	2	All
Applicability cross-reference table	S1000DBIKE-AAA-D00-00-00-00AA-00WA-D	2019-06-28	2	All
Introduction	S1000DBIKE-AAA-D00-00-00-00AA-018A-A	2022-12-31	1	All
Section 1 – Bicycle	S1000DBIKE-AAA-D00-00-00-01AA-001A-A	2022-12-31	1	All
Bicycle – Controls and Indicators	S1000DBIKE-AAA-D00-00-00-00AA-00XA-A	2019-06-28	3	All
Mountain bicycle – Business rules exchange	S1000DBIKE-AAA-D00-00-00-00AA-022A-D	C 2019-06-28	11	
Bicycle – Description of how it is made	S1000DBIKE-AAA-D00-00-00-00AA-041A-A	2019-06-28	3	Mountain bicycle and (Mountain storm Mk1 or Brook trekker Mk9)

Produced by Docuneering Ltd

Applicable to: Mountain bicycle and (Mountain storm Mk1 or Brook trekker Mk9)

S1000DBIKE-AAA-D00-00-00-00AA-002A-A

(Continued)

Document title	Data module code Publication module code	Issue date	No. of pages	Applicable to
Bicycle – Description of function	S1000DBIKE-AAA-D00-00-00-00AA-042A-A	N 2019-06-28	3	Mountain bicycle and (Mountain storm Mk1 or Brook trekker Mk9)
Bicycle – Description attributed to crew	S1000DBIKE-AAA-D00-00-00-00AA-043A-A	C 2019-06-28	2	Mountain bicycle and (Mountain storm Mk1 or Brook trekker Mk9)
Mountain bicycle – Applicability cross-reference table catalog	S1000DBIKE-AAA-D00-00-00-00AA-0A3A-D	2019-06-28	2	All
Bicycle – Pre-operation procedures (crew)	S1000DBIKE-AAA-D00-00-00-00AA-121A-A	C 2019-06-28	6	Mountain bicycle and (Mountain storm Mk1 or Brook trekker Mk9)
Bicycle – Riding a bicycle	S1000DBIKE-AAA-D00-00-00-00AA-130A-A	2019-06-28	1	
Bicycle – Normal operation procedures (crew)	S1000DBIKE-AAA-D00-00-00-00AA-131A-A	C 2019-06-28	3	Mountain bicycle and (Mountain storm Mk1 or Brook trekker Mk9)
Bicycle – Post-operation procedures (crew)	S1000DBIKE-AAA-D00-00-00-00AA-151A-A	N 2019-06-28	3	Mountain bicycle and (Mountain storm Mk1 or Brook trekker Mk9)
Bicycle – Servicing: Prerequisite concept review	S1000DBIKE-AAA-D00-00-00-00AA-200A-T-T36D	2019-06-28	1	

Produced by Docuneering Ltd

Applicable to: Mountain bicycle and (Mountain storm Mk1 or Brook trekker Mk9)

S1000DBIKE-AAA-D00-00-00-00AA-002A-A

(Continued)

Document title	Data module code Publication module code	Issue date	No. of pages	Applicable to
Bicycle – Other procedures to clean	S1000DBIKE-AAA-D00-00-00-00AA-258A-A	C 2019-06-28	8	Mountain bicycle and (Mountain storm Mk1 or Brook trekker Mk9)
Bicycle – Other procedures to clean	S1000DBIKE-AAA-D00-00-00-00AA-258B-A	2019-06-28	8	Mountain bicycle and (Mountain storm Mk1 or Brook trekker Mk9)
Bicycle – Place on test stand	S1000DBIKE-AAA-D00-00-00-00AA-330A-A	C 2019-06-28	2	Mountain bicycle and (Mountain storm Mk1 or Brook trekker Mk9)
Bicycle – Standard repair procedures	S1000DBIKE-AAA-D00-00-00-00AA-663A-A	2019-06-28	13	Mountain bicycle and (Mountain storm Mk1 or Brook trekker Mk9)
Bicycle – Performance support	S1000DBIKE-AAA-D00-00-00-00AA-952A-T-H31A	2019-06-28	1	
Bicycle – Illustrated Parts Data - IPD	S1000DBIKE-AAA-D00-00-00-01AA-941A-D	2019-06-28	3	Mountain bicycle and (Mountain storm Mk1 or Brook trekker Mk9)
Fork – Manual test	S1000DBIKE-AAA-D00-00-01-00AA-341A-A	2019-06-28	3	Mountain bicycle and (Mountain storm Mk1 or Brook trekker Mk9)

Produced by Docuneering Ltd

Applicable to: Mountain bicycle and (Mountain storm Mk1 or Brook trekker Mk9)

S1000DBIKE-AAA-D00-00-00-00AA-002A-A

(Continued)

Document title	Data module code Publication module code	Issue date	No. of pages	Applicable to
Fork – Remove procedures	S1000DBIKE-AAA-D00-00-01-00AA-520A-A	2019-06-28	3	Mountain bicycle and (Mountain storm Mk1 or Brook trekker Mk9)
Fork – Install procedures	S1000DBIKE-AAA-D00-00-01-00AA-720A-A	2019-06-28	3	Mountain bicycle and Mountain storm Mk1
Bicycle – Service Bulletin - Replacement of standard forward fork by telescopic fork	S1000DBIKE-AAA-D00-00-01-00AA-930A-A	2019-06-28	11	Mountain bicycle and (Mountain storm Mk1 or Brook trekker Mk9)
Fork – Replacement procedure	S1000DBIKE-AAA-D00-00-01-00AA-933A-A	2019-06-28	4	Mountain bicycle and (Mountain storm Mk1 or Brook trekker Mk9)
Bicycle axis – Modification procedures	S1000DBIKE-AAA-D00-00-01-00AA-93AA-A	2019-06-28	2	Mountain bicycle and (Mountain storm Mk1 or Brook trekker Mk9)
Fork – Install procedures	S1000DBIKE-AAA-D00-00-01-00AB-720A-A	2019-06-28	3	Mountain bicycle and Brook trekker Mk9
Bicycle – Time limits	S1000DBIKE-AAA-D05-10-00-00AA-000A-A	C 2019-06-28	1	Mountain bicycle and (Mountain storm Mk1 or Brook trekker Mk9)

Produced by Docuneering Ltd

Applicable to: Mountain bicycle and (Mountain storm Mk1 or Brook trekker Mk9)

S1000DBIKE-AAA-D00-00-00-00AA-002A-A

(Continued)

Document title	Data module code Publication module code	Issue date	No. of pages	Applicable to
Bicycle – Scheduled maintenance lists	S1000DBIKE-AAA-D05-20-00-00AA-000A-A	2019-06-28	12	Mountain bicycle and (Mountain storm Mk1 or Brook trekker Mk9)
Bicycle – Scheduled maintenance checks	S1000DBIKE-AAA-D05-40-00-00AA-000A-A	2019-06-28	2	Mountain bicycle and (Mountain storm Mk1 or Brook trekker Mk9)
Bicycle – Maintenance Allocation Chart	S1000DBIKE-AAA-D05-80-00-00AA-916A-A	2019-06-28	9	Mountain bicycle and (Mountain storm Mk1 or Brook trekker Mk9)
Wheel – Description of how it is made	S1000DBIKE-AAA-DA0-00-00-00AA-041A-A	C 2019-06-28	7	Mountain bicycle and (Mountain storm Mk1 or Brook trekker Mk9)
Wheels – Description of how it is made: Knowledge Check	S1000DBIKE-AAA-DA0-00-00-00AA-041A-T-T61E	2019-06-28	1	
Inner tube – Remove and install a new item	S1000DBIKE-AAA-DA0-10-10-00AA-921A-A	2019-06-28	4	Mountain bicycle and (Mountain storm Mk1 or Brook trekker Mk9)
Tire – Fill with air	S1000DBIKE-AAA-DA0-10-20-00AA-215A-A	2019-06-28	3	Mountain bicycle and (Mountain storm Mk1 or Brook trekker Mk9)

(Continued)

Document title	Data module code Publication module code	Issue date	No. of pages	Applicable to
Tire – Check pressure	S1000DBIKE-AAA-DA0-10-20-00AA-362B-A	2019-06-28	3	Mountain bicycle and (Mountain storm Mk1 or Brook trekker Mk9)
Front wheel – Fault reports and isolation procedures	S1000DBIKE-AAA-DA0-10-20-00AA-400A-A	2019-06-28	3	Mountain bicycle and (Mountain storm Mk1 or Brook trekker Mk9)
Front wheel – Remove procedures: Interactive content - Procedure	S1000DBIKE-AAA-DA0-10-20-00AA-520A-T-T4JC	2019-06-28	1	
Tire – Remove and install a new item	S1000DBIKE-AAA-DA0-10-20-00AA-921A-A	2019-06-28	3	Mountain bicycle and (Mountain storm Mk1 or Brook trekker Mk9)
Rear wheel – Detected fault	S1000DBIKE-AAA-DA0-20-00-00AA-412A-A	2019-06-28	2	Mountain bicycle and (Mountain storm Mk1 or Brook trekker Mk9)
Rear wheel – Remove procedures	S1000DBIKE-AAA-DA0-20-00-00AA-520A-A	2019-06-28	2	Mountain bicycle and (Mountain storm Mk1 or Brook trekker Mk9)
Front wheel – Remove procedures	S1000DBIKE-AAA-DA0-30-00-00AA-520A-A	2019-06-28	2	Mountain bicycle and (Mountain storm Mk1 or Brook trekker Mk9)

Produced by Docuneering Ltd

Applicable to: Mountain bicycle and (Mountain storm Mk1 or Brook trekker Mk9)

S1000DBIKE-AAA-D00-00-00-00AA-002A-A

(Continued)

Document title	Data module code Publication module code	Issue date	No. of pages	Applicable to
Front wheel – Install procedures	S1000DBIKE-AAA-DA0-30-00-00AA-720A-A	2019-06-28	2	Mountain bicycle and (Mountain storm Mk1 or Brook trekker Mk9)
Brake system – Description of how it is made	S1000DBIKE-AAA-DA1-00-00-00AA-041A-A	2019-06-28	8	Mountain bicycle and (Mountain storm Mk1 or Brook trekker Mk9)
Brake system – Manual test	S1000DBIKE-AAA-DA1-00-00-00AA-341A-A	2019-06-28	2	Mountain bicycle and (Mountain storm Mk1 or Brook trekker Mk9)
Brake pads – Clean with rubbing alcohol	S1000DBIKE-AAA-DA1-10-00-00AA-251A-A	2019-06-28	3	Mountain bicycle and (Mountain storm Mk1 or Brook trekker Mk9)
Front brake – Remove procedures	S1000DBIKE-AAA-DA1-20-00-00AA-520A-A	2019-06-28	2	Mountain bicycle and (Mountain storm Mk1 or Brook trekker Mk9)
Front brake – Install procedures	S1000DBIKE-AAA-DA1-20-00-00AA-720A-A	2019-06-28	2	Mountain bicycle and (Mountain storm Mk1 or Brook trekker Mk9)

Produced by Docuneering Ltd

Applicable to: Mountain bicycle and (Mountain storm Mk1 or Brook trekker Mk9)

S1000DBIKE-AAA-D00-00-00-00AA-002A-A

(Continued)

Document title	Data module code Publication module code	Issue date	No. of pages	Applicable to
Steering – Description of how it is made	S1000DBIKE-AAA-DA2-00-00-00AA-041A-A	N 2019-06-28	2	Mountain bicycle and (Mountain storm Mk1 or Brook trekker Mk9)
Steering – Description of how it is made: Knowledge Check	S1000DBIKE-AAA-DA2-10-00-00AA-041A-T-T62E	2019-06-28	1	
Stem – Remove procedures	S1000DBIKE-AAA-DA2-10-00-00AA-520A-A	C 2019-06-28	4	Mountain bicycle and (Mountain storm Mk1 or Brook trekker Mk9)
Stem – Install procedures	S1000DBIKE-AAA-DA2-10-00-00AA-720A-A	C 2019-06-28	7	Mountain bicycle and (Mountain storm Mk1 or Brook trekker Mk9)
Handlebar – Remove procedures	S1000DBIKE-AAA-DA2-20-00-00AA-520A-A	N 2019-06-28	7	Mountain bicycle and (Mountain storm Mk1 or Brook trekker Mk9)
Handlebar – Install procedures	S1000DBIKE-AAA-DA2-20-00-00AA-720A-A	C 2019-06-28	3	Mountain bicycle and (Mountain storm Mk1 or Brook trekker Mk9)
Headset – Description of how it is made	S1000DBIKE-AAA-DA2-30-00-00AA-041A-A	2019-06-28	3	Mountain bicycle and (Mountain storm Mk1 or Brook trekker Mk9)

Produced by Docuneering Ltd

Applicable to: Mountain bicycle and (Mountain storm Mk1 or Brook trekker Mk9)

S1000DBIKE-AAA-D00-00-00-00AA-002A-A

(Continued)

Document title	Data module code Publication module code	Issue date	No. of pages	Applicable to
Headset – Remove procedures	S1000DBIKE-AAA-DA2-30-00-00AA-520A-A	N 2019-06-28	4	Mountain bicycle and (Mountain storm Mk1 or Brook trekker Mk9)
Headset – Install procedures	S1000DBIKE-AAA-DA2-30-00-00AA-720A-A	C 2019-06-28	3	Mountain bicycle and (Mountain storm Mk1 or Brook trekker Mk9)
Spacer – Install procedures	S1000DBIKE-AAA-DA2-40-00-00AA-720A-A	2019-06-28	2	Mountain bicycle and Mountain storm Mk1
Frame – Description of how it is made	S1000DBIKE-AAA-DA3-00-00-00AA-041A-A	2019-06-28	3	Mountain bicycle and (Mountain storm Mk1 or Brook trekker Mk9)
Horn – Isolated fault	S1000DBIKE-AAA-DA3-10-00-00AA-411A-A	2019-06-28	2	Mountain bicycle and (Mountain storm Mk1 or Brook trekker Mk9)
Horn – Remove and install a new item	S1000DBIKE-AAA-DA3-10-00-00AA-921A-A	2019-06-28	3	Mountain bicycle and (Mountain storm Mk1 or Brook trekker Mk9)
Drivetrain – Description of how it is made	S1000DBIKE-AAA-DA4-00-00-00AA-041A-A	2019-06-28	1	Mountain bicycle and (Mountain storm Mk1 or Brook trekker Mk9)

Produced by Docuneering Ltd

Applicable to: Mountain bicycle and (Mountain storm Mk1 or Brook trekker Mk9)

S1000DBIKE-AAA-D00-00-00-00AA-002A-A

(Continued)

Document title	Data module code Publication module code	Issue date	No. of pages	Applicable to
Chain – Oil	S1000DBIKE-AAA-DA4-10-00-00AA-241A-A	C 2019-06-28	10	All
Chain – Clean with chemical agent	S1000DBIKE-AAA-DA4-10-00-00AA-251B-A	2019-06-28	3	Mountain bicycle and (Mountain storm Mk1 or Brook trekker Mk9)
Drive train – Correlated fault	S1000DBIKE-AAA-DA4-10-00-00AA-414A-A	2019-06-28	2	Mountain bicycle and (Mountain storm Mk1 or Brook trekker Mk9)
Gears – Description of how it is made	S1000DBIKE-AAA-DA5-00-00-00AA-041A-A	2019-06-28	1	Mountain bicycle and (Mountain storm Mk1 or Brook trekker Mk9)
Mechs – Description of how it is made	S1000DBIKE-AAA-DA5-10-00-00AA-041A-A	2019-06-28	5	Mountain bicycle and (Mountain storm Mk1 or Brook trekker Mk9)
Hubs – Clean with chemical agent	S1000DBIKE-AAA-DA5-20-00-00AA-251C-A	C 2019-06-28	5	Mountain bicycle and (Mountain storm Mk1 or Brook trekker Mk9)
Shifters – Description of how it is made	S1000DBIKE-AAA-DA5-30-00-00AA-041A-A	2019-06-28	7	Mountain bicycle and (Mountain storm Mk1 or Brook trekker Mk9)
Section 2 – Brakes	S1000DBIKE-AAA-D00-00-00-02AA-001A-A	2022-12-31	1	All

Produced by Docuneering Ltd

Applicable to: Mountain bicycle and (Mountain storm Mk1 or Brook trekker Mk9)

S1000DBIKE-AAA-D00-00-00-00AA-002A-A

(Continued)

Document title	Data module code Publication module code	Issue date	No. of pages	Applicable to
Applicability cross-reference table	BRAKE-AAA-D00-00-00-00AA-00WA-D	2019-06-28	1	All
Brake system – Description of how it is made	BRAKE-AAA-DA1-00-00-00AA-041A-A	2019-06-28	8	
Brake system – Manual test	BRAKE-AAA-DA1-00-00-00AA-341A-A	2019-06-28	2	
Brake pads – Clean with rubbing alcohol	BRAKE-AAA-DA1-10-00-00AA-251A-A	2019-06-28	3	
Section 3 – Electrical Lighting System	S1000DBIKE-AAA-D00-00-00-03AA-001A-A	2022-12-31	1	All
Lighting – Functional item numbers common information repository	S1000DLIGHTING-AAA-D00-00-00-00AA-00EA-D	2019-06-28	6	Mountain bicycle and (Mountain storm Mk1 or Brook trekker Mk9)
Lighting – Parts common information repository	S1000DLIGHTING-AAA-D00-00-00-00AA-00GA-D	2019-06-28	7	Mountain bicycle and (Mountain storm Mk1 or Brook trekker Mk9)
Lighting – Zones common information repository	S1000DLIGHTING-AAA-D00-00-00-00AA-00HA-D	2019-06-28	2	Mountain bicycle and (Mountain storm Mk1 or Brook trekker Mk9)
Lighting – Support equipment common information repository	S1000DLIGHTING-AAA-D00-00-00-00AA-00NA-D	2019-06-28	7	Mountain bicycle and (Mountain storm Mk1 or Brook trekker Mk9)
Wiring data – Field description	S1000DLIGHTING-AAA-D00-00-00-00AA-029A-A	2019-06-28	1	
Electrical system – Description of how it is made and its function	S1000DLIGHTING-AAA-D00-00-00-00AA-040A-A	2019-06-28	2	
Wiring – Equipment lists	S1000DLIGHTING-AAA-D00-00-00-00AA-056A-A	N 2019-06-28	3	

Produced by Docuneering Ltd

Applicable to: Mountain bicycle and (Mountain storm Mk1 or Brook trekker Mk9)

S1000DBIKE-AAA-D00-00-00-00AA-002A-A

(Continued)

Document title	Data module code Publication module code	Issue date	No. of pages	Applicable to
Wiring – Wire list	S1000DLIGHTING-AAA-D00-00-00-00AA-057A-A	C 2019-06-28	7	
Wiring – Loom list	S1000DLIGHTING-AAA-D00-00-00-00AA-058A-A	C 2019-06-28	2	
Lighting – Functional and/or physical areas repository	S1000DLIGHTING-AAA-D00-00-00-00AA-0A1A-D	2019-06-28	11	All
Lighting – Applicability common information repository	S1000DLIGHTING-AAA-D00-00-00-00AA-0A2A-D	2019-06-28	3	All bicycles applicability
Lights – Manual test	S1000DLIGHTING-AAA-D00-00-00-00AA-341A-A	2019-06-28	2	
Lights – Observed fault	S1000DLIGHTING-AAA-D00-00-00-00AA-413A-A	2019-06-28	3	
Lighting – Assemble, install and connect procedures	S1000DLIGHTING-AAA-D00-00-00-00AA-700A-A	2019-06-28	3	
Lighting – Remove and install a new item	S1000DLIGHTING-AAA-D00-00-00-00AA-921A-A	2019-06-28	4	
Warning repository	S1000DLIGHTING-AAA-D00-00-00-01AA-012A-A	2019-06-28	1	
Light system – Illustrated Parts Data - IPD	S1000DLIGHTING-AAA-D00-00-00-01AA-941A-D	2019-06-28	3	
Caution repository	S1000DLIGHTING-AAA-D00-00-00-02AA-012A-A	2019-06-28	1	

Change record

The change record displays the issue history of the publication.

Issue number	Issue date	Issue number	Issue date
001	2022-12-31	002	2023-02-01

Intentionally left blank.

Highlights***Issue 002***

The listed changes are included in issue 002, dated 2023-02-01, of this publication.

Data module code	Reason for update
S1000DBIKE-AAA-D00-00-00-00AA-00TA-A	Up issue to 002

Intentionally left blank.

List of abbreviations

Abbreviation	Definition
None	

Intentionally left blank.

List of terms

Term	Definition
None	

Intentionally left blank.

List of symbols

Symbol	Definition
None	

Intentionally left blank.

Technical standard record

The following record confirms that this publication incorporates all technical changes necessitated by the following modifications listed below.

Mod No.	ESA 65
	ESA70
	ESA3690
	ESA7174
	DT28
	PA562
	PA569
	SE132
	TR20
	TR22
	TR23
Service bulletin	X4-A-00-21-00-05B-930A-A
	X4-A-00-21-00-06A-930A-A
	X4-A-00-22-00-11A-930A-A
	X4-A-00-23-00-05C-930A-A

Intentionally left blank.

Table of contents

The listed documents are included in issue 002, dated 2023-02-01, of this publication.

Document title	Data module code Publication module code	Issue date	No. of pages	Applicable to
Title page	S1000DBIKE-AAA-D00-00-00-00AA-001A-A	2022-12-31	2	All
Configuration	S1000DBIKE-AAA-D00-00-00-00AA-020A-A	2022-12-31	1	All
Copyright statements	S1000DBIKE-AAA-D00-00-00-00AA-021A-A	2022-12-31	1	All
Administrative and legal statements	S1000DBIKE-AAA-D00-00-00-00AA-023A-A	2022-12-31	1	All
Safety statements	S1000DBIKE-AAA-D00-00-00-00AA-012A-A	2022-12-31	1	All
Change record	S1000DBIKE-AAA-D00-00-00-00AA-00TA-A	2022-12-31	1	All
Technical standard record	S1000DBIKE-AAA-D00-00-00-00AA-008A-A	2022-12-31	1	All
Products cross-reference table	S1000DBIKE-AAA-D00-00-00-00AA-00PA-D	2019-06-28	2	All
Conditions cross-reference table	S1000DBIKE-AAA-D00-00-00-00AA-00QA-D	2019-06-28	2	All
Applicability cross-reference table	S1000DBIKE-AAA-D00-00-00-00AA-00WA-D	2019-06-28	2	All
Introduction	S1000DBIKE-AAA-D00-00-00-00AA-018A-A	2022-12-31	1	All
Section 1 – Bicycle	S1000DBIKE-AAA-D00-00-00-01AA-001A-A	2022-12-31	1	All
Bicycle – Controls and Indicators	S1000DBIKE-AAA-D00-00-00-00AA-00XA-A	2019-06-28	3	All
Mountain bicycle – Business rules exchange	S1000DBIKE-AAA-D00-00-00-00AA-022A-D	2019-06-28	11	
Bicycle – Description of how it is made	S1000DBIKE-AAA-D00-00-00-00AA-041A-A	2019-06-28	3	Mountain bicycle and (Mountain storm Mk1 or Brook trekker Mk9)

(Continued)

Document title	Data module code Publication module code	Issue date	No. of pages	Applicable to
Bicycle – Description of function	S1000DBIKE-AAA-D00-00-00-00AA-042A-A	2019-06-28	3	Mountain bicycle and (Mountain storm Mk1 or Brook trekker Mk9)
Bicycle – Description attributed to crew	S1000DBIKE-AAA-D00-00-00-00AA-043A-A	2019-06-28	2	Mountain bicycle and (Mountain storm Mk1 or Brook trekker Mk9)
Mountain bicycle – Applicability cross-reference table catalog	S1000DBIKE-AAA-D00-00-00-00AA-0A3A-D	2019-06-28	2	All
Bicycle – Pre-operation procedures (crew)	S1000DBIKE-AAA-D00-00-00-00AA-121A-A	2019-06-28	6	Mountain bicycle and (Mountain storm Mk1 or Brook trekker Mk9)
Bicycle – Riding a bicycle	S1000DBIKE-AAA-D00-00-00-00AA-130A-A	2019-06-28	1	
Bicycle – Normal operation procedures (crew)	S1000DBIKE-AAA-D00-00-00-00AA-131A-A	2019-06-28	3	Mountain bicycle and (Mountain storm Mk1 or Brook trekker Mk9)
Bicycle – Post-operation procedures (crew)	S1000DBIKE-AAA-D00-00-00-00AA-151A-A	2019-06-28	3	Mountain bicycle and (Mountain storm Mk1 or Brook trekker Mk9)
Bicycle – Servicing: Prerequisite concept review	S1000DBIKE-AAA-D00-00-00-00AA-200A-T-T36D	2019-06-28	1	
Bicycle – Other procedures to clean	S1000DBIKE-AAA-D00-00-00-00AA-258A-A	2019-06-28	8	Mountain bicycle and (Mountain storm Mk1 or Brook trekker Mk9)

(Continued)

Document title	Data module code Publication module code	Issue date	No. of pages	Applicable to
Bicycle – Other procedures to clean	S1000DBIKE-AAA-D00-00-00-00AA-258B-A	2019-06-28	8	Mountain bicycle and (Mountain storm Mk1 or Brook trekker Mk9)
Bicycle – Place on test stand	S1000DBIKE-AAA-D00-00-00-00AA-330A-A	2019-06-28	2	Mountain bicycle and (Mountain storm Mk1 or Brook trekker Mk9)
Bicycle – Standard repair procedures	S1000DBIKE-AAA-D00-00-00-00AA-663A-A	2019-06-28	13	Mountain bicycle and (Mountain storm Mk1 or Brook trekker Mk9)
Bicycle – Performance support	S1000DBIKE-AAA-D00-00-00-00AA-952A-T-H31A	2019-06-28	1	
Bicycle – Illustrated Parts Data - IPD	S1000DBIKE-AAA-D00-00-00-01AA-941A-D	2019-06-28	3	Mountain bicycle and (Mountain storm Mk1 or Brook trekker Mk9)
Fork – Manual test	S1000DBIKE-AAA-D00-00-01-00AA-341A-A	2019-06-28	3	Mountain bicycle and (Mountain storm Mk1 or Brook trekker Mk9)
Fork – Remove procedures	S1000DBIKE-AAA-D00-00-01-00AA-520A-A	2019-06-28	3	Mountain bicycle and (Mountain storm Mk1 or Brook trekker Mk9)
Fork – Install procedures	S1000DBIKE-AAA-D00-00-01-00AA-720A-A	2019-06-28	3	Mountain bicycle and Mountain storm Mk1

(Continued)

Document title	Data module code Publication module code	Issue date	No. of pages	Applicable to
Bicycle – Service Bulletin - Replacement of standard forward fork by telescopic fork	S1000DBIKE-AAA-D00-00-01-00AA-930A-A	2019-06-28	11	Mountain bicycle and (Mountain storm Mk1 or Brook trekker Mk9)
Fork – Replacement procedure	S1000DBIKE-AAA-D00-00-01-00AA-933A-A	2019-06-28	4	Mountain bicycle and (Mountain storm Mk1 or Brook trekker Mk9)
Bicycle axis – Modification procedures	S1000DBIKE-AAA-D00-00-01-00AA-93AA-A	2019-06-28	2	Mountain bicycle and (Mountain storm Mk1 or Brook trekker Mk9)
Fork – Install procedures	S1000DBIKE-AAA-D00-00-01-00AB-720A-A	2019-06-28	3	Mountain bicycle and Brook trekker Mk9
Bicycle – Time limits	S1000DBIKE-AAA-D05-10-00-00AA-000A-A	2019-06-28	1	Mountain bicycle and (Mountain storm Mk1 or Brook trekker Mk9)
Bicycle – Scheduled maintenance lists	S1000DBIKE-AAA-D05-20-00-00AA-000A-A	2019-06-28	12	Mountain bicycle and (Mountain storm Mk1 or Brook trekker Mk9)
Bicycle – Scheduled maintenance checks	S1000DBIKE-AAA-D05-40-00-00AA-000A-A	2019-06-28	2	Mountain bicycle and (Mountain storm Mk1 or Brook trekker Mk9)
Bicycle – Maintenance Allocation Chart	S1000DBIKE-AAA-D05-80-00-00AA-916A-A	2019-06-28	9	Mountain bicycle and (Mountain storm Mk1 or Brook trekker Mk9)

Produced by Docuneering Ltd

Applicable to: Mountain bicycle and (Mountain storm Mk1 or Brook trekker Mk9)

S1000DBIKE-AAA-D00-00-00-00AA-009A-A

(Continued)

Document title	Data module code Publication module code	Issue date	No. of pages	Applicable to
Wheel – Description of how it is made	S1000DBIKE-AAA-DA0-00-00-00AA-041A-A	2019-06-28	7	Mountain bicycle and (Mountain storm Mk1 or Brook trekker Mk9)
Wheels – Description of how it is made: Knowledge Check	S1000DBIKE-AAA-DA0-00-00-00AA-041A-T-T61E	2019-06-28	1	
Inner tube – Remove and install a new item	S1000DBIKE-AAA-DA0-10-10-00AA-921A-A	2019-06-28	4	Mountain bicycle and (Mountain storm Mk1 or Brook trekker Mk9)
Tire – Fill with air	S1000DBIKE-AAA-DA0-10-20-00AA-215A-A	2019-06-28	3	Mountain bicycle and (Mountain storm Mk1 or Brook trekker Mk9)
Tire – Check pressure	S1000DBIKE-AAA-DA0-10-20-00AA-362B-A	2019-06-28	3	Mountain bicycle and (Mountain storm Mk1 or Brook trekker Mk9)
Front wheel – Fault reports and isolation procedures	S1000DBIKE-AAA-DA0-10-20-00AA-400A-A	2019-06-28	3	Mountain bicycle and (Mountain storm Mk1 or Brook trekker Mk9)
Front wheel – Remove procedures: Interactive content - Procedure	S1000DBIKE-AAA-DA0-10-20-00AA-520A-T-T4JC	2019-06-28	1	
Tire – Remove and install a new item	S1000DBIKE-AAA-DA0-10-20-00AA-921A-A	2019-06-28	3	Mountain bicycle and (Mountain storm Mk1 or Brook trekker Mk9)

Produced by Docuneering Ltd

Applicable to: Mountain bicycle and (Mountain storm Mk1 or Brook trekker Mk9)

S1000DBIKE-AAA-D00-00-00-00AA-009A-A

(Continued)

Document title	Data module code Publication module code	Issue date	No. of pages	Applicable to
Rear wheel – Detected fault	S1000DBIKE-AAA-DA0-20-00-00AA-412A-A	2019-06-28	2	Mountain bicycle and (Mountain storm Mk1 or Brook trekker Mk9)
Rear wheel – Remove procedures	S1000DBIKE-AAA-DA0-20-00-00AA-520A-A	2019-06-28	2	Mountain bicycle and (Mountain storm Mk1 or Brook trekker Mk9)
Front wheel – Remove procedures	S1000DBIKE-AAA-DA0-30-00-00AA-520A-A	2019-06-28	2	Mountain bicycle and (Mountain storm Mk1 or Brook trekker Mk9)
Front wheel – Install procedures	S1000DBIKE-AAA-DA0-30-00-00AA-720A-A	2019-06-28	2	Mountain bicycle and (Mountain storm Mk1 or Brook trekker Mk9)
Brake system – Description of how it is made	S1000DBIKE-AAA-DA1-00-00-00AA-041A-A	2019-06-28	8	Mountain bicycle and (Mountain storm Mk1 or Brook trekker Mk9)
Brake system – Manual test	S1000DBIKE-AAA-DA1-00-00-00AA-341A-A	2019-06-28	2	Mountain bicycle and (Mountain storm Mk1 or Brook trekker Mk9)
Brake pads – Clean with rubbing alcohol	S1000DBIKE-AAA-DA1-10-00-00AA-251A-A	2019-06-28	3	Mountain bicycle and (Mountain storm Mk1 or Brook trekker Mk9)

(Continued)

Document title	Data module code Publication module code	Issue date	No. of pages	Applicable to
Front brake – Remove procedures	S1000DBIKE-AAA-DA1-20-00-00AA-520A-A	2019-06-28	2	Mountain bicycle and (Mountain storm Mk1 or Brook trekker Mk9)
Front brake – Install procedures	S1000DBIKE-AAA-DA1-20-00-00AA-720A-A	2019-06-28	2	Mountain bicycle and (Mountain storm Mk1 or Brook trekker Mk9)
Steering – Description of how it is made	S1000DBIKE-AAA-DA2-00-00-00AA-041A-A	2019-06-28	2	Mountain bicycle and (Mountain storm Mk1 or Brook trekker Mk9)
Steering – Description of how it is made: Knowledge Check	S1000DBIKE-AAA-DA2-10-00-00AA-041A-T-T62E	2019-06-28	1	
Stem – Remove procedures	S1000DBIKE-AAA-DA2-10-00-00AA-520A-A	2019-06-28	4	Mountain bicycle and (Mountain storm Mk1 or Brook trekker Mk9)
Stem – Install procedures	S1000DBIKE-AAA-DA2-10-00-00AA-720A-A	2019-06-28	7	Mountain bicycle and (Mountain storm Mk1 or Brook trekker Mk9)
Handlebar – Remove procedures	S1000DBIKE-AAA-DA2-20-00-00AA-520A-A	2019-06-28	7	Mountain bicycle and (Mountain storm Mk1 or Brook trekker Mk9)
Handlebar – Install procedures	S1000DBIKE-AAA-DA2-20-00-00AA-720A-A	2019-06-28	3	Mountain bicycle and (Mountain storm Mk1 or Brook trekker Mk9)

Produced by Docuneering Ltd

Applicable to: Mountain bicycle and (Mountain storm Mk1 or Brook trekker Mk9)

S1000DBIKE-AAA-D00-00-00-00AA-009A-A

(Continued)

Document title	Data module code Publication module code	Issue date	No. of pages	Applicable to
Headset – Description of how it is made	S1000DBIKE-AAA-DA2-30-00-00AA-041A-A	2019-06-28	3	Mountain bicycle and (Mountain storm Mk1 or Brook trekker Mk9)
Headset – Remove procedures	S1000DBIKE-AAA-DA2-30-00-00AA-520A-A	2019-06-28	4	Mountain bicycle and (Mountain storm Mk1 or Brook trekker Mk9)
Headset – Install procedures	S1000DBIKE-AAA-DA2-30-00-00AA-720A-A	2019-06-28	3	Mountain bicycle and (Mountain storm Mk1 or Brook trekker Mk9)
Spacer – Install procedures	S1000DBIKE-AAA-DA2-40-00-00AA-720A-A	2019-06-28	2	Mountain bicycle and Mountain storm Mk1
Frame – Description of how it is made	S1000DBIKE-AAA-DA3-00-00-00AA-041A-A	2019-06-28	3	Mountain bicycle and (Mountain storm Mk1 or Brook trekker Mk9)
Horn – Isolated fault	S1000DBIKE-AAA-DA3-10-00-00AA-411A-A	2019-06-28	2	Mountain bicycle and (Mountain storm Mk1 or Brook trekker Mk9)
Horn – Remove and install a new item	S1000DBIKE-AAA-DA3-10-00-00AA-921A-A	2019-06-28	3	Mountain bicycle and (Mountain storm Mk1 or Brook trekker Mk9)
Drivetrain – Description of how it is made	S1000DBIKE-AAA-DA4-00-00-00AA-041A-A	2019-06-28	1	Mountain bicycle and (Mountain storm Mk1 or Brook trekker Mk9)

(Continued)

Document title	Data module code Publication module code	Issue date	No. of pages	Applicable to
Chain – Oil	S1000DBIKE-AAA-DA4-10-00-00AA-241A-A	2019-06-28	10	All
Chain – Clean with chemical agent	S1000DBIKE-AAA-DA4-10-00-00AA-251B-A	2019-06-28	3	Mountain bicycle and (Mountain storm Mk1 or Brook trekker Mk9)
Drive train – Correlated fault	S1000DBIKE-AAA-DA4-10-00-00AA-414A-A	2019-06-28	2	Mountain bicycle and (Mountain storm Mk1 or Brook trekker Mk9)
Gears – Description of how it is made	S1000DBIKE-AAA-DA5-00-00-00AA-041A-A	2019-06-28	1	Mountain bicycle and (Mountain storm Mk1 or Brook trekker Mk9)
Mechs – Description of how it is made	S1000DBIKE-AAA-DA5-10-00-00AA-041A-A	2019-06-28	5	Mountain bicycle and (Mountain storm Mk1 or Brook trekker Mk9)
Hubs – Clean with chemical agent	S1000DBIKE-AAA-DA5-20-00-00AA-251C-A	2019-06-28	5	Mountain bicycle and (Mountain storm Mk1 or Brook trekker Mk9)
Shifters – Description of how it is made	S1000DBIKE-AAA-DA5-30-00-00AA-041A-A	2019-06-28	7	Mountain bicycle and (Mountain storm Mk1 or Brook trekker Mk9)
Section 2 – Brakes	S1000DBIKE-AAA-D00-00-00-02AA-001A-A	2022-12-31	1	All
Applicability cross-reference table	BRAKE-AAA-D00-00-00-00AA-00WA-D	2019-06-28	1	All
Brake system – Description of how it is made	BRAKE-AAA-DA1-00-00-00AA-041A-A	2019-06-28	8	

Produced by Docuneering Ltd

Applicable to: Mountain bicycle and (Mountain storm Mk1 or Brook trekker Mk9)

S1000DBIKE-AAA-D00-00-00-00AA-009A-A

(Continued)

Document title	Data module code Publication module code	Issue date	No. of pages	Applicable to
Brake system – Manual test	BRAKE-AAA-DA1-00-00-00AA-341A-A	2019-06-28	2	
Brake pads – Clean with rubbing alcohol	BRAKE-AAA-DA1-10-00-00AA-251A-A	2019-06-28	3	
Section 3 – Electrical Lighting System	S1000DBIKE-AAA-D00-00-00-03AA-001A-A	2022-12-31	1	All
Lighting – Functional item numbers common information repository	S1000DLIGHTING-AAA-D00-00-00-00AA-00EA-D	2019-06-28	6	Mountain bicycle and (Mountain storm Mk1 or Brook trekker Mk9)
Lighting – Parts common information repository	S1000DLIGHTING-AAA-D00-00-00-00AA-00GA-D	2019-06-28	7	Mountain bicycle and (Mountain storm Mk1 or Brook trekker Mk9)
Lighting – Zones common information repository	S1000DLIGHTING-AAA-D00-00-00-00AA-00HA-D	2019-06-28	2	Mountain bicycle and (Mountain storm Mk1 or Brook trekker Mk9)
Lighting – Support equipment common information repository	S1000DLIGHTING-AAA-D00-00-00-00AA-00NA-D	2019-06-28	7	Mountain bicycle and (Mountain storm Mk1 or Brook trekker Mk9)
Wiring data – Field description	S1000DLIGHTING-AAA-D00-00-00-00AA-029A-A	2019-06-28	1	
Electrical system – Description of how it is made and its function	S1000DLIGHTING-AAA-D00-00-00-00AA-040A-A	2019-06-28	2	
Wiring – Equipment lists	S1000DLIGHTING-AAA-D00-00-00-00AA-056A-A	2019-06-28	3	
Wiring – Wire list	S1000DLIGHTING-AAA-D00-00-00-00AA-057A-A	2019-06-28	7	
Wiring – Loom list	S1000DLIGHTING-AAA-D00-00-00-00AA-058A-A	2019-06-28	2	
Lighting – Functional and/or physical areas repository	S1000DLIGHTING-AAA-D00-00-00-00AA-0A1A-D	2019-06-28	11	All

Produced by Docuneering Ltd

Applicable to: Mountain bicycle and (Mountain storm Mk1 or Brook trekker Mk9)

S1000DBIKE-AAA-D00-00-00-00AA-009A-A

(Continued)

Document title	Data module code Publication module code	Issue date	No. of pages	Applicable to
Lighting – Applicability common information repository	S1000DLIGHTING-AAA-D00-00-00-00AA-0A2A-D	2019-06-28	3	All bicycles applicability
Lights – Manual test	S1000DLIGHTING-AAA-D00-00-00-00AA-341A-A	2019-06-28	2	
Lights – Observed fault	S1000DLIGHTING-AAA-D00-00-00-00AA-413A-A	2019-06-28	3	
Lighting – Assemble, install and connect procedures	S1000DLIGHTING-AAA-D00-00-00-00AA-700A-A	2019-06-28	3	
Lighting – Remove and install a new item	S1000DLIGHTING-AAA-D00-00-00-00AA-921A-A	2019-06-28	4	
Warning repository	S1000DLIGHTING-AAA-D00-00-00-01AA-012A-A	2019-06-28	1	
Light system – Illustrated Parts Data - IPD	S1000DLIGHTING-AAA-D00-00-00-01AA-941A-D	2019-06-28	3	
Caution repository	S1000DLIGHTING-AAA-D00-00-00-02AA-012A-A	2019-06-28	1	

Intentionally left blank.

List of applicable specifications and documentation

Technical publication	Title
D6-1234	Local Disposal Procedures My PublicationD6-1234January 2007Rev 1
S1000DBIKE-B6865- SAFE1-00	Safety Handbook - Greasy Bikes
SafeS-12-156B	Sticky stuff - Safety sheetSafeS-12-156B2014

Intentionally left blank.

List of support equipment

Name	Identifiacion/ Reference	Manufacturer
- Saw tool set		
8mm Allen wrench	BSK-TLST-001-08	KZ666
Chain cleaning fluid	LL-003	KZ222
Chain cleaning tool	BSK-TLST-001-03	KZ666
Clean dry cloth	BSK-TLST-001-12	KZ666
Extra firm hold hairspray	HSP-D001	HS111
Floor covering	PPP-001	KK999
Foot pump	BSK-TLST-001-05	KZ666
Marker pen	BSK-TLST-001-07	KZ666
Saw tool set		
- Saw tool	BSK-TW-100	KZ666
- Threading tool	BSK-THR-3001	KZ666
Set of Allen wrenches	BSK-TLST-001-13	KZ666
Special Toolset		
- Screwdriver		
Specialist toolset	BSK-TLST-001	KZ666
Sponge	BSK-TLST-001-11	KZ666
Stiff bristle brush	BSK-TLST-001-02	KZ666
Test stand	BSK-TLST-999-01	KZ666
Tire lever	BSK-TLST-001-04	KZ666
Tire pressure gauge	BSK-TLST-001-01	KZ666
Water hose	BSK-TLST-001-09	KZ666
Work stand	Stand-001	KZ555
Work stand	Stand-001	Bikey
Work stand	Stand-001	Stand

Intentionally left blank.

List of supplies

Name	Identifiacion/ Reference	Manufacturer
ACME Middling Detergent 69	BSK-TLST-023-14	KZ666
ACME sticky lube 52B	LL-007	KZ222
ACME super 45 Agent	LL-004	KZ222
AECMA Heavy duty Oil 1988	HD1988	B6865
BoeBus DeLux Detergent No.6	BSK-TLST-001-15	KZ666
Floor covering		
General grease	LL-005	KZ222
General lubricant	LL-001	KZ222
Rubbing alcohol	LL-002	KZ222

Intentionally left blank.

List of spares

Name	Identifiacion/ Reference	Manufacturer
Brake cable hangar	BR-LVRS-002	KT444
Brake lever	BR-LVRS-001	KT444
Brake lever mount	BR-LVRS-001-01	KT444
Bulb	LIRUS-L1-11 CSN D00-00-00 Fig 01A Item 01000A	KZ777
Conical expansion washer	St-001-05	KZ555
Dust seal	St-001-04	KZ555
Fork		
- Fork		
Fork		
- Fork		
Fork set	SPA-1000-1	KZ666
- Fork	FK-TEL1001	KZ666
Fork set		
- Fork set		
Frame fork	St-001-02	KZ555
Glass	LIRUS-G1-10 CSN D00-00-00 Fig 01A Item 02200A	KZ777
Glass	LIRUS-G1-10H CSN D00-00-00 Fig 01A Item 02300A	KZ777
- Glass	LIRUS-G1-10	KZ777
Handlebar	Hd-001	KZ555
Handlebar grips	Hd-001-01	KZ555
Handlebar plug	Hd-001-02	KZ555
Inner-tube	IT-001	KT222
Kit		
- Bulb ^[1]	LIRUS-B1-12F	KZ777
- Bulb ^[1]	LIRUS-B1-12R	KZ777
Shifter lever	SI-001	KZ555
Stem	St-001	KZ555
Stem bolt	St-001-01	KZ555

Note 1: Make sure that the new bulb is not cracked.

Applicable to: Mountain bicycle
and (Mountain storm Mk1 or
Brook trekker Mk9)

S1000DBIKE-AAA-D00-00-00-00AA-00DA-A

(Continued)

Name	Identifiacion/ Reference	Manufacturer
Tire	TIRES-010101	KT666
Upper bearing cup	St-001-03	KZ555
Wheel axis	BSK-AXS-2001	KZ666
- Wheel axis	BSK-AXS-2000	KZ666

Note 1: Make sure that the new bulb is not cracked.

List of illustrations

Data module code	Figure	Title
S1000DBIKE-AAA-D00-00-00-00AA-00XA-A	Fig 1	Bicycle Controls and Indicators
S1000DBIKE-AAA-D00-00-00-00AA-041A-A	Fig 1	Complete bicycle
S1000DBIKE-AAA-D00-00-00-00AA-121A-A	Fig 1	Hydraulic brake function
	Fig 2	Brake pad seating
S1000DBIKE-AAA-D00-00-00-00AA-258A-A	Fig 1	Cleaning the bike
	Fig 2	Degreasing the freehub
S1000DBIKE-AAA-D00-00-00-00AA-258B-A	Fig 1	Cleaning the bike
	Fig 2	Degreasing the freehub
S1000DBIKE-AAA-D00-00-00-00AA-663A-A	Fig 1	Unseating the tire with a tire lever
	Fig 2	Circle leak
	Fig 3	Sanding the application area
	Fig 4	Apply glue to application area
	Fig 5	Apply pressure to tube
S1000DBIKE-AAA-D00-00-00-01AA-941A-D	Fig 1	Bicycle
S1000DBIKE-AAA-DA0-00-00-00AA-041A-A	Fig 1	Parts of the wheel
	Fig 2	The tire and rim
	Fig 3	Valve
S1000DBIKE-AAA-DA0-10-10-00AA-921A-A	Fig 1	Removing the inner tube
S1000DBIKE-AAA-DA1-00-00-00AA-041A-A	Fig 1	Cantilever brake with straddle cable
	Fig 2	Exploded diagram of a brake
	Fig 3	Typical components of a mountain bicycle lever
S1000DBIKE-AAA-DA2-10-00-00AA-520A-A	Fig 1	Remove the bolt
S1000DBIKE-AAA-DA2-10-00-00AA-720A-A	Fig 1	Lubricate the thread
	Fig 2	Tighten the bolt
S1000DBIKE-AAA-DA2-20-00-00AA-520A-A	Fig 1	Loosen the clamp screw with the Allen wrench
	Fig 2	Loosen the clamp bolt
S1000DBIKE-AAA-DA2-30-00-00AA-041A-A	Fig 1	Headset
S1000DBIKE-AAA-DA2-30-00-00AA-520A-A	Fig 1	Lift the upper bearing cup
S1000DBIKE-AAA-DA3-00-00-00AA-041A-A	Fig 1	Welded frame joints
	Fig 2	Frame
S1000DBIKE-AAA-DA4-10-00-00AA-241A-A	Fig 1	Derailleur pivots
	Fig 2	Derailleur tension

(Continued)

Data module code	Figure	Title
	Fig 3	Brake lever pivots
	Fig 4	Lubricate the chain
S1000DBIKE-AAA-DA5-10-00-00AA-041A-A	Fig 1	Front derailleur
	Fig 2	Rear derailleur
S1000DBIKE-AAA-DA5-20-00-00AA-251C-A	Fig 1	Removing the axle
S1000DBIKE-AAA-DA5-30-00-00AA-041A-A	Fig 1	Thumb shifter index type
	Fig 2	Unscrew wingnut
	Fig 3	Loosen the nut
	Fig 4	Loosen the shifter clamp bolt
BRAKE-AAA-DA1-00-00-00AA-041A-A	Fig 1	Cantilever brake with straddle cable
	Fig 2	Exploded diagram of a brake
	Fig 3	Typical components of a mountain bicycle lever
S1000DLIGHTING-AAA-D00-00-00-00AA-040A-A	Fig 1	Lighting system
S1000DLIGHTING-AAA-D00-00-00-01AA-941A-D	Fig 1	Light system

Product cross-reference table

Table 1 List of product instances

Identifier	Type	Value
Product instance		
SerialNo	Product attribute	1B070643
model	Product attribute	Brook trekker
version	Product attribute	Mk9
versrank	Product attribute	2
SB-S001	Condition	Pre
Product instance		
SerialNo	Product attribute	1B070644
model	Product attribute	Brook trekker
version	Product attribute	Mk9
versrank	Product attribute	1
SB-S001	Condition	Post
Product instance		
SerialNo	Product attribute	1B070701
model	Product attribute	Mountain storm
version	Product attribute	Mk1
versrank	Product attribute	1
SB-S001	Condition	Pre

Intentionally left blank.

Condition cross-reference table

Table 1 Common types of conditions

Name	Description	Data type	Values
Id		Value pattern	
Service bulletin SB	Generic service bulletin type	String	PRE POST-001~POST-999
generic Boolean condition Boolean	Boolean condition	String	True False

Table 2 Conditions

Name	Condition type	Description	Data type	References	Dependency
Display name (Id)	Alias	Prompt	Value pattern	Condition ref group	
Service bulletin S001 - Chain guard (SB-S001)	SB	Service bulletin S001 for the installation of the chain guard	String	S1000DBIKE-AAA-DA0-20-00-00AA-520A-A	Values: POST-001 Applic: A-1
tour finished (tourFinished)	Boolean	finished tour	String		

Table 3 Incorporation

Id	Issue No.	References	Date	Status
SB-S001	00	S1000DBIKE-AAA-DA0-20-00-00AA-520A-A	2007-07-31	Incorporated
SB-S001	01	S1000DBIKE-AAA-DA0-20-00-00AA-520A-A		No effect

Intentionally left blank.

Applicability cross-reference table

Conditions cross-reference table: [S1000DBIKE-AAA-D00-00-00-00AA-00QA-D](#)

Products cross-reference table: [S1000DBIKE-AAA-D00-00-00-00AA-00PA-D](#)

Table 1 Product attribute list

Name	Description	Data type	Values
Display name (Id)		Value pattern	
Serial number SN (SerialNo)	Serial number (etched on the frame) (Hint: Serial Number (locate under the bottom bracket where the two pedal cranks meet))	String	
Type (type)	Type of bike	String	
Model (model)	Model of the bike	String .*	Brook trekker Mountain storm
Version (version)	Version of the bike	String Mk(1 9)	Mk1 Mk9
Version rank series (versrank)	Version rank	Integer	1~3
Brake Serial number BSN (brakeSerialno)	Serial number on the brake	String	
<i>External product attribute</i> Brake model - The model of the brake in a bike (brakeModel)		String	

Intentionally left blank.

Introduction

1 Introduction goes here...

Intentionally left blank.

Section 1

Bicycle

Intentionally left blank.

Bicycle

Controls and Indicators

Table of contents

	Page
Controls and Indicators	1
References	1
General information	1
Controls and indicators repository	2

List of tables

1	References	1
---	------------------	---

List of figures

1	Bicycle Controls and Indicators	2
---	---------------------------------------	---

References

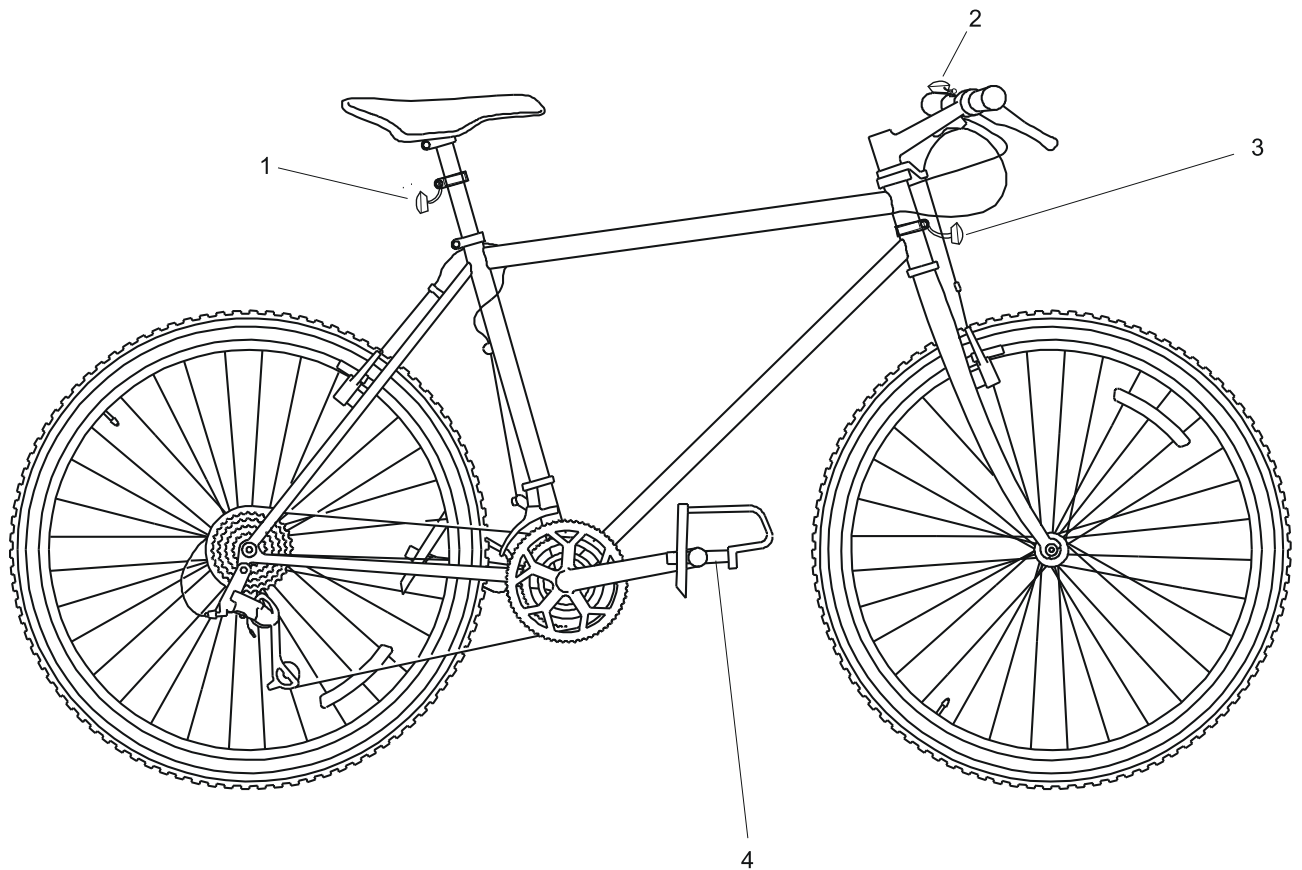
Table 1 References

Data module / Technical publication	Title
None	

General information

1 Introduction

The following table(s) and illustration(s) provide the description and use of the controls and indicators pertaining to the mountain bicycle(s). Some controls and indicators may differ depending on the model.



ICN-07GB6-BIKECI0001-001-01

Fig 1 Bicycle Controls and Indicators

Controls and indicators repository

1 Control or indicator group

References:..... Fig 1

1.1 ci-0001

Key:..... 1

Name:..... LED Taillight

Description

Control or indicator functions:

- Lights illuminate automatically when brakes are engaged.

1.2 ci-0002

Key:..... 2

Name:..... Chrome Bell

Description

Control or indicator functions:

- Press to sound bell. Normally used to signal a need for attention.

1.3 ci-0003

Key:..... 3

Name:..... LED Headlight

Description

Control or indicator functions:

- Push button to turn light **on** or **off**.

1.4 ci-0004

Key:..... 4

Name:..... Platform Pedals

Description

Control or indicator functions:

- Control the acceleration of the bicycle.

Intentionally left blank.

Mountain bicycle

Business rules exchange

Table of contents

	Page
Business rules exchange	1
References	1
General information	1
Business rules exchange	1
Context rules	2
Non context rules	11

List of tables

1	References	1
2	Context rules	2

References

Table 1 References

Data module / Technical publication	Title
None	

Business rules exchange

General information

Introduction to the Bike BREX DM

The Bike BREX data module has primarily been developed to

- serve as an example of how a BREX data module is meant to be used
- to control and guide the continuous development of the Bike data set

The Bike BREX will be subject of continuous enhancements to ensure that each new specification issue is appropriately represented in the BREX module.

Context rules

Table 2 Context rules

No.	[Allowed object flag] Object path/Notation name	Object use	Object value [Tailoring]	Meaning
1	[2] //dmAddress/dmIdent/dmCode/@modelIdentCode Bike model identification		S1000DBIKE [Closed]	S1000D Bike platform
			S1000DLIGHTING [Closed]	S1000D Bike light system
			BRAKE [Closed]	S1000D Brake system
2	[2] //dmAddress/dmIdent/dmCode/@systemCode Systems (Bike specific SNS)		D00~D09	
			DA0~DA9	
3	[2] //dmAddress/dmIdent/dmCode/@subSystemCode Subsystems (Bike specific SNS)		0~9	
4	[2] //dmAddress/dmIdent/dmCode/@subSubsystemCode Subsubsystems		0~9	
5	[2] //dmAddress/dmIdent/dmCode/@assyCode Units or assembly		00~99	
6	[2] //dmAddress/dmIdent/dmCode/@infoCode Bike information codes		000 [Closed]	Function, data for plans and description
			001 [Restrictable]	Title page
			002 [Restrictable]	List of pages or data modules See also code 00R and code 00S
			009 [Restrictable]	Table of contents
			00E [Restrictable]	Functional item numbers common information repository
			00G [Restrictable]	Parts common information repository
			00H [Restrictable]	Zones common information repository
			00N [Restrictable]	Support equipment common information repository
			00P [Restrictable]	Product Cross-reference Table (PCT)
			00Q [Restrictable]	Conditions Cross-reference Table (CCT)
	00W [Restrictable]	Applicability Cross-reference Table (ACT)		
	00X [Restrictable]	Controls and indicators common information repository		

Produced by Docuneering Ltd

Applicable to:

S1000DBIKE-AAA-D00-00-00-00AA-022A-D

Table 2 Context rules (Continued)

No.	[Allowed object flag] Object path/Notation name	
	Object use	Object value [Tailoring] Meaning
		0A1 [Restrictable] Functional and/or physical areas repository
		0A2 [Restrictable] Applicability repository
		0A3 [Restrictable] Applicability cross reference catalog
		012 [Restrictable] General warnings and cautions and related safety data
		018 [Closed] Introduction
		022 [Closed] Business rules
		024 [Closed] Business rules document
		028 [Closed] General
		029 [Closed] Data structure
		040 [Closed] Description
		041 [Closed] Description of how it is made
		042 [Closed] Description of function
		043 [Closed] Description of function attributed to crew (functional breakdown)
		056 [Closed] Equipment list
		057 [Closed] Wire list
		058 [Closed] Harness list
		100 [Closed] Operation
		121 [Closed] Pre-operation procedure
		130 [Restrictable] Normal operation
		131 [Closed] Normal operation procedure
		151 [Closed] Post-operation procedure
		200 [Closed] Servicing
		215 [Closed] Fill with air
		241 [Closed] Oil
		251 [Closed] Clean with chemical agent
		258 [Closed] Other procedure to clean
		310 [Closed] Visual examination
		330 [Closed] Test preparation
		341 [Closed] Manual test
		362 [Closed] Pressure check
		400 [Closed] Fault reports and isolation procedures

Produced by Docuneering Ltd

Applicable to:

S1000DBIKE-AAA-D00-00-00-00AA-022A-D

Table 2 Context rules (Continued)

No.	[Allowed object flag] Object path/Notation name		
	Object use	Object value [Tailoring]	Meaning
		411 [Closed]	Isolated fault
		412 [Closed]	Detected fault
		413 [Closed]	Observed fault
		414 [Closed]	Correlated fault
		520 [Closed]	Remove procedure
		663 [Closed]	Standard repair procedure
		700 [Closed]	Assemble, install and connect procedures
		720 [Closed]	Install procedure
		913 [Closed]	General maintenance procedure
		916 [Restrictable]	Maintenance allocation
		920 [Closed]	Change = Remove and install
		921 [Closed]	Change = Remove and install a new item
		930 [Restrictable]	Service Bulletin
		933 [Restrictable]	Accomplishment instruction
		93A [Restrictable]	Modification procedures
		941 [Closed]	Illustrated parts data
		952 [Restrictable]	Generic learning content
7	[0] //descendant-or-self::orderedList[not(ancestor-or-self::description)] Sequential (numbered) lists not allowed unless in descriptive data modules		
8	[0] //note[ancestor-or-self::warning] Notes are not allowed in Warnings		
9	[0] //warning/orderedList Ordered lists are not allowed in Warnings		
10	[0] //warning/definitionList Definition lists are not allowed in Warnings		
11	[0] //warning/randomList/listItem/randomList Random lists must not be nested within Warnings		

Table 2 Context rules (Continued)

No.	[Allowed object flag] Object path/Notation name	Object use	Object value [Tailoring]	Meaning
12	[0] //warning/randomList/title	Random list titles are not allowed in Warnings		
13	[0] //note[ancestor-or-self::caution]	Notes are not allowed in Cautions		
14	[0] //caution/orderedList	Ordered lists are not allowed in Cautions		
15	[0] //caution/definitionList	Definition lists are not allowed in Cautions		
16	[0] //caution/randomList/listItem/randomList	Random lists must not be nested within Cautions		
17	[0] //caution/randomList/title	Random list titles are not allowed in Cautions		
18	[2] //@accessPointTypeValue	Type of access point	accpn101 [Closed] accpn102 [Closed] accpn103 [Closed]	Access is a door Access is a panel Access is an electrical panel
19	[2] //acronym/@acronymtype	Type of acronym or abbreviation	at01 [Closed] at02 [Closed] at03 [Closed] at04 [Closed]	Acronym (Candidate for list of abbreviations) - Default value Term (Candidate for list of terms) Symbol (Candidate for list of symbols) Spec (Candidate for list of applicable specs)
20	[2] //dialog/@cancelCaption	Caption for dialog cancel function	ca01 [Closed] ca02 [Closed] ca03 [Closed] ca04 [Closed] ca05 [Closed]	Sets the caption to "CANCEL" Sets the caption to "ABORT" Sets the caption to "NO" Sets the caption to "END" Sets the caption to "QUIT"

Produced by Docuneering Ltd

Applicable to:

S1000DBIKE-AAA-D00-00-00-00AA-022A-D

Table 2 Context rules (Continued)

No.	[Allowed object flag] Object path/Notation name	Object use	Object value [Tailoring]	Meaning
21	[2] //security/@securityClassification	Security classification	01 [Closed]	1 (lowest level of security classification, eg Unclassified)
22	[2] //security/@commercialClassification	Commercial security classification	cc51 [Closed]	Open
23	[2] //caption/@color	Caption color	co00 [Closed]	None
			co01 [Closed]	Green
			co02 [Closed]	Amber
			co03 [Closed]	Yellow
			co04 [Closed]	Red
			co07 [Closed]	White
			co08 [Closed]	Grey
			co09 [Closed]	Clear - Default value
			co51 [Closed]	Blue (used on Bike Computer Display)
24	[0] //commentPriority[not(attribute::commentPriorityCode)]	Priority level of a comment required		
25	[2] //@commentPriorityCode	Priority level of a comment	cp01 [Closed]	Routine
			cp02 [Closed]	Emergency
			cp03 [Closed]	Safety critical
26	[0] //crewMember[not(attribute::crewMemberType)]	Type of crew member required for drill or procedural step		
27	[2] //@crewMembertype	Type of crew member	cm01 [Closed]	All
			cm51 [Closed]	Bike rider
			cm52 [Closed]	Bike technician
28	[0] //crewDrill/@drillType	Types of aircrew drills do not apply to the Bike DMs		

Table 2 Context rules (Continued)

No.	[Allowed object flag] Object path/Notation name		
	Object use	Object value [Tailoring]	Meaning
29	[2] //emphasis/@emphasisType Type of emphasis	em01 [Closed] em02 [Closed] em03 [Closed] em04 [Closed] em05 [Closed]	Bold - Default value Italic (only for legacy data, see Chap 3.9.1) Underline (only for legacy data, see Chap 3.9.1) Overline (only for marking vectors) Strikethrough (not to be used to mark deleted text)
30	[2] //installationLocation/@installationLocationType Type of install location	instloctyp02 [Closed] instloctyp03 [Closed] instloctyp04 [Closed] instloctyp05 [Closed] instloctyp60 [Closed]	Section Station Water line Buttock line Frame
31	[2] //maintLevel/@maintLevelCode Maintenance level	ml01 [Closed] ml02 [Closed]	Level 1 (home) Level 2 (authorized workshop)
32	[2] //@itemOriginator Origin of equipment/harness/wire	orig01 [Closed] orig02 [Closed] orig03 [Closed]	Manufacturer Vendor Partner
33	[2] //randomList/@listItemPrefix Prefix of 'randomList' items, limited to three variants	pf01 [Closed] pf02 [Closed] pf03 [Closed]	Simple (No prefix, only indent) Unorder (Depending on list level, prefix with short dash for first level, bullet for second, and short dash for third level - ISOpub: bull, dash) - Default value Dash (short dash - ISOpub: dash)
34	[2] //inlineSignificantData/@significantParaDataType Paragraph significant data type	psd01 [Closed] psd02 [Closed] psd03 [Closed] psd04 [Closed]	Ammunition Instruction disposition Lubricant Maintenance level

Table 2 Context rules (Continued)

No.	[Allowed object flag] Object path/Notation name		
	Object use	Object value [Tailoring]	Meaning
		psd05 [Closed]	Manufacturer code
		psd06 [Closed]	Manufacturers recommendation
		psd07 [Closed]	Modification code
		psd08 [Closed]	Qualification code
		psd09 [Closed]	Training level
		psd10 [Lexical]	Control or Indicator value
35	[2] //quantity/@quantityType Quantity data type	qty01 [Closed]	Length
		qty02 [Closed]	Price
		qty03 [Closed]	Temperature
		qty04 [Closed]	Time
		qty05 [Closed]	Torque value
		qty06 [Closed]	Voltage
		qty07 [Closed]	Volume
		qty08 [Closed]	Mass
36	[2] //dialog/@resetCaption Caption for dialog reset caption	re01 [Closed]	Sets the caption to "RESET"
		re02 [Closed]	Sets the caption to "CLEAR"
37	[2] //commentResponse/@responseType Type of response to a comment	rt01 [Closed]	Accepted
		rt02 [Closed]	Pending
		rt03 [Closed]	Partially accepted
		rt04 [Closed]	Rejected
38	[2] //@skillLevelCode Personnel skill level	sk01 [Closed]	Basic
		sk02 [Closed]	Intermediate
		sk03 [Closed]	Advanced
39	[2] //@submitCaption Caption for dialog submit function	ok01 [Closed]	Sets the caption to "OK"
		ok02 [Closed]	Sets the caption to "SUBMIT"
		ok03 [Closed]	Sets the caption to "YES"
		ok04 [Closed]	Sets the caption to "CONTINUE"
		ok05 [Closed]	Sets the caption to "EXIT"

Produced by Docuneering Ltd

Applicable to:

S1000DBIKE-AAA-D00-00-00-00AA-022A-D

Table 2 Context rules (Continued)

No.	[Allowed object flag] Object path/Notation name	Object use	Object value [Tailoring]	Meaning
40	[2] //supervisorLevel/@supervisorLevelCode	Supervisor level	sl01 [Closed] sl02 [Closed] sl03 [Closed] sl04 [Closed]	Low Low intermediate High intermediate High
41	[2] //@taskCode	Task code	taskcd01 [Closed] taskcd02 [Closed] taskcd03 [Closed] taskcd04 [Closed] taskcd05 [Closed] taskcd06 [Closed] taskcd07 [Closed] taskcd08 [Closed] taskcd09 [Closed]	Detailed inspection (DET) Discard (DIS) Functional Check (FNC) General visual inspection (GVI) Lubrication (LUB) Operational check (OPC) Restoration (RST) Servicing (SVC) Visual check (VCK)
42	[2] //limitType/@limitUnitType	Limit type	lt01 [Closed] lt02 [Closed] lt03 [Closed] lt04 [Closed] lt05 [Closed] lt06 [Closed] lt07 [Closed]	Time between overhaul Hard time Since last maintenance Out time limit On condition Check maintenance Functional check
43	[2] //threshold/@thresholdUnitOfMeasure	Unit of measurement for the threshold interval	th03 [Closed] th04 [Closed] th05 [Closed] th06 [Closed] th11 [Closed] th12 [Closed] th14 [Closed] th35 [Lexical]	Months Weeks Years Days Shop visits Auxiliary power unit change Wheel change kilometer

Produced by Docuneering Ltd

Table 2 Context rules (Continued)

No.	[Allowed object flag] Object path/Notation name	Object use	Object value [Tailoring]	Meaning
44	[2] //sourceType/@sourceTypeCode	indicates the type of source	stc51 [Closed] stc52 [Closed]	fec sample
45	[2] //sourceType/@sourceCriticality	indicates the impact of not complying with the requirement	sc55 [Closed] sc56 [Closed] sc57 [Closed] sc58 [Closed] sc59 [Closed]	Evident, Safety Evident, operational Evident, Economic Hidden, Safety Hidden, Non-Safety
46	[2] //verbatimText/@verbatimStyle	Verbatim style	vs01 [Closed] vs02 [Closed] vs11 [Closed] vs12 [Closed] vs13 [Closed] vs14 [Closed] vs15 [Closed] vs16 [Closed] vs21 [Closed] vs22 [Closed] vs23 [Closed] vs24 [Closed] vs25 [Closed] vs26 [Closed] vs27 [Closed] vs28 [Closed] vs29 [Closed]	Generic verbatim Filename XML/SGML markup XML/SGML element name XML/SGML attribute name XML/SGML attribute value XML/SGML entity name XML/SGML processing instruction Program prompt User input Computer output Program listing Program variable name Program variable value Constant Class name Parameter name
47	[2] //@quantityUnitOfMeasure	Quantity data unit of measure - for further information refer to Chap 3.9.6.2 and the corresponding xml table		

Produced by Docuneering Ltd

Applicable to:

S1000DBIKE-AAA-D00-00-00-00AA-022A-D

Non context rules

Bike data modules must be reviewed and approved by EPWG before publishing.

The Bike data set must contain examples of how to apply constructs and principles representing various levels of concept sophistication.

Intentionally left blank.

Bicycle

Description of how it is made

Table of contents

	Page
Description of how it is made	1
References	1
Description	1
1 Physical description of a bicycle	1

List of tables

1	References	1
2	Bicycle parts	2

List of figures

1	Complete bicycle	2
---	------------------------	---

References

Table 1 References

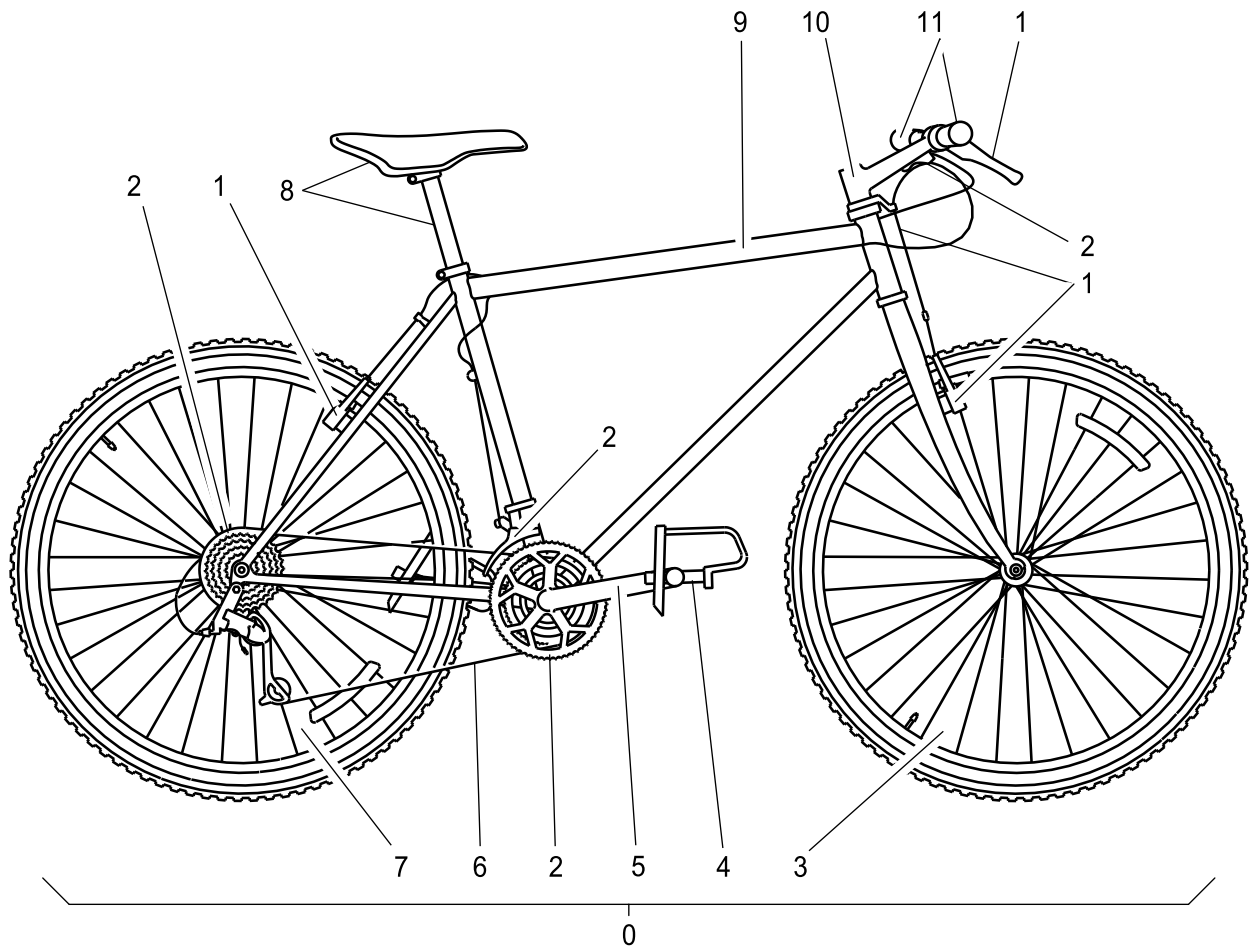
Data module / Technical publication	Title
None	

Description

1 Physical description of a bicycle

A bicycle (refer to [Fig 1](#)) is a frame and a number of movable components with mechanical parts that are completely open. There are no covers or sheet metal panels that prevent access to the mechanical parts. Thus, you can disassemble the different components of a bicycle (refer to [Fig 1 \[0\]](#)) to do:

- an inspection
- a maintenance task
- a repair task



ICN-C0419-S1000D0360-001-01

Fig 1 Complete bicycle

The parts that you can immediately identify on a bicycle are given in [Table 2](#).

Table 2 Bicycle parts

Item	Refer to	Definition
Frame	Fig 1 [9]	A bicycle frame is made of metal tubes that are welded together.
Wheels		The wheels include these parts: <ul style="list-style-type: none"> - Hub - Spokes - Metal rim - Rubber tire
- Rear wheel	Fig 1 [7]	

Produced by Docuneering Ltd

Table 2 Bicycle parts (Continued)

Item	Refer to	Definition
- Front wheel	Fig 1 [3]	
Seat and seat post	Fig 1 [8]	These install into the seat tube with a mechanism you can use to change the height.
Handle bars	Fig 1 [11]	A horizontal bar that attaches to the stem with grips at the ends that attach to the brake levers and the shifters.
Handle bar stem	Fig 1 [10]	This attaches the handle bar to the steering tube (head set).
Cranks	Fig 1 [5]	A lever that extends from the bottom of the bracket to the pedal.
Pedals	Fig 1 [4]	The two platforms for the feet that attach to the crank.
Chain	Fig 1 [6]	A circular set of links that connect the chain ring to the cogs on the freewheel.
Gears	Fig 1 [2]	The gears include: <ul style="list-style-type: none"> - Front chain ring - Rear freewheel - Front and the rear derailleur - Shift lever on the handle bars - Cables
Brakes	Fig 1 [1]	The brakes include: <ul style="list-style-type: none"> - Actuators on the handlebars - Brake cable - Brake callipers - Brake pads

Intentionally left blank.

Bicycle

Description of function

Table of contents

	Page
Description of function	1
References	1
Description	1
1 Functional description of a bicycle	1

List of tables

1 References	1
--------------------	---

References

Table 1 References

Data module / Technical publication	Title
S1000DBIKE-AAA-DA0-00-00-00AA-041A-A	
S1000DBIKE-AAA-DA1-00-00-00AA-041A-A	
S1000DBIKE-AAA-DA2-10-00-00AA-520A-A	
S1000DBIKE-AAA-DA2-10-00-00AA-720A-A	
S1000DBIKE-AAA-DA2-20-00-00AA-520A-A	
S1000DBIKE-AAA-DA2-20-00-00AA-720A-A	
S1000DBIKE-AAA-DA3-00-00-00AA-041A-A	
S1000DBIKE-AAA-DA4-10-00-00AA-251B-A	
S1000DBIKE-AAA-DA5-00-00-00AA-041A-A	
S1000DBIKE-AAA-DA5-10-00-00AA-041A-A	
S1000DBIKE-AAA-DA5-30-00-00AA-041A-A	

Description

1 Functional description of a bicycle

Below is a list of the different bicycle components and a functional description of them.

Frame	The frame is the skeleton of the bicycle. Refer to S1000DBIKE-AAA-DA3-00-00-00AA-041A-A for a functional description of the frame system.
Wheel	The wheel is the point of contact between the bicycle and the road for the bicycle to have movement. Refer to S1000DBIKE-

Applicable to: Mountain bicycle
and (Mountain storm Mk1 or
Brook trekker Mk9)

S1000DBIKE-AAA-D00-00-00-00AA-042A-A

	AAA-DA0-00-00-00AA-041A-A for a functional description of the wheel.
Spokes	The spokes are thick wires with tension applied that connect the hub to the rim. You can adjust the tension with the nipple on the rim side.
Hub	The hub attaches to the center of the wheel where the axle and the bearings are.
Metal rim	The metal rim is a metal ring that has a U-shaped cross section to hold the spokes on the inner side and the tire on the outer side.
Seat	The seat, which is also known as the "saddle", is used as the support platform for the person to sit on the bicycle.
Seat post	The seat post is used as a support post for the seat and to change the height of the seat for the rider.
Handle bar	The handle bar is a horizontal bar with handles on each end. The handle bar is a steering mechanism that the rider uses to change the direction of the bicycle. The brake levers are also on the handle bar. Refer to S1000DBIKE-AAA-DA2-20-00-00AA-720A-A for information on how to install the handle bar. Refer to S1000DBIKE-AAA-DA2-20-00-00AA-520A-A for information on removing the handlebar.
Handle bar stem	The handle bar stem (the stem) attaches the handle bar to the steering tube. Refer to S1000DBIKE-AAA-DA2-10-00-00AA-720A-A for information on how to install a stem. Refer to S1000DBIKE-AAA-DA2-10-00-00AA-520A-A for information on how to remove the stem.
Brake levers	When you operate the brake lever, the brake pads move against the wheel to decrease the speed. The brake lever on the left side operates the front brake. The brake lever on the right side operates the rear brake.
Brakes	When you operate the brakes, the brake pad moves against the wheel to decrease the speed of the bicycle. Refer to S1000DBIKE-AAA-DA1-00-00-00AA-041A-A for a description of the braking system.
Shifters	The shifters are the mechanisms that you use to change the gears on the bicycle. There are 7 different types of shifters that have been developed over the years, but they all have the same functionality. When you operate the shifters, they pull the control cable to move the derailleur towards a larger diameter chain ring. The shifters can also loosen the cable to let the derailleur move towards a smaller diameter chain ring. Refer to S1000DBIKE-AAA-DA5-30-00-00AA-041A-A for a functional description of the shifters.
Crank	The crank moves the power to the chain rings when the pedals operate.

Pedals	The pedals move the force of movement from the feet to the cranks.
Chain	The chain moves the power from the chain rings to the cogs on the freewheel. Refer to S1000DBIKE-AAA-DA4-10-00-00AA-251B-A for the procedure on how to clean the chain.
Gears	<p>The gears have different mechanisms that function together to change the speed of the bicycle. These mechanisms include:</p> <ul style="list-style-type: none">- the sprockets- the chain- the derailleur <p>Refer to S1000DBIKE-AAA-DA5-00-00-00AA-041A-A for a functional description of the gear system.</p>
Chain rings	The chain rings (also known as the "chain wheel") pull on the chain when the cranks turn.
Derailleur	A derailleur moves the chain from one sprocket to another to change the gears. There are two different types of derailleur, the front and the rear. The highest ratio (highest gear) is when the chain is on the largest sprocket on the front and the smallest at the rear. To get the lowest gear, the smallest sprocket is at the front and the largest at the rear. Refer to S1000DBIKE-AAA-DA5-10-00-00AA-041A-A for a functional description of the derailleur system.

Intentionally left blank.

Bicycle

Description attributed to crew

Table of contents

	Page
Description attributed to crew	1
References	1
1 Introduction	1
2.1 Controls	1
2.2 Steering	1
2.3 Shifters	2
2.4 Brakes	2
2.5 Pedals	2

List of tables

1	References	1
2	shifter correlation	2
3	brake lever correlation	2

References

Table 1 References

Data module / Technical publication	Title
S1000DBIKE-AAA-DA5-30-00-00AA-041A-A	

1 Introduction

Data about the bicycle and its control system is given in this document. This data will help you operate the bicycle.

2

2.1 Controls

Data about the controls that follow is given in this document:

- [Para 2.2](#)
- [Para 2.3](#)
- [Para 2.4](#)
- [Para 2.5](#)

2.2 Steering

The handlebars are used to steer the bike. They are at the front of the bicycle. You hold one of the handlebar grips with each hand and move the handle bar to change the direction of the bike.

2.3 Shifters

The gears control the ratio of pedal rotation to wheel rotation. You can change this with the shifters [S1000DBIKE-AAA-DA5-30-00-00AA-041A-A](#) . The shifters are on the handlebar.

A description of the two [Table 2](#) follows.

Table 2 shifter correlation

Shifter Location	Affected Gears
Left	The buttons on the left shifter changes the gears on the front derailleur.
Right	The buttons on the right shifter changes the gears on the rear derailleur.

2.4 Brakes



You can decrease the speed of the bike with the brakes. You operate the brakes with the brake levers on the handlebar.

A description of the [Table 3](#) follows.

Table 3 brake lever correlation

Brake Lever Location	Affected Brake
Left	This lever operates the front brake.
Right	This lever operates the rear brake.

2.5 Pedals

The ci-0004 are at the bottom of the seat tube. You operate the ci-0004 to move the bicycle forward.

Applicability cross-reference table

Table 2 Applicability cross-reference table references

Data module	Title
S1000DBIKE-AAA-D00-00-00-00AA-00WA-D	
BRAKE-AAA-D00-00-00-00AA-00WA-D	

Table 3 Product definition relationships

Data module	Type	Values	Data module	Association type
brakeSerialNo	Product attribute		S1000DBIKE-AAA-D00-00-00-00AA-00WA-D	
SerialNo	Product attribute		BRAKE-AAA-D00-00-00-00AA-00WA-D	Alias
brakeModel	Product attribute		S1000DBIKE-AAA-D00-00-00-00AA-00WA-D	
model	Product attribute		BRAKE-AAA-D00-00-00-00AA-00WA-D	External reference

Intentionally left blank.

Bicycle

Pre-operation procedures (crew)

Table of contents

	Page
Pre-operation procedures (crew)	1
References	1
Preliminary requirements	1
Procedure	2
Requirements after job completion	6

List of tables

1	References	1
2	Required conditions	1
3	Required persons	2
4	Support equipment	2
5	Consumables, materials and expendables	2
6	Spares	2
7	Required conditions	6

List of figures

1	Hydraulic brake function	3
2	Brake pad seating	4

References

Table 1 References

Data module / Technical publication	Title
S1000DBIKE-AAA-DA4-10-00-00AA-251B-A	

Preliminary requirements

Required conditions

Table 2 Required conditions

Action / Condition	Data module / Technical publication
None	

Required persons

Table 3 Required persons

Persons	Category	Skill level	Trade/Trade code	Estimated time
Man A	Basic user		Operator	0,3 h

Support equipment

Table 4 Support equipment

Name	Manufacturer / Part No.	Quantity	Remark
Tire pressure gauge	MFR: KZ666 /PN: BSK-TLST-001-01	1 EA	
Specialist toolset	MFR: KZ666 /PN: BSK-TLST-001	1 EA	

Consumables, materials and expendables

Table 5 Consumables, materials and expendables

Name	Manufacturer / Part No.	Quantity	Remark
General lubricant	MFR: KZ222 /PN: LL-001	As required	

Spares

Table 6 Spares

Name	Manufacturer / Part No.	Quantity	Remark
None			

Safety conditions

None

Procedure

- 1 Examine the condition of the brakes.
 - 1.1 Open the brake quick release.
 - 1.2 Examine the condition and the thickness of the brake pads.
 - 1.2.1 Make sure that there is a large quantity of rubber left.
 - 1.2.2 Make sure that the pad is not too hard.
 - 1.3 Clean all the unwanted material.

Applicable to: Mountain bicycle
and (Mountain storm Mk1 or
Brook trekker Mk9)

S1000DBIKE-AAA-D00-00-00-00AA-121A-A

2 Do an inspection of the installation of the brakes.

2.1 Check the hydraulic brake system function.

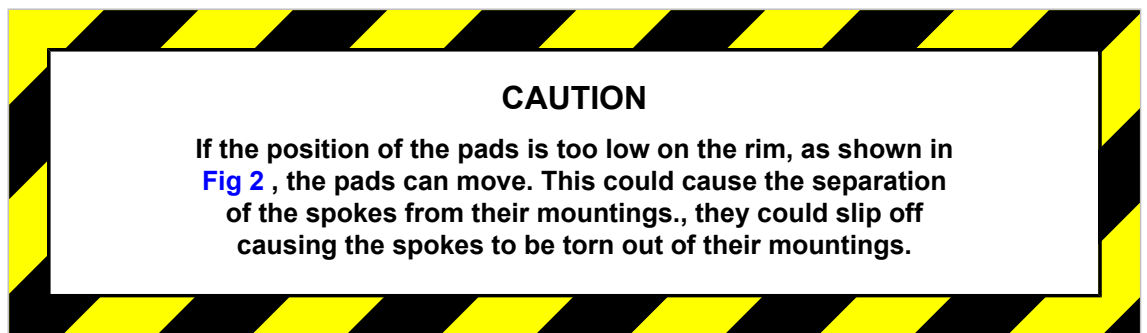


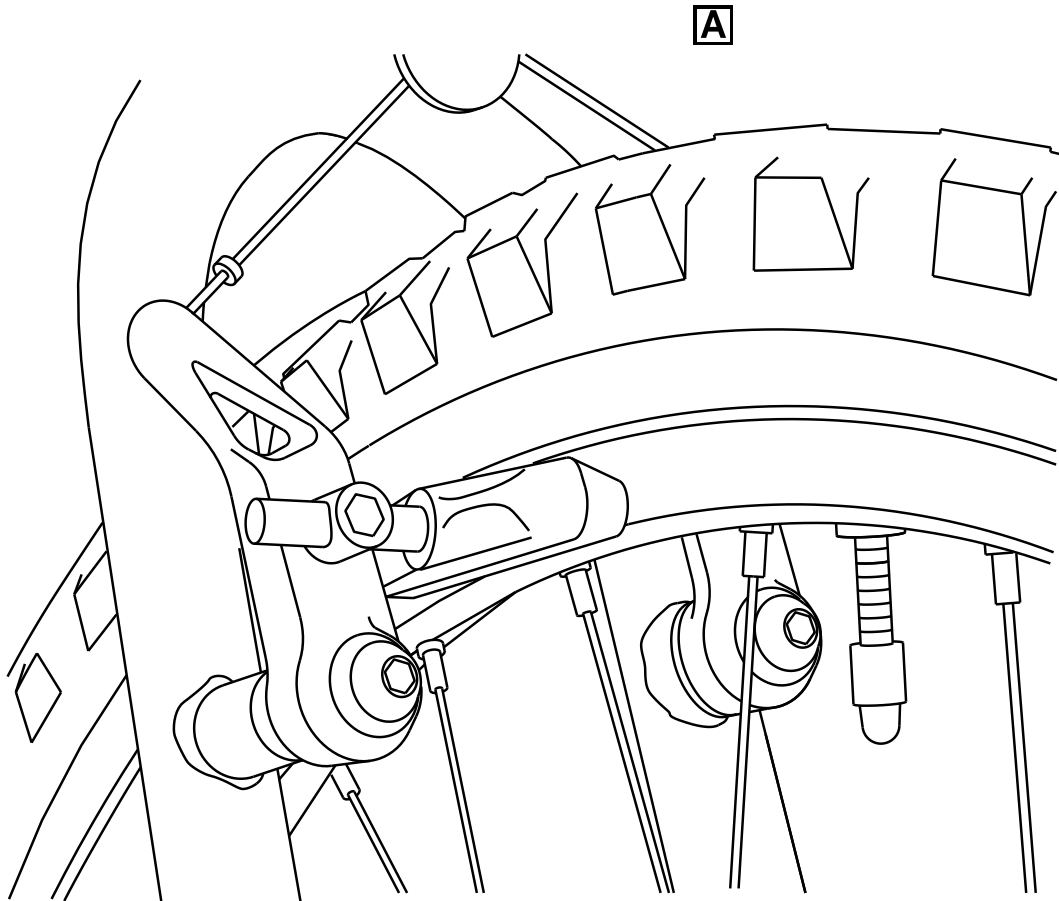
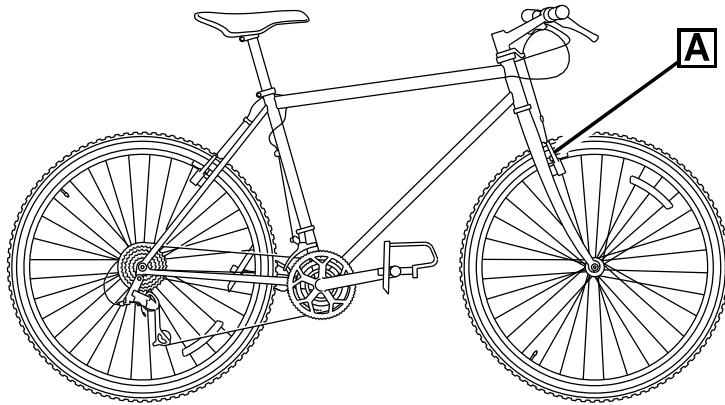
ICN-C0419-S1000D0384-001-01

Fig 1, Other Hydraulic brake function

2.2 Make sure that there is sufficient clearance between the pad and the inner diameter of the brake surface.

2.3





Produced by Docuneering Ltd

ICN-C0419-S1000D0382-001-01

Fig 2 Brake pad seating

Applicable to: Mountain bicycle
and (Mountain storm Mk1 or
Brook trekker Mk9)

S1000DBIKE-AAA-D00-00-00-00AA-121A-A

-
- Make sure that the pads are correctly installed in the center of the inner diameter of the brake surface.
- 3 Do a check of the tire pressure.
 - 3.1 Do a check of the tire pressure with the [Tire pressure gauge](#) .
 - 3.2 Compare the value you read with the recommended pressure that is shown into the sidewall of the tire.
 - 3.3 Add the necessary air.
 - 4 Examine the condition of the wheels.
 - 4.1 Examine the rims for bulges and dents.
 - 4.2 Examine for splits at the seam where an extruded rim is bonded.
 - 5 Do a check of the headset bearings.
 - 5.1 Straddle the bicycle.
Apply the front brakes and push the handle bars forward.
 - 5.2 Make sure that the headset bearings are tight.
 - 6 Do the checks on the chain.
 - 6.1 Visually examine the chain.
If the chain is too dirty, clean it as specified in the clean chain task (refer to [S1000DBIKE-AAA-DA4-10-00-00AA-251B-A](#)).
 - 6.1.1 Visually examine the chain for links that are frozen or that do not move easily.
 - 6.1.2 Apply the necessary [General lubricant](#) .
 - 6.2 Do a check of the chain to make sure that it is tight.
 - 6.2.1 Make sure that the play of the chain is not too much.
 - 6.2.1.1 Move the chain on the largest chain ring.
 - 6.2.1.2 Try to pull the chain away from the front of the chain ring.
Make sure that the chain is not loose. Tighten the chain if, when you pull it away from the chain ring, you can see a full tooth.
 - 6.2.2 Tighten the chain with the Allen wrench from the [Specialist toolset](#).

Requirements after job completion

Required conditions

Table 7 Required conditions

Action / Condition	Data module / Technical publication
None	

Bicycle

Riding a bicycle

This is a "process" Data Module

**The Docuneering S1000D XSL-FO Stylesheets
do not yet support the "process" Data Module**

Intentionally left blank.

Bicycle

Normal operation procedures (crew)

Table of contents

	Page
Normal operation procedures (crew)	1
References	1

List of tables

1	References	1
2	Correlation of tire pressure and terrain	2

References

Table 1 References

Data module / Technical publication	Title
None	

Pre-ride inspection

Brakes

Pads

- 1 Pads..... Free of unwanted material
- 2 Pads..... Acceptable pad width
- 3 Pads..... Acceptable pad clearance

Callipers

- 1 Link Wire..... Firmly attached

Levers

- 1 Levers..... Approximately 1 inch of travel before engagement
- 2 Levers..... Space between lever and handlebar when fully pulled

Cables

- 1 Cables..... No cuts or fraying

Tires

- 1 Pressure..... *Table 2 Correlation of tire pressure and terrain*

Tire Pressures	Min	Max
Off Road	35lbs	40lbs
On Road	55lbs	60lbs

- 2 Tires..... No cracks or splits

Wheels

- 1 Wheels..... No loose bearings

- 2 Wheels..... True

- 3 Spokes..... Not broken

If: Spokes not broken

- 4 Spokes..... Tight

- 5 Axle Nuts..... Tight

Headset

- 1 Headset bearings..... Tight

Chain

- 1 Links..... Easy movement of links

Handlebar



If: Stem cracked

- 1 Procedure
Replace stem

Else if: Stem is loose

- 1 Procedure
Tighten stem

If: Handlebars twist in stem

- 2 Procedure
Tighten clamp bolt

Computer

- 1 Computer Display..... *Applicable to: Mountain storm Mk1*

ALTITUDE	0 miles
SPEED	0 mph
DISTANCE	0 miles

Applicable to: Brook trekker Mk9

SPEED	0 mph
DISTANCE	0 miles

Intentionally left blank.

Bicycle

Post-operation procedures (crew)

Table of contents

	Page
Post-operation procedures (crew)	1
References	1
Preliminary requirements	1
Procedure	2
Requirements after job completion	3

List of tables

1	References	1
2	Required conditions	1
3	Support equipment	1
4	Consumables, materials and expendables	2
5	Spares	2
6	Required conditions	3

References

Table 1 References

Data module / Technical publication	Title
None	

Preliminary requirements

Required conditions

Table 2 Required conditions

Action / Condition	Data module / Technical publication
None	

Support equipment

Table 3 Support equipment

Name	Manufacturer / Part No.	Quantity	Remark
Specialist toolset	MFR: KZ666 /PN: BSK-TLST-001	1 EA	

Produced by Docuneering Ltd

Applicable to: Mountain bicycle
and (Mountain storm Mk1 or
Brook trekker Mk9)

S1000DBIKE-AAA-D00-00-00-00AA-151A-A

Consumables, materials and expendables

Table 4 Consumables, materials and expendables

Name	Manufacturer / Part No.	Quantity	Remark
General lubricant	MFR: KZ222 /PN: LL-001	As required	

Spares

Table 5 Spares

Name	Manufacturer / Part No.	Quantity	Remark
None			

Safety conditions

None

Procedure

- 1 Clean the bicycle.
 - 1.1 Clean the bicycle with water.
 - 1.2 Use the brush from the [Specialist toolset](#) to clean the brakes, the shift levers, the sprockets and the tires.
 - 1.3 Let the bicycle dry.
- 2 Lubricate the bicycle
 - 2.1 Spray the [General lubricant](#), to these moving parts:
 - the brake pivots
 - the derailleur pivots
 - the derailleur tension guides
 - the brake lever pivots
 - the control cables
 - the gear sprockets
 - the chain
 - 2.2 Remove the lubricant which is more than the necessary.

Requirements after job completion**Required conditions***Table 6 Required conditions*

Action / Condition	Data module / Technical publication
None	

Intentionally left blank.

Bicycle

Servicing: Prerequisite concept review

This is a "learning" Data Module

**The Docuneering S1000D XSL-FO Stylesheets
do not yet support the "learning" Data Module**

Intentionally left blank.

Bicycle

Other procedures to clean

Table of contents

	Page
Other procedures to clean	1
References	1
General information	1
Preliminary requirements	2
Procedure	4
Requirements after job completion	8

List of tables

1	References	1
2	Required conditions	2
3	Required persons	2
4	Required persons	2
5	Required persons	2
6	Required technical information	2
7	Support equipment	3
8	Consumables, materials and expendables	3
9	Spares	3
10	Required conditions	8

List of figures

1	Cleaning the bike	5
2	Degreasing the freehub	7

References

Table 1 References

Data module / Technical publication	Title
S1000DBIKE-AAA-DA4-10-00-00AA-241A-A	
S1000DBIKE-B6865-SAFE1-00	
SafeS-12-156B	Sticky stuff - Safety sheet

General information

According to The International Bikers' Association (IBA) code of honor you are kindly requested to drive a properly maintained bicycle, which means the bike has to be regularly cleaned.

Preliminary requirements

Required conditions

Table 2 Required conditions

Action / Condition	Data module / Technical publication
The bicycle is outdoors	

Required persons

Table 3 Required persons

Persons	Category	Skill level	Trade/Trade code	Estimated time
Man A	Chemical technician	Intermediate	Bike cleaner	1,0 h

Applicable to: Mountain bicycle Mountain storm Mk1

Required persons

Table 4 Required persons

Persons	Category	Skill level	Trade/Trade code	Estimated time
Man B	Operator	Intermediate	Bike rider	1,0 h

Applicable to: Mountain bicycle Brook trekker Mk9

Required persons

Table 5 Required persons

Persons	Category	Skill level	Trade/Trade code	Estimated time
Man B	Operator	Advanced	Bike rider	0,8 h

Required technical information

Table 6 Required technical information

Category	Data module / Technical publication
Publication module	S1000DBIKE-B6865-SAFE1-00
Safety sheet	SafeS-12-156BSticky stuff - Safety sheet2014

Support equipment

Table 7 Support equipment

Name	Manufacturer / Part No.	Quantity	Remark
Water hose	MFR: KZ666 /PN: BSK-TLST-001-09	1 EA	
Stiff bristle brush	MFR: KZ666 /PN: BSK-TLST-001-02	1 EA	
Sponge	MFR: KZ666 /PN: BSK-TLST-001-11	1 EA	

Consumables, materials and expendables

Table 8 Consumables, materials and expendables

Name	Manufacturer / Part No.	Quantity	Remark
ACME super 45 Agent	MFR: KZ222 /PN: LL-004	1 L	
ACME Middling Detergent 69	MFR: KZ666 /PN: BSK-TLST-023-14	1 L	
Applicable to: Mountain bicycle Brook trekker Mk9			
BoeBus DeLux Detergent No.6	MFR: KZ666 /PN: BSK-TLST-001-15	1 L	

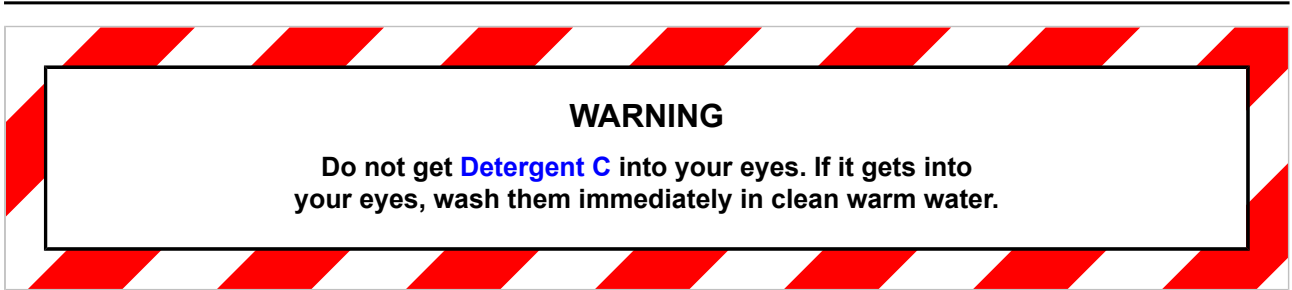
Spares

Table 9 Spares

Name	Manufacturer / Part No.	Quantity	Remark
None			

Safety conditions





Procedure

- 1 Clean the bicycle with water to remove all dirt. Refer to [Fig 1](#).

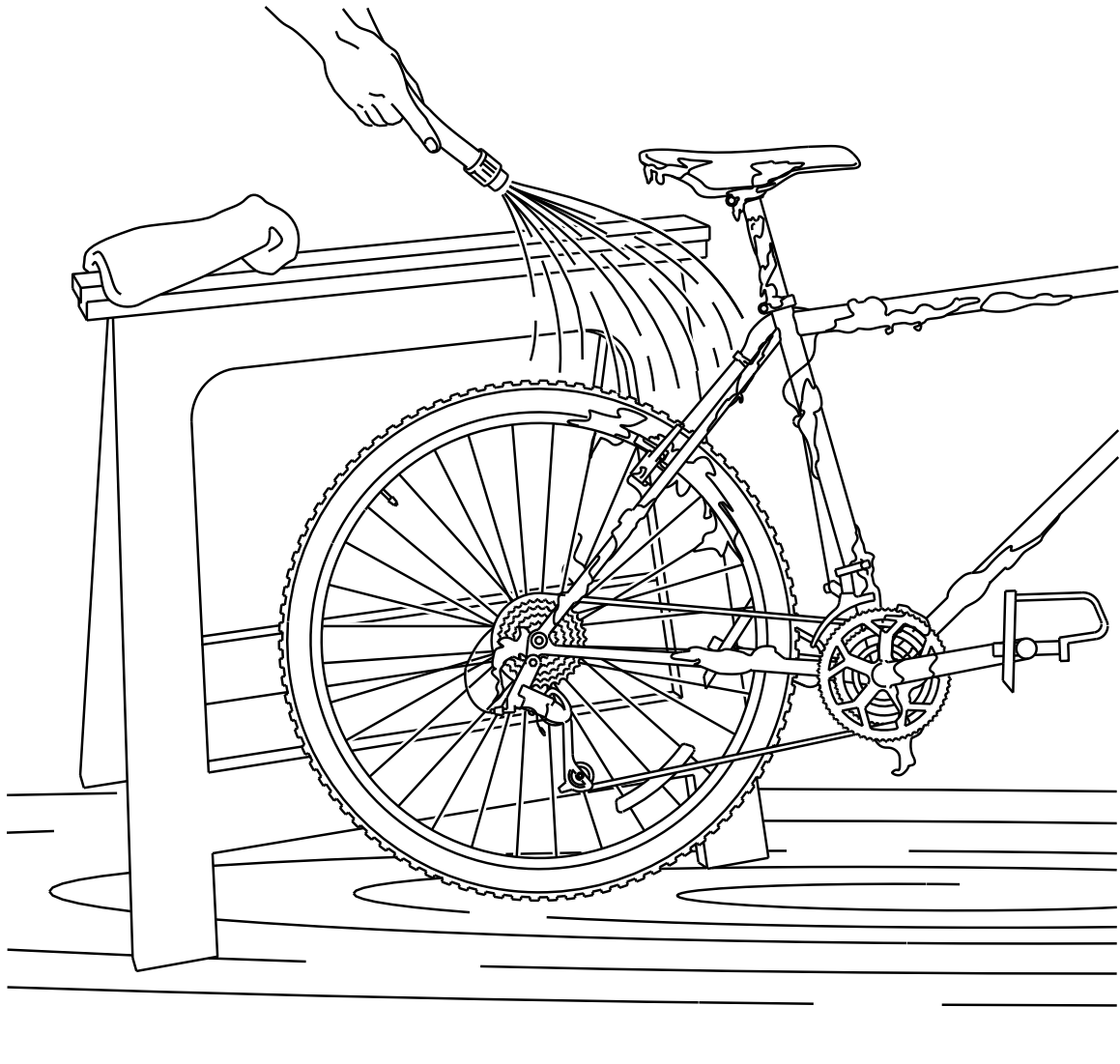
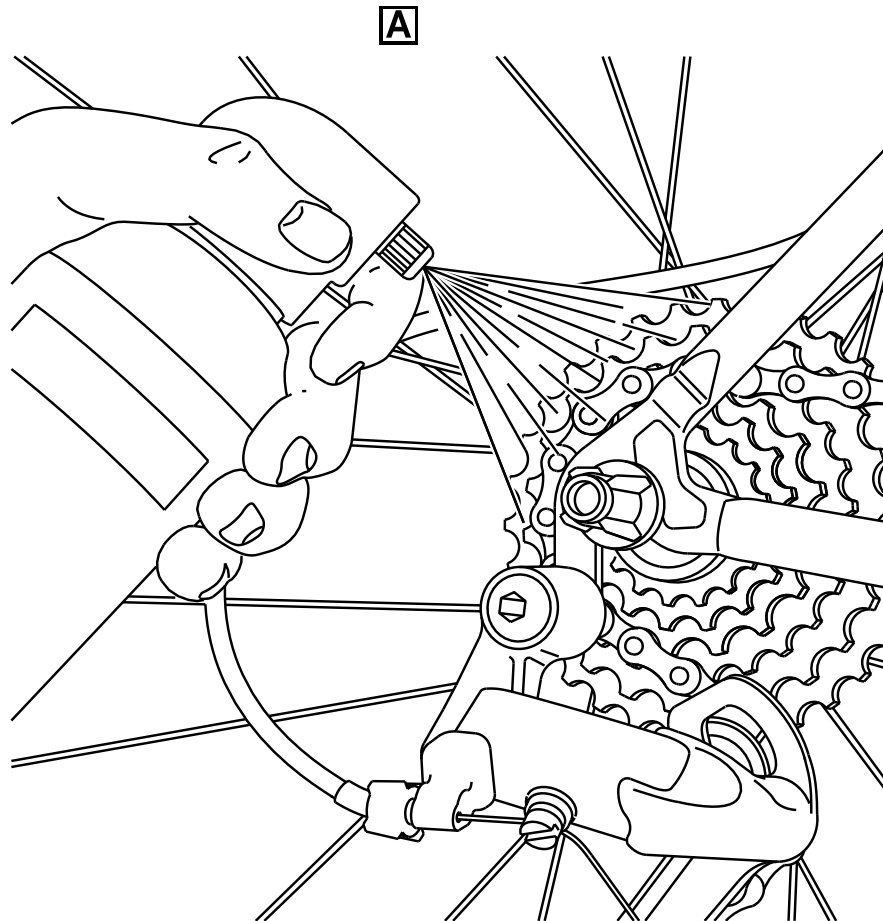
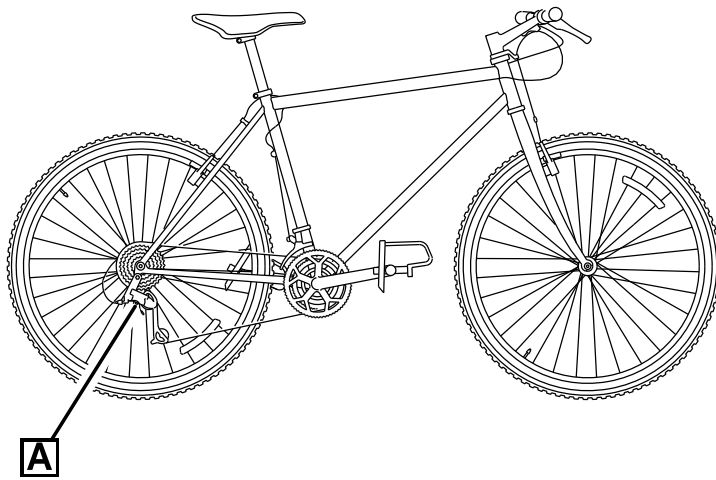


Fig 1 Cleaning the bike

ICN-C0419-S1000D0359-001-01

-
- 2 Use a [Stiff bristle brush](#) to get access to areas that are not easy to clean. These are the shift levers, the knobby tires, and the brakes.
 - 3 Clean the caked grime from the chain and the sprockets with a screwdriver that has a small blade.
 - 4 Remove the grease from the freewheel assembly with the [Degreasing agent](#) as shown in [Fig 2](#).
Use a brush to remove the grease from these parts:
 - sprockets
 - guide and tension wheels of the derailleur
 - chain ring teeth



ICN-C0419-S1000D0400-001-01

Fig 2 Degreasing the freehub

Produced by Docuneering Ltd

Applicable to: Mountain bicycle
and (Mountain storm Mk1 or
Brook trekker Mk9)

S1000DBIKE-AAA-D00-00-00-00AA-258A-A

5 Flush the sprockets, the derailleurs, the chain rings and the chain with water.

Note 1

If necessary, do the flush procedure again.

Applicable to: Mountain bicycle Mountain storm Mk1

6 Wash the Bike

6.1 Soak the [Sponge](#) into [Detergent A](#) and water.

6.2 Clean the bicycle with the soaked sponge.

6.3 Flush the bicycle and make sure that all [Detergent A](#) is removed.

6.4 Move the bicycle up and down on its tires to remove all water.

Applicable to: Mountain bicycle Brook trekker Mk9

7 Wash the Bike

7.1 Soak the [Sponge](#) into [Detergent C](#) and water.

7.2 Clean the bicycle with the soaked sponge.

7.3 Soak the [Sponge](#) into [Detergent A](#) and water.

7.4 Fully clean the bicycle with the soaked sponge.

7.5 Flush the bicycle to make sure that all detergents are removed.

7.6 Move the bicycle up and down on its tires to remove all water.

8 Lubricate the bicycle. Refer to [S1000DBIKE-AAA-DA4-10-00-00AA-241A-A](#).

Requirements after job completion

Required conditions

Table 10 Required conditions

Action / Condition	Data module / Technical publication
Make sure the bicycle is dry	

Bicycle

Other procedures to clean

Table of contents

	Page
Other procedures to clean	1
References	1
General information	1
Preliminary requirements	2
Procedure	4
Requirements after job completion	8

List of tables

1	References	1
2	Required conditions	2
3	Required persons	2
4	Required persons	2
5	Required persons	2
6	Required technical information	2
7	Support equipment	3
8	Consumables, materials and expendables	3
9	Spares	3
10	Required conditions	8

List of figures

1	Cleaning the bike	5
2	Degreasing the freehub	7

References

Table 1 References

Data module / Technical publication	Title
S1000DBIKE-AAA-DA4-10-00-00AA-241A-A	
S1000DBIKE-B6865-SAFE1-00	
SafeS-12-156B	Sticky stuff - Safety sheet

General information

According to The International Bikers' Association (IBA) code of honor you are kindly requested to drive a properly maintained bicycle, which means the bike has to be regularly cleaned.

Preliminary requirements

Required conditions

Table 2 Required conditions

Action / Condition	Data module / Technical publication
The bicycle is outdoors	

Required persons

Table 3 Required persons

Persons	Category	Skill level	Trade/Trade code	Estimated time
Man A	Chemical technician	Intermediate	Bike cleaner	1,0 h

Applicable to: Mountain bicycle Mountain storm Mk1

Required persons

Table 4 Required persons

Persons	Category	Skill level	Trade/Trade code	Estimated time
Man B	Operator	Intermediate	Bike rider	1,0 h

Applicable to: Mountain bicycle Brook trekker Mk9

Required persons

Table 5 Required persons

Persons	Category	Skill level	Trade/Trade code	Estimated time
Man B	Operator	Advanced	Bike rider	0,8 h

Required technical information

Table 6 Required technical information

Category	Data module / Technical publication
Publication module	S1000DBIKE-B6865-SAFE1-00
Safety sheet	SafeS-12-156BSticky stuff - Safety sheet2014

Support equipment

Table 7 Support equipment

Name	Manufacturer / Part No.	Quantity	Remark
Water hose	MFR: KZ666 /PN: BSK-TLST-001-09	1 EA	
Stiff bristle brush	MFR: KZ666 /PN: BSK-TLST-001-02	1 EA	
Sponge	MFR: KZ666 /PN: BSK-TLST-001-11	1 EA	

Consumables, materials and expendables

Table 8 Consumables, materials and expendables

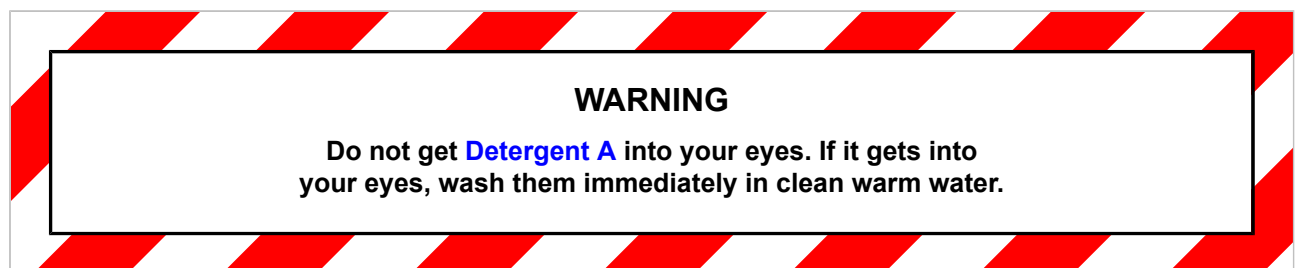
Name	Manufacturer / Part No.	Quantity	Remark
ACME super 45 Agent	MFR: KZ222 /PN: LL-004	1 L	
ACME Middling Detergent 69	MFR: KZ666 /PN: BSK-TLST-023-14	1 L	
Applicable to: Mountain bicycle Brook trekker Mk9			
BoeBus DeLux Detergent No.6	MFR: KZ666 /PN: BSK-TLST-001-15	1 L	

Spares

Table 9 Spares

Name	Manufacturer / Part No.	Quantity	Remark
None			

Safety conditions



WARNING

Do not get **Detergent C** into your eyes. If it gets into your eyes, wash them immediately in clean warm water.

CAUTION

Do not use a **Water hose** that has high pressure. A water hose that has high pressure can cause some parts to become loose or full of water.

CAUTION

Do not point the hose directly at the hub or at the bottom bracket bearings. This can cause damage to the parts.

CAUTION

Apply **Detergent C** in accordance with the instruction on the container. The substance may cause damage to the Bike paint if it is not applied correctly.

Procedure

- 1 Clean the bicycle with water to remove all dirt. Refer to [Fig 1](#).

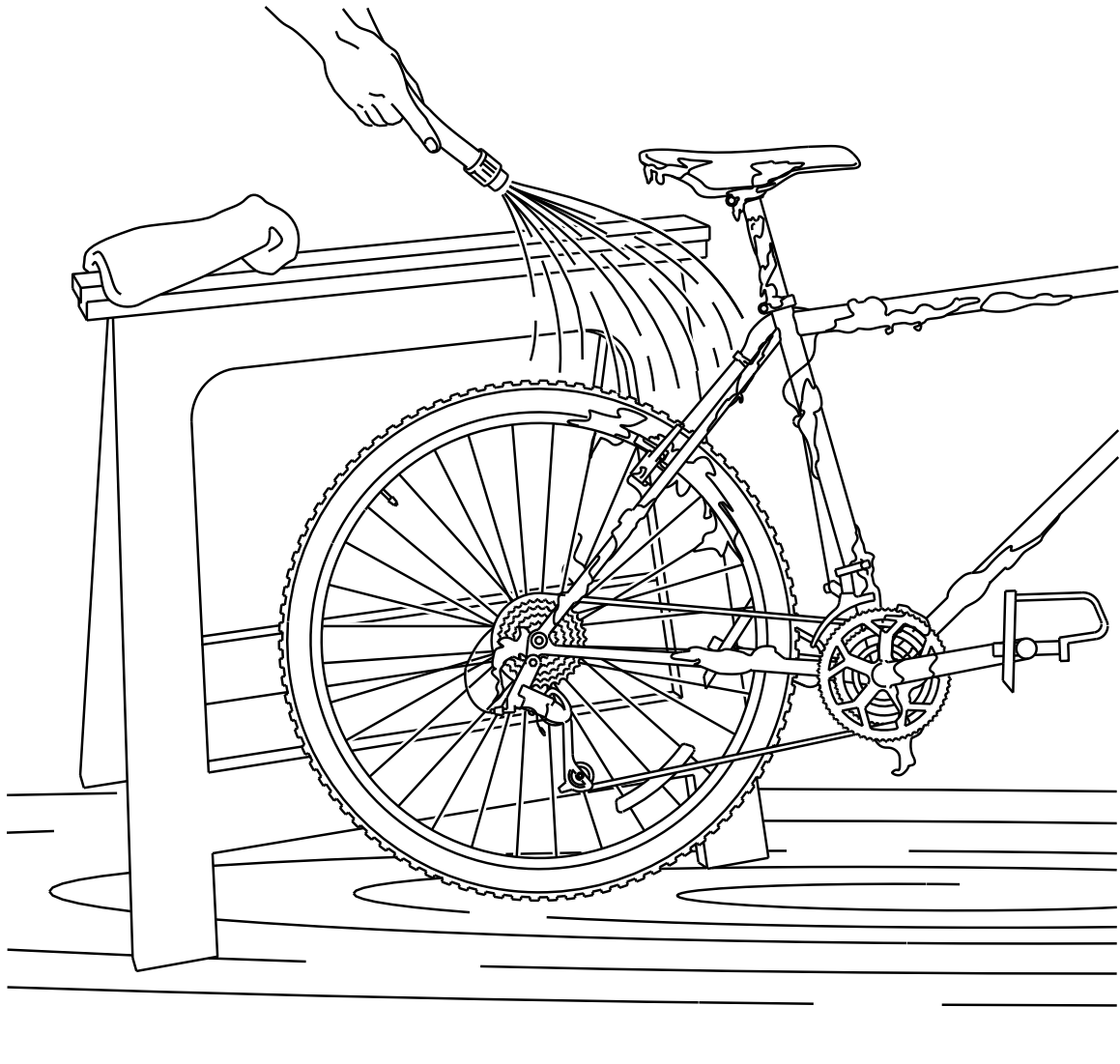
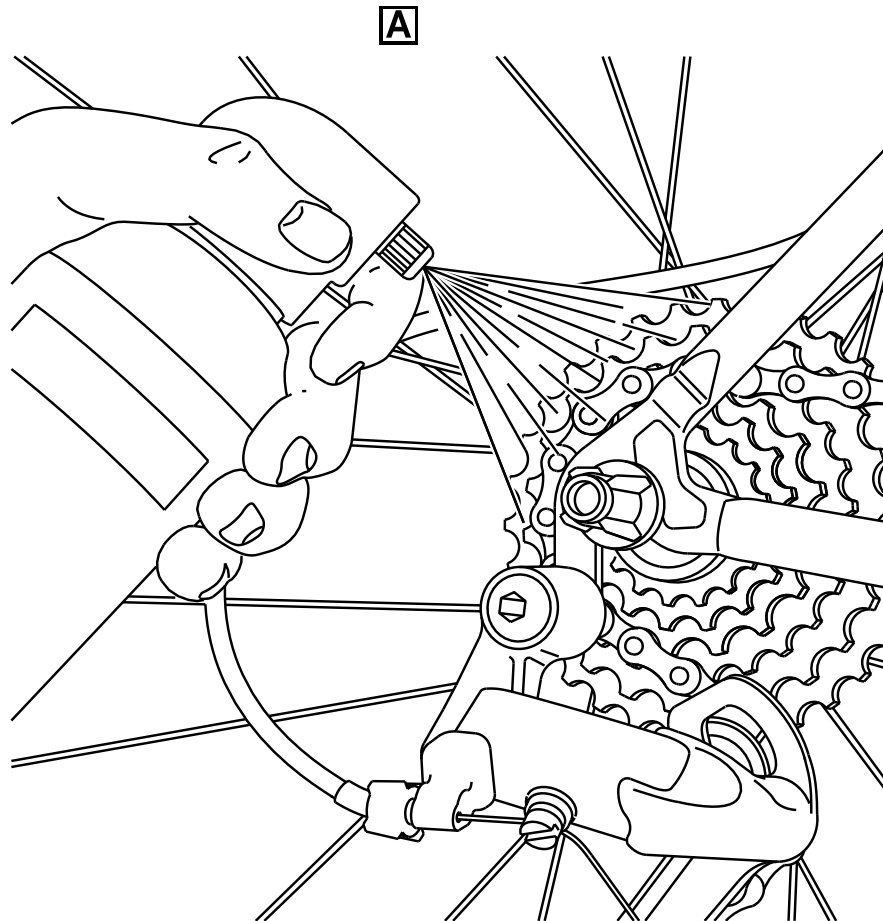
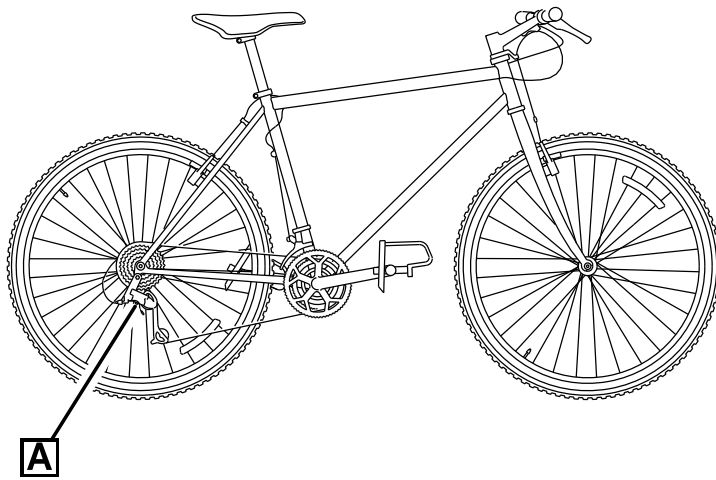


Fig 1 Cleaning the bike

ICN-C0419-S1000D0359-001-01

-
- 2 Use a [Stiff bristle brush](#) to get access to areas that are not easy to clean. These are the shift levers, the knobby tires, and the brakes.
 - 3 Clean the caked grime from the chain and the sprockets with a screwdriver that has a small blade.
 - 4 Remove the grease from the freewheel assembly with the [Degreasing agent](#) as shown in [Fig 2](#).
Use a brush to remove the grease from these parts:
 - sprockets
 - guide and tension wheels of the derailleur
 - chain ring teeth



ICN-C0419-S1000D0400-001-01

Fig 2 Degreasing the freehub

5 Flush the sprockets, the derailleurs, the chain rings and the chain with water.

Note 1

If necessary, do the flush procedure again.

Applicable to: Mountain bicycle Mountain storm Mk1

6 Wash the Bike

6.1 Soak the [Sponge](#) into [Detergent A](#) and water.

6.2 Clean the bicycle with the soaked sponge.

6.3 Flush the bicycle and make sure that all [Detergent A](#) is removed.

6.4 Move the bicycle up and down on its tires to remove all water.

Applicable to: Mountain bicycle Brook trekker Mk9

6 Wash the Bike

6.1 Soak the [Sponge](#) into [Detergent C](#) and water.

6.2 Clean the bicycle with the soaked sponge.

6.3 Soak the [Sponge](#) into [Detergent A](#) and water.

6.4 Fully clean the bicycle with the soaked sponge.

6.5 Flush the bicycle to make sure that all detergents are removed.

6.6 Move the bicycle up and down on its tires to remove all water.

7 Lubricate the bicycle. Refer to [S1000DBIKE-AAA-DA4-10-00-00AA-241A-A](#).

Requirements after job completion

Required conditions

Table 10 Required conditions

Action / Condition	Data module / Technical publication
Make sure the bicycle is dry	

Bicycle

Place on test stand

Table of contents

	Page
Place on test stand	1
References	1
Preliminary requirements	1
Procedure	2
Requirements after job completion	2

List of tables

1	References	1
2	Required conditions	1
3	Required persons	1
4	Support equipment	2
5	Consumables, materials and expendables	2
6	Spares	2
7	Required conditions	2

References

Table 1 References

Data module / Technical publication	Title
None	

Preliminary requirements

Required conditions

Table 2 Required conditions

Action / Condition	Data module / Technical publication
None	

Required persons

Table 3 Required persons

Persons	Category	Skill level	Trade/Trade code	Estimated time
Man A	Basic user		Operator	0,3 h

Support equipment

Table 4 Support equipment

Name	Manufacturer / Part No.	Quantity	Remark
Test stand	MFR: KZ666 /PN: BSK-TLST-999-01	1 EA	

Consumables, materials and expendables

Table 5 Consumables, materials and expendables

Name	Manufacturer / Part No.	Quantity	Remark
None			

Spares

Table 6 Spares

Name	Manufacturer / Part No.	Quantity	Remark
None			

Safety conditions

None

Procedure

- 1 Ensure [Test stand](#) is level.
- 2 Place bicycle on the test stand.
- 3 Tighten clamps until bicycle is securely attached to the test stand.

Requirements after job completion

Required conditions

Table 7 Required conditions

Action / Condition	Data module / Technical publication
None	

Bicycle

Standard repair procedures

Table of contents

	Page
Standard repair procedures	1
References	1
Preliminary requirements	1
Procedure	3
Requirements after job completion	13

List of tables

1	References	1
2	Required conditions	1
3	Required persons	2
4	Support equipment	2
5	Consumables, materials and expendables	2
6	Spares	2
7	Required conditions	13

List of figures

1	Unseating the tire with a tire lever	4
2	Circle leak	6
3	Sanding the application area	8
4	Apply glue to application area	10
5	Apply pressure to tube	12

References

Table 1 References

Data module / Technical publication	Title
S1000DBIKE-AAA-DA0-20-00-00AA-520A-A	

Preliminary requirements

Required conditions

Table 2 Required conditions

Action / Condition	Data module / Technical publication
None	

Applicable to: Mountain bicycle
and (Mountain storm Mk1 or
Brook trekker Mk9)

S1000DBIKE-AAA-D00-00-00-00AA-663A-A

Required persons

Table 3 Required persons

Persons	Category	Skill level	Trade/Trade code	Estimated time
Man A	Operator	Basic	Bike rider	0,5 h

Support equipment

Table 4 Support equipment

Name	Manufacturer / Part No.	Quantity	Remark
Tire lever	MFR: KZ666 /PN: BSK-TLST-001-04	1 EA	
Foot pump	MFR: KZ666 /PN: BSK-TLST-001-05	1 EA	
Marker pen	MFR: KZ666 /PN: BSK-TLST-001-07	1 EA	
Tube patch kit	MFR: KZ666 /PN: BSK-TLST-001-07	1 EA	

Consumables, materials and expendables

Table 5 Consumables, materials and expendables

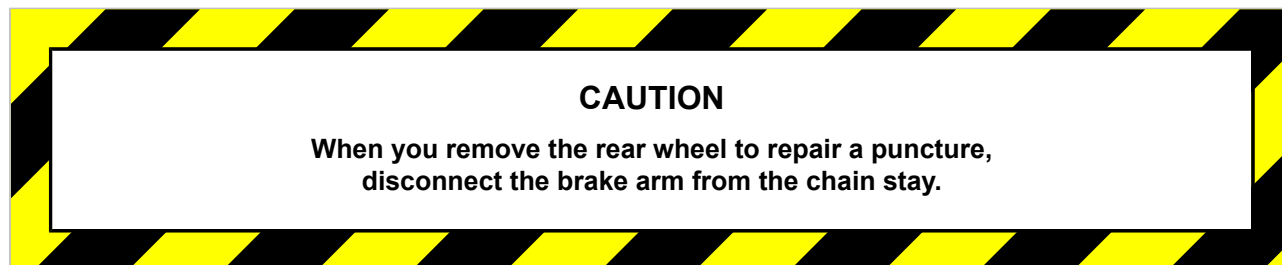
Name	Manufacturer / Part No.	Quantity	Remark
None			

Spares

Table 6 Spares

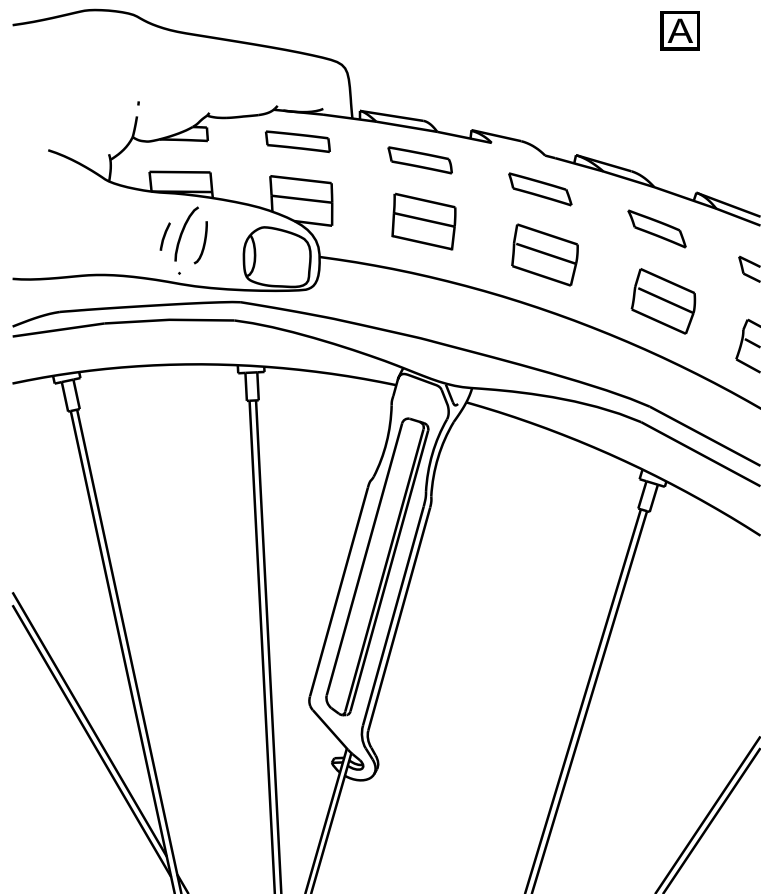
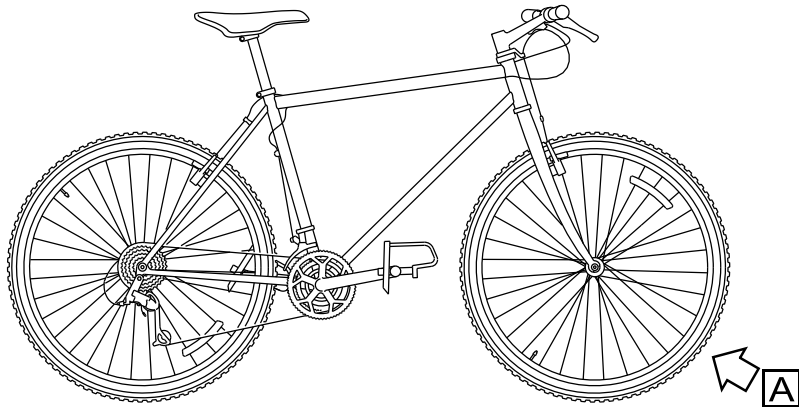
Name	Manufacturer / Part No.	Quantity	Remark
Inner-tube	MFR: KT222 /PN: IT-001	1 EA	

Safety conditions



Procedure

- 1 Remove the rear wheel. (Refer to [S1000DBIKE-AAA-DA0-20-00-00AA-520A-A](#))
- 2 Make sure that there is no air in the tube.
 - 2.1 Loosen the cap on the valve stem.
 - 2.2 Push the valve stem core down to bleed all the air.
- 3 Use a [Tire lever](#) to move the tire bead out of its seat. Lift the tire bead above the lip of the rim.

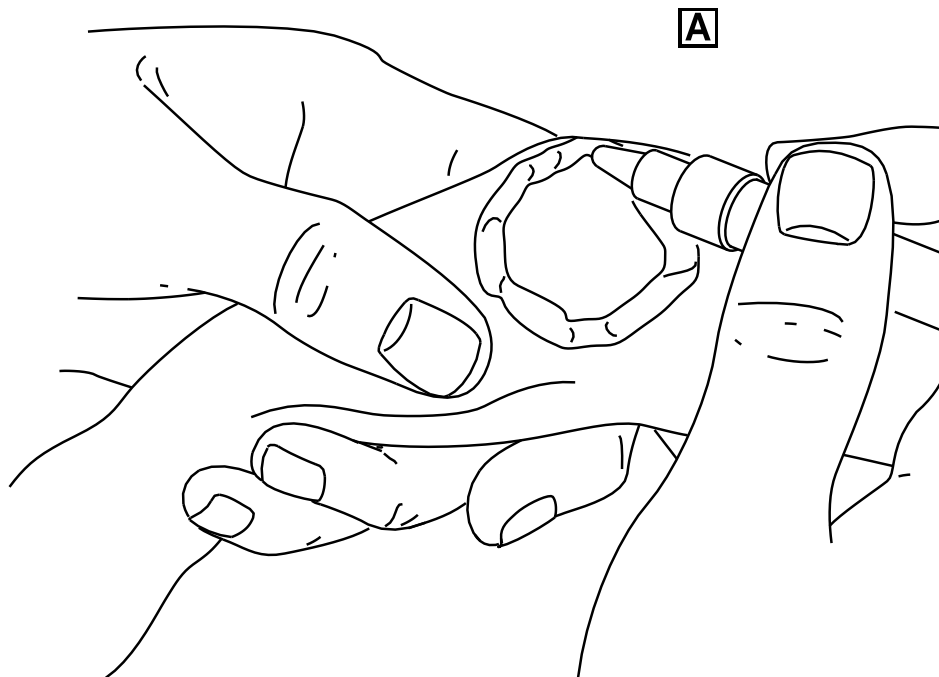
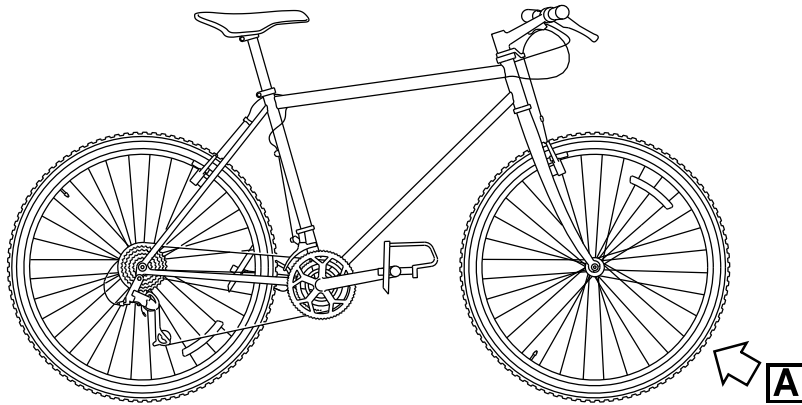


ICN-C0419-S1000D0368-001-01

Fig 1 Unseating the tire with a tire lever

Produced by Docuneering Ltd

-
- 4 Remove the tube.
 - 5 Inflate (not fully) the tube with the [Foot pump](#). Examine the tube for leaks.
 - 6 If you find a leak, identify it with a circle made with a [Marker pen](#).



Produced by Docuneering Ltd

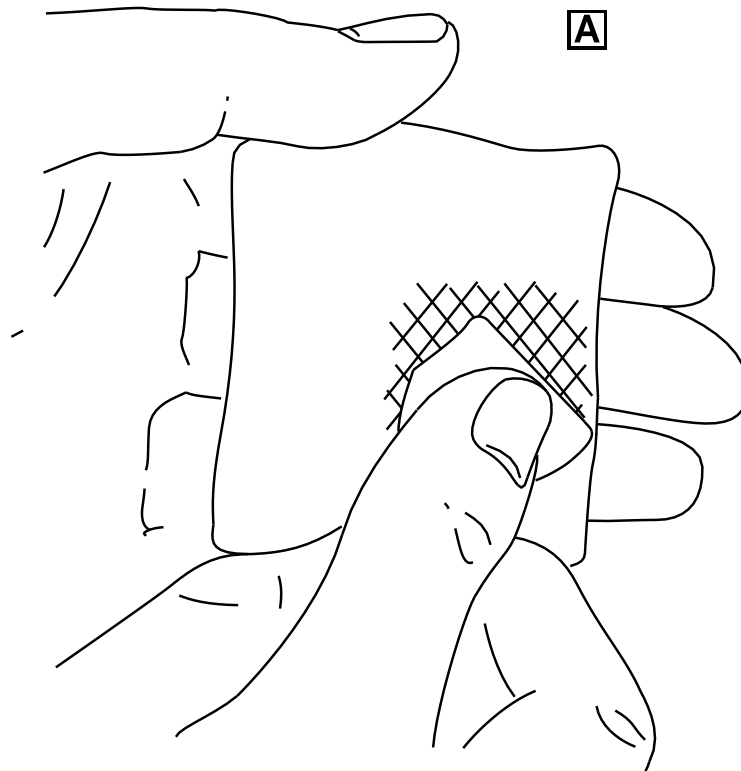
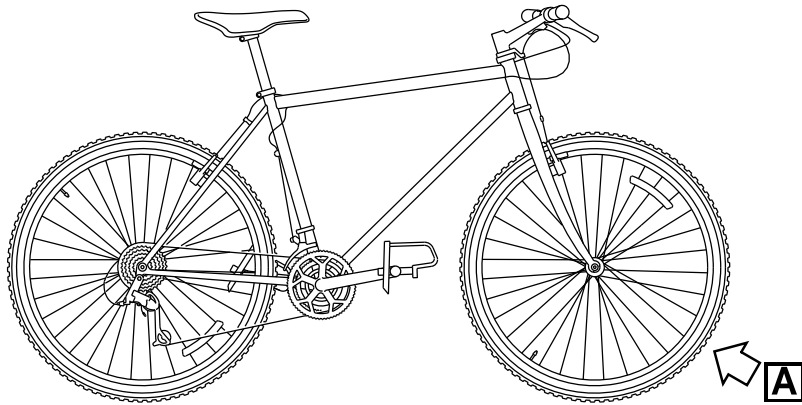
ICN-C0419-S1000D0375-001-01

Fig 2 Circle leak

Applicable to: Mountain bicycle
and (Mountain storm Mk1 or
Brook trekker Mk9)

S1000DBIKE-AAA-D00-00-00-00AA-663A-A

-
- 7 Release most of the air.
 - 8 Use a piece of sandpaper from the [Tube patch kit](#) and make the area on and around the hole rough. This will help the patch bond correctly.

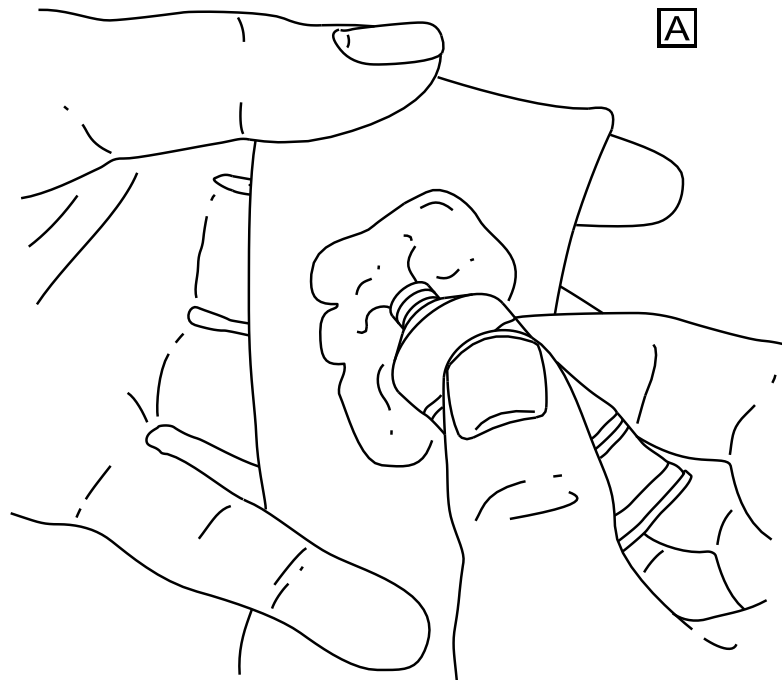
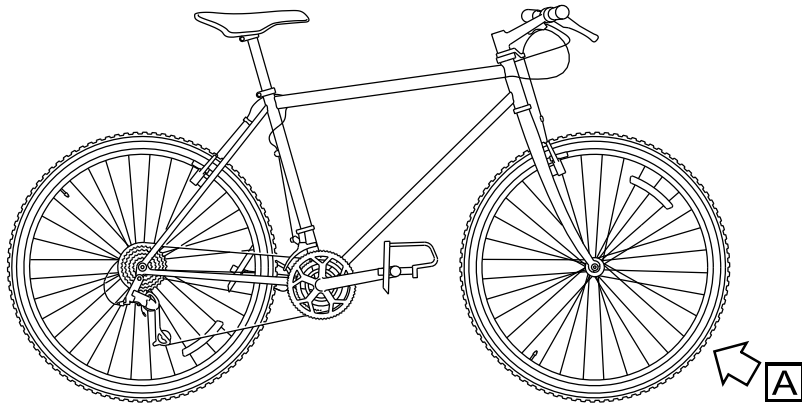


ICN-C0419-S1000D0376-001-01

Fig 3 Sanding the application area

Produced by Docuneering Ltd

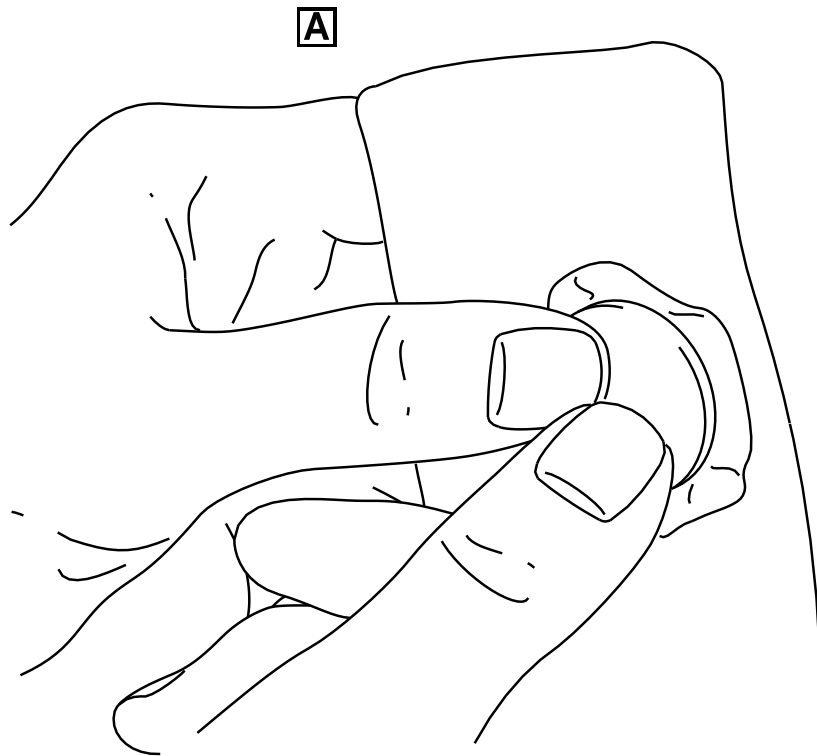
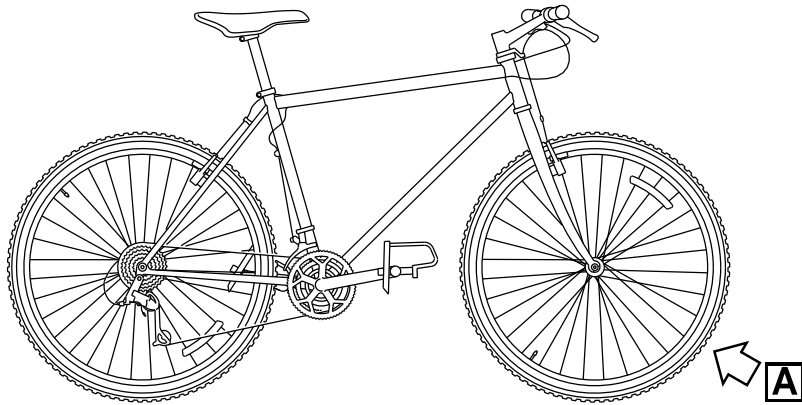
-
- 9 Apply a thin layer of glue from the patch kit on and around the hole. Make sure that the area with the glue is larger than the patch.



ICN-C0419-S1000D0377-001-01

Fig 4 Apply glue to application area

-
- 10 Let the glue dry for five minutes until it becomes tacky and dim.
 - 11 Remove the rear foil from the patch (that is a part of the patch kit) and push the patch in its position.
 - 12 Push with your thumbs from the center of the patch to the outer part of the applied area.



Produced by Docuneering Ltd

ICN-C0419-S1000D0378-001-01

Fig 5 Apply pressure to tube

-
- 13 Remove the thin cover from the patch.
 - 14 Put a very thin layer of talcum powder on and around the patch.
 - 15 Inflate (not fully) the repaired tube with the foot pump.
 - 16 Start at the valve stem and install the tube again between the tire and the rim.
 - 17 Push the valve stem through the hole in the rim.
 - 18 Make sure that the valve stem is straight.
 - 19 Install the remaining of the tire.

Requirements after job completion

Required conditions

Table 7 Required conditions

Action / Condition	Data module / Technical publication
None	

Intentionally left blank.

Bicycle

Performance support

This is a "learning" Data Module

**The Docuneering S1000D XSL-FO Stylesheets
do not yet support the "learning" Data Module**

Intentionally left blank.

Bicycle

Illustrated Parts Data - IPD

Table of contents

	Page
Illustrated Parts Data - IPD	1
References	1

List of tables

1	References	1
---	------------------	---

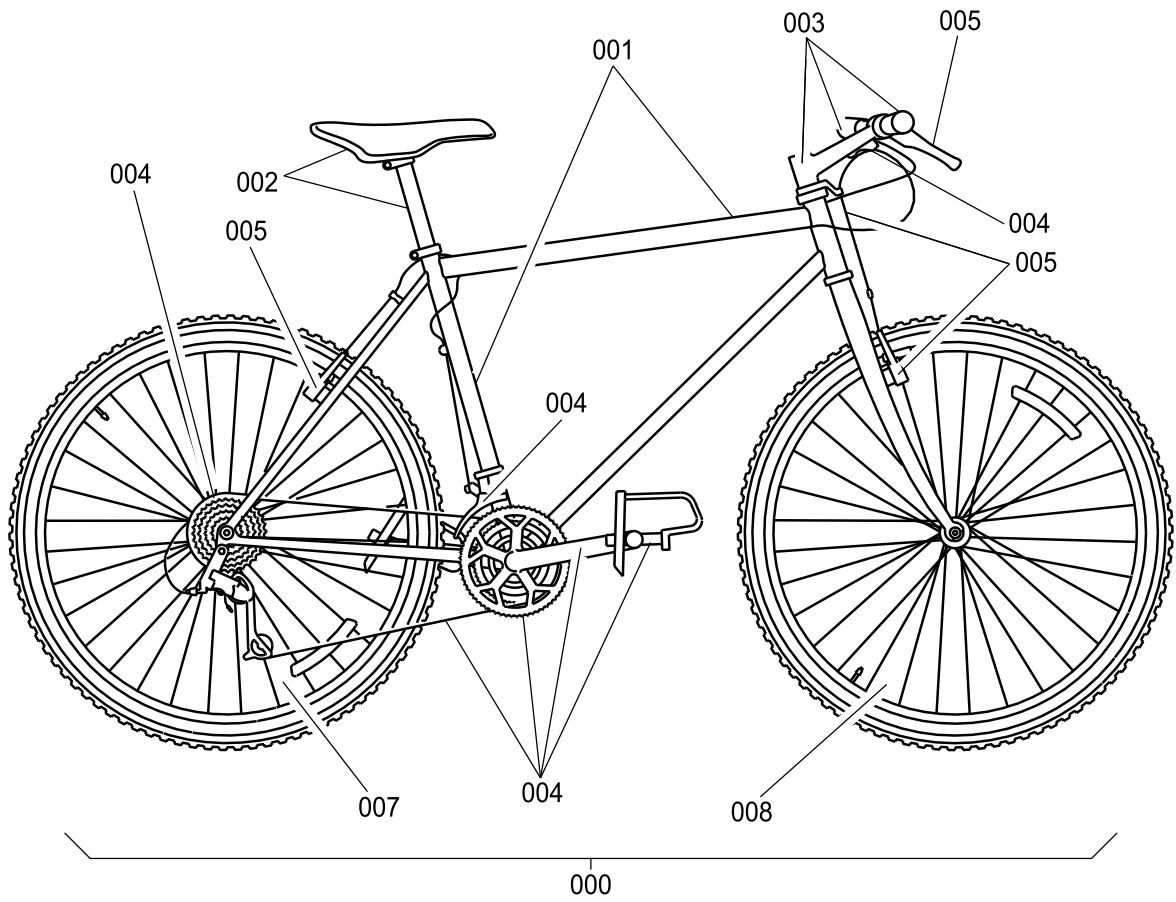
List of figures

1	Bicycle	2
---	---------------	---

References

Table 1 References

Data module / Technical publication	Title
None	



Produced by Docuneering Ltd

ICN-C0419-S1000D0361-001-01

Fig 1 Bicycle

Applicable to: Mountain bicycle
and (Mountain storm Mk1 or
Brook trekker Mk9)

S1000DBIKE-AAA-D00-00-00-01AA-941A-D

Initial provisioning project information

IPP number:KZ9990001
 IPP subject:BICYCLE
 IPP file identifier:s

Fig	Item	Units per assembly / Unit of issue	CAGE	Part No. NATO Stock No.	Description	* Usable on ICY code assy • MV/Effect
1/A						
	0	REF	KZ999	BICYCLE-001	Bicycle	• MB
	1	1 EA	KZ999	BICYCLE-001/1	• Frame assembly	• MB
	2	1 EA	KZ999	BICYCLE-001/2A	•• Seat, assembly	• MB
	2	1 EA	KZ999	BICYCLE-001/2B	•• Cruiser Seat, assembly	• MB
	3	1 EA	KZ999	BICYCLE-001/3	•• Steering system	• MB
	4	1 EA	KZ999	BICYCLE-001/4	•• Drive train system	• MB
	5	1 EA	KZ999	BICYCLE-001/5	•• Brake sub-system	• MB
	6	1 EA	KZ777	LRU1001	•• Light system	• MB
	7	1 EA	KZ888	WH-001	•• Wheel, assembly rear	• MB
	8	1 EA	KZ888	WH-002	•• Wheel, assembly front	• MB
	9	1 EA	KZ888	CP-001	•• Computer	• MB

Intentionally left blank.

Fork

Manual test

Table of contents

	Page
Manual test	1
References	1
Preliminary requirements	1
Procedure	2
Requirements after job completion	3

List of tables

1	References	1
2	Required conditions	1
3	Required persons	1
4	Support equipment	2
5	Consumables, materials and expendables	2
6	Spares	2
7	Required conditions	3

References

Table 1 References

Data module / Technical publication	Title
None	

Preliminary requirements

Required conditions

Table 2 Required conditions

Action / Condition	Data module / Technical publication
None	

Required persons

Table 3 Required persons

Persons	Category	Skill level	Trade/Trade code	Estimated time
Man A	Basic user		Operator	0,1 h

Applicable to: Mountain bicycle
and (Mountain storm Mk1 or
Brook trekker Mk9)

S1000DBIKE-AAA-D00-00-01-00AA-341A-A

Support equipment

Table 4 Support equipment

Name	Manufacturer / Part No.	Quantity	Remark
None			

Consumables, materials and expendables

Table 5 Consumables, materials and expendables

Name	Manufacturer / Part No.	Quantity	Remark
None			

Spares

Table 6 Spares

Name	Manufacturer / Part No.	Quantity	Remark
None			

Safety conditions

None

Procedure

- 1 Climb on the bicycle.
- 2 Turn right and left several times.
- 3 Ride forward the bicycle.
- 4 Make sure that the wheels are stable.
- 5 Push in the fork.
- 6 Make sure that no oil or air is leaking out the fork.

Requirements after job completion**Required conditions***Table 7 Required conditions*

Action / Condition	Data module / Technical publication
None	

Intentionally left blank.

Fork

Remove procedures

Table of contents

	Page
Remove procedures	1
References	1
Preliminary requirements	1
Procedure	2
Requirements after job completion	3

List of tables

1	References	1
2	Required conditions	1
3	Required persons	2
4	Required technical information	2
5	Support equipment	2
6	Consumables, materials and expendables	2
7	Spares	2
8	Required conditions	3

References

Table 1 References

Data module / Technical publication	Title
S1000DBIKE-AAA-DA2-10-00-00AA-520A-A	
S1000DBIKE-AAA-DA2-10-00-00AA-520A-A	
S1000DBIKE-AAA-DA2-30-00-00AA-520A-A	
S1000DBIKE-AAA-DA2-30-00-00AA-520A-A	

Preliminary requirements

Required conditions

Table 2 Required conditions

Action / Condition	Data module / Technical publication
None	

Produced by Docuneering Ltd

Required persons

Table 3 Required persons

Persons	Category	Skill level	Trade/Trade code	Estimated time
As required				

Required technical information

Table 4 Required technical information

Category	Data module / Technical publication
Data module	S1000DBIKE-AAA-DA2-10-00-00AA-520A-A
Data module	S1000DBIKE-AAA-DA2-30-00-00AA-520A-A

Support equipment

Table 5 Support equipment

Name	Manufacturer / Part No.	Quantity	Remark
None			

Consumables, materials and expendables

Table 6 Consumables, materials and expendables

Name	Manufacturer / Part No.	Quantity	Remark
None			

Spares

Table 7 Spares

Name	Manufacturer / Part No.	Quantity	Remark
None			

Safety conditions

None

Procedure

- 1 Remove the stem, refer to: [S1000DBIKE-AAA-DA2-10-00-00AA-520A-A](#)

-
- 2 Remove the headset, refer to: [S1000DBIKE-AAA-DA2-30-00-00AA-520A-A](#)
 - 3 Push the fork downwards to remove it from the frame
 - 4 Put the frame on the floor

Requirements after job completion

Required conditions

Table 8 Required conditions

Action / Condition	Data module / Technical publication
None	

Intentionally left blank.

Fork

Install procedures

Table of contents

	Page
Install procedures	1
References	1
Preliminary requirements	1
Procedure	3
Requirements after job completion	3

List of tables

1	References	1
2	Required conditions	1
3	Required persons	2
4	Required technical information	2
5	Support equipment	2
6	Consumables, materials and expendables	2
7	Spares	2
8	Required conditions	3

References

Table 1 References

Data module / Technical publication	Title
S1000DBIKE-AAA-D00-00-01-00AA-930A-A	
S1000DBIKE-AAA-DA2-10-00-00AA-720A-A	
S1000DBIKE-AAA-DA2-10-00-00AA-720A-A	
S1000DBIKE-AAA-DA2-30-00-00AA-720A-A	
S1000DBIKE-AAA-DA2-30-00-00AA-720A-A	
S1000DBIKE-AAA-DA2-40-00-00AA-720A-A	
S1000DBIKE-AAA-DA2-40-00-00AA-720A-A	

Preliminary requirements

Required conditions

Table 2 Required conditions

Action / Condition	Data module / Technical publication
None	

Applicable to: Mountain bicycle
and Mountain storm Mk1

S1000DBIKE-AAA-D00-00-01-00AA-720A-A

Required persons

Table 3 Required persons

Persons	Category	Skill level	Trade/Trade code	Estimated time
As required				

Required technical information

Table 4 Required technical information

Category	Data module / Technical publication
Data module	S1000DBIKE-AAA-DA2-10-00-00AA-720A-A
Data module	S1000DBIKE-AAA-DA2-30-00-00AA-720A-A
Data module	S1000DBIKE-AAA-DA2-40-00-00AA-720A-A

Support equipment

Table 5 Support equipment

Name	Manufacturer / Part No.	Quantity	Remark
None			

Consumables, materials and expendables

Table 6 Consumables, materials and expendables

Name	Manufacturer / Part No.	Quantity	Remark
General grease	MFR: KZ222 /PN: LL-005	As required	

Spares

Table 7 Spares

Name	Manufacturer / Part No.	Quantity	Remark
Fork set	MFR: KZ666 /PN: SPA-1000-1	1 EA	Material set
- Fork	MFR: KZ666 /PN: FK-TEL1001	1 EA	

Safety conditions

None

Applicable to: Mountain bicycle
and Mountain storm Mk1

S1000DBIKE-AAA-D00-00-01-00AA-720A-A

Procedure

- 1 Apply grease ([General grease](#)) on the headset
- 2 Install the headset, refer to: [S1000DBIKE-AAA-DA2-30-00-00AA-720A-A](#)
- 3 To install the spacers, refer to: [S1000DBIKE-AAA-DA2-40-00-00AA-720A-A](#)
- 4 Install the stem, refer to: [S1000DBIKE-AAA-DA2-10-00-00AA-720A-A](#)
- 5 Install the fork ([Fork](#))

Requirements after job completion

Required conditions

Table 8 Required conditions

Action / Condition	Data module / Technical publication
None	

Intentionally left blank.

Bicycle

Service Bulletin - Replacement of standard forward fork by telescopic fork

Table of contents

	Page
Service Bulletin - Replacement of standard forward fork by telescopic fork	1
References	1
Service bulletin	2
Management information	2
Revision information	4
Summary	4
Planning information	5
Material information	8
Accomplishment instructions	11
Additional information	11

List of tables

1	References	1
2	List of product modifications	2
3	List of impacts	2
4	Accomplishment limit	2
5	Time assessment	3
6	Service bulletin approved data modules	3
7	List of generic properties	3
8	Accomplishment time scale	6
9	Accomplishment instructions	11

References

Table 1 References

Data module / Technical publication	Title
BRAKE-AAA-DA1-00-00-00AA-341A-A	
S1000DBIKE-AAA-D00-00-00-00AA-941A-D	
S1000DBIKE-AAA-D00-00-01-001A-933A-A	
S1000DBIKE-AAA-D00-00-01-00AA-933A-A	
S1000DBIKE-AAA-D00-00-01-00AA-933A-A	
S1000DBIKE-AAA-D00-00-01-00AA-933A-A	
S1000DBIKE-AAA-DA2-10-00-00AA-520A-A	
S1000DBIKE-AAA-DA2-10-00-00AA-720A-A	
S1000DBIKE-AAA-DA2-30-00-00AA-520A-A	

Produced by Docuneering Ltd

Applicable to: Mountain bicycle
and (Mountain storm Mk1 or
Brook trekker Mk9)

S1000DBIKE-AAA-D00-00-01-00AA-930A-A

Table 1 References (Continued)

Data module / Technical publication	Title
S1000DBIKE-AAA-DA2-30-00-00AA-720A-A	

Service bulletin

Management information

Compliance category:..... Optional
 Task type:..... Modification

Table 2 List of product modifications

Ident	Class	Description	Applicability
A2001	Major	Installation of telescopic fork with 140mm clearance	Mountain bicycle and Mountain storm Mk1
A2002	Major	Installation of telescopic fork with 100mm clearance	Mountain bicycle and Brook trekker Mk9

Table 3 List of impacts

No.	Type	Quantity	Description	Applicability
1	Weight	+0.8 kg +1.76 lbm		Mountain bicycle and Mountain storm Mk1
2	Weight	+0.5 kg +1.1 lbm		Mountain bicycle and Brook trekker Mk9

List of concurrent service bulletins:..... No Info

Table 4 Accomplishment limit

No.	Time compliance	References	Applicability
1	Basic limit Limit: Perform once Grace period Limit: Perform periodically		Mountain bicycle and (Mountain storm Mk1 or Brook trekker Mk9)

Table 5 Time assessment

Duration	Estimated time	Condition	References	Applicability
1.5 h	1.5 h	S1000DBIKE-AAA-D00-00-01-00AA-933A-A		Mountain bicycle and Mountain storm Mk1
1 h	1 h	S1000DBIKE-AAA-D00-00-01-00AA-933A-A		Mountain bicycle and Brook trekker Mk9

Original issue date:..... 2019-06-28
 Service bulletin approval:..... S1000D-020AA

Table 6 Service bulletin approved data modules

Data module / Technical publication	Title
Applicable to: Mountain bicycle and (Mountain storm Mk1 or Brook trekker Mk9) S1000DBIKE-AAA-D00-00-01-00AA-933A-A	
Applicable to: Mountain bicycle and (Mountain storm Mk1 or Brook trekker Mk9) S1000DBIKE-AAA-DA0-30-00-00AA-520A-A	
Applicable to: Mountain bicycle and (Mountain storm Mk1 or Brook trekker Mk9) S1000DBIKE-AAA-DA1-20-00-00AA-520A-A	
Applicable to: Mountain bicycle and (Mountain storm Mk1 or Brook trekker Mk9) S1000DBIKE-AAA-D00-00-01-00AA-520A-A	
Applicable to: Mountain bicycle and (Mountain storm Mk1 or Brook trekker Mk9) S1000DBIKE-AAA-D00-00-01-00AA-93AA-A	
Applicable to: Mountain bicycle and Mountain storm Mk1 S1000DBIKE-AAA-D00-00-01-00AA-720A-A	
Applicable to: Mountain bicycle and Mountain storm Mk1 S1000DBIKE-AAA-DA2-40-00-00AA-720A-A	
Applicable to: Mountain bicycle and Brook trekker Mk9 S1000DBIKE-AAA-D00-00-01-00AB-720A-A	
Applicable to: Mountain bicycle and (Mountain storm Mk1 or Brook trekker Mk9) S1000DBIKE-AAA-DA1-20-00-00AA-720A-A	
Applicable to: Mountain bicycle and (Mountain storm Mk1 or Brook trekker Mk9) S1000DBIKE-AAA-DA0-30-00-00AA-720A-A	
Applicable to: Mountain bicycle and (Mountain storm Mk1 or Brook trekker Mk9) S1000DBIKE-AAA-D00-00-01-00AA-341A-A	

Table 7 List of generic properties

Type	Applicable	Applicability
Passenger comfort affected	Applicable: Yes	
Structural life extension	Applicable: Yes	

Applicable to: Mountain bicycle and (Mountain storm Mk1 or Brook trekker Mk9)

S1000DBIKE-AAA-D00-00-01-00AA-930A-A

Table 7 List of generic properties (Continued)

Type	Applicable	Applicability
Product operation affected	Applicable: Yes	

Revision information

Revision history

This document is the first issue of the Service Bulletin

Revision sequence

Original Issue date [2019-06-28](#)

Summary

Reason

A lot of customers asked for the improvement of the front hanging in order to use the bike in more severe conditions.

Description

Replacement of the fork

Compliance

[Compliance: Optional](#)

Applicability

Applicable to: Mountain bicycle and (Mountain storm Mk1 or Brook trekker Mk9)

This Service Bulletin is applicable to bikes manufactured between 01/05/2001 and 30/09/2009

Applicable to: Mountain bicycle and Mountain storm Mk1

Configuration no. 1 covers mountain bicycle Mountain storm version Mk1

Applicable to: Mountain bicycle and Brook trekker Mk9

Configuration no. 2 covers mountain bicycle Brook trekker version Mk9

Concurrent Requirements

No Info

Manpower

Applicable to: Mountain bicycle and Mountain storm Mk1

[S1000DBIKE-AAA-D00-00-01-00AA-933A-A](#)

Total workload [1.5 h](#)

Applicable to: Mountain bicycle
and (Mountain storm Mk1 or
Brook trekker Mk9)

S1000DBIKE-AAA-D00-00-01-00AA-930A-A

(Continued)

S1000DBIKE-AAA-D00-00-01-00AA-933A-A

Estimated time 1.5 h

Applicable to: Mountain bicycle and Brook trekker Mk9

S1000DBIKE-AAA-D00-00-01-00AA-933A-A

Total workload 1 h

Estimated time 1 h

Industry Support Information

For any issue with the fork assembly, please contact your local retailer.

The UK MoD Company only provides assistance via its network of retailers.

General evaluation

EVALUATION TABLE

Passenger comfort affected	Yes
Structural life extended	Yes
Bike operation affected	Yes

Planning information

Applicability

Applicable to: Mountain bicycle and (Mountain storm Mk1 or Brook trekker Mk9)

This Service Bulletin is applicable to bikes manufactured between 01/05/2001 and 30/09/2009

Applicable to: Mountain bicycle and Mountain storm Mk1

The S/N of the impacted bikes are : CAGE: U8025[PN: 1B070701]

Applicable to: Mountain bicycle and Brook trekker Mk9

The S/N of the impacted bikes are :

CAGE: U8025[PN: 1B070643] CAGE: U8025[PN: 1B070644]

Applicable to: Mountain bicycle and Mountain storm Mk1

Configuration no. 1 covers mountain bicycle Mountain storm version Mk1

Applicable to: Mountain bicycle and Brook trekker Mk9

Configuration no. 2 covers mountain bicycle Brook trekker version Mk9

Concurrent Requirements

No Info

Reason

- 1 Objective :
 - 1.1 Improvement of the bike's front hanging.
- 2 Problem and effect :
 - 2.1 A lot of customers would like to use the bike in more severe conditions.
- 3 Solution :
 - 3.1 Replacement of the fork.

Description

- 1 Replacement of the original fork
 - 1.1 **Applicable to:** Mountain bicycle and Mountain storm Mk1
by telescopic fork with a 140 mm clearance
 - 1.2 **Applicable to:** Mountain bicycle and Brook trekker Mk9
by telescopic fork with a 100 mm clearance

Compliance

- 1 **Compliance**
[Compliance: Optional](#)
- 2 The modification should be made in accordance with the customer's availability, but within the following limits (before marked wear of the frame)

Table 8 Accomplishment time scale

Limit	Grace period
Basic limit Limit: Perform once	Grace period Limit: Perform periodically

Approval

This modification has been approved and certified in conformity with the requirements of the S1000D community.

Approval No. [S1000D-020AA](#).

Manpower

Applicable to: Mountain bicycle and Mountain storm Mk1

S1000DBIKE-AAA-D00-00-01-001A-933A-A

Job Set-up	5 min
Removal	20 min
Install	60 min
Testing	5 min
Total workload	1.5 h
Estimated time	1.5 h

Applicable to: Mountain bicycle and Brook trekker Mk9

S1000DBIKE-AAA-D00-00-01-00AA-933A-A

Job Set-up	5 min
Removal	20 min
Install	30 min
Testing	5 min
Total workload	1 h
Estimated time	1 h

Weight and Balance

Applicable to: Mountain bicycle and Mountain storm Mk1

Effect on weight [Impact 1](#)

Applicable to: Mountain bicycle and Brook trekker Mk9

Effect on weight [Impact 2](#)

Electrical Load Data

No Info

Software Accomplishment Summary

No Info

Referenced Documentation

Removal of the headset [S1000DBIKE-AAA-DA2-30-00-00AA-520A-A](#)

Install of the headset [S1000DBIKE-AAA-DA2-30-00-00AA-720A-A](#)

Applicable to: Mountain bicycle
and (Mountain storm Mk1 or
Brook trekker Mk9)

S1000DBIKE-AAA-D00-00-01-00AA-930A-A

Removal of the stem [S1000DBIKE-AAA-DA2-10-00-00AA-520A-A](#)

Install of the stem [S1000DBIKE-AAA-DA2-10-00-00AA-720A-A](#)

Testing of the brakes [BRAKE-AAA-DA1-00-00-00AA-341A-A](#)

Documentation Affected

IPD [S1000DBIKE-AAA-D00-00-00-00AA-941A-D](#)

Industry Support Information

For any issue with the fork assembly, please contact your local retailer.

The UK MoD Company only provides assistance via its network of retailers.

Material information

List of material sets

Applicable to: *Mountain bicycle and Mountain storm Mk1*

- 1 Material description:
Material set reference:..... [Saw tool set](#)
Quantity:..... 1 EA
- Material description:
Material set reference:..... [Supplies](#)
- Material description:
Material set reference:..... [Fork set](#)
Quantity:..... 1 EA
- Material description:
Material set reference:..... [Removed spare set](#)
- Material description:
Material set reference:..... [Modified spare](#)

Applicable to: *Mountain bicycle and Brook trekker Mk9*

- 2 Material description:
Material set reference:..... [Saw tool set](#)
Quantity:..... 1 EA
- Material description:
Material set reference:..... [Supplies](#)
- Material description:
Material set reference:..... [Fork](#)
Quantity:..... 1 EA
- Material description:
Material set reference:..... [Removed spare set](#)
- Material description:
Material set reference:..... [Modified spare](#)

List of support equipment

Applicable to: Mountain bicycle and (Mountain storm Mk1 or Brook trekker Mk9)

- 1 Support equipment set**
- Material ident:..... BSK-TLST-200
- Material type:..... Set of material or individual material specific to the Service Bulletin
- Material issue:..... 001
- Material is procurable:..... Yes
- Supplier:..... Manufacturer
- Name:..... Saw tool set
- Individual support equipment**
- Material type:..... Set of material or individual material specific to the Service Bulletin
- Embedded support equipment description:..... Saw tool /MFR: KZ666/PN: BSK-TW-100 / QTY: 1 EA
- Individual support equipment**
- Material type:..... Set of material or individual material specific to the Service Bulletin
- Embedded support equipment description:..... Threading tool /MFR: KZ666/PN: BSK-THR-3001 /QTY: 1 EA

List of supplies

Applicable to: Mountain bicycle and (Mountain storm Mk1 or Brook trekker Mk9)

- 1 Individual supply**
- Material type:..... Set of material or individual material not specially built for the Service Bulletin
- Material is procurable:..... Yes
- Supplier:..... Any
- Embedded supply description:..... General grease /MFR: KZ222/PN: LL-005 / QTY: As required

List of spares

Applicable to: Mountain bicycle and Mountain storm Mk1

- 1 Spare set**
- Material ident:..... SPA-1000-1
- Material type:..... Set of material or individual material specific to the Service Bulletin
- Material issue:..... 001
- Material is procurable:..... Yes
- Supplier:..... Manufacturer
- Name:..... Fork set
- Procurement data:
- Price information:..... 150 USD
- Availability:..... 3 d
after purchase order reception
- Procurement address:..... KZ666

Individual spare

Material type:..... Set of material or individual material not specially built for the Service Bulletin

Embedded spare description:..... Fork /MFR: KZ666/PN: FK-TEL1001 / QTY: 1 EA

Individual spare

Material type:..... Set of material or individual material not specially built for the Service Bulletin

Embedded spare description:..... Spacer /MFR: KZ666/PN: SPC-200-12 / QTY: 2 EA

Applicable to: Mountain bicycle and Brook trekker Mk9

2 Individual spare

Material ident:..... FK-TEL1002

Material type:..... Set of material or individual material specific to the Service Bulletin

Material issue:..... 001

Material is procurable:..... Yes

Supplier:..... Manufacturer

Embedded spare description:..... Fork /MFR: KZ666/PN: FK-TEL1002 / QTY: 1 EA

Procurement data:

Price information:..... 100 USD

Availability:..... 3 d

after purchase order reception

Procurement address:..... KZ666

List of removed spares

Applicable to: Mountain bicycle and Mountain storm Mk1

1 Removed spare set

Name:..... Removed spare set

Individual removed spare

Removed spare description:..... Discarded
Fork /MFR: KZ666/PN: FK-1000

Interchangeability

Replacement part

Replaced by (02):..... Part No.: FK-TEL1001

Individual removed spare

Removed spare description:..... Discarded
Conical expansion washer Part No.: St-001-05

Applicable to: Mountain bicycle and Brook trekker Mk9

2 Removed spare set

Name:..... Removed spare set

Individual removed spare

Removed spare description:..... Discarded
Fork /MFR: KZ666/PN: FK-1000

Interchangeability

Replacement part

Replaced by (02):..... Part No.: FK-TEL1002

Individual removed spare

Removed spare description:..... Discarded
Conical expansion washer Part No.: St-001-05

Applicable to: Mountain bicycle and (Mountain storm Mk1 or Brook trekker Mk9)

3 Individual removed spare

Material type:..... Set of re-identified material
Removed spare description:..... Modified to
Wheel axis Part No.: BSK-AXS-2000

Interchangeability

Replacement part
Altered to part:..... Part No.: BSK-AXS-2001

Accomplishment instructions

Table 18 Accomplishment instructions

Data module / Technical publication	Title
S1000DBIKE-AAA-D00-00-01-00AA-933A-A	

Additional information

No Info

Intentionally left blank.

Fork

Replacement procedure

Table of contents

	Page
Replacement procedure	1
References	1
Preliminary requirements	2
Procedure	4
Requirements after job completion	4

List of tables

1	References	1
2	Required conditions	2
3	Required technical information	2
4	Support equipment	3
5	Consumables, materials and expendables	3
6	Spares	3
7	Required conditions	4

References

Table 1 References

Data module / Technical publication	Title
BRAKE-AAA-DA1-00-00-00AA-341A-A	
BRAKE-AAA-DA1-00-00-00AA-341A-A	
S1000DBIKE-AAA-D00-00-01-00AA-341A-A	
S1000DBIKE-AAA-D00-00-01-00AA-341A-A	
S1000DBIKE-AAA-D00-00-01-00AA-520A-A	
S1000DBIKE-AAA-D00-00-01-00AA-520A-A	
S1000DBIKE-AAA-D00-00-01-00AA-720A-A	
S1000DBIKE-AAA-D00-00-01-00AA-720A-A	
S1000DBIKE-AAA-D00-00-01-00AA-930A-A	
S1000DBIKE-AAA-D00-00-01-00AA-930A-A	
S1000DBIKE-AAA-D00-00-01-00AA-930A-A	
S1000DBIKE-AAA-D00-00-01-00AA-93AA-A	
S1000DBIKE-AAA-D00-00-01-00AA-93AA-A	
S1000DBIKE-AAA-D00-00-01-00AB-720A-A	
S1000DBIKE-AAA-D00-00-01-00AB-720A-A	

Produced by Docuneering Ltd

Applicable to: Mountain bicycle
and (Mountain storm Mk1 or
Brook trekker Mk9)

S1000DBIKE-AAA-D00-00-01-00AA-933A-A

Table 1 References (Continued)

Data module / Technical publication	Title
S1000DBIKE-AAA-DA0-30-00-00AA-520A-A	
S1000DBIKE-AAA-DA0-30-00-00AA-520A-A	
S1000DBIKE-AAA-DA0-30-00-00AA-720A-A	
S1000DBIKE-AAA-DA0-30-00-00AA-720A-A	
S1000DBIKE-AAA-DA1-20-00-00AA-520A-A	
S1000DBIKE-AAA-DA1-20-00-00AA-520A-A	
S1000DBIKE-AAA-DA1-20-00-00AA-720A-A	
S1000DBIKE-AAA-DA1-20-00-00AA-720A-A	

Preliminary requirements

Applicable to: Mountain bicycle and Mountain storm Mk1

Production maintenance data

Maintenance task duration

Preliminary requirements	0 h
Procedure	1,5 h
Requirements after job completion	0 h

Applicable to: Mountain bicycle and Brook trekker Mk9

Production maintenance data

Maintenance task duration

Preliminary requirements	0 h
Procedure	1 h
Requirements after job completion	0 h

Required conditions

Table 2 Required conditions

Action / Condition	Data module / Technical publication
None	

Required technical information

Table 3 Required technical information

Category	Data module / Technical publication
Data module	S1000DBIKE-AAA-DA0-30-00-00AA-520A-A
Data module	S1000DBIKE-AAA-DA1-20-00-00AA-520A-A

Applicable to: Mountain bicycle
and (Mountain storm Mk1 or
Brook trekker Mk9)

S1000DBIKE-AAA-D00-00-01-00AA-933A-A

Table 3 Required technical information (Continued)

Category	Data module / Technical publication
Data module	S1000DBIKE-AAA-D00-00-01-00AA-520A-A
Data module	S1000DBIKE-AAA-D00-00-01-00AA-93AA-A
Data module	S1000DBIKE-AAA-D00-00-01-00AA-720A-A
Data module	S1000DBIKE-AAA-D00-00-01-00AB-720A-A
Data module	S1000DBIKE-AAA-DA1-20-00-00AA-720A-A
Data module	S1000DBIKE-AAA-DA0-30-00-00AA-720A-A
Data module	S1000DBIKE-AAA-D00-00-01-00AA-341A-A
Data module	BRAKE-AAA-DA1-00-00-00AA-341A-A

Support equipment

Table 4 Support equipment

Name	Manufacturer / Part No.	Quantity	Remark
Applicable to: Mountain bicycle and (Mountain storm Mk1 or Brook trekker Mk9)			
Saw tool set		1 EA	
- Saw tool set		1 EA	

Consumables, materials and expendables

Table 5 Consumables, materials and expendables

Name	Manufacturer / Part No.	Quantity	Remark
Applicable to: Mountain bicycle and (Mountain storm Mk1 or Brook trekker Mk9)			
General grease	MFR: KZ222 /PN: LL-005	As required	

Spares

Table 6 Spares

Name	Manufacturer / Part No.	Quantity	Remark
Applicable to: Mountain bicycle and Mountain storm Mk1			
Fork set		1 EA	
- Fork set		1 EA	
Applicable to: Mountain bicycle and Brook trekker Mk9			
Fork		1 EA	
- Fork		1 EA	

Applicable to: Mountain bicycle
and (Mountain storm Mk1 or
Brook trekker Mk9)

S1000DBIKE-AAA-D00-00-01-00AA-933A-A

Safety conditions

None

Procedure

1 PREPARATION

Applicable to: Mountain bicycle and (Mountain storm Mk1 or Brook trekker Mk9)

1.1 Remove the front wheel, refer to: [S1000DBIKE-AAA-DA0-30-00-00AA-520A-A](#)

Applicable to: Mountain bicycle and (Mountain storm Mk1 or Brook trekker Mk9)

1.2 Remove the front brakes, refer to: [S1000DBIKE-AAA-DA1-20-00-00AA-520A-A](#)

2 PROCEDURE

Applicable to: Mountain bicycle and (Mountain storm Mk1 or Brook trekker Mk9)

2.1 Remove the fork, refer to: [S1000DBIKE-AAA-D00-00-01-00AA-520A-A](#)

Applicable to: Mountain bicycle and (Mountain storm Mk1 or Brook trekker Mk9)

2.2 Change the bike axis, refer to: [S1000DBIKE-AAA-D00-00-01-00AA-93AA-A](#)

Applicable to: Mountain bicycle and Mountain storm Mk1

2.3 Install the new fork, refer to: [S1000DBIKE-AAA-D00-00-01-00AA-720A-A](#)

Applicable to: Mountain bicycle and Brook trekker Mk9

2.3 Install the new fork, refer to: [S1000DBIKE-AAA-D00-00-01-00AB-720A-A](#)

Applicable to: Mountain bicycle and (Mountain storm Mk1 or Brook trekker Mk9)

2.4 Install the front brakes, refer to: [S1000DBIKE-AAA-DA1-20-00-00AA-720A-A](#)

Applicable to: Mountain bicycle and (Mountain storm Mk1 or Brook trekker Mk9)

2.5 Install the front wheel, refer to: [S1000DBIKE-AAA-DA0-30-00-00AA-720A-A](#)

3 TEST

Applicable to: Mountain bicycle and (Mountain storm Mk1 or Brook trekker Mk9)

3.1 Test that the fork is properly installed, refer to: [S1000DBIKE-AAA-D00-00-01-00AA-341A-A](#)

Applicable to: Mountain bicycle and (Mountain storm Mk1 or Brook trekker Mk9)

3.2 Front brakes test, refer to: [BRAKE-AAA-DA1-00-00-00AA-341A-A](#)

Requirements after job completion

Required conditions

Table 7 Required conditions

Action / Condition	Data module / Technical publication
None	

Applicable to: Mountain bicycle
and (Mountain storm Mk1 or
Brook trekker Mk9)

S1000DBIKE-AAA-D00-00-01-00AA-933A-A

End of data module

UNCLASSIFIED

2019-06-28 Page 4

Bicycle axis

Modification procedures

Table of contents

	Page
Modification procedures	1
References	1
Preliminary requirements	1
Procedure	2
Requirements after job completion	2

List of tables

1	References	1
2	Required conditions	1
3	Support equipment	1
4	Consumables, materials and expendables	2
5	Spares	2
6	Required conditions	2

References

Table 1 References

Data module / Technical publication	Title
S1000DBIKE-AAA-D00-00-01-00AA-930A-A	

Preliminary requirements

Required conditions

Table 2 Required conditions

Action / Condition	Data module / Technical publication
None	

Support equipment

Table 3 Support equipment

Name	Manufacturer / Part No.	Quantity	Remark
Saw tool set		1 EA	Material set
- Saw tool	MFR: KZ666 /PN: BSK-TW-100	1 EA	

Applicable to: Mountain bicycle
and (Mountain storm Mk1 or
Brook trekker Mk9)

S1000DBIKE-AAA-D00-00-01-00AA-93AA-A

Table 3 Support equipment (Continued)

Name	Manufacturer / Part No.	Quantity	Remark
- Threading tool	MFR: KZ666 /PN: BSK-THR-3001	1 EA	

Consumables, materials and expendables

Table 4 Consumables, materials and expendables

Name	Manufacturer / Part No.	Quantity	Remark
None			

Spares

Table 5 Spares

Name	Manufacturer / Part No.	Quantity	Remark
Wheel axis	MFR: KZ666 /PN: BSK-AXS-2001	1 EA	Modified from
- Wheel axis	MFR: KZ666 /PN: BSK-AXS-2000	1 EA	

Safety conditions

None

Procedure

- 1 Use the ([Saw tool](#)) to saw the ([Wheel axis](#))
Use the ([Threading tool](#)) when the saw is unbended
- 2 Put the frame on the floor

Requirements after job completion

Required conditions

Table 6 Required conditions

Action / Condition	Data module / Technical publication
None	

Fork

Install procedures

Table of contents

	Page
Install procedures	1
References	1
Preliminary requirements	1
Procedure	3
Requirements after job completion	3

List of tables

1	References	1
2	Required conditions	1
3	Required persons	2
4	Required technical information	2
5	Support equipment	2
6	Consumables, materials and expendables	2
7	Spares	2
8	Required conditions	3

References

Table 1 References

Data module / Technical publication	Title
S1000DBIKE-AAA-D00-00-01-00AA-930A-A	
S1000DBIKE-AAA-DA2-10-00-00AA-720A-A	
S1000DBIKE-AAA-DA2-10-00-00AA-720A-A	
S1000DBIKE-AAA-DA2-30-00-00AA-720A-A	
S1000DBIKE-AAA-DA2-30-00-00AA-720A-A	

Preliminary requirements

Required conditions

Table 2 Required conditions

Action / Condition	Data module / Technical publication
None	

Applicable to: Mountain bicycle
and Brook trekker Mk9

S1000DBIKE-AAA-D00-00-01-00AB-720A-A

Required persons

Table 3 Required persons

Persons	Category	Skill level	Trade/Trade code	Estimated time
As required				

Required technical information

Table 4 Required technical information

Category	Data module / Technical publication
Data module	S1000DBIKE-AAA-DA2-10-00-00AA-720A-A
Data module	S1000DBIKE-AAA-DA2-30-00-00AA-720A-A

Support equipment

Table 5 Support equipment

Name	Manufacturer / Part No.	Quantity	Remark
None			

Consumables, materials and expendables

Table 6 Consumables, materials and expendables

Name	Manufacturer / Part No.	Quantity	Remark
General grease	MFR: KZ222 /PN: LL-005	As required	

Spares

Table 7 Spares

Name	Manufacturer / Part No.	Quantity	Remark
Fork		1 EA	
- Fork		1 EA	

Safety conditions

None

Procedure

- 1 Apply grease ([General grease](#)) on the headset
- 2 Install the headset, refer to: [S1000DBIKE-AAA-DA2-30-00-00AA-720A-A](#)
- 3 Install the stem, refer to: [S1000DBIKE-AAA-DA2-10-00-00AA-720A-A](#)
- 4 Install the fork ([Fork](#))

Requirements after job completion

Required conditions

Table 8 Required conditions

Action / Condition	Data module / Technical publication
None	

Intentionally left blank.

Bicycle

Time limits

Table of contents

	Page
Time limits	1
References	1
Time limits	1

List of tables

1	References	1
---	------------------	---

References

Table 1 References

Data module / Technical publication	Title
None	

Time limits

Ident	Equipment	Qty	Time limits	Applicability
001	Bicycle MFR: KZ555 /PN: Bicycle-001	1 EA	Type: Functional check 1 Day ± 1 Type: On condition 1 Day	Mountain bicycle and (Mountain storm Mk1 or Brook trekker Mk9)
002	Brake pads MFR: KT444 /PN: BR- PADS-001	4 EA	Category: Cat 1 Type: On condition 1 Month	Mountain bicycle and (Mountain storm Mk1 or Brook trekker Mk9)
003	Chain MFR: KZ555 /PN: Ch-001		Type: On condition 1 Month	Mountain bicycle and (Mountain storm Mk1 or Brook trekker Mk9)
004	Hub bearings MFR: KZ555 /PN: HB-001	2 EA	Category: Cat 1 Type: Check maintenance 6 Month ± 1	Mountain bicycle and (Mountain storm Mk1 or Brook trekker Mk9)

Produced by Docuneering Ltd

Intentionally left blank.

Bicycle

Scheduled maintenance lists

List of tasks

Task ident	Description
001	To do the pre-ride checks
002	To do the post-ride maintenance
003	Clean brake pads
004	Clean the chain
005	Clean the hub bearings

Table of contents

	Page
Scheduled maintenance lists	1
References	2
Task ident: 001	2
Task ident: 002	5
Task ident: 003	7
Task ident: 004	9
Task ident: 005	11

List of tables

1	References	2
2	Required conditions	2
3	Required persons	3
4	Support equipment	3
5	Consumables, materials and expendables	3
6	Spares	3
7	Required conditions	5
8	Required persons	5
9	Support equipment	5
10	Consumables, materials and expendables	5
11	Spares	5
12	Required conditions	7
13	Required persons	7
14	Support equipment	7
15	Consumables, materials and expendables	7
16	Spares	7
17	Required conditions	9
18	Required persons	9
19	Support equipment	9
20	Consumables, materials and expendables	9
21	Spares	10
22	Required conditions	11
23	Required persons	11

List of tables (Continued)

24	Support equipment	11
25	Consumables, materials and expendables	11
26	Spares	12

References

Table 1 References

Data module / Technical publication	Title
S1000DBIKE-AAA-DA0-20-00-00AA-520A-A	
D6-1234	My Publication

Task ident: 001

Task code:..... General visual inspection (GVI)
 Worthiness limitation:..... Recommended
 Reduced maintenance:..... No
 Skill type:..... Airframe (AIRPL)
 Task description:..... To do the pre-ride checks

Requirement source

Source of requirement:..... MRB
 Approval:..... ap01

Source type

Code:..... stc51
 Source criticality:..... sc55

Preliminary requirements

Required conditions

Table 2 Required conditions

Action / Condition	Data module / Technical publication
None	

Required persons

Table 3 Required persons

Persons	Category	Skill level	Trade/Trade code	Estimated time
Man A	Basic user		Operator	0,3 h

Support equipment

Table 4 Support equipment

Name	Manufacturer / Part No.	Quantity	Remark
Tire pressure gauge	MFR: KZ666 /PN: BSK-TLST-001-01	1 EA	
Specialist toolset	MFR: KZ666 /PN: BSK-TLST-001	1 EA	

Consumables, materials and expendables

Table 5 Consumables, materials and expendables

Name	Manufacturer / Part No.	Quantity	Remark
General lubricant	MFR: KZ222 /PN: LL-001	As required	

Spares

Table 6 Spares

Name	Manufacturer / Part No.	Quantity	Remark
None			

Safety conditions

None

References

[S1000DBIKE-AAA-D00-00-00-00AA-121A-A](#)

Equipment

- Bicycle
MFR: KZ555 /PN: Bicycle-001

Limit

Perform once
Interval: 1 Day \pm 1
Inspection type: Daily

Task ident: 002

Worthiness limitation:..... Recommended
 Reduced maintenance:..... No
 Task description:..... To do the post-ride maintenance

Preliminary requirements

Required conditions

Table 7 Required conditions

Action / Condition	Data module / Technical publication
None	

Required persons

Table 8 Required persons

Persons	Category	Skill level	Trade/Trade code	Estimated time
Man A	Basic user		Operator	0,3 h

Support equipment

Table 9 Support equipment

Name	Manufacturer / Part No.	Quantity	Remark
Specialist toolset	MFR: KZ666 /PN: BSK-TLST-001	1 EA	

Consumables, materials and expendables

Table 10 Consumables, materials and expendables

Name	Manufacturer / Part No.	Quantity	Remark
General lubricant	MFR: KZ222 /PN: LL-001	As required	

Spares

Table 11 Spares

Name	Manufacturer / Part No.	Quantity	Remark
None			

Applicable to: Mountain bicycle
 and (Mountain storm Mk1 or
 Brook trekker Mk9)

S1000DBIKE-AAA-D05-20-00-00AA-000A-A

Safety conditions

None

References

[S1000DBIKE-AAA-D00-00-00-00AA-151A-A](#)

Equipment

- Bicycle
MFR: KZ555 /PN: Bicycle-001

Limit

On condition
Condition: Dirty
1 Day ± 1
Inspection type: Daily

Task ident: 003

Worthiness limitation:..... Recommended
 Reduced maintenance:..... Yes
 Task description:..... Clean brake pads

Preliminary requirements

Required conditions

Table 12 Required conditions

Action / Condition	Data module / Technical publication
None	

Required persons

Table 13 Required persons

Persons	Category	Skill level	Trade/Trade code	Estimated time
Man A	Basic user		Operator	0,3 h

Support equipment

Table 14 Support equipment

Name	Manufacturer / Part No.	Quantity	Remark
None			

Consumables, materials and expendables

Table 15 Consumables, materials and expendables

Name	Manufacturer / Part No.	Quantity	Remark
Rubbing alcohol	MFR: KZ222 /PN: LL-002	As required	

Spares

Table 16 Spares

Name	Manufacturer / Part No.	Quantity	Remark
None			

Applicable to: Mountain bicycle
 and (Mountain storm Mk1 or
 Brook trekker Mk9)

S1000DBIKE-AAA-D05-20-00-00AA-000A-A

Safety conditions

None

References

[S1000DBIKE-AAA-DA1-10-00-00AA-251A-A](#)

Equipment

- Brake pads
MFR: KT444 /PN: BR-PADS-001

Limit

Perform periodically

Inspection type: Monthly

Limit range:

from: 1 Month

to: 1 Month

Task ident: 004

Worthiness limitation:..... Recommended
 Reduced maintenance:..... Yes
 Task description:..... Clean the chain

Preliminary requirements

Required conditions

Table 17 Required conditions

Action / Condition	Data module / Technical publication
None	

Required persons

Table 18 Required persons

Persons	Category	Skill level	Trade/Trade code	Estimated time
Man A	Basic user		Operator	0,3 h

Support equipment

Table 19 Support equipment

Name	Manufacturer / Part No.	Quantity	Remark
Stiff bristle brush	MFR: KZ666 /PN: BSK-TLST-001-02	1 EA	
Chain cleaning fluid	MFR: KZ222 /PN: LL-003	As required	
Chain cleaning tool	MFR: KZ666 /PN: BSK-TLST-001-03	1 EA	

Consumables, materials and expendables

Table 20 Consumables, materials and expendables

Name	Manufacturer / Part No.	Quantity	Remark
Floor covering		As required	
General lubricant	MFR: KZ222 /PN: LL-001	As required	

Spares

Table 21 Spares

Name	Manufacturer / Part No.	Quantity	Remark
None			

Safety conditions

None

References

[S1000DBIKE-AAA-DA4-10-00-00AA-251B-A](#)

[S1000DBIKE-AAA-D00-00-00-00AA-121A-A](#)

Equipment

- Chain
MFR: KZ555 /PN: Ch-001

Limit

Perform periodically

Condition: Dirty

1 Month

Inspection type: Monthly

Trigger event

[S1000DBIKE-AAA-D00-00-00-00AA-121A-A](#)

Task ident: 005

Worthiness limitation:..... Recommended
 Reduced maintenance:..... No
 Task description:..... Clean the hub bearings

Requirement source

Source of requirement:..... MRB
 Reference:..... D6-1234

Source type

Code:..... stc52
 Source criticality:..... sc59

Preliminary requirements

Required conditions

Table 22 Required conditions

Action / Condition	Data module / Technical publication
Rear wheel removed	S1000DBIKE-AAA-DA0-20-00-00AA-520A-A

Required persons

Table 23 Required persons

Persons	Category	Skill level	Trade/Trade code	Estimated time
Man B	Supervisor	Advanced	Bicycle mechanic	0,8 h
Man A	Basic user		Operator	0,3 h

Support equipment

Table 24 Support equipment

Name	Manufacturer / Part No.	Quantity	Remark
Specialist toolset	MFR: KZ666 /PN: BSK-TLST-001	1 EA	

Consumables, materials and expendables

Table 25 Consumables, materials and expendables

Name	Manufacturer / Part No.	Quantity	Remark
Degreasing agent	MFR: KZ222 /PN: LL-004	As required	

Applicable to: Mountain bicycle
 and (Mountain storm Mk1 or
 Brook trekker Mk9)

S1000DBIKE-AAA-D05-20-00-00AA-000A-A

Table 25 Consumables, materials and expendables (Continued)

Name	Manufacturer / Part No.	Quantity	Remark
General grease	MFR: KZ222 /PN: LL-005	As required	

Spares

Table 26 Spares

Name	Manufacturer / Part No.	Quantity	Remark
None			

Safety conditions

None

Equipment

- Hubs
MFR: KZ555 /PN: HB-002

Supervise

Supervisor level:..... Low

Limit

Perform periodically
6 Month
Inspection type: 6 Monthly
Limit range:
from: 6 Month ± 1

Bicycle

Scheduled maintenance checks

Table of contents

	Page
Scheduled maintenance checks	1
References	1
Inspection definitions	1

List of tables

1	References	1
---	------------------	---

References

Table 1 References

Data module / Technical publication	Title
None	

Inspection definitions

Limits		Applicability
No.	Task	References
	<ul style="list-style-type: none"> • On condition Condition: Pre-ride 1 Week ± 1 Inspection type: Pre Limit range: <li style="padding-left: 20px;">from: 1 Week ± 1 	
001	Inspect Brakes To do an inspection of the brakes	S1000DBIKE-AAA-D00-00-00-00AA-121A-A
002	Inspect brakes installation To do an inspection of the brakes installation	S1000DBIKE-AAA-D00-00-00-00AA-121A-A
003	Check Tire Pressure To do a check of the tire pressure	S1000DBIKE-AAA-D00-00-00-00AA-121A-A
004	Inspect wheel condition To do an inspection of the wheel condition	S1000DBIKE-AAA-D00-00-00-00AA-121A-A

Produced by Docuneering Ltd

(Continued)

Limits		Applicability
No.	Task	References
005	Check headset bearings To do a check of the headset bearings	S1000DBIKE-AAA-D00-00-00-00AA-121A-A
006	Carry out chain checks To do a check of the chain	S1000DBIKE-AAA-D00-00-00-00AA-121A-A

Bicycle

Maintenance Allocation Chart

Table of contents

	Page
Maintenance Allocation Chart	1
References	1
Maintenance allocation chart	1
Tools list	8
Remarks list	9

List of tables

1	References	1
2	Bicycle	1
3	Maintenance Tools	8
4	Remarks List	9

References

Table 1 References

Data module / Technical publication	Title
None	

Maintenance allocation chart

Table 2 Bicycle

Group Equipment	Component/ Assembly	Maintenance Function	Maintenance Level					Tools and Equipment Ref. Code	Remarks Code
			1	2	3	4	5		
00	Frame	Inspect	0.1						
0101	Front Wheel	Inspect	0.1					TL01, TL07	
		Test	0.1					TL01, TL07	
		Adjust	0.2					TL01, TL04, TL07	
		Align	0.2					TL01, TL04, TL07	
		Remove/ Install	0.3					TL01, TL07	
		Replace	0.3					TL01, TL07	
		Repair	0.5					TL01, TL07	

Produced by Docuneering Ltd

Applicable to: Mountain bicycle and (Mountain storm Mk1 or Brook trekker Mk9)

S1000DBIKE-AAA-D05-80-00-00AA-916A-A

Table 2 Bicycle (Continued)

Group Equipment	Component/ Assembly	Maintenance Function	Maintenance Level					Tools and Equipment Ref. Code	Remarks Code
			1	2	3	4	5		
0102	Tire	Inspect	0.1					TL01, TL02	
		Test	0.1					TL06	
		Service	0.1					TL01, TL02, TL06, TL07	
		Adjust	0.1					TL01, TL02, TL06, TL07	
		Remove/ Install	0.5					TL01, TL02, TL05, TL06, TL07	
		Replace	0.5					TL01, TL02, TL05, TL06, TL07	
		Repair	1.0					TL01, TL02, TL03, TL06, TL07	
0201	Rear Wheel	Inspect	0.1					TL01	
		Test	0.1					TL01	
		Adjust	0.2					TL01, TL04, TL07	
		Align	0.2					TL01, TL04, TL07	
		Remove/ Install	0.3					TL01, TL04, TL07	
		Replace	0.3					TL01, TL04, TL07	
		Repair	0.5					TL01, TL04, TL07	
0202	Tire	Inspect	0.1					TL01, TL02	
		Test	0.1					TL06	
		Service	0.1					TL01, TL02, TL06, TL07	
		Adjust	0.1					TL01, TL02, TL06, TL07	
		Remove/ Install	0.5					TL01, TL02, TL05, TL06, TL07	
		Replace	0.5					TL01, TL02, TL05, TL06, TL07	

Produced by Docuneering Ltd

Applicable to: Mountain bicycle and (Mountain storm Mk1 or Brook trekker Mk9)

S1000DBIKE-AAA-D05-80-00-00AA-916A-A

Table 2 Bicycle (Continued)

Group Equipment	Component/ Assembly	Maintenance Function	Maintenance Level					Tools and Equipment Ref. Code	Remarks Code
			1	2	3	4	5		
03	Seat and Seat Post	Repair	1.0					TL01, TL02, TL03, TL06, TL07	
		Inspect	0.1						
		Adjust	0.2					TL01, TL04	
		Remove/ Install	0.4					TL01, TL04, TL07	
		Replace	0.5					TL01, TL04, TL07	
04	Handlebars	Inspect	0.1						A1
		Adjust	0.1					TL01, TL04, TL07	
		Align	0.1					TL01, TL04, TL07	
		Remove/ Install	0.5					TL01, TL04, TL07	
		Replace	0.5					TL01, TL04, TL07	
05	Handle Bar Stem	Inspect	0.5					TL04, TL07	
		Remove/ Install	2.0					TL04, TL07	
		Replace	2.0					TL04, TL07	
06	Crank	Inspect	0.2						
		Test	0.2					TL07	
		Remove/ Install	1.0					TL01, TL04, TL07	
		Replace	1.0					TL01, TL04, TL07	
07	Pedals	Inspect	0.2						
		Test	0.2					TL07	
		Adjust	0.3					TL01, TL04, TL07	
		Align	0.3					TL01, TL04, TL07	
		Remove/ Install	1.0					TL01, TL04, TL07	
		Replace	1.0					TL01, TL04, TL07	

Produced by Docuneering Ltd

Applicable to: Mountain bicycle and (Mountain storm Mk1 or Brook trekker Mk9)

S1000DBIKE-AAA-D05-80-00-00AA-916A-A

Table 2 Bicycle (Continued)

Group Equipment	Component/ Assembly	Maintenance Function	Maintenance Level					Tools and Equipment Ref. Code	Remarks Code
			1	2	3	4	5		
08	Chain	Repair	1.0					TL01, TL04, TL07	
		Inspect	0.2						
		Test	0.2					TL07	
		Service	0.3					TL01, TL04, TL07	
		Adjust	0.4					TL01, TL04, TL07	
		Remove/ Install	0.8					TL01, TL04, TL07	
		Replace	0.8					TL01, TL04, TL07	
0901	Gears-Front chain ring	Repair	1.0					TL01, TL04, TL07	
		Inspect	0.2						
		Test	0.3					TL07	
		Service	0.3					TL01, TL04, TL07	
		Adjust	0.3					TL01, TL04, TL07	
		Align	0.3					TL01, TL04, TL07	
		Calibrate	0.8					TL01, TL04, TL07	
		Remove/ Install	1.0					TL01, TL04, TL07	
		Replace	1.0					TL01, TL04, TL07	
		Repair	0.8					TL01, TL04, TL07	
		Overhaul		2.5				TL01, TL04, TL07	
		Rebuild		2.5				TL01, TL04, TL07	
		0902	Gears-Rear freewheel	Inspect	0.3				
Test	0.3							TL07	

Produced by Docuneering Ltd

Applicable to: Mountain bicycle and (Mountain storm Mk1 or Brook trekker Mk9)

S1000DBIKE-AAA-D05-80-00-00AA-916A-A

Table 2 Bicycle (Continued)

Group Equipment	Component/ Assembly	Maintenance Function	Maintenance Level					Tools and Equipment Ref. Code	Remarks Code
			1	2	3	4	5		
0903	Gears-Derailleurs	Service	0.5					TL01, TL04, TL07	
		Adjust	0.5					TL01, TL04, TL07	
		Align	0.5					TL01, TL04, TL07	
		Calibrate		0.8				TL01, TL04, TL07	
		Remove/ Install		2.0				TL01, TL04, TL07	
		Replace		2.0				TL01, TL04, TL07	
		Repair		2.5				TL01, TL04, TL07	
		Overhaul		3.0				TL01, TL04, TL07	
		Rebuild		4.0				TL01, TL04, TL07	
		Inspect	0.5						
		Test	0.5					TL07	
		Service	0.5					TL01, TL04, TL07	
		Adjust	0.5					TL01, TL04, TL07	
		Align		0.5				TL01, TL04, TL07	
		Calibrate		1.0				TL01, TL04, TL07	
		Remove/ Install		2.0				TL01, TL04, TL07	
		Replace		2.0				TL01, TL04, TL07	
		Repair		2.0				TL01, TL04, TL07	
		Overhaul		3.0				TL01, TL04, TL07	
		Rebuild		4.0				TL01, TL04, TL07	
0904	Gears-Shift levers	Inspect	0.2						

Produced by Docuneering Ltd

Applicable to: Mountain bicycle and (Mountain storm Mk1 or Brook trekker Mk9)

S1000DBIKE-AAA-D05-80-00-00AA-916A-A

Table 2 Bicycle (Continued)

Group Equipment	Component/ Assembly	Maintenance Function	Maintenance Level					Tools and Equipment Ref. Code	Remarks Code
			1	2	3	4	5		
0905	Gears-Cables	Test	0.3					TL07	
		Service	0.3					TL01, TL04	
		Adjust	0.3					TL01, TL04, TL07	
		Calibrate		1.0				TL01, TL04, TL07	
		Remove/ Install		1.5				TL01, TL04, TL07	
		Replace	1.5					TL01, TL04, TL07	
		Repair		1.5				TL01, TL04, TL07	
		Inspect	0.3						
		Test	0.3						
		Service	0.3					TL01, TL04, TL07	
		Adjust	0.5					TL01, TL04, TL07	
		Remove/ Install		2.0				TL01, TL04, TL07	
		Replace	2.0					TL01, TL04, TL07	
		1001	Brakes-Handlebar actuators	Inspect	0.3				
Test	0.3								
Service	0.4							TL01, TL04	
Adjust	0.4							TL01, TL04	
Align	0.4							TL01, TL04	
Remove/ Install	1.0							TL01, TL04	
Replace	1.0							TL01, TL04	
1002	Brakes-Cables	Repair	1.5					TL01, TL04	
		Inspect	0.2						
		Test	0.2						
		Service	0.4					TL01, TL04	
		Adjust	0.4					TL01, TL04	
Align	0.5					TL01, TL04			

Produced by Docuneering Ltd

Applicable to: Mountain bicycle and (Mountain storm Mk1 or Brook trekker Mk9)

S1000DBIKE-AAA-D05-80-00-00AA-916A-A

Table 2 Bicycle (Continued)

Group Equipment	Component/ Assembly	Maintenance Function	Maintenance Level					Tools and Equipment Ref. Code	Remarks Code
			1	2	3	4	5		
1003	Brakes-Calipers	Remove/ Install	1.0					TL01, TL04	
		Replace	1.0					TL01, TL04	
		Inspect	0.2						
		Test	0.2						
		Service	0.5					TL01, TL04	
		Adjust	0.5					TL01, TL04	
		Align	0.5					TL01, TL04	
1005	Brakes-Pads	Remove/ Install	1.0					TL01, TL04	
		Replace	1.0					TL01, TL04	
		Inspect	0.2						
		Test	0.2						
		Service	0.3					TL01, TL04	
		Adjust	0.3					TL01, TL04	
		Align	0.3					TL01, TL04	
		Remove/ Install	0.8					TL01, TL04	
	Replace	0.8					TL01, TL04		

Tool and Test Equipment Requirements

Table 3 Maintenance Tools

Reference Code	Maintenance Category	Nomenclature	NATO Stock Number	Tool Number
TL01	Level 1	Specialist Toolset		tool-001
TL02	Level 1	Foot Pump		tool-002
TL03	Level 1	Patch Kit		tool-003
TL04	Level 1	Allen wrench set		tool-004
TL05	Level 1	Tire Lever		tool-005
TL06	Level 1	Tire Pressure Gauge		tool-006
TL07	Level 2	Test Stand		tool-007

Remarks*Table 4 Remarks List*

Remarks Code	Remarks
A1	Headlight not installed

Intentionally left blank.

Wheel

Description of how it is made

Table of contents

	Page
Description of how it is made	1
References	1
Description	1
1 The bicycle wheel	1
1.1 Spokes	4
1.2 Wheel rim	4
1.3 Tube and tire	6

List of tables

1 References	1
--------------------	---

List of figures

1 Parts of the wheel	3
2 The tire and rim	5
3 Valve	7

References

Table 1 References

Data module / Technical publication	Title
None	

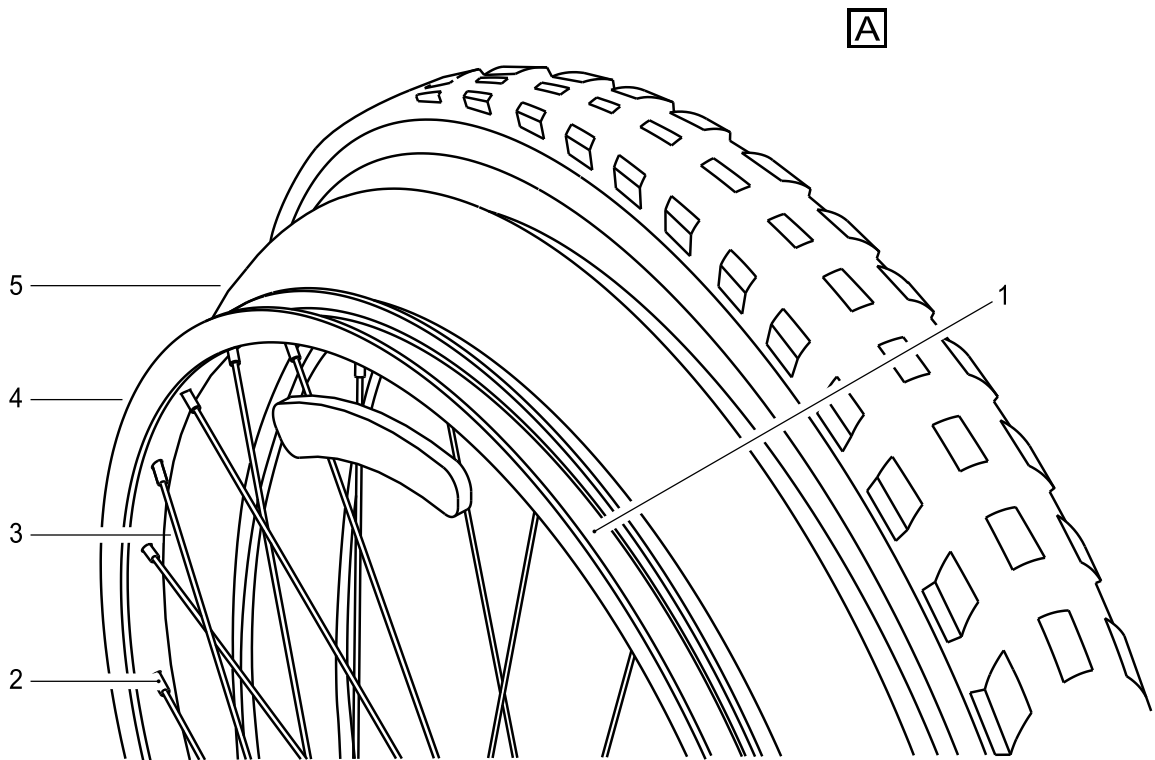
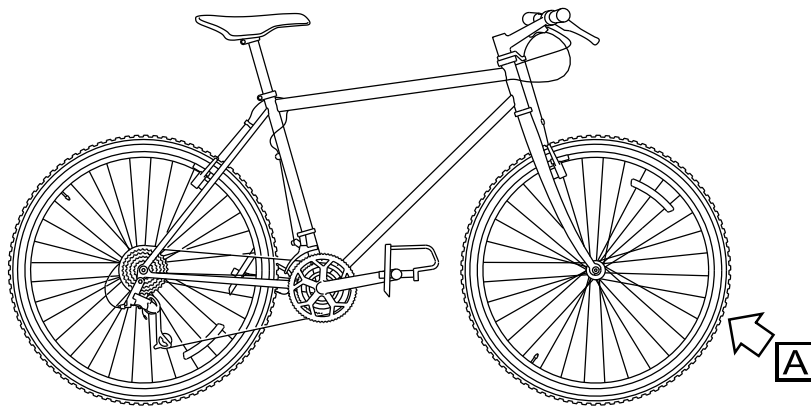
Description

1 The bicycle wheel

The wheel (refer to [Fig 1](#)) of a bicycle is a complex structure. The wheel assembly has these parts:

- the tire
- the tube
- the spokes
- the spoke nipples
- the valve
- the hub

On their own, the individual components are not very strong. But, when they are installed together, the components make the complete wheel (refer to [Fig 1](#)). The complete wheel is resistant to almost any type of heavy loads and operation.



Produced by Docuneering Ltd

ICN-C0419-S1000D0365-001-01

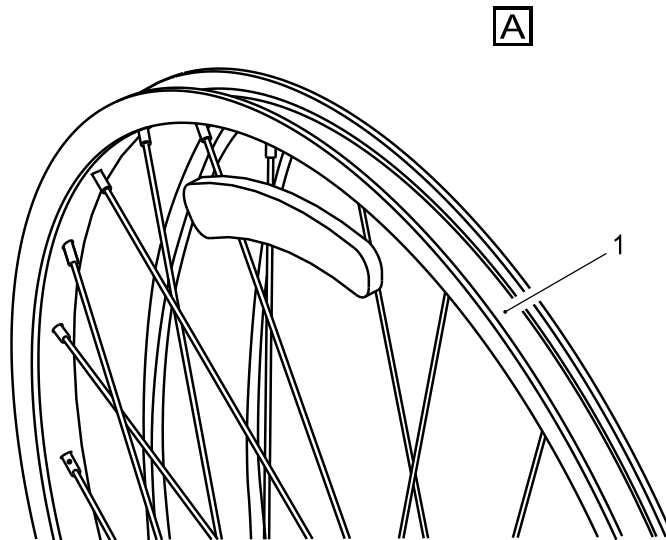
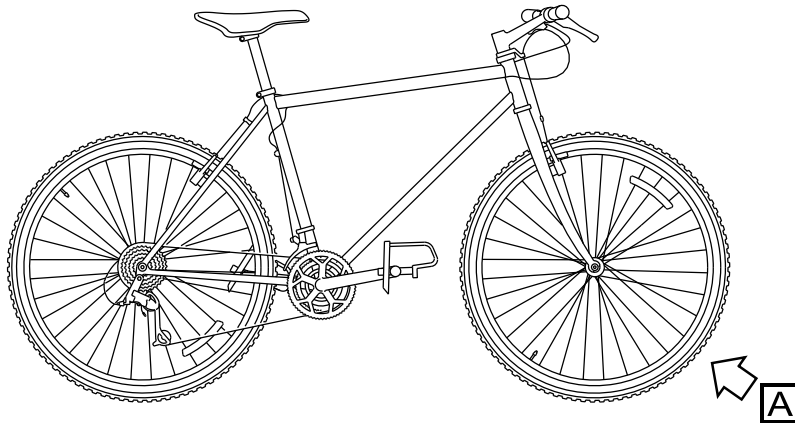
Fig 1 Parts of the wheel

1.1 Spokes

The spokes go out from the hub and go across and below each other. The spoke nipples attach the spokes to the rim with the threads on the end of the spokes. You can use the spoke nipples to adjust the tension of the spokes. The tension on each of the spokes must be equal.

1.2 Wheel rim

The rim (refer to [Fig 2](#)) of the wheel has a lining of rim tape. This tape protects the tube from damage that the rough edges on the spoke nipples can cause.



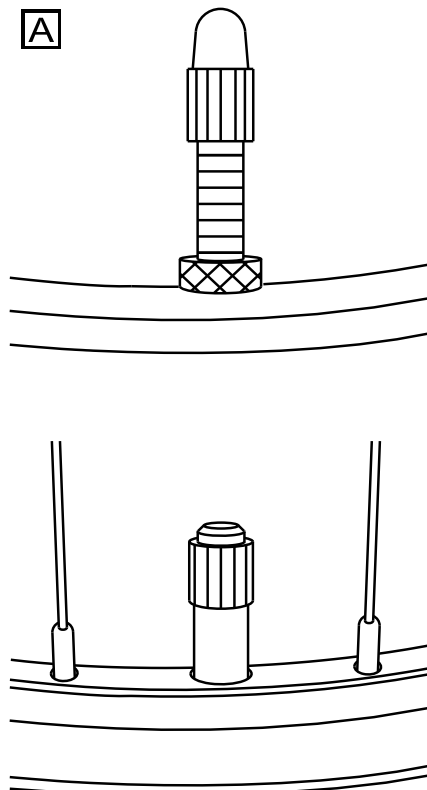
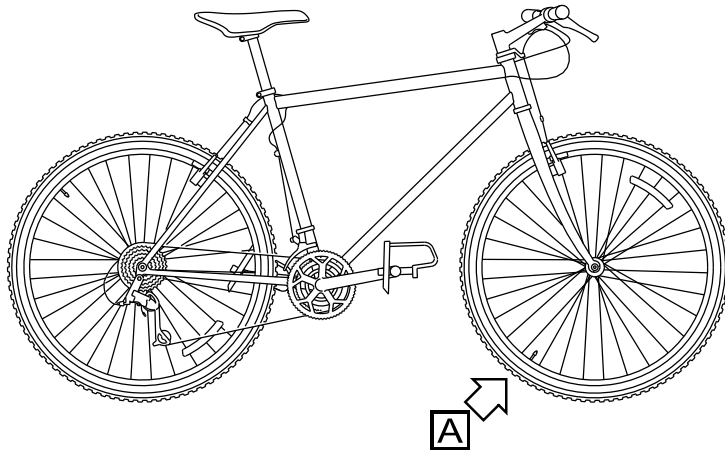
Produced by Docuneering Ltd

ICN-C0419-S1000D0366-001-01

Fig 2 The tire and rim

1.3 Tube and tire

The tube and the tire install on the rim. The sidewalls of the tire have markings on them. These which are used to indicate the correct direction of rotation. The markings also make sure the tire installs on the rim and that the directional arrows points in the correct direction. You install the tube into the tire before you inflate it. The tube has a valve (refer to [Fig 3](#)) which you put through the hole in the rim. This valve (refer to [Fig 3](#)) is used to inflate the tube and the tire to the correct pressure. A dust cap installs on the valve (refer to [Fig 3](#)) to prevent damage that dust and debris can cause.



ICN-C0419-S1000D0367-001-01

Fig 3 Valve

Produced by Docuneering Ltd

Intentionally left blank.

Wheels

Description of how it is made: Knowledge Check

This is a "learning" Data Module

**The Docuneering S1000D XSL-FO Stylesheets
do not yet support the "learning" Data Module**

Intentionally left blank.

Inner tube

Remove and install a new item

Table of contents

	Page
Remove and install a new item	1
References	1
Preliminary requirements	1
Procedure	2
Requirements after job completion	4

List of tables

1	References	1
2	Required conditions	1
3	Required persons	2
4	Support equipment	2
5	Consumables, materials and expendables	2
6	Spares	2
7	Required conditions	4

List of figures

1	Removing the inner tube	3
---	-------------------------------	---

References

Table 1 References

Data module / Technical publication	Title
S1000DBIKE-AAA-DA0-10-20-00AA-215A-A	
S1000DBIKE-AAA-DA0-10-20-00AA-215A-A	

Preliminary requirements

Required conditions

Table 2 Required conditions

Action / Condition	Data module / Technical publication
The tire is removed.	S1000DBIKE-AAA-DA0-10-20-00AA-215A-A

Required persons

Table 3 Required persons

Persons	Category	Skill level	Trade/Trade code	Estimated time
Man A	Basic user		Operator	0,3 h

Support equipment

Table 4 Support equipment

Name	Manufacturer / Part No.	Quantity	Remark
None			

Consumables, materials and expendables

Table 5 Consumables, materials and expendables

Name	Manufacturer / Part No.	Quantity	Remark
None			

Spares

Table 6 Spares

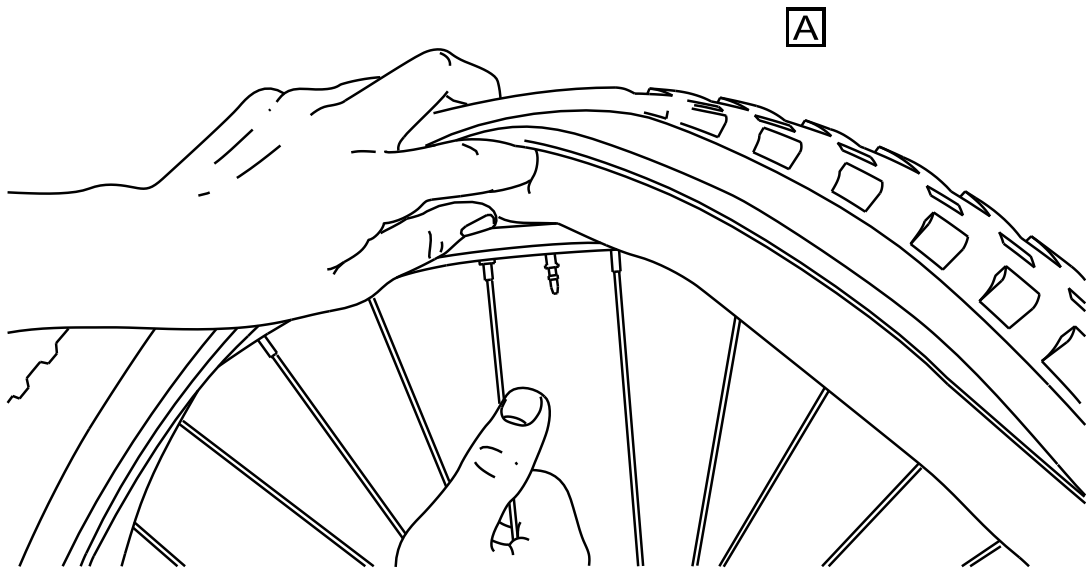
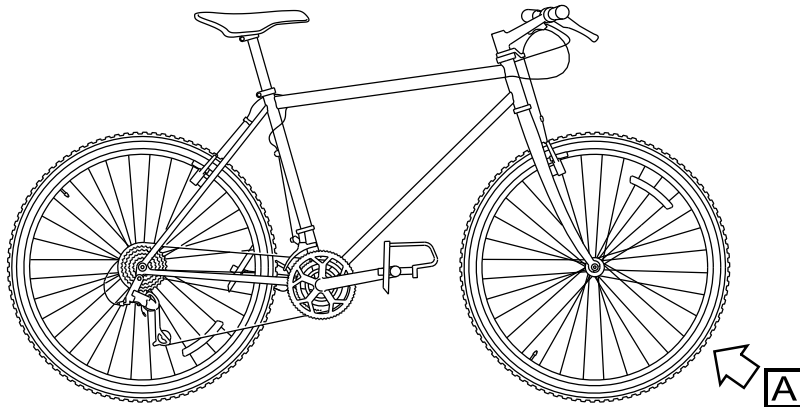
Name	Manufacturer / Part No.	Quantity	Remark
Inner tube	MFR: KT222 /PN: IT-001	1 EA	

Safety conditions



Procedure

- 1 Remove the old inner-tube.



Produced by Docuneering Ltd

ICN-C0419-S1000D0369-001-01

Fig 1 Removing the inner tube

Applicable to: Mountain bicycle
and (Mountain storm Mk1 or
Brook trekker Mk9)

S1000DBIKE-AAA-DA0-10-10-00AA-921A-A

2 Install the new [Inner tube](#).

Requirements after job completion

Required conditions

Table 7 Required conditions

Action / Condition	Data module / Technical publication
Replace the tire.	
Inflate the tire with air.	S1000DBIKE-AAA-DA0-10-20-00AA-215A-A

Tire

Fill with air

Table of contents

	Page
Fill with air	1
References	1
Preliminary requirements	1
Procedure	2
Requirements after job completion	3

List of tables

1	References	1
2	Required conditions	1
3	Required persons	1
4	Support equipment	2
5	Consumables, materials and expendables	2
6	Spares	2
7	Required conditions	3

References

Table 1 References

Data module / Technical publication	Title
S1000DBIKE-AAA-DA0-10-20-00AA-362B-A	

Preliminary requirements

Required conditions

Table 2 Required conditions

Action / Condition	Data module / Technical publication
None	

Required persons

Table 3 Required persons

Persons	Category	Skill level	Trade/Trade code	Estimated time
Man A	Basic user		Operator	

Applicable to: Mountain bicycle
and (Mountain storm Mk1 or
Brook trekker Mk9)

S1000DBIKE-AAA-DA0-10-20-00AA-215A-A

Support equipment

Table 4 Support equipment

Name	Manufacturer / Part No.	Quantity	Remark
Specialist toolset	MFR: KZ666 /PN: BSK-TLST-001	1 EA	
Foot pump	MFR: KZ666 /PN: BSK-TLST-001-05	1 EA	
Tire pressure gauge	MFR: KZ666 /PN: BSK-TLST-001-01	1 EA	

Consumables, materials and expendables

Table 5 Consumables, materials and expendables

Name	Manufacturer / Part No.	Quantity	Remark
None			

Spares

Table 6 Spares

Name	Manufacturer / Part No.	Quantity	Remark
None			

Safety conditions

None

Procedure

- 1 Ensure bicycle is on the repair stand.
- 2 Locate the deflated tire.
- 3 Attach the outlet valve of the [Foot pump](#), from the [Specialist toolset](#), to the valve of the deflated tire.
- 4 Inflate the tire.
 - 4.1 Operate the foot pump to pump air into the tire.
 - 4.2 Check tire pressure. Refer to [S1000DBIKE-AAA-DA0-10-20-00AA-362B-A](#)

Requirements after job completion**Required conditions***Table 7 Required conditions*

Action / Condition	Data module / Technical publication
None	

Intentionally left blank.

Tire

Check pressure

Table of contents

	Page
Check pressure	1
References	1
Preliminary requirements	1
Procedure	2
Requirements after job completion	3

List of tables

1	References	1
2	Required conditions	1
3	Required persons	2
4	Support equipment	2
5	Consumables, materials and expendables	2
6	Spares	2
7	Required conditions	3

References

Table 1 References

Data module / Technical publication	Title
S1000DBIKE-AAA-DA0-10-10-00AA-921A-A	
S1000DBIKE-AAA-DA0-10-20-00AA-215A-A	

Preliminary requirements

Required conditions

Table 2 Required conditions

Action / Condition	Data module / Technical publication
None	

Produced by Docuneering Ltd

Required persons

Table 3 Required persons

Persons	Category	Skill level	Trade/Trade code	Estimated time
Man A	Basic user		Operator	0,3 h

Support equipment

Table 4 Support equipment

Name	Manufacturer / Part No.	Quantity	Remark
Tire pressure gauge	MFR: KZ666 /PN: BSK-TLST-001-01	1 EA	

Consumables, materials and expendables

Table 5 Consumables, materials and expendables

Name	Manufacturer / Part No.	Quantity	Remark
None			

Spares

Table 6 Spares

Name	Manufacturer / Part No.	Quantity	Remark
None			

Safety conditions

None

Procedure

- 1 Locate the valve stem of tire.
- 2 Use the tire pressure gauge ([Tire pressure gauge](#)) to check the tire pressure.
- 3 Tire pressure should be between 2000 hPa to 2700 hPa.
- 3.1 If tire pressure is less than 2000 hPa inflate tire. Refer to [S1000DBIKE-AAA-DA0-10-20-00AA-215A-A](#)
- 3.2 If the tire cannot maintain pressure or the tire pressure is greater than 2700 hPa replace the inner tube. Refer to [S1000DBIKE-AAA-DA0-10-10-00AA-921A-A](#)

Requirements after job completion**Required conditions***Table 7 Required conditions*

Action / Condition	Data module / Technical publication
None	

Intentionally left blank.

Front wheel

Fault reports and isolation procedures

Fault codes

Fault code	Fault description
NYCJD04	Tire does not function correctly

Table of contents

	Page
Fault reports and isolation procedures	1
References	1
Preliminary requirements	2
Requirements after job completion	3

List of tables

1	References	1
2	Required conditions	2
3	Support equipment	2
4	Consumables, materials and expendables	2
5	Spares	2
6	Required conditions	3

References

Table 1 References

Data module / Technical publication	Title
S1000DBIKE-AAA-DA0-10-10-00AA-921A-A	
S1000DBIKE-AAA-DA0-10-20-00AA-215A-A	
S1000DBIKE-AAA-DA0-10-20-00AA-921A-A	

Fault isolation procedure

Fault code

NYCJD04

Fault description

Tire does not function correctly

Preliminary requirements

Required conditions

Table 2 Required conditions

Action / Condition	Data module / Technical publication
None	

Support equipment

Table 3 Support equipment

Name	Manufacturer / Part No.	Quantity	Remark
Tire pressure gauge	MFR: KZ666 /PN: BSK-TLST-001-01	1 EA	
Specialist toolset	MFR: KZ666 /PN: BSK-TLST-001	1 EA	

Consumables, materials and expendables

Table 4 Consumables, materials and expendables

Name	Manufacturer / Part No.	Quantity	Remark
None			

Spares

Table 5 Spares

Name	Manufacturer / Part No.	Quantity	Remark
None			

Safety conditions

None

Isolation procedure

- 1 Use the tire pressure gauge ([Tire pressure gauge](#)) to do a check of the pressure
What is the tire pressure reading?
 - 1.1 More than 2700 hPa [Step 2](#)
 - 1.2 Between 100 hPa and 2700 hPa [Step 3](#)
 - 1.3 Less than 100 hPa [Step 4](#)

Applicable to: Mountain bicycle
and (Mountain storm Mk1 or
Brook trekker Mk9)

S1000DBIKE-AAA-DA0-10-20-00AA-400A-A

- 2 Deflate the tire until the pressure is 2700 hPa
Go to requirements after job completion
- 3 Inflate the tire as given in [S1000DBIKE-AAA-DA0-10-20-00AA-215A-A](#)
Go to requirements after job completion
- 4 To do a check of the tire for damage
Is there damage to the tire?
 - 4.1 Yes: Go to [Step 5](#)
 - 4.2 No: Go to [Step 6](#)
- 5 Replace the tire (refer to [S1000DBIKE-AAA-DA0-10-20-00AA-921A-A](#))
Go to requirements after job completion
- 6 Replace the inner-tube (refer to [S1000DBIKE-AAA-DA0-10-10-00AA-921A-A](#))
Go to requirements after job completion

Requirements after job completion

Required conditions

Table 6 Required conditions

Action / Condition	Data module / Technical publication
None	

Intentionally left blank.

Front wheel

Remove procedures: Interactive content - Procedure

This is a "learning" Data Module

**The Docuneering S1000D XSL-FO Stylesheets
do not yet support the "learning" Data Module**

Intentionally left blank.

Tire

Remove and install a new item

Table of contents

	Page
Remove and install a new item	1
References	1
Preliminary requirements	1
Procedure	2
Requirements after job completion	3

List of tables

1	References	1
2	Required conditions	1
3	Required persons	2
4	Support equipment	2
5	Consumables, materials and expendables	2
6	Spares	2
7	Required conditions	3

References

Table 1 References

Data module / Technical publication	Title
S1000DBIKE-AAA-DA0-00-00-00AA-041A-A	
S1000DBIKE-AAA-DA0-10-20-00AA-215A-A	
S1000DBIKE-AAA-DA1-00-00-00AA-341A-A	

Preliminary requirements

Required conditions

Table 2 Required conditions

Action / Condition	Data module / Technical publication
None	

Required persons

Table 3 Required persons

Persons	Category	Skill level	Trade/Trade code	Estimated time
Man A	Basic user		Operator	0,3 h

Support equipment

Table 4 Support equipment

Name	Manufacturer / Part No.	Quantity	Remark
Specialist toolset	MFR: KZ666 /PN: BSK-TLST-001	1 EA	
Tire lever	MFR: KZ666 /PN: BSK-TLST-001-04	1 EA	
Tire pressure guage	MFR: KZ666 /PN: BSK-TLST-001-01	1 EA	

Consumables, materials and expendables

Table 5 Consumables, materials and expendables

Name	Manufacturer / Part No.	Quantity	Remark
None			

Spares

Table 6 Spares

Name	Manufacturer / Part No.	Quantity	Remark
Tire	MFR: KT666 /PN: TIRES-010101	1 EA	

Safety conditions

None

Procedure

- 1 Lift and turn the bicycle and make sure the bicycle is held safely in this position.
- 2 Use a standard wrench from the [Specialist toolset](#) and loosen the brake caliper.
- 3 Remove the axle bolt.
- 4 Remove the wheel.
- 5 Deflate the tire.

-
- 6 Use the [Tire lever](#) from the [Specialist toolset](#) and remove the old tire from the wheel.
 - 7 Use the [Tire lever](#) from the [Specialist toolset](#) and attach the new [Tire](#) to the wheel. Refer to [S1000DBIKE-AAA-DA0-00-00-00AA-041A-A](#)
 - 8 Inflate the tire (refer to [S1000DBIKE-AAA-DA0-10-20-00AA-215A-A](#)).
 - 9 Install the wheel.
 - 10 Tighten the axle bolt.
 - 11 Tighten the brake caliper.

Requirements after job completion

Required conditions

Table 7 Required conditions

Action / Condition	Data module / Technical publication
Lift and turn the bicycle to the correct position.	
Do a test of the brakes as given in the brake test procedure.	S1000DBIKE-AAA-DA1-00-00-00AA-341A-A

Intentionally left blank.

Rear wheel

Detected fault

Fault codes

Fault code	Fault description
NYCJD00	The rear wheel does not operate correctly

Table of contents

	Page
Detected fault	1
References	1
Fault reporting	1

List of tables

1	References	1
---	------------------	---

References

Table 1 References

Data module / Technical publication	Title
None	

Fault reporting

Fault code

NYCJD00

Fault description

The rear wheel does not operate correctly

Fault detection

Type: Major

1 Detected LRU

Line replaceable unit

Nomenclature	Identification
Tire	MFR: KT666/PN: TIRES-010101

Isolate detected fault**1 Fault isolation test – LRU**

Line replaceable unit

Nomenclature	Identification
Rear wheel	MFR: KZ333/PN: WH-001

Remarks

Prepare the rear wheel for the removal of the tire

Rear wheel

Remove procedures

Table of contents

	Page
Remove procedures	1
References	1
Preliminary requirements	1
Procedure	2
Requirements after job completion	2

List of tables

1	References	1
2	Required conditions	1
3	Required persons	1
4	Support equipment	2
5	Consumables, materials and expendables	2
6	Spares	2
7	Required conditions	2

References

Table 1 References

Data module / Technical publication	Title
None	

Preliminary requirements

Required conditions

Table 2 Required conditions

Action / Condition	Data module / Technical publication
None	

Required persons

Table 3 Required persons

Persons	Category	Skill level	Trade/Trade code	Estimated time
As required				

Produced by Docuneering Ltd

Applicable to: Mountain bicycle
and (Mountain storm Mk1 or
Brook trekker Mk9)

S1000DBIKE-AAA-DA0-20-00-00AA-520A-A

Support equipment

Table 4 Support equipment

Name	Manufacturer / Part No.	Quantity	Remark
None			

Consumables, materials and expendables

Table 5 Consumables, materials and expendables

Name	Manufacturer / Part No.	Quantity	Remark
None			

Spares

Table 6 Spares

Name	Manufacturer / Part No.	Quantity	Remark
None			

Safety conditions

None

Procedure

- 1 Hold the rear of the bicycle.
- 2 Push the wheel forwards and down to disengage the chain from the sprocket.
- 3 Turn the wheel to the side and lift it away from the frame.
- 4 Put the frame on the floor.

Requirements after job completion

Required conditions

Table 7 Required conditions

Action / Condition	Data module / Technical publication
None	

Front wheel

Remove procedures

Table of contents

	Page
Remove procedures	1
References	1
Preliminary requirements	1
Procedure	2
Requirements after job completion	2

List of tables

1	References	1
2	Required conditions	1
3	Required persons	1
4	Support equipment	2
5	Consumables, materials and expendables	2
6	Spares	2
7	Required conditions	2

References

Table 1 References

Data module / Technical publication	Title
None	

Preliminary requirements

Required conditions

Table 2 Required conditions

Action / Condition	Data module / Technical publication
None	

Required persons

Table 3 Required persons

Persons	Category	Skill level	Trade/Trade code	Estimated time
As required				

Support equipment

Table 4 Support equipment

Name	Manufacturer / Part No.	Quantity	Remark
Specialist toolset	MFR: KZ666 /PN: BSK-TLST-001	1 EA	

Consumables, materials and expendables

Table 5 Consumables, materials and expendables

Name	Manufacturer / Part No.	Quantity	Remark
None			

Spares

Table 6 Spares

Name	Manufacturer / Part No.	Quantity	Remark
None			

Safety conditions

None

Procedure

- 1 Hold the front of the bicycle.
- 2 Use the ([Specialist toolset](#)) to disengage the fork from the chainring by pushing the wheel forwards and down.
- 3 Lift the wheel away from the frame.
- 4 Put the frame on the floor.

Requirements after job completion

Required conditions

Table 7 Required conditions

Action / Condition	Data module / Technical publication
None	

Front wheel

Install procedures

Table of contents

	Page
Install procedures	1
References	1
Preliminary requirements	1
Procedure	2
Requirements after job completion	2

List of tables

1	References	1
2	Required conditions	1
3	Required persons	1
4	Support equipment	2
5	Consumables, materials and expendables	2
6	Spares	2
7	Required conditions	2

References

Table 1 References

Data module / Technical publication	Title
None	

Preliminary requirements

Required conditions

Table 2 Required conditions

Action / Condition	Data module / Technical publication
None	

Required persons

Table 3 Required persons

Persons	Category	Skill level	Trade/Trade code	Estimated time
As required				

Support equipment

Table 4 Support equipment

Name	Manufacturer / Part No.	Quantity	Remark
Specialist toolset	MFR: KZ666 /PN: BSK-TLST-001	1 EA	

Consumables, materials and expendables

Table 5 Consumables, materials and expendables

Name	Manufacturer / Part No.	Quantity	Remark
None			

Spares

Table 6 Spares

Name	Manufacturer / Part No.	Quantity	Remark
None			

Safety conditions

None

Procedure

- 1 **Note 1**
It is necessary to install the fork and the brakes before installing the wheel
- 2 Hold the front of the bicycle.
- 3 Install the wheel with ([Specialist toolset](#)) and be careful to not damage the chainring.
- 4 Put the bike on the floor.

Requirements after job completion

Required conditions

Table 7 Required conditions

Action / Condition	Data module / Technical publication
None	

Brake system

Description of how it is made

Table of contents

	Page
Description of how it is made	1
References	1
Description	1
1 Brake system	1
1.1 Cantilever brake	1
1.2 Brake pads	4
1.3 Brake lever	6

List of tables

1 References	1
--------------------	---

List of figures

1 Cantilever brake with straddle cable	3
2 Exploded diagram of a brake	5
3 Typical components of a mountain bicycle lever	7

References

Table 1 References

Data module / Technical publication	Title
None	

Description

1 Brake system

The most important part of the bicycle is the brake system. Only a minimum maintenance of the brake system is necessary. But, when a problem does occur, make sure you to do the necessary maintenance as quickly as possible. If you do not do this the bicycle will be dangerous to use.

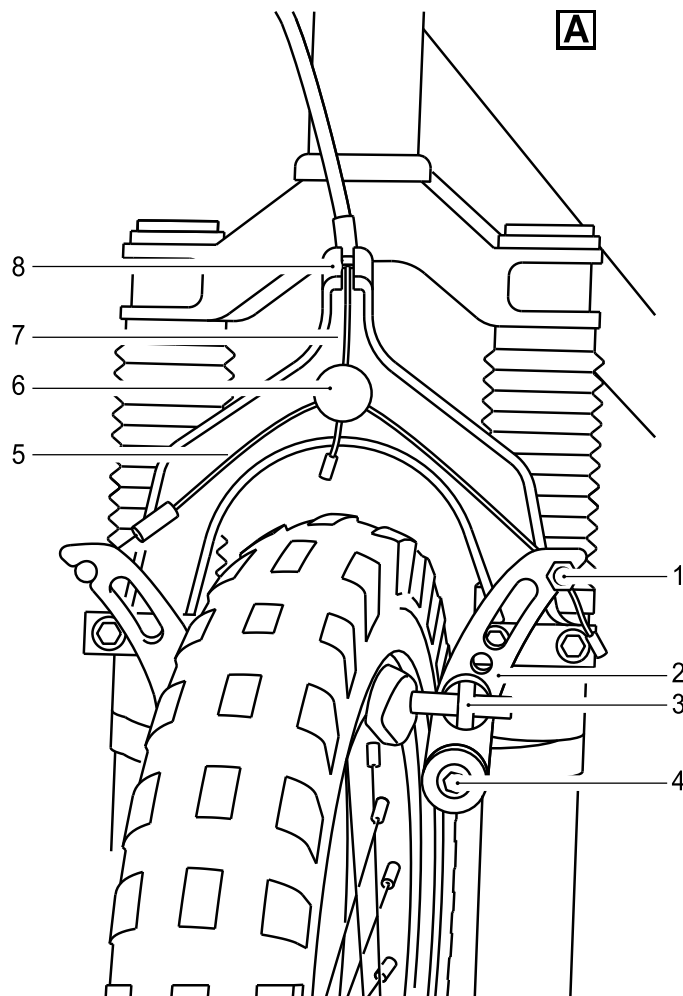
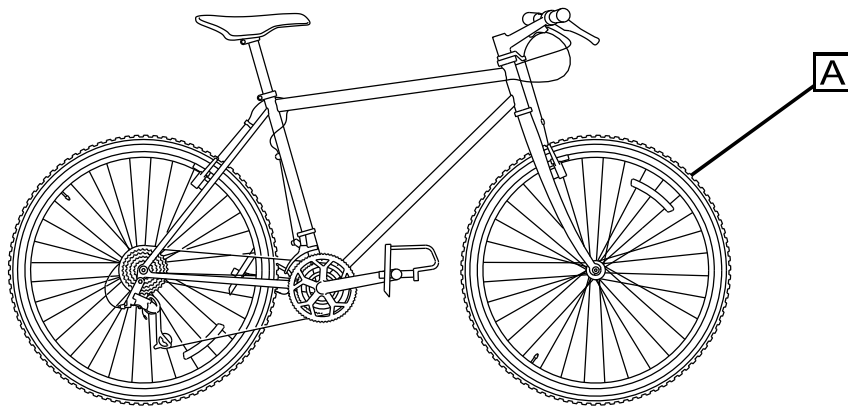
There are nine different types of brake systems. The one found on most bicycles is the cantilever brake (refer to [Para 1.1](#)).

1.1 Cantilever brake

The brake system (refer to [Fig 1](#)) has these primary components:

the brake lever (refer to [Para 1.3](#))

the brake cable
the brake arm
the brake clamp (also known as callipers)
the brake pads (refer to [Para 1.2](#))



ICN-C0419-S1000D0379-001-01

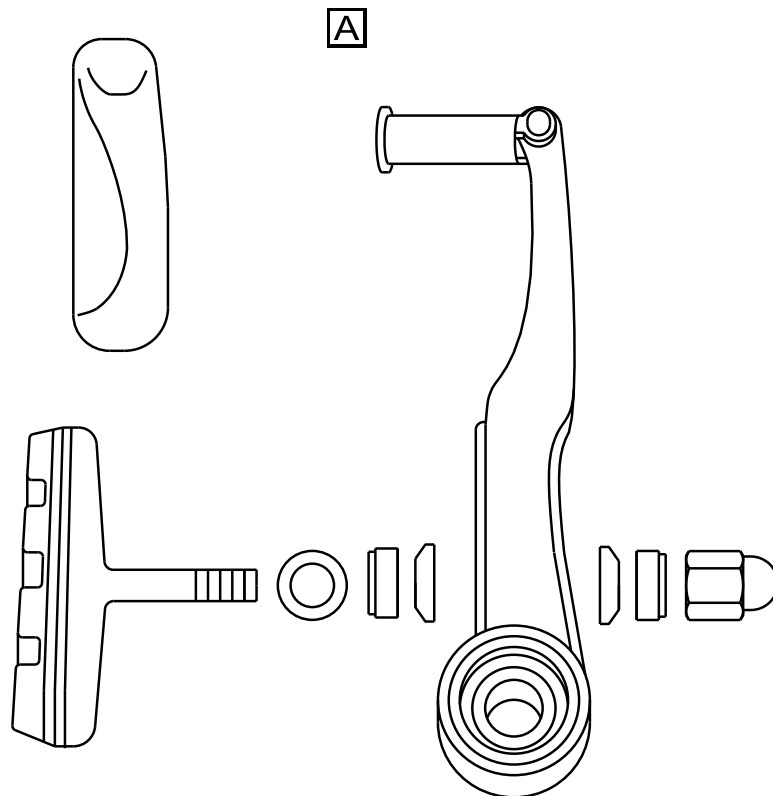
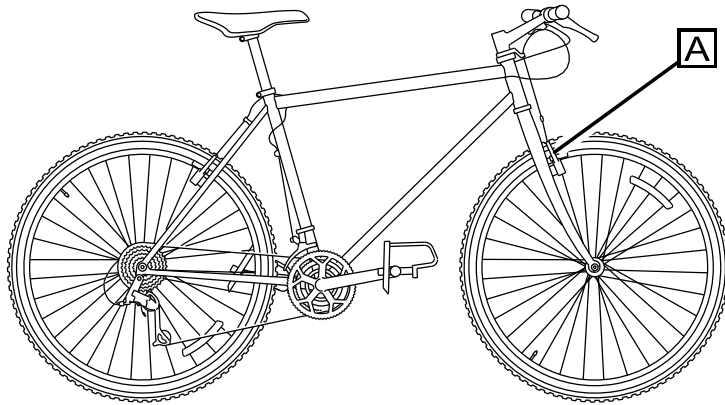
Fig 1 Cantilever brake with straddle cable

Produced by Docuneering Ltd

A cable that goes from the brake levers on the handlebars pulls the two levers on the brakes together. This presses the brake pads against the outer rim of the wheel, which decreases the speed of the bicycle.

1.2 Brake pads

There are four brake pads (refer to [Fig 2](#)) on the bicycle. Two are found on the front wheel and two on the rear wheel. The brake pads are made out of hard wearing rubber. The pads press against the rim of the wheel to cause friction when the you operate the brake levers.

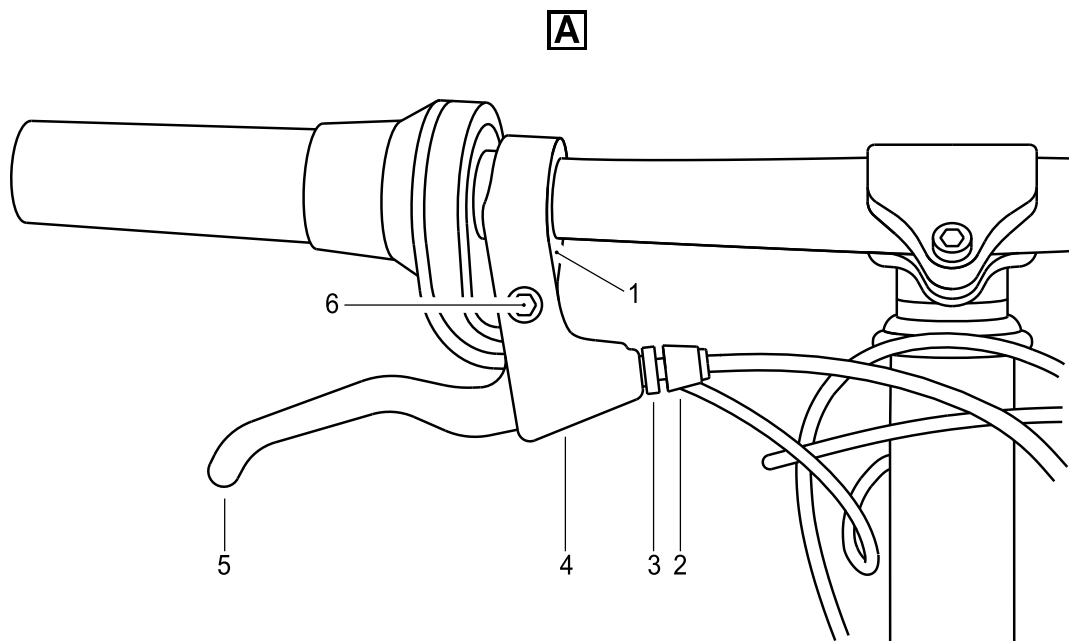
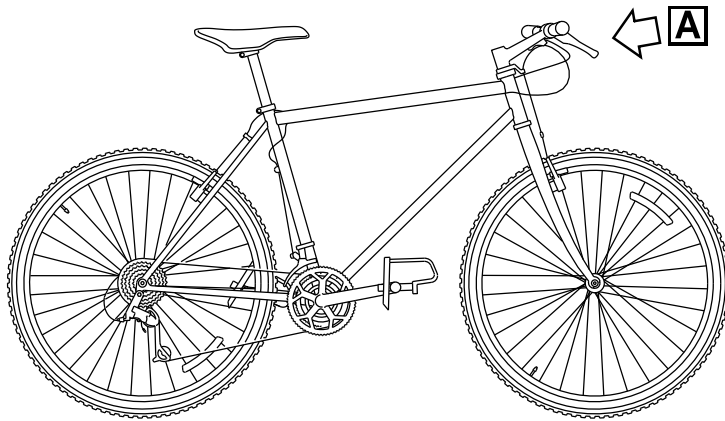


ICN-C0419-S1000D0380-001-01

Fig 2 Exploded diagram of a brake

1.3 Brake lever

The brake levers (refer to [Fig 3](#)) are easily damaged. The lever is installed in the mount. A clamp bolt holds the mount. This bolt is not visible because it is found in the mount. The lever turns on a lever pivot bolt. The adjuster lock nut holds the brake cable. This lock nut adjusts the tension of the cable.



Produced by Docuneering Ltd

ICN-C0419-S1000D0381-001-01

Fig 3 Typical components of a mountain bicycle lever

Applicable to: Mountain bicycle
and (Mountain storm Mk1 or
Brook trekker Mk9)

S1000DBIKE-AAA-DA1-00-00-00AA-041A-A

The left brake lever holds the brake pads on the front wheel and the right brake pads hold the brakes on the rear wheel.

Brake system

Manual test

Table of contents

	Page
Manual test	1
References	1
Preliminary requirements	1
Procedure	2
Requirements after job completion	2

List of tables

1	References	1
2	Required conditions	1
3	Required persons	1
4	Support equipment	2
5	Consumables, materials and expendables	2
6	Spares	2
7	Required conditions	2

References

Table 1 References

Data module / Technical publication	Title
None	

Preliminary requirements

Required conditions

Table 2 Required conditions

Action / Condition	Data module / Technical publication
None	

Required persons

Table 3 Required persons

Persons	Category	Skill level	Trade/Trade code	Estimated time
Man A	Basic user		Operator	0,3 h

Support equipment

Table 4 Support equipment

Name	Manufacturer / Part No.	Quantity	Remark
None			

Consumables, materials and expendables

Table 5 Consumables, materials and expendables

Name	Manufacturer / Part No.	Quantity	Remark
None			

Spares

Table 6 Spares

Name	Manufacturer / Part No.	Quantity	Remark
None			

Safety conditions

None

Procedure

- 1 Put the bicycle in a vertical position.
- 2 Hold the handle bars and push the bicycle forwards.
- 3 Apply the brakes.
- 4 Make sure that the wheels lock and the bicycle stops.

Requirements after job completion

Required conditions

Table 7 Required conditions

Action / Condition	Data module / Technical publication
None	

Brake pads

Clean with rubbing alcohol

Table of contents

	Page
Clean with rubbing alcohol	1
References	1
Preliminary requirements	1
Procedure	2
Requirements after job completion	3

List of tables

1	References	1
2	Required conditions	1
3	Required persons	1
4	Support equipment	2
5	Consumables, materials and expendables	2
6	Spares	2
7	Required conditions	3

References

Table 1 References

Data module / Technical publication	Title
S1000DBIKE-AAA-D00-00-00AA-121A-A	

Preliminary requirements

Required conditions

Table 2 Required conditions

Action / Condition	Data module / Technical publication
None	

Required persons

Table 3 Required persons

Persons	Category	Skill level	Trade/Trade code	Estimated time
Man A	Basic user		Operator	0,3 h

Applicable to: Mountain bicycle
and (Mountain storm Mk1 or
Brook trekker Mk9)

S1000DBIKE-AAA-DA1-10-00-00AA-251A-A

Support equipment

Table 4 Support equipment

Name	Manufacturer / Part No.	Quantity	Remark
None			

Consumables, materials and expendables

Table 5 Consumables, materials and expendables

Name	Manufacturer / Part No.	Quantity	Remark
Rubbing alcohol	MFR: KZ222 /PN: LL-002	As required	

Spares

Table 6 Spares

Name	Manufacturer / Part No.	Quantity	Remark
None			

Safety conditions

None

Procedure

- 1 Do a visual inspection of the brakes as given in the pre-ride checks (refer to [S1000DBIKE-AAA-D00-00-00-00AA-121A-A](#)).
- 2 Clean the brake pads.
 - 2.1 Find each of the brake pads.
 - 2.2 Apply a thin layer of the [Rubbing alcohol](#) on each of the brake pads.
 - 2.3 Rub the surface until you have applied the [Rubbing alcohol](#) to the complete surface of the pad.
 - 2.4 Remove the unwanted alcohol.

Requirements after job completion**Required conditions***Table 7 Required conditions*

Action / Condition	Data module / Technical publication
None	

Intentionally left blank.

Front brake

Remove procedures

Table of contents

	Page
Remove procedures	1
References	1
Preliminary requirements	1
Procedure	2
Requirements after job completion	2

List of tables

1	References	1
2	Required conditions	1
3	Required persons	1
4	Support equipment	2
5	Consumables, materials and expendables	2
6	Spares	2
7	Required conditions	2

References

Table 1 References

Data module / Technical publication	Title
None	

Preliminary requirements

Required conditions

Table 2 Required conditions

Action / Condition	Data module / Technical publication
None	

Required persons

Table 3 Required persons

Persons	Category	Skill level	Trade/Trade code	Estimated time
As required				

Support equipment

Table 4 Support equipment

Name	Manufacturer / Part No.	Quantity	Remark
None			

Consumables, materials and expendables

Table 5 Consumables, materials and expendables

Name	Manufacturer / Part No.	Quantity	Remark
None			

Spares

Table 6 Spares

Name	Manufacturer / Part No.	Quantity	Remark
None			

Safety conditions

None

Procedure

- 1 Hold the front of the bicycle.
- 2 Remove the front brake forwards.
- 3 Put the frame on the floor.

Requirements after job completion

Required conditions

Table 7 Required conditions

Action / Condition	Data module / Technical publication
None	

Front brake

Install procedures

Table of contents

	Page
Install procedures	1
References	1
Preliminary requirements	1
Procedure	2
Requirements after job completion	2

List of tables

1	References	1
2	Required conditions	1
3	Required persons	1
4	Support equipment	2
5	Consumables, materials and expendables	2
6	Spares	2
7	Required conditions	2

References

Table 1 References

Data module / Technical publication	Title
None	

Preliminary requirements

Required conditions

Table 2 Required conditions

Action / Condition	Data module / Technical publication
None	

Required persons

Table 3 Required persons

Persons	Category	Skill level	Trade/Trade code	Estimated time
As required				

Support equipment

Table 4 Support equipment

Name	Manufacturer / Part No.	Quantity	Remark
None			

Consumables, materials and expendables

Table 5 Consumables, materials and expendables

Name	Manufacturer / Part No.	Quantity	Remark
None			

Spares

Table 6 Spares

Name	Manufacturer / Part No.	Quantity	Remark
None			

Safety conditions

None

Procedure

- 1 **Note 1**
It is necessary to install the fork before installing the brakes
- 2 Hold the front of the bicycle.
- 3 Install the front brakes on the fork.
- 4 Put the frame on the floor.

Requirements after job completion

Required conditions

Table 7 Required conditions

Action / Condition	Data module / Technical publication
None	

Steering

Description of how it is made

Table of contents

	Page
Description of how it is made	1
References	1
Description	1
1 Steering	1
1.1 Handlebar	1
1.2 Headset	2
1.3 Stem	2

List of tables

1 References	1
--------------------	---

References

Table 1 References

Data module / Technical publication	Title
S1000DBIKE-AAA-DA2-30-00-00AA-041A-A	

Description

1 Steering

The steering on the bike is what enables the bike to manoeuvre in a given direction during travel. The steering system on the bike is made of three parts, they are:

[Para 1.1](#) The handlebar

[Para 1.2](#) The headset

[Para 1.3](#) The stem

1.1 Handlebar

This consists of a horizontal bar attached to the stem with handgrips at the end. Brake levers and shifters are also attached to this bar although they do not have any part in the steering mechanism. The handlebars manoeuvrability is a sideways swivelling action. The handlebars themselves do not provide this swivelling, the headset (also known as the steering tube) is the mechanism that enables the handlebars to swivel.

1.2 Headset

This mechanism is situated in front of the frame and connects the front fork to the stem and handlebars. The headset allows the handlebars to swivel left and right for steering purposes.

For a full description of the headset, refer to [S1000DBIKE-AAA-DA2-30-00-00AA-041A-A](#) .

1.3 Stem

The stem is a piece that attaches the handlebar to the steering tube. Basically the stem is just a threaded stem bolt situated inside the steerer tube and is what attaches the handlebars to the headset.

Steering

Description of how it is made: Knowledge Check

This is a "learning" Data Module

**The Docuneering S1000D XSL-FO Stylesheets
do not yet support the "learning" Data Module**

Intentionally left blank.

Stem

Remove procedures

Table of contents

	Page
Remove procedures	1
References	1
Preliminary requirements	1
Procedure	2
Requirements after job completion	4

List of tables

1	References	1
2	Required conditions	1
3	Required persons	2
4	Support equipment	2
5	Consumables, materials and expendables	2
6	Spares	2
7	Required conditions	4

List of figures

1	Remove the bolt	3
---	-----------------------	---

References

Table 1 References

Data module / Technical publication	Title
S1000DBIKE-AAA-DA2-20-00-00AA-520A-A	

Preliminary requirements

Required conditions

Table 2 Required conditions

Action / Condition	Data module / Technical publication
Safety the bicycle in a bicycle stand and hold the front wheel off the ground	

Required persons

Table 3 Required persons

Persons	Category	Skill level	Trade/Trade code	Estimated time
Man A	Bike Rider	Intermediate	Operator	1,5 h

Support equipment

Table 4 Support equipment

Name	Manufacturer / Part No.	Quantity	Remark
Set of Allen wrenches	MFR: KZ666 /PN: BSK-TLST-001-13	1 EA	
Work stand	MFR: KZ555 /PN: Stand-001	1 EA	

Consumables, materials and expendables

Table 5 Consumables, materials and expendables

Name	Manufacturer / Part No.	Quantity	Remark
None			

Spares

Table 6 Spares

Name	Manufacturer / Part No.	Quantity	Remark
None			

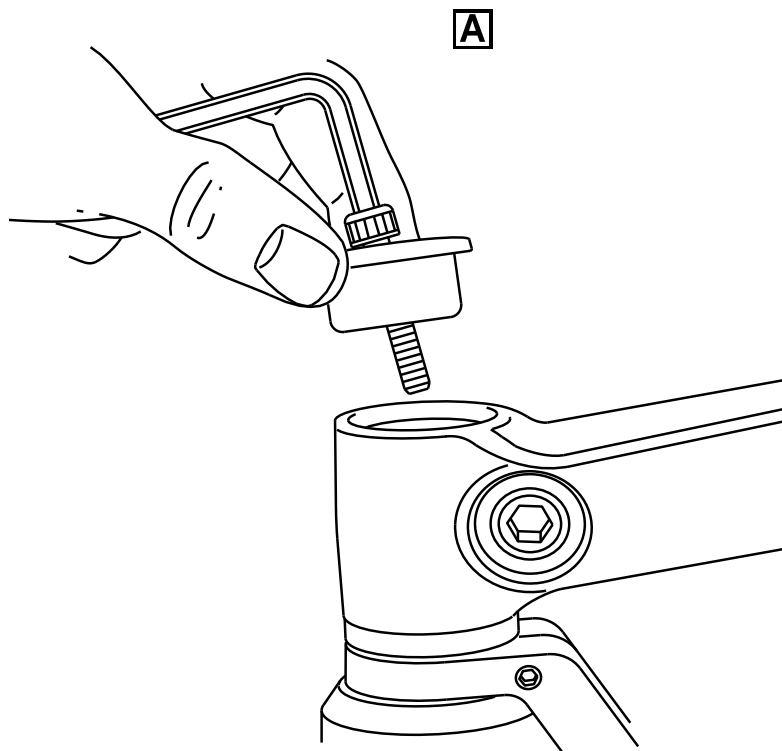
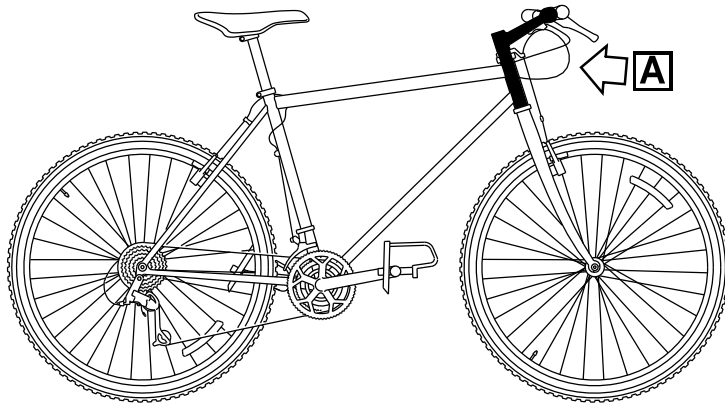
Safety conditions

Note 1

It is not necessary to remove the handlebar when you remove the stem to get access to the headset.

Procedure

- 1 Remove the handlebar [S1000DBIKE-AAA-DA2-20-00-00AA-520A-A](#)
- 2 Remove the stem.
 - 2.1 Remove the bolt in the center of the stem cap.



ICN-C0419-S1000D0387-001-01

Fig 1 Remove the bolt

-
- 2.2 Loosen the stem clam bolt with a [Set of Allen wrenches](#).
 - 2.3 Remove the stem from the steerer tube.
 - 2.4 Note: It is not necessary to remove the handlebar if you remove the stem to get access to the headset.

Requirements after job completion

Required conditions

Table 7 Required conditions

Action / Condition	Data module / Technical publication
None	

Stem

Install procedures

Table of contents

	Page
Install procedures	1
References	1
Preliminary requirements	1
Procedure	3
Requirements after job completion	7

List of tables

1	References	1
2	Required conditions	1
3	Required persons	2
4	Support equipment	2
5	Consumables, materials and expendables	2
6	Spares	2
7	Required conditions	7

List of figures

1	Lubricate the thread	4
2	Tighten the bolt	6

References

Table 1 References

Data module / Technical publication	Title
S1000DBIKE-AAA-DA2-20-00-00AA-720A-A	

Preliminary requirements

Required conditions

Table 2 Required conditions

Action / Condition	Data module / Technical publication
Make sure the bicycle is held safely on a work stand with the front wheel free of the ground	

Applicable to: Mountain bicycle
and (Mountain storm Mk1 or
Brook trekker Mk9)

S1000DBIKE-AAA-DA2-10-00-00AA-720A-A

Required persons

Table 3 Required persons

Persons	Category	Skill level	Trade/Trade code	Estimated time
Man A	Bike Rider	Intermediate	Operator	1,0 h

Support equipment

Table 4 Support equipment

Name	Manufacturer / Part No.	Quantity	Remark
Clean dry cloth	MFR: KZ666 /PN: BSK-TLST-001-12	1 EA	
Work stand	MFR: KZ555 /PN: Stand-001	1 EA	

Consumables, materials and expendables

Table 5 Consumables, materials and expendables

Name	Manufacturer / Part No.	Quantity	Remark
Rubbing alcohol	MFR: KZ222 /PN: LL-002	1 L	
General lubricant	MFR: KZ222 /PN: LL-001	1 L	

Spares

Table 6 Spares

Name	Manufacturer / Part No.	Quantity	Remark
Stem	MFR: KZ555 /PN: St-001	1 EA	
Stem bolt	MFR: KZ555 /PN: St-001-01	1 EA	

Safety conditions



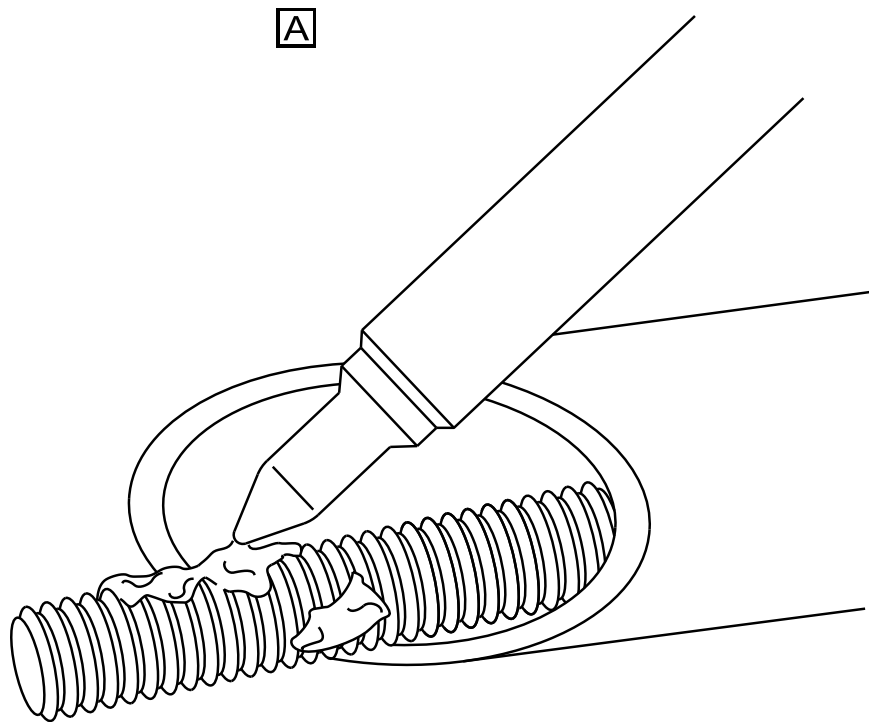
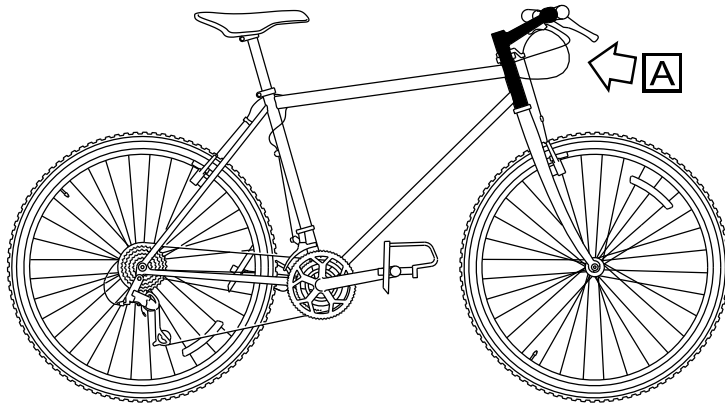


Note 1

The stem must point forward in alignment with the wheel.

Procedure

- 1 Remove all the rust and the corrosion with a [Clean dry cloth](#) and [Rubbing alcohol](#).
- 2 Install the stem.
 - 2.1 Use a [General lubricant](#) and lubricate:
 - the threads of the [Stem](#) and [Stem bolt](#)
 - the sides
 - the top of the wedge

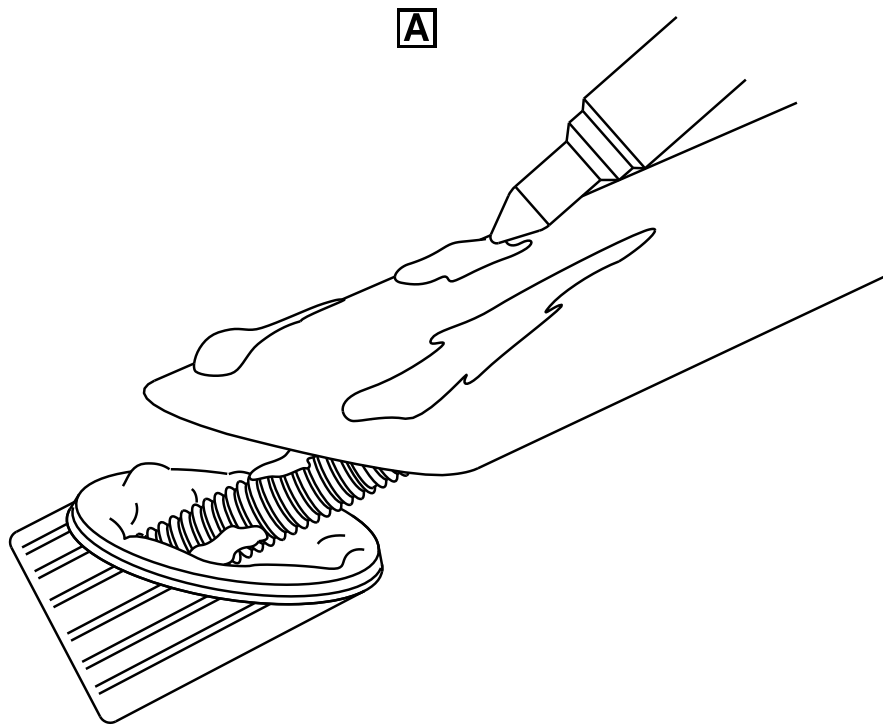
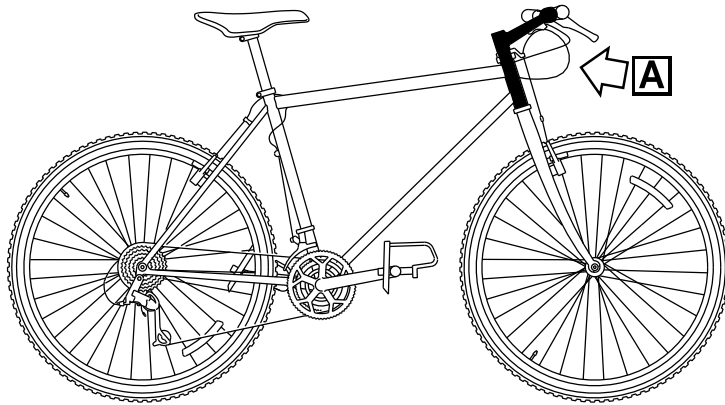


Produced by Docuneering Ltd

ICN-C0419-S1000D0385-001-01

Fig 1 Lubricate the thread

2.2 Install the [Stem](#) in the steerer tube.



Produced by Docuneering Ltd

ICN-C0419-S1000D0386-001-01

Fig 2 Tighten the bolt

Applicable to: Mountain bicycle
and (Mountain storm Mk1 or
Brook trekker Mk9)

S1000DBIKE-AAA-DA2-10-00-00AA-720A-A

-
- 2.3 Adjust to align the [Stem](#) with the wheel and tighten the [Stem bolt](#) firmly.
 - 3 Install the handlebars (refer to [S1000DBIKE-AAA-DA2-20-00-00AA-720A-A](#)).

Requirements after job completion

Required conditions

Table 7 Required conditions

Action / Condition	Data module / Technical publication
None	

Intentionally left blank.

Handlebar

Remove procedures

Table of contents

	Page
Remove procedures	1
References	1
Preliminary requirements	1
Procedure	2
Requirements after job completion	7

List of tables

1	References	1
2	Required conditions	1
3	Required persons	2
4	Support equipment	2
5	Consumables, materials and expendables	2
6	Spares	2
7	Required conditions	7

List of figures

1	Loosen the clamp screw with the Allen wrench	4
2	Loosen the clamp bolt	6

References

Table 1 References

Data module / Technical publication	Title
None	

Preliminary requirements

Required conditions

Table 2 Required conditions

Action / Condition	Data module / Technical publication
The bicycle is held safely on a work stand.	

Required persons

Table 3 Required persons

Persons	Category	Skill level	Trade/Trade code	Estimated time
Man A	Bike rider	Intermediate	Operator	1,5 h

Support equipment

Table 4 Support equipment

Name	Manufacturer / Part No.	Quantity	Remark
Set of Allen wrenches	MFR: KZ666 /PN: BSK-TLST-001-13	1 EA	
Work stand	MFR: KZ555 /PN: Stand-001	1 EA	

Consumables, materials and expendables

Table 5 Consumables, materials and expendables

Name	Manufacturer / Part No.	Quantity	Remark
None			

Spares

Table 6 Spares

Name	Manufacturer / Part No.	Quantity	Remark
None			

Safety conditions



Procedure

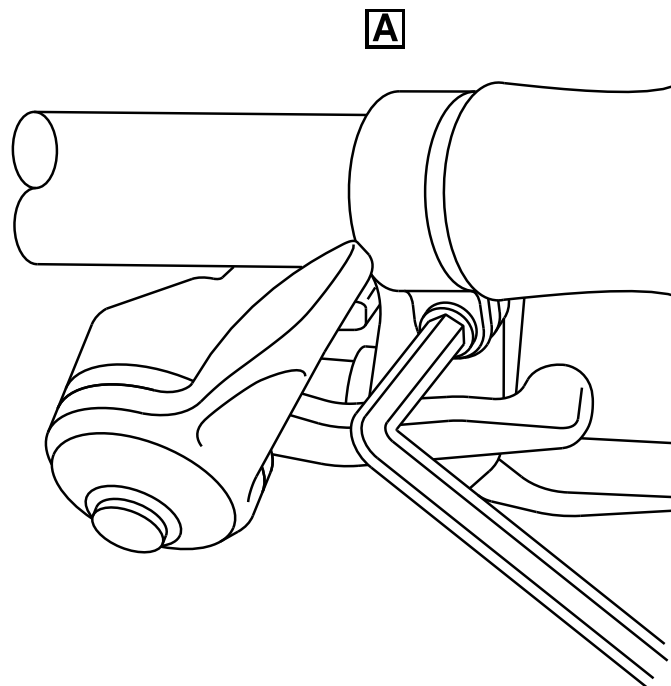
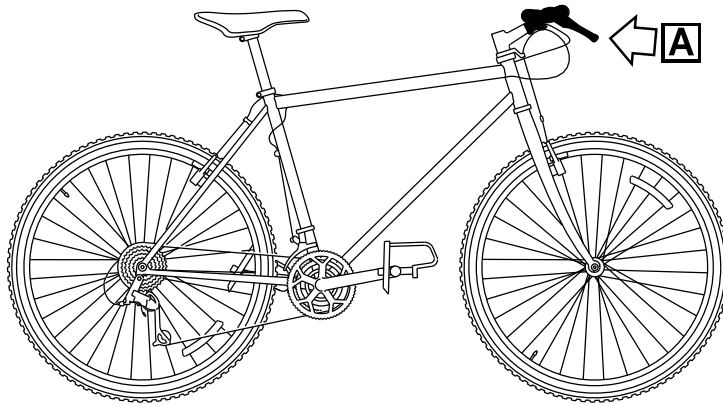
1 Remove the grips

- 1.1 Put a long thin screwdriver below the grip and apply water between the grip and the handle bar.

1.2 Turn the grip forwards and rearwards to loosen it and then pull it off the end of the handlebar.

2 Remove the brake and the shift levers from the handlebars

2.1 Loosen the clamp screw (refer to [Fig 1](#)) which is behind or below the brake lever (as shown).



Produced by Docuneering Ltd

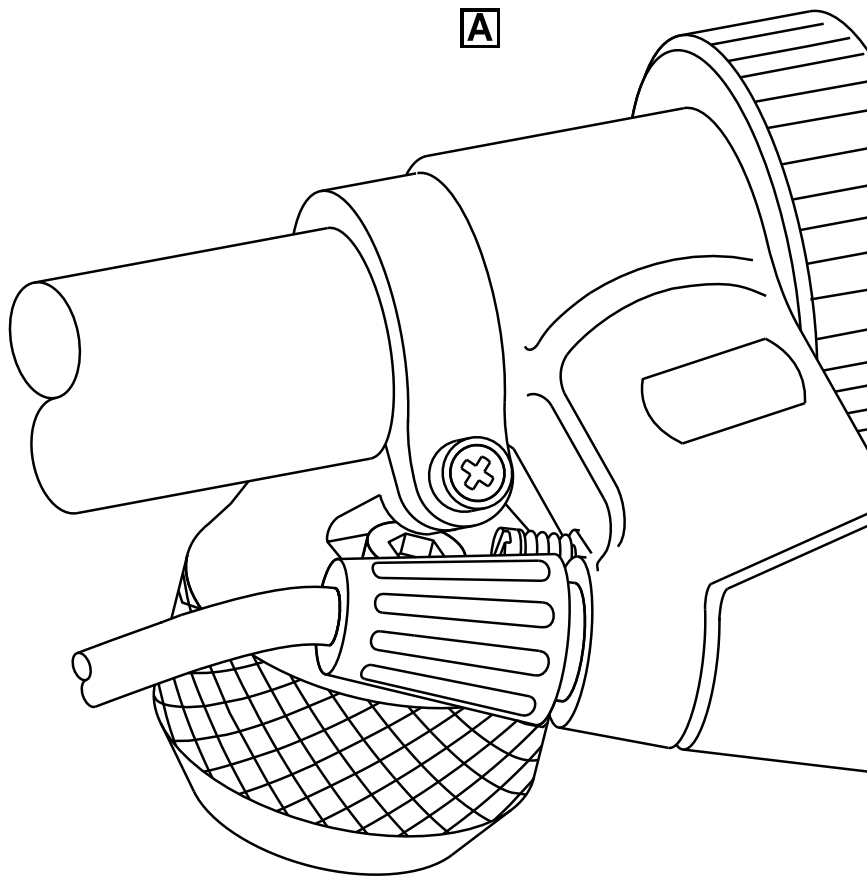
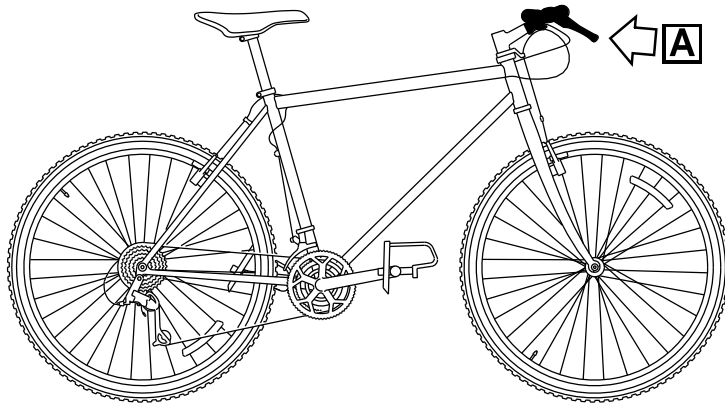
ICN-C0419-S1000D0389-001-01

Fig 1 Loosen the clamp screw with the Allen wrench

-
- 2.2 Remove the lever and the mount from the handlebar.
 - 2.3 Loosen the clamp bolt and remove the shifter from the handlebar.

3 Remove the handlebar

Use a [Set of Allen wrenches](#) and loosen the clamp bolt (refer to [Fig 2](#)). To remove, move the handlebar out of the stem.



ICN-C0419-S1000D0388-001-01

Fig 2 Loosen the clamp bolt

Produced by Docuneering Ltd

Requirements after job completion**Required conditions***Table 7 Required conditions*

Action / Condition	Data module / Technical publication
None	

Intentionally left blank.

Handlebar

Install procedures

Table of contents

	Page
Install procedures	1
References	1
Preliminary requirements	1
Procedure	3
Requirements after job completion	3

List of tables

1	References	1
2	Required conditions	1
3	Required persons	1
4	Support equipment	2
5	Consumables, materials and expendables	2
6	Spares	2
7	Required conditions	3

References

Table 1 References

Data module / Technical publication	Title
None	

Preliminary requirements

Required conditions

Table 2 Required conditions

Action / Condition	Data module / Technical publication
The bicycle is held safely on work stand. Refer to (Work stand)	

Required persons

Table 3 Required persons

Persons	Category	Skill level	Trade/Trade code	Estimated time
Man A	Bike rider	Intermediate	Operator	1,5 h

Applicable to: Mountain bicycle
and (Mountain storm Mk1 or
Brook trekker Mk9)

S1000DBIKE-AAA-DA2-20-00-00AA-720A-A

Support equipment

Table 4 Support equipment

Name	Manufacturer / Part No.	Quantity	Remark
Set of Allen wrenches	MFR: KZ666 /PN: BSK-TLST-001-13	1 EA	
Extra firm hold hairspray	MFR: HS111 /PN: HSP-D001	1 EA	
Work stand	MFR: KZ555 /PN: Stand-001	1 EA	

Consumables, materials and expendables

Table 5 Consumables, materials and expendables

Name	Manufacturer / Part No.	Quantity	Remark
None			

Spares

Table 6 Spares

Name	Manufacturer / Part No.	Quantity	Remark
Handlebar	MFR: KZ555 /PN: Hd-001	1 EA	
Brake lever	MFR: KT444 /PN: BR-LVRS-001	1 EA	
Shifter lever	MFR: KZ555 /PN: SI-001	1 EA	
Brake lever mount	MFR: KT444 /PN: BR-LVRS-001-01	1 EA	
Handlebar grips	MFR: KZ555 /PN: Hd-001-01	1 EA	
Handlebar plug	MFR: KZ555 /PN: Hd-001-02	1 EA	

Safety conditions





Procedure

- 1 Put the [Handlebar](#) in the stem and tighten the clamp bolt with a [Set of Allen wrenches](#). Make sure the handlebar is correctly aligned in the center of the stem. Tighten the clamp bolt.
- 2 Put the [Brake lever](#) and [Shifter lever](#) on the handlebar.
 - 2.1 Move the [Shifter lever](#) on the [Handlebar](#) again and make sure you do not catch the cables.
 - 2.2 Tighten the clamp bolt.
 - 2.3 Move the [Brake lever mount](#) and the brake lever on the [Handlebar](#) again.
 - 2.4 Tighten the clamp screw.
- 3 Replace the [Handlebar grips](#).
 - 3.1 Apply with the [Extra firm hold hairspray](#) to the [Handlebar grips](#) area of the [Brake lever mount](#).
 - 3.2 Before the [Extra firm hold hairspray](#) becomes dry, move the [Handlebar grips](#) into the correct position. Make sure the grip protects the end of the [Handlebar](#) or install a [Handlebar plug](#).

Requirements after job completion

Required conditions

Table 7 Required conditions

Action / Condition	Data module / Technical publication
None	

Produced by Docuneering Ltd

Intentionally left blank.

Headset

Description of how it is made

Table of contents

	Page
Description of how it is made	1
References	1
Description	1
1 Headset	1

List of tables

1 References	1
--------------------	---

List of figures

1 Headset	3
-----------------	---

References

Table 1 References

Data module / Technical publication	Title
None	

Description

1 Headset

The headset (refer to [Fig 1](#)) is a pair of bearings on the two ends of the head tube of the frame. These bearings permit the fork to turn rearward and forward (for example, to let the rider turn the handlebars for the steering).

The headset (refer to [Fig 1](#)) includes the parts that follow:

- The bearing races that push into the head tube
- a bearing race that pushes on the fork steerer tube
- an adjustable upper race
- two sets of ball bearings

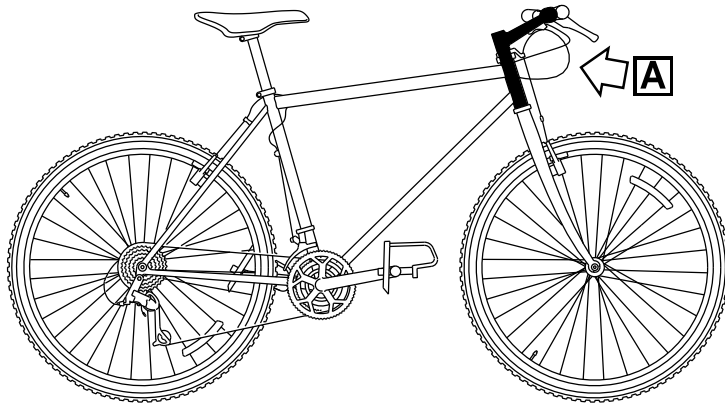
A headset has cups that are pushed into the head tube and a ring on the fork. All three must be fully parallel. It is usually necessary to remove rough paint to get all three fully parallel.

The upper race installs onto the steerer tube with a thread. A locknut is used to safety the upper race.

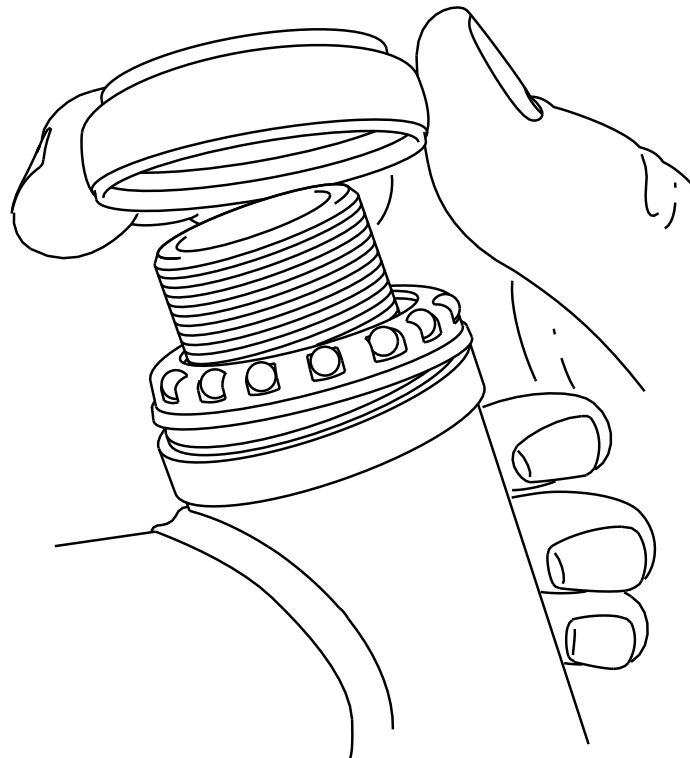
A clamp bolt holds the stem to the steerer tube.

The fourth remaining bearing race is part of a nut that installs on the threaded top end of the fork. This is done after you install it in the head tube. It is sometimes necessary for some headsets to have more thread at the top of the head tube. If the fork is too long, the spacer rings can be installed. If it is too short, there is a limit to the number of headsets you can use.

For an illustration of the parts of the headset (refer to [Fig 1](#)).



A



ICN-C0419-S1000D0391-001-01

Fig 1 Headset

Intentionally left blank.

Headset

Remove procedures

Table of contents

	Page
Remove procedures	1
References	1
Preliminary requirements	1
Procedure	2
Requirements after job completion	4

List of tables

1	References	1
2	Required conditions	1
3	Required persons	2
4	Support equipment	2
5	Consumables, materials and expendables	2
6	Spares	2
7	Required conditions	4

List of figures

1	Lift the upper bearing cup	3
---	----------------------------------	---

References

Table 1 References

Data module / Technical publication	Title
S1000DBIKE-AAA-DA2-10-00-00AA-520A-A	

Preliminary requirements

Required conditions

Table 2 Required conditions

Action / Condition	Data module / Technical publication
The bicycle is safely held on a work stand	

Required persons

Table 3 Required persons

Persons	Category	Skill level	Trade/Trade code	Estimated time
Man A	Bike Rider	Intermediate	Operator	0,5 h

Support equipment

Table 4 Support equipment

Name	Manufacturer / Part No.	Quantity	Remark
Work stand	MFR: Bikey /PN: Stand-001	1 EA	

Consumables, materials and expendables

Table 5 Consumables, materials and expendables

Name	Manufacturer / Part No.	Quantity	Remark
None			

Spares

Table 6 Spares

Name	Manufacturer / Part No.	Quantity	Remark
None			

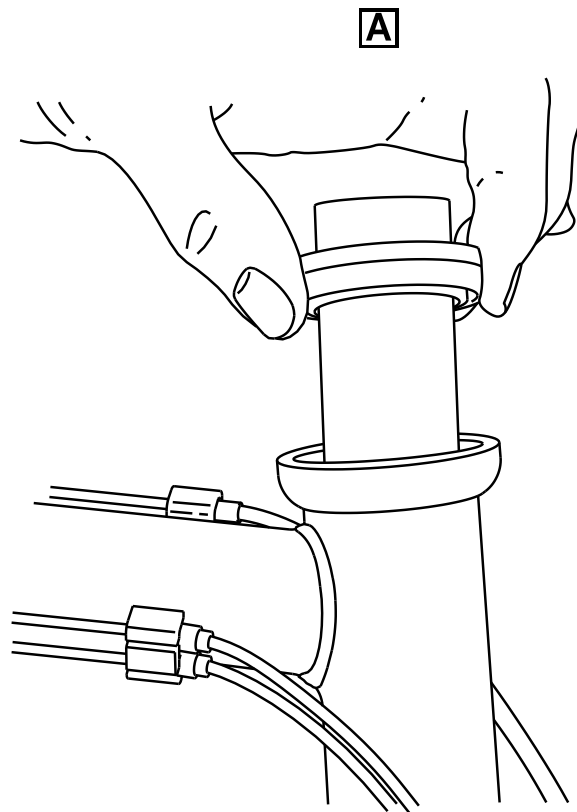
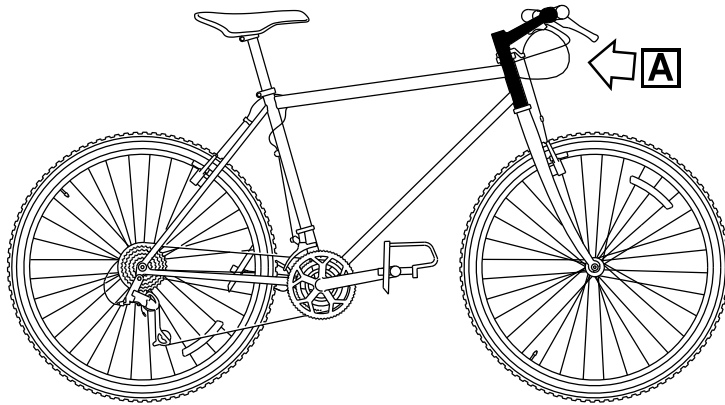
Safety conditions

Note 1

It is not necessary to remove the handlebar for this procedure.

Procedure

- 1 Remove the stem (refer to [S1000DBIKE-AAA-DA2-10-00-00AA-520A-A](#)).
- 2 Remove:
 - the spacers
 - the brake cable hangar
 - the dust seals
 - the conical expansion washer(s) from the steerer tube
- 3 Lift the upper bearing cup off (refer to [Fig 1](#)) and then remove the fork from the frame.



ICN-C0419-S1000D0390-001-01

Fig 1 Lift the upper bearing cup

Requirements after job completion**Required conditions***Table 7 Required conditions*

Action / Condition	Data module / Technical publication
None	

Headset

Install procedures

Table of contents

	Page
Install procedures	1
References	1
Preliminary requirements	1
Procedure	2
Requirements after job completion	3

List of tables

1	References	1
2	Required conditions	1
3	Required persons	1
4	Support equipment	2
5	Consumables, materials and expendables	2
6	Spares	2
7	Required conditions	3

References

Table 1 References

Data module / Technical publication	Title
S1000DBIKE-AAA-DA2-10-00-00AA-720A-A	

Preliminary requirements

Required conditions

Table 2 Required conditions

Action / Condition	Data module / Technical publication
The bicycle is safely held on a work stand	

Required persons

Table 3 Required persons

Persons	Category	Skill level	Trade/Trade code	Estimated time
Man A	Bike Rider	Intermediate	Operator	1,5 h

Applicable to: Mountain bicycle
and (Mountain storm Mk1 or
Brook trekker Mk9)

S1000DBIKE-AAA-DA2-30-00-00AA-720A-A

Support equipment

Table 4 Support equipment

Name	Manufacturer / Part No.	Quantity	Remark
Work stand	MFR: Stand /PN: Stand-001	1 EA	

Consumables, materials and expendables

Table 5 Consumables, materials and expendables

Name	Manufacturer / Part No.	Quantity	Remark
None			

Spares

Table 6 Spares

Name	Manufacturer / Part No.	Quantity	Remark
Frame fork	MFR: KZ555 /PN: St-001-02	1 EA	
Upper bearing cup	MFR: KZ555 /PN: St-001-03	1 EA	
Brake cable hangar	MFR: KT444 /PN: BR-LVRS-002	1 EA	
Dust seal	MFR: KZ555 /PN: St-001-04	1 EA	
Conical expansion washer	MFR: KZ555 /PN: St-001-05	1 EA	

Safety conditions

None

Procedure

- 1 Install the [Frame fork](#) on the frame.
- 2 Install the [Upper bearing cup](#).
- 3 Install the components that follow on the steering tube:
 - the [Brake cable hangar](#)
 - the [Dust seal](#)
 - the [Conical expansion washer](#)
- 4 Install the stem (refer to [S1000DBIKE-AAA-DA2-10-00-00AA-720A-A](#)).

Requirements after job completion**Required conditions***Table 7 Required conditions*

Action / Condition	Data module / Technical publication
None	

Intentionally left blank.

Spacer

Install procedures

Table of contents

	Page
Install procedures	1
References	1
Preliminary requirements	1
Procedure	2
Requirements after job completion	2

List of tables

1	References	1
2	Required conditions	1
3	Required persons	1
4	Support equipment	2
5	Consumables, materials and expendables	2
6	Spares	2
7	Required conditions	2

References

Table 1 References

Data module / Technical publication	Title
S1000DBIKE-AAA-D00-00-01-00AA-930A-A	

Preliminary requirements

Required conditions

Table 2 Required conditions

Action / Condition	Data module / Technical publication
None	

Required persons

Table 3 Required persons

Persons	Category	Skill level	Trade/Trade code	Estimated time
As required				

Applicable to: Mountain bicycle
and Mountain storm Mk1

S1000DBIKE-AAA-DA2-40-00-00AA-720A-A

Support equipment

Table 4 Support equipment

Name	Manufacturer / Part No.	Quantity	Remark
None			

Consumables, materials and expendables

Table 5 Consumables, materials and expendables

Name	Manufacturer / Part No.	Quantity	Remark
None			

Spares

Table 6 Spares

Name	Manufacturer / Part No.	Quantity	Remark
Fork set	MFR: KZ666 /PN: SPA-1000-1	1 EA	Material set
- Spacer	MFR: KZ666 /PN: SPC-200-12	1 EA	

Safety conditions

None

Procedure

- 1 **Note 1**
It is necessary to install the headset before installing any spacer
- 2 Install the spacer ([Spacer](#))

Requirements after job completion

Required conditions

Table 7 Required conditions

Action / Condition	Data module / Technical publication
None	

Frame

Description of how it is made

Table of contents

	Page
Description of how it is made	1
References	1
Description	1
1 The bicycle frame	1

List of tables

1 References	1
--------------------	---

List of figures

1 Welded frame joints	2
2 Frame	3

References

Table 1 References

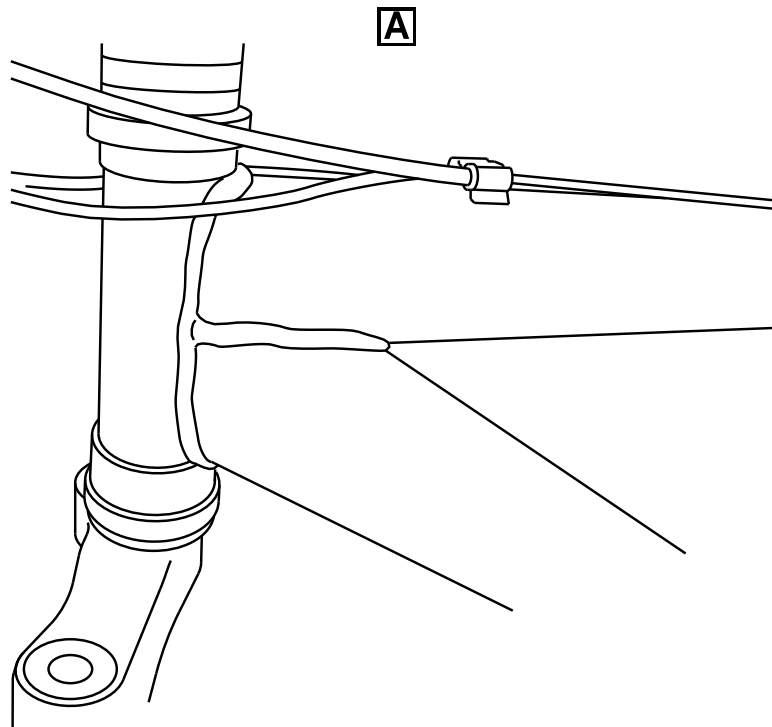
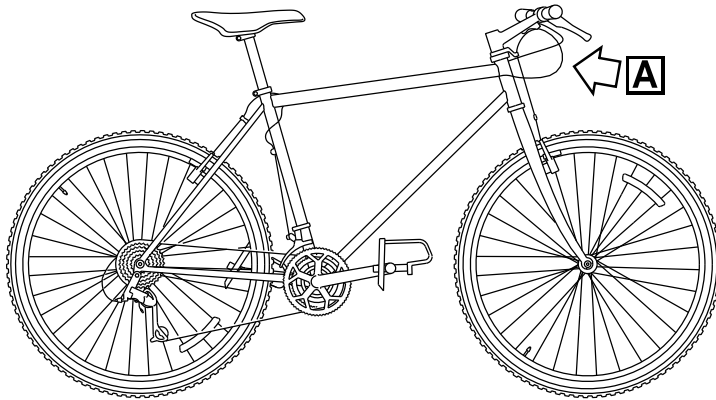
Data module / Technical publication	Title
None	

Description

1 The bicycle frame

The frame is the skeleton, the primary part of your bicycle. Its structure makes the bicycle resistant to large forces.

The initial frames (refer to [Fig 1](#)) were tubes of aluminum or steel welded together.



Produced by Docuneering Ltd

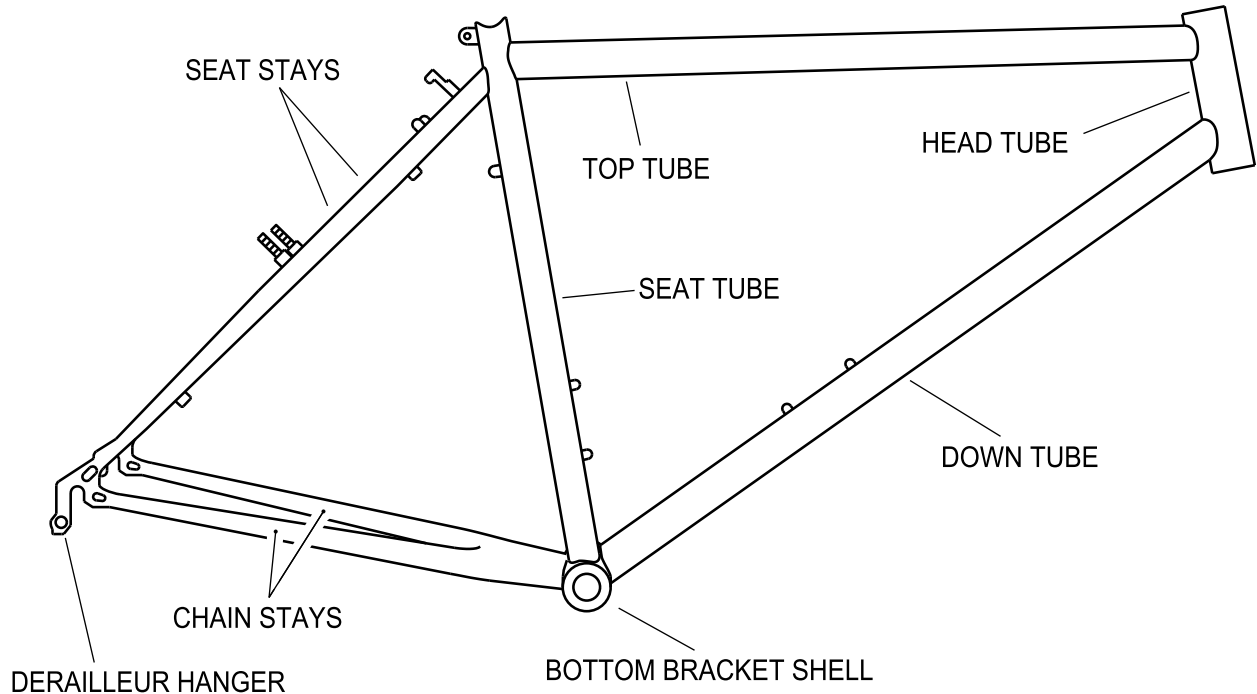
ICN-C0419-S1000D0394-001-01

Fig 1 Welded frame joints

Applicable to: Mountain bicycle
and (Mountain storm Mk1 or
Brook trekker Mk9)

S1000DBIKE-AAA-DA3-00-00-00AA-041A-A

Subsequent frames (refer to Fig 2) can be made out of a wide variety of materials, including aluminium, titanium, or chrome moly.



ICN-C0419-S1000D0393-001-01

Fig 2 Frame

Other Frames are different and can also be of different materials (for example, titanium or chrome moly). Some bicycle frames are of carbon fiber. To get this material, it is necessary to put sheets of carbon fiber cloth on foam forms and epoxy them in position. This procedure gives a very light, strong structure that can have different shapes.

The frame includes the parts that follow:

- the top tube (the higher bar of the bicycle frame)
- the down tube (the section of the frame that extends from the stem to the bottom bracket)
- the head tube (the part of the frame that the fork steerer tube goes through)
- the seat tube (the vertical part of the frame that is the rear of the front triangle and that is between the bottom bracket and the top tube)
- the seat stay (the tube that includes the distance between the seat tube and the rear dropouts)
- the chain stay (the tube that is the bottom part of the rear triangle)

Intentionally left blank.

Horn

Isolated fault

Fault codes

Fault code	Fault description
NYCJD03	Horn failed

Table of contents

	Page
Isolated fault	1
References	1
Fault reporting	1

List of tables

1	References	1
---	------------------	---

References

Table 1 References

Data module / Technical publication	Title
None	

Fault reporting

Fault code

NYCJD03

Fault description

Horn failed

Locate and repair

1 Locate and repair LRU

Line replaceable unit

Nomenclature	Identification
Horn	MFR: KZ444/PN: Horn-001

Repair procedures:..... [S1000DBIKE-AAA-DA3-10-00-00AA-921A-A](#)

Horn

Remove and install a new item

Table of contents

	Page
Remove and install a new item	1
References	1
Preliminary requirements	1
Procedure	2
Requirements after job completion	3

List of tables

1	References	1
2	Required conditions	1
3	Required persons	1
4	Support equipment	2
5	Consumables, materials and expendables	2
6	Spares	2
7	Required conditions	3

References

Table 1 References

Data module / Technical publication	Title
	Local Disposal Procedures

Preliminary requirements

Required conditions

Table 2 Required conditions

Action / Condition	Data module / Technical publication
None	

Required persons

Table 3 Required persons

Persons	Category	Skill level	Trade/Trade code	Estimated time
As required				

Produced by Docuneering Ltd

Applicable to: Mountain bicycle
and (Mountain storm Mk1 or
Brook trekker Mk9)

S1000DBIKE-AAA-DA3-10-00-00AA-921A-A

Support equipment

Table 4 Support equipment

Name	Manufacturer / Part No.	Quantity	Remark
Specialist toolset	MFR: KZ666 /PN: BSK-TLST-001	1 EA	
8mm Allen wrench	MFR: KZ666 /PN: BSK-TLST-001-08	1 EA	

Consumables, materials and expendables

Table 5 Consumables, materials and expendables

Name	Manufacturer / Part No.	Quantity	Remark
None			

Spares

Table 6 Spares

Name	Manufacturer / Part No.	Quantity	Remark
Horn	MFR: KZ444 /PN: Horn-001	1 EA	

Safety conditions

None

Procedure

- 1 Safely hold the bicycle.
- 2 Remove the horn.
 - 2.1 Use the 8mm Allen wrench from the [Specialist toolset](#) and remove the two Allen screws.
 - 2.2 Remove the horn.
- 3 Install the new [Horn](#).
 - 3.1 Install the new [Horn](#) on the handlebars.
 - 3.2 Use the [8mm Allen wrench](#) from the [Specialist toolset](#) and tighten the two Allen screws.

Requirements after job completion**Required conditions***Table 7 Required conditions*

Action / Condition	Data module / Technical publication
Safely discard the horn that you removed	Local Disposal Procedures

Intentionally left blank.

Drivetrain

Description of how it is made

Table of contents

	Page
Description of how it is made	1
References	1
Description	1
1 Drive train	1

List of tables

1 References	1
--------------------	---

References

Table 1 References

Data module / Technical publication	Title
None	

Description

1 Drive train

The drive train is the group of components that are necessary for the operation of the bicycle. The drive train is the primary system for the movement of the bicycle. A typical drive train has the chain wheels, the chain, the pedals and the saddle.

Since the drive train has many components, it is necessary to do a regular maintenance. The drive train maintenance is easy and the users can disassemble and assemble each part of the drive train. Because of this, when one part is defective, it is possible to remove and replace it with a new one.

Intentionally left blank.

Chain

Oil

Table of contents

	Page
Oil	1
References	1
Preliminary requirements	1
Procedure	3
Requirements after job completion	10

List of tables

1	References	1
2	Required conditions	1
3	Required persons	2
4	Support equipment	2
5	Consumables, materials and expendables	2
6	Spares	2
7	Required conditions	10

List of figures

1	Derailleur pivots	4
2	Derailleur tension	5
3	Brake lever pivots	7
4	Lubricate the chain	9

References

Table 1 References

Data module / Technical publication	Title
None	

Preliminary requirements

Required conditions

Table 2 Required conditions

Action / Condition	Data module / Technical publication
The bicycle chain is clean and dry	

Required persons

Table 3 Required persons

Persons	Category	Skill level	Trade/Trade code	Estimated time
Man A	Operator	Intermediate	Bike rider	0,5 h

Support equipment

Table 4 Support equipment

Name	Manufacturer / Part No.	Quantity	Remark
Clean dry cloth	MFR: KZ666 /PN: BSK-TLST-001-12	1 EA	
Floor covering	MFR: KK999 /PN: PPP-001	1 pack	

Consumables, materials and expendables

Table 5 Consumables, materials and expendables

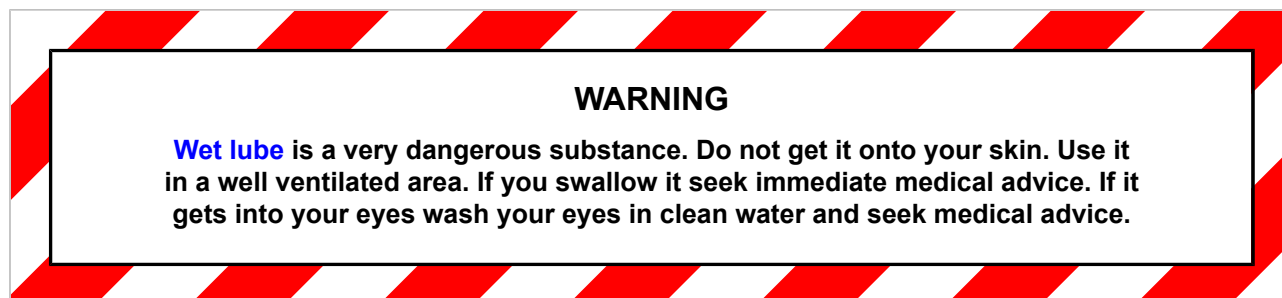
Name	Manufacturer / Part No.	Quantity	Remark
ACME sticky lube 52B	MFR: KZ222 /PN: LL-007	1 dl	
Applicable to: Dry conditions			
AECMA Heavy duty Oil 1988	MFR: B6865 /PN: HD1988	1 dl	

Spares

Table 6 Spares

Name	Manufacturer / Part No.	Quantity	Remark
None			

Safety conditions



WARNING

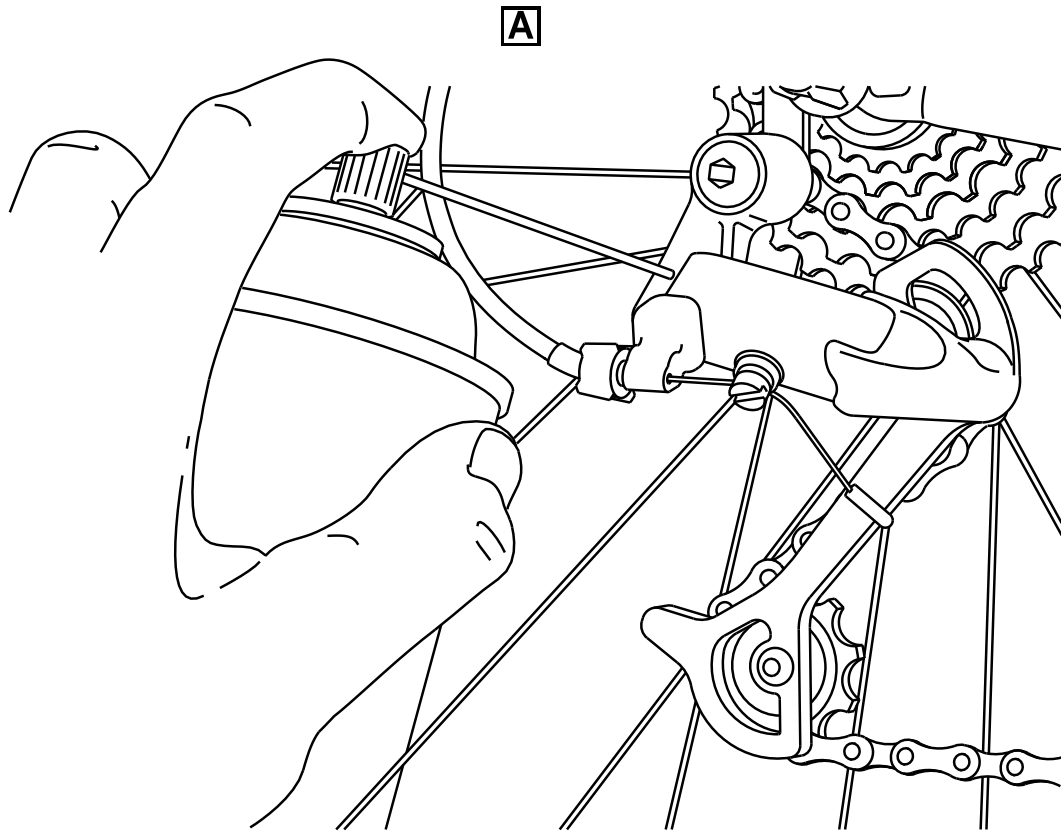
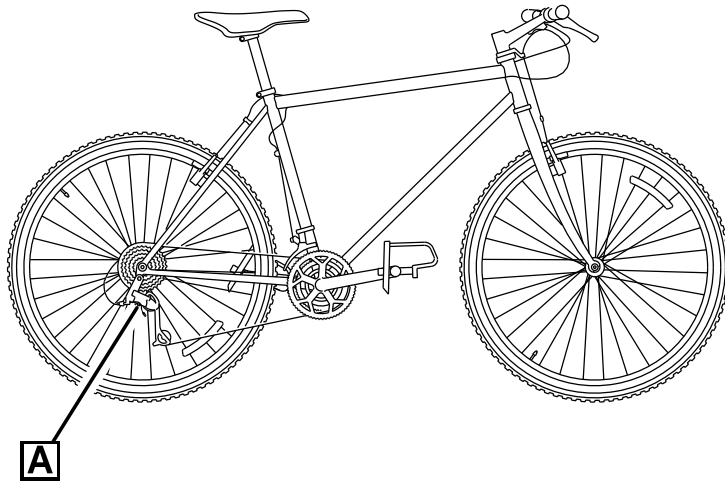
Dry lube is a very dangerous substance. Do not get it onto your skin. Use it in a well ventilated area. If you swallow it seek immediate medical advice. If it gets into your eyes wash your eyes in clean water and seek medical advice.

Procedure

1 Apply the penetrating lubricant into all the parts of the bike that move

1.1 Apply **Wet lube** to:

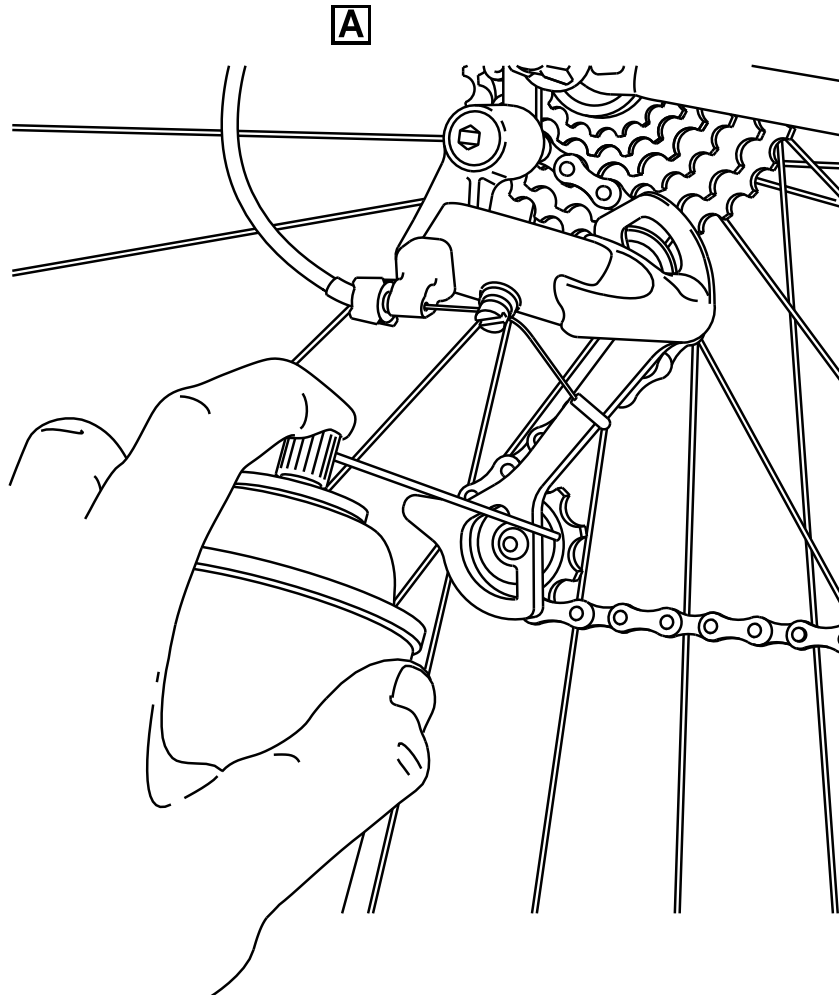
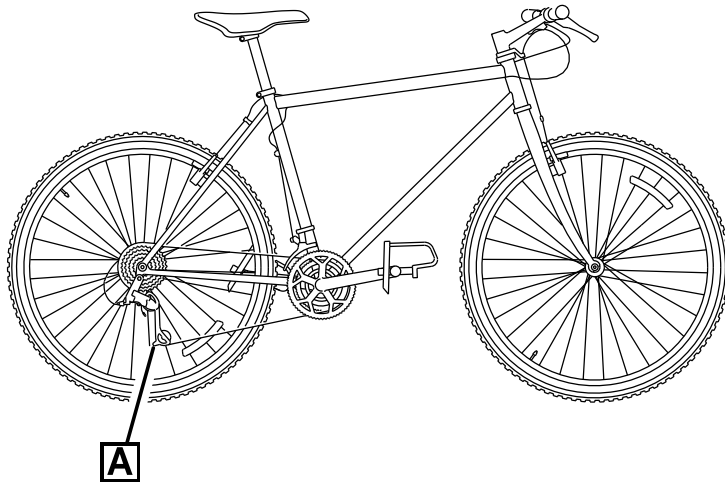
- derailleur pivots (refer to [Fig 1](#))
- derailleur tension (refer to [Fig 2](#))



Produced by Docuneering Ltd

ICN-C0419-S1000D0398-001-01

Fig 1 Derailleur pivots



Produced by Docuneering Ltd

ICN-C0419-S1000D0399-001-01

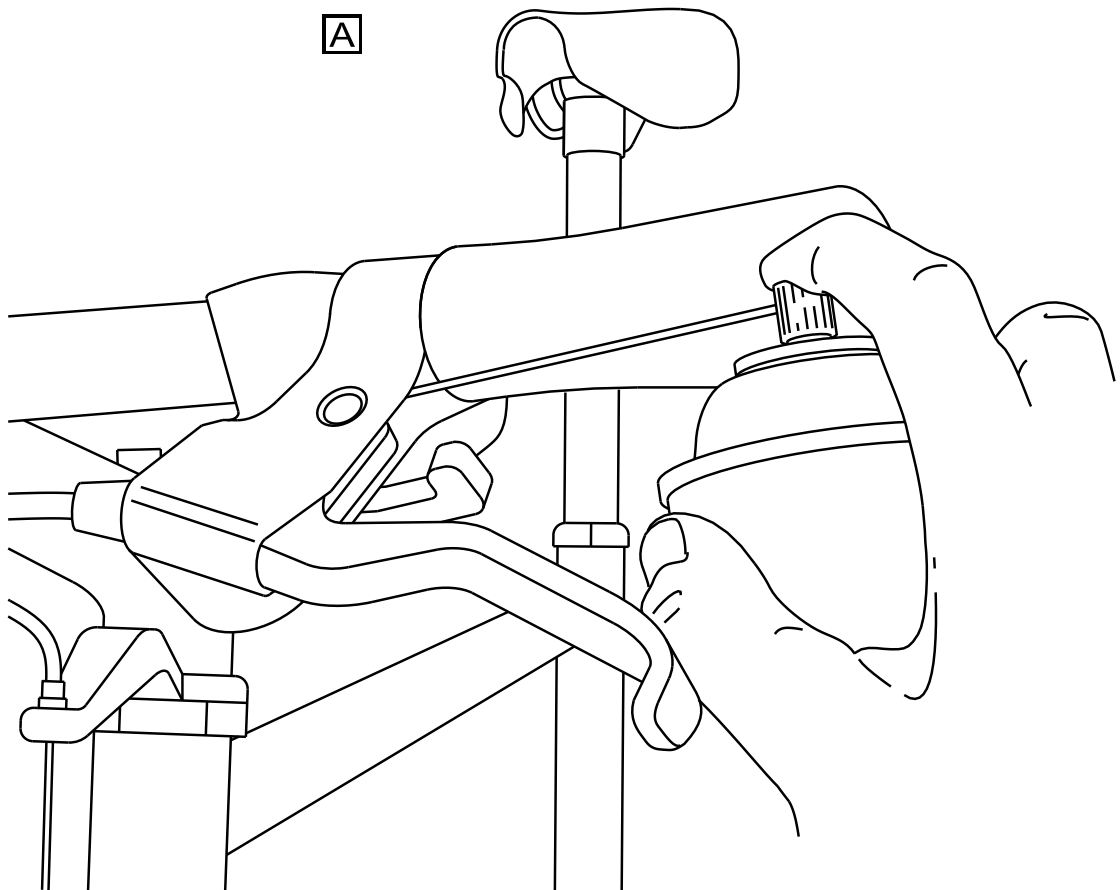
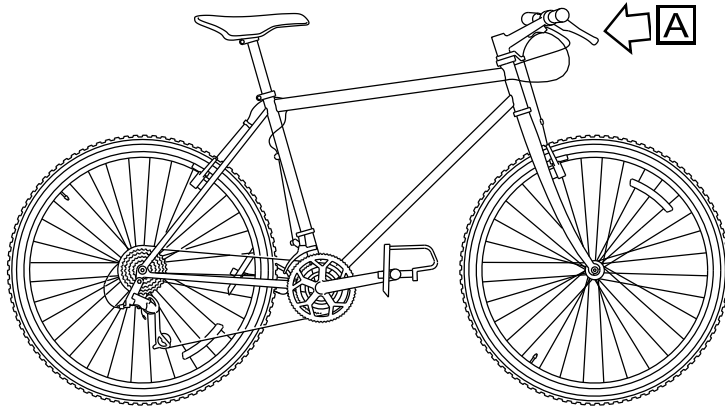
Fig 2 Derailleur tension

1.2 Apply [Wet lube](#) to:

- brake lever pivots (refer to [Fig 3](#))

These brake lever pivots include:

- derailleur pivots
- derailleur tension
- guide wheels
- brake lever pivots
- control cables and where they go into their casings



ICN-C0419-S1000D0383-001-01

Fig 3 Brake lever pivots

Produced by Docuneering Ltd

2 Lubricate the chain

- 2.1 Make sure the chain is clean and dry.
- 2.2 Put the [Floor covering](#) on the floor below the chain.

Applicable to: *Dry conditions*

- 2.3 Apply the [Dry lube](#) to each roller of the chain (refer to [Fig 4](#)) but only apply a small quantity.

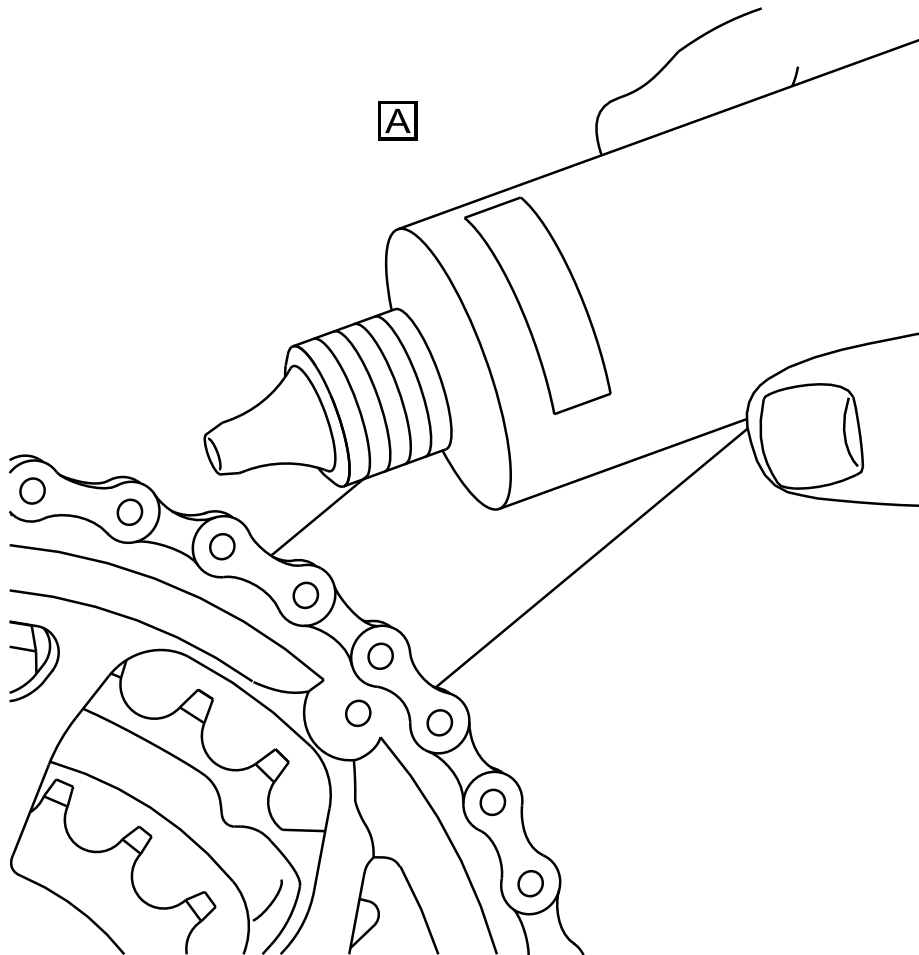
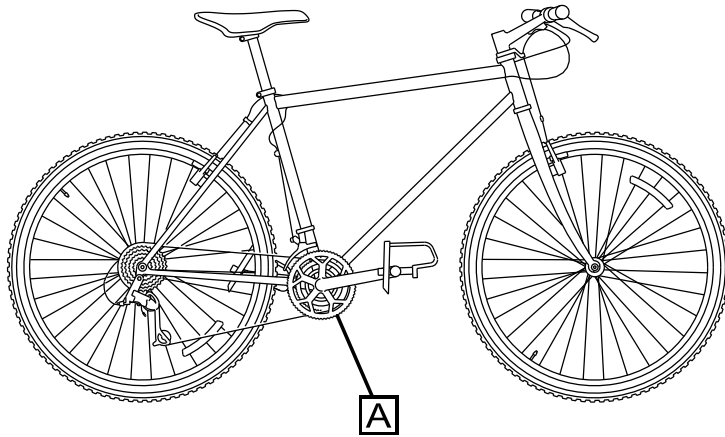
Applicable to: *Wet conditions*

- 2.3 Apply the [Wet lube](#) to each roller of the chain (refer to [Fig 4](#)) but only apply a small quantity.
- 2.4 Hold the nozzle of the container above the front of the chain ring and slowly turn the cranks rearwards.

2.5



Let the lubricant soak into chain before you clean the unwanted lubricant from the chain.



Produced by Docuneering Ltd

ICN-C0419-S1000D0395-001-01

Fig 4 Lubricate the chain

3 Check lubricated parts

- 3.1 Do a check of the rear wheel rim and clean the unwanted lubricant if necessary.
- 3.2 Do a check of the chain to make sure that each link is lubricated. If there are links that do not move easily or have become frozen, lubricate the chain again (refer to [Step 2](#)).
- 3.3 Do a check of the remaining lubricated parts and clean the unwanted lubricant with a [Clean dry cloth](#).

Requirements after job completion

Required conditions

Table 7 Required conditions

Action / Condition	Data module / Technical publication
None	

Chain

Clean with chemical agent

Table of contents

	Page
Clean with chemical agent	1
References	1
Preliminary requirements	1
Procedure	2
Requirements after job completion	3

List of tables

1	References	1
2	Required conditions	1
3	Support equipment	1
4	Consumables, materials and expendables	2
5	Spares	2
6	Required conditions	3

References

Table 1 References

Data module / Technical publication	Title
S1000DBIKE-AAA-D00-00-00-00AA-121A-A	

Preliminary requirements

Required conditions

Table 2 Required conditions

Action / Condition	Data module / Technical publication
None	

Support equipment

Table 3 Support equipment

Name	Manufacturer / Part No.	Quantity	Remark
Stiff bristle brush	MFR: KZ666 /PN: BSK-TLST-001-02	1 EA	
Chain cleaning fluid	MFR: KZ222 /PN: LL-003	As required	

Applicable to: Mountain bicycle
and (Mountain storm Mk1 or
Brook trekker Mk9)

S1000DBIKE-AAA-DA4-10-00-00AA-251B-A

Table 3 Support equipment (Continued)

Name	Manufacturer / Part No.	Quantity	Remark
Chain cleaning tool	MFR: KZ666 /PN: BSK-TLST-001-03	1 EA	

Consumables, materials and expendables

Table 4 Consumables, materials and expendables

Name	Manufacturer / Part No.	Quantity	Remark
Floor covering	MFR: KK999 /PN: PPP-001	1 pack	
General lubricant	MFR: KZ222 /PN: LL-001	As required	

Spares

Table 5 Spares

Name	Manufacturer / Part No.	Quantity	Remark
None			

Safety conditions

None

Procedure

- 1 Inspect the chain.
Do the inspection of the chain as given in the pre-ride checks (refer to [S1000DBIKE-AAA-D00-00-00AA-121A-A](#)).
- 2 Prepare the cleaning area.
 - 2.1 Put the [Floor covering](#) on a satisfactory floor area.
 - 2.2 Put the bicycle on the floor covering.
- 3 Clean debris from the chain.
 - 3.1 Use the [Stiff bristle brush](#) and loosen as much unwanted material as possible.
 - 3.2 Make sure that you remove all the unwanted material from the chain.
- 4 Clean the chain.
 - 4.1 Open the [Chain cleaning tool](#) and fill with the [Chain cleaning fluid](#).
 - 4.2 Move the chain to the middle chainring and the middle sprocket at the rear.
 - 4.3 Put the chain in the chain guides of the chain cleaning tool and lock the tool on the chain.

- 4.4 Hold the tool with the left hand and slowly turn the rearwards with the right hand.
- 4.5 Press the button on the cleaning tool to make sure that cleaning fluid flows until the tool is empty.
- 4.6 If necessary, remove the unwanted chain cleaning fluid.
- 5 Lubricate the chain.
- 5.1 Use the [General lubricant](#) and lubricate the chain.
- 5.2 Unlock and remove the cleaning tool.
- 5.3 If necessary, remove the unwanted lubricant.

Requirements after job completion

Required conditions

Table 6 Required conditions

Action / Condition	Data module / Technical publication
Move the bicycle to its storage area and remove the floor covering.	

Intentionally left blank.

Drive train

Correlated fault

Table of contents

	Page
Correlated fault	1
References	1
Fault reporting	1

List of tables

1	References	1
---	------------------	---

References

Table 1 References

Data module / Technical publication	Title
None	

Fault reporting

Messages and warnings

Built-in test messages

- 1** **Fault code: 100FC01**
Fault description
 The pedal mechanism is jammed
- 2** **Fault code: 200FC01**
Fault description
 The derailleur is jammed

Isolate detected fault

1 **Fault isolation test – LRU**

Line replaceable unit

Nomenclature	Identification
Bicycle chain	MFR: KZ120/PN: Tchain-120

Produced by Docuneering Ltd

Remarks

Prepare the derailleur to put transmission chain back on pedal mechanism.

Gears

Description of how it is made

Table of contents

	Page
Description of how it is made	1
References	1
Description	1
1 Gears	1

List of tables

1 References	1
--------------------	---

References

Table 1 References

Data module / Technical publication	Title
S1000DBIKE-AAA-DA5-10-00-00AA-041A-A	
S1000DBIKE-AAA-DA5-30-00-00AA-041A-A	

Description

1 Gears

The gears include the mechanism, the hubs and the shifters.

The description of the mechanisms is given in [S1000DBIKE-AAA-DA5-10-00-00AA-041A-A](#)

The description of the shifters is given in [S1000DBIKE-AAA-DA5-30-00-00AA-041A-A](#)

The bicycles of these days can have 27 gears or more. The mountain bikes use a set that includes:

- Three socket sprockets of different dimension on the front
- Nine socket sprockets of different dimensions at the rear

This set gives the gear ratios.

The shifters installed on the handlebars change the gears and operate the mechanisms (also known as derailleurs). These derailleurs are cable-actuated mechanisms. They move the chain from the different sprockets.

The hub is the center of the wheel and contains the axle and bearings.

The gears let the rider crank at the pedals at a constant movement on slopes of different angles.

Intentionally left blank.

Mechs

Description of how it is made

Table of contents

	Page
Description of how it is made	1
References	1
Description	1
1 Derailleur	1
1.1 Front derailleur	1
1.2 Rear derailleur	3

List of tables

1 References	1
--------------------	---

List of figures

1 Front derailleur	2
2 Rear derailleur	4

References

Table 1 References

Data module / Technical publication	Title
None	

Description

1 Derailleur

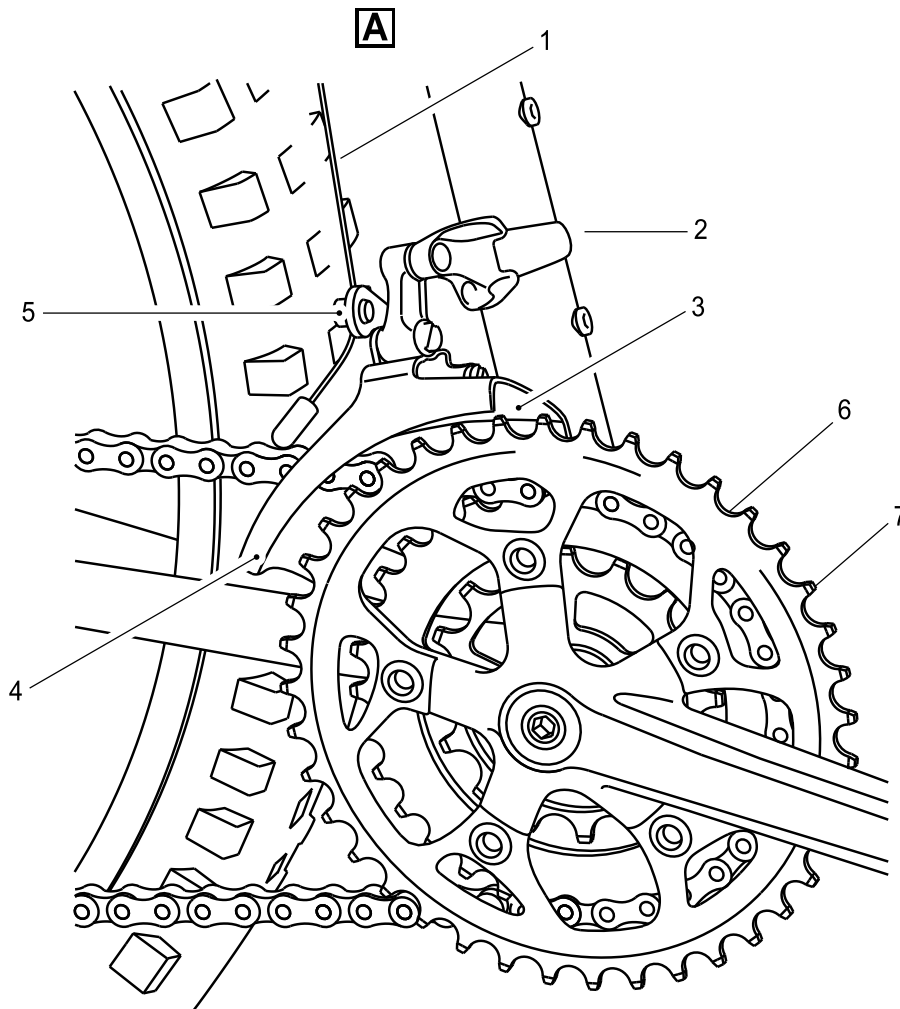
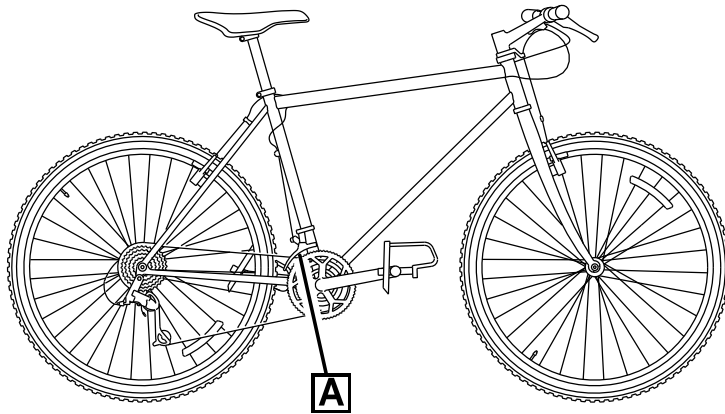
There are two different types of derailleur, the front and the rear.

1.1 Front derailleur

The front derailleur (refer to [Fig 1](#)) contains two types of screws to keep the movement of the derailleur to a minimum. These screws are:

- the stop screw low-gear
- the stop screw high-gear

The function of these screws is to prevent the rider from over shifting . If this occurs, the chain will go out of the chain wheel.



ICN-C0419-S1000D0396-001-01

Fig 1 Front derailleur

Produced by Docuneering Ltd

Applicable to: Mountain bicycle
and (Mountain storm Mk1 or
Brook trekker Mk9)

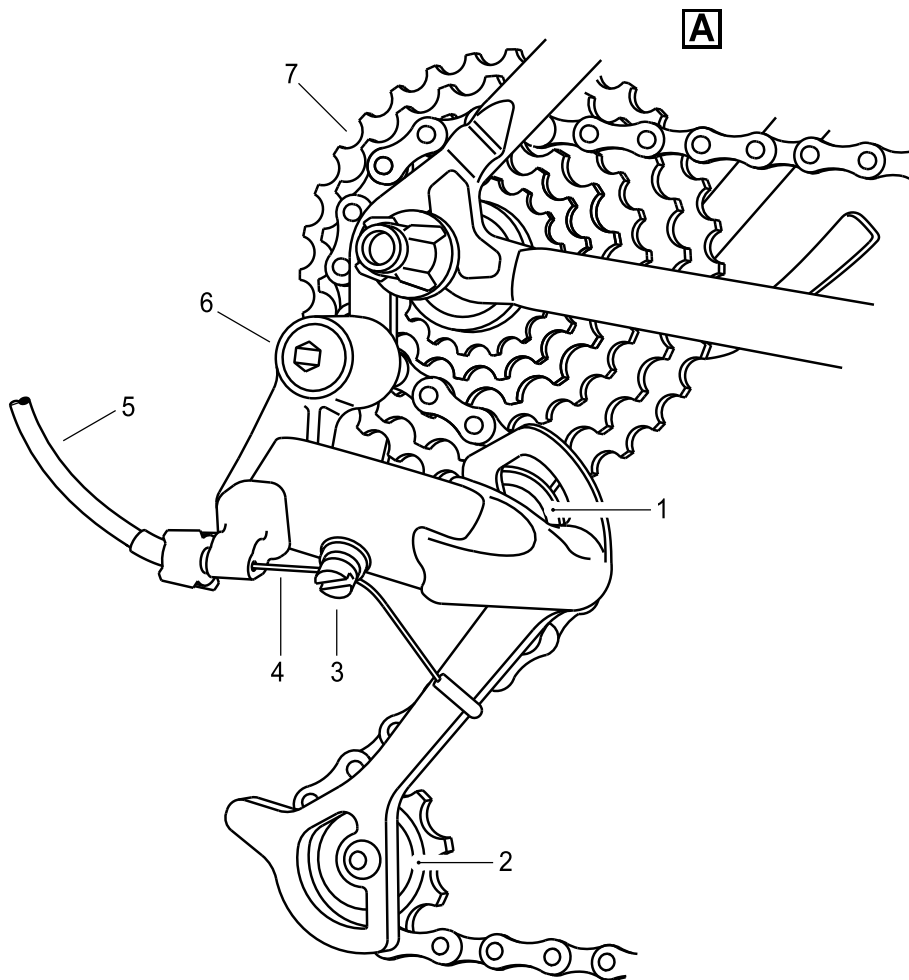
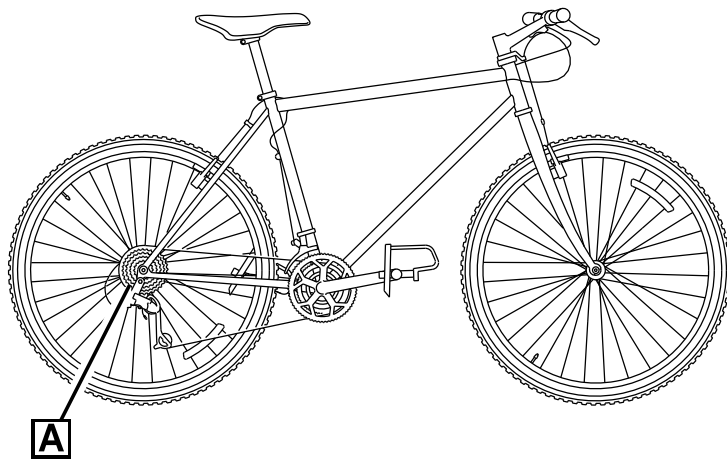
S1000DBIKE-AAA-DA5-10-00-00AA-041A-A

The derailleur is installed on the bicycle seat tube with a clamp and is parallel to the three front sprockets.

The shift cable is connected between the shifters on the handle bars and the cable clamp bolt on the front derailleur. This operates the derailleur. On the sprockets there is an inner and outer cage. The clamp attaches the cage.

1.2 Rear derailleur

The rear derailleur (refer to [Fig 2](#)) section contains the sprockets for the different gear changes. When the cable clamp bolt is tight, it holds the shift cable in its position. A screwed bolt holds the tension wheel.



Produced by Docuneering Ltd

ICN-C0419-S1000D0397-001-01

Fig 2 Rear derailleur

Applicable to: Mountain bicycle
and (Mountain storm Mk1 or
Brook trekker Mk9)

S1000DBIKE-AAA-DA5-10-00-00AA-041A-A

The derailleur mounting bolt connects the derailleur to the frame. When the user attaches this bolt, this makes sure that the cage plates are parallel with the chain rings.

The guide wheel has the function to move the chain with the derailleur. It moves the chain from one sprocket to the other. The guide wheel must not move on its axis. If this occurs, there will be wear on the wheel. The position of the guide wheel is below the largest sprocket.

Intentionally left blank.

Hubs

Clean with chemical agent

Table of contents

	Page
Clean with chemical agent	1
References	1
Preliminary requirements	1
Procedure	2
Requirements after job completion	5

List of tables

1	References	1
2	Required conditions	1
3	Required persons	2
4	Support equipment	2
5	Consumables, materials and expendables	2
6	Spares	2
7	Required conditions	5

List of figures

1	Removing the axle	4
---	-------------------------	---

References

Table 1 References

Data module / Technical publication	Title
S1000DBIKE-AAA-DA0-20-00-00AA-520A-A	

Preliminary requirements

Required conditions

Table 2 Required conditions

Action / Condition	Data module / Technical publication
Rear wheel removed	S1000DBIKE-AAA-DA0-20-00-00AA-520A-A

Produced by Docuneering Ltd

Required persons

Table 3 Required persons

Persons	Category	Skill level	Trade/Trade code	Estimated time
Man B	Supervisor	Advanced	Bicycle mechanic	0,8 h
Man A	Basic user		Operator	0,3 h

Support equipment

Table 4 Support equipment

Name	Manufacturer / Part No.	Quantity	Remark
Specialist toolset	MFR: KZ666 /PN: BSK-TLST-001	1 EA	

Consumables, materials and expendables

Table 5 Consumables, materials and expendables

Name	Manufacturer / Part No.	Quantity	Remark
Degreasing agent	MFR: KZ222 /PN: LL-004	As required	
General grease	MFR: KZ222 /PN: LL-005	As required	

Spares

Table 6 Spares

Name	Manufacturer / Part No.	Quantity	Remark
None			

Safety conditions

None

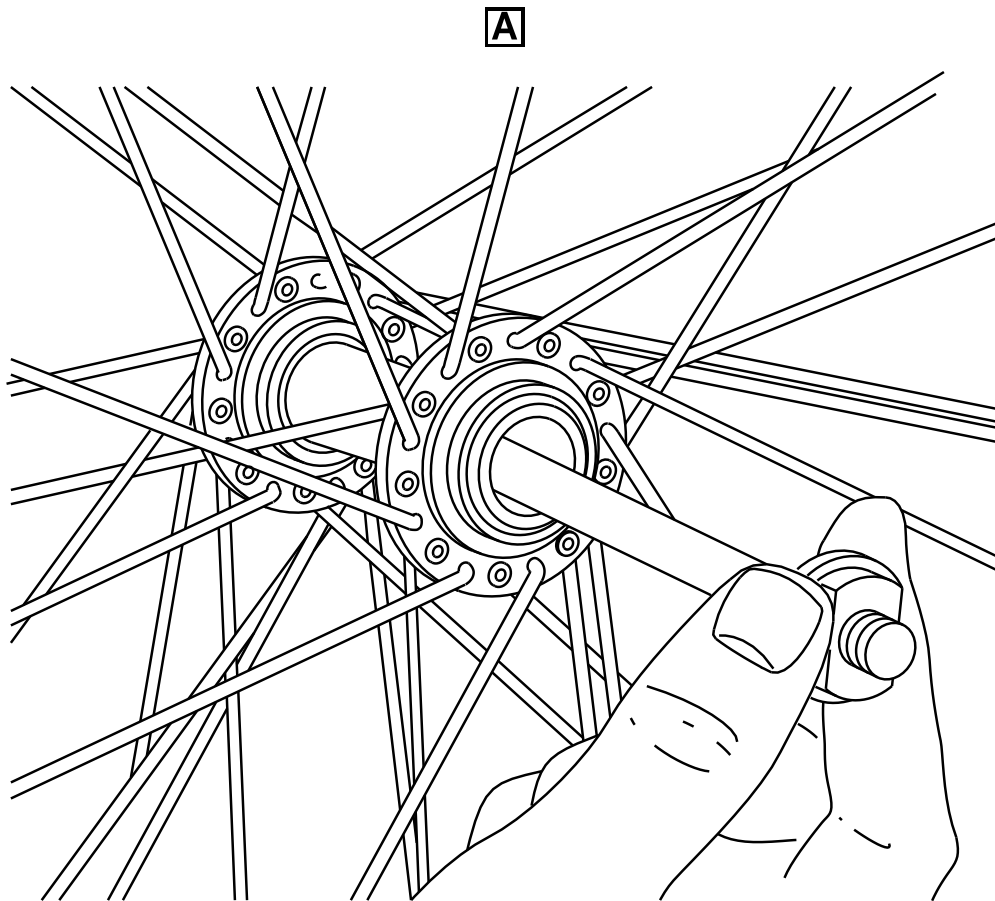
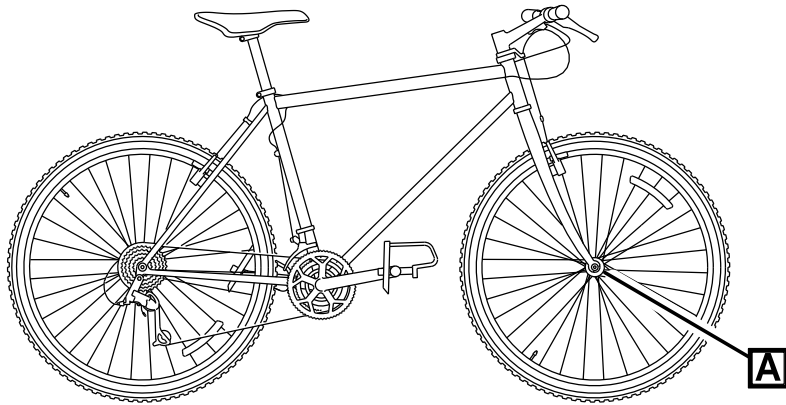
Procedure

- 1 Remove the axle.
- 1.1 Use the cone-wrench from the [Specialist toolset](#) and remove the locknut from one side of the axle.
- 1.2 Remove the washer and the cone from the axle.

1.3



Pull the axle out from the other side as shown in [Fig 1](#) .



ICN-C0419-S1000D0401-001-01

Fig 1 Removing the axle

-
- 2 Remove the bearings.
 - 2.1 Use a small screwdriver from the [Specialist toolset](#) and remove the bearings from their races.
 - 2.2 Make sure that each side of the hub has the same number of bearings.
 - 2.3 Use the [Degreasing agent](#) and clean all the parts of the hub.
 - 2.4 Do a check of the axle to make sure that it is straight.
 - 2.5 Examine the bearing contact area on the cones and the races in the hub for pitting and other signs of damage.
 - 2.6 Do a check of the ball bearings for signs of damage.
 - 2.7 Apply a large quantity of [General grease](#) on each hub race.
 - 3 Assemble the hub.
 - 3.1 Install the ball bearings into the races and push them into the grease.
 - 3.2 Apply more grease on the tops of the bearings.
 - 3.3 Install the axle through the hub.
 - 3.4 Install the cone, the washer and the locknut on the other side of the axle.
 - 3.5 Use the cone-wrench from the specialist toolset and carefully tighten the locknut.

Requirements after job completion

Required conditions

Table 7 Required conditions

Action / Condition	Data module / Technical publication
None	

Intentionally left blank.

Shifters

Description of how it is made

Table of contents

	Page
Description of how it is made	1
References	1
Description	1
1 Shifters	1
2 How a thumb shifter is made up	3

List of tables

1 References	1
--------------------	---

List of figures

1 Thumb shifter index type	2
2 Unscrew wingnut	4
3 Loosen the nut	5
4 Loosen the shifter clamp bolt	7

References

Table 1 References

Data module / Technical publication	Title
None	

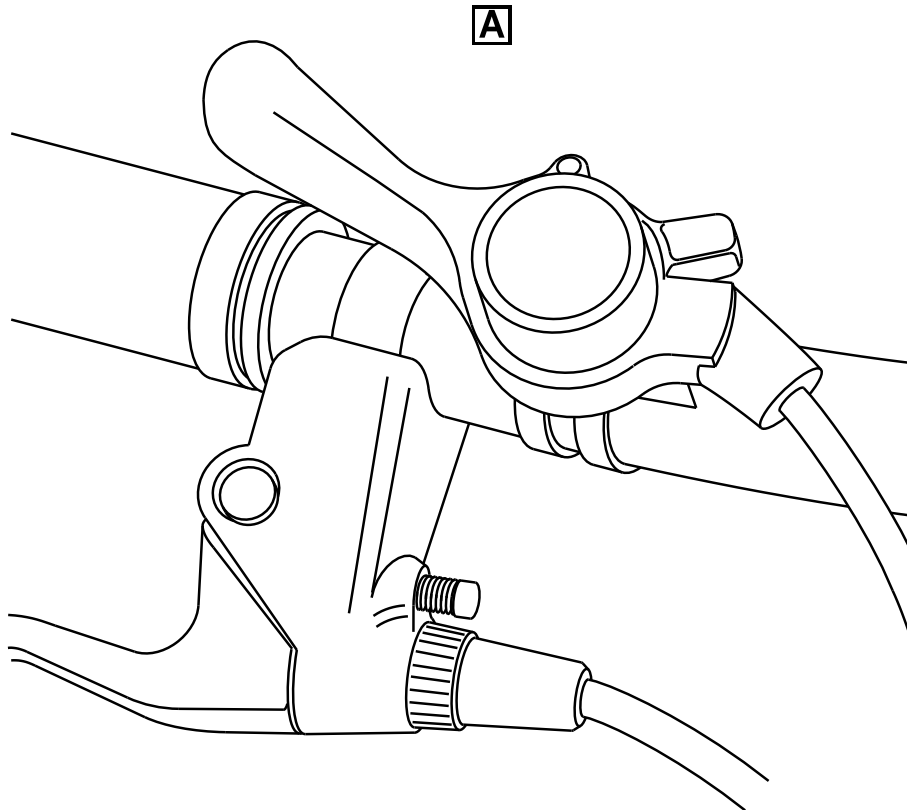
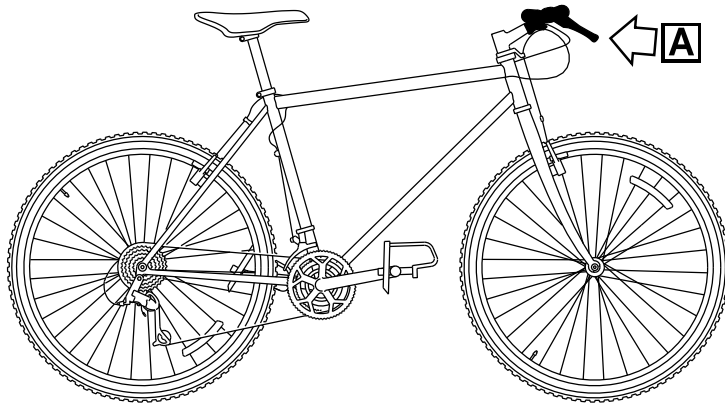
Description

1 Shifters

The thumb shifter is a usual type in modern bicycles. It is possible to adjust this type of shifter for operation in the index position or in the friction position. The differences between the two are:

- The index shifters change the gears with a click of a lever.
- The friction shifters hold the derailleur in its position by friction.

The thumb shifters (refer to [Fig 1](#)) are held on the bicycle with a screw. The paragraph that follows gives a description of a thumb shifter.



Produced by Docuneering Ltd

ICN-C0419-S1000D0405-001-01

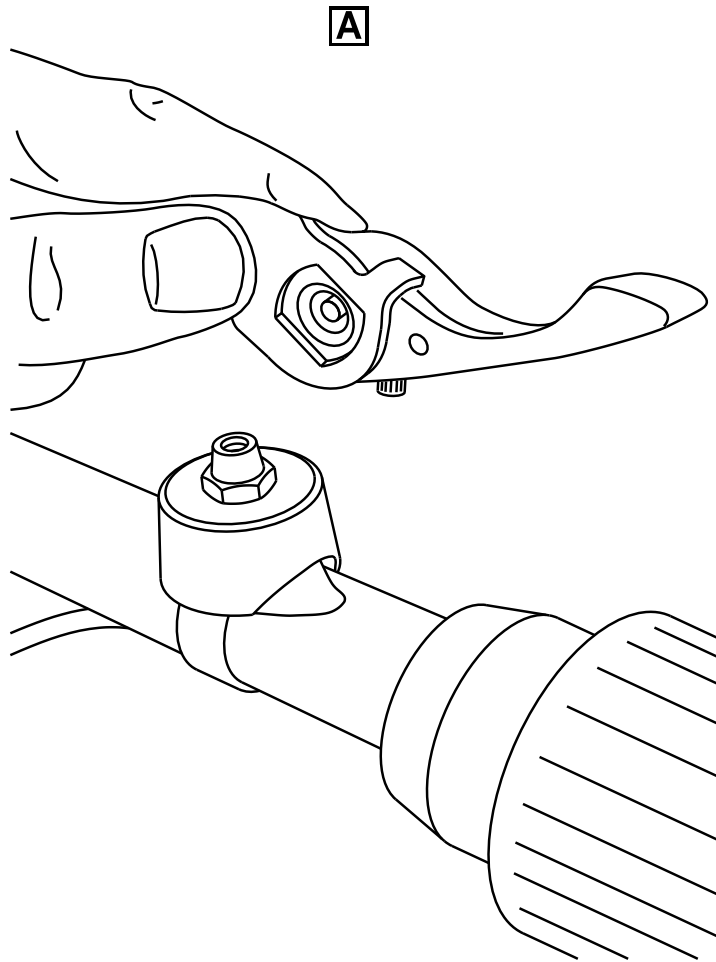
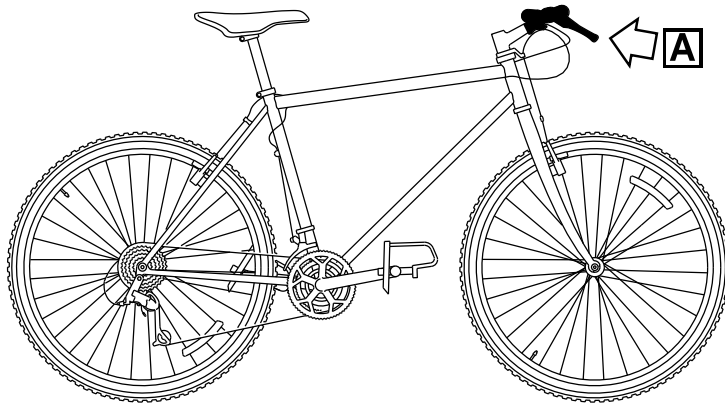
Fig 1 Thumb shifter index type

Applicable to: Mountain bicycle
and (Mountain storm Mk1 or
Brook trekker Mk9)

S1000DBIKE-AAA-DA5-30-00-00AA-041A-A

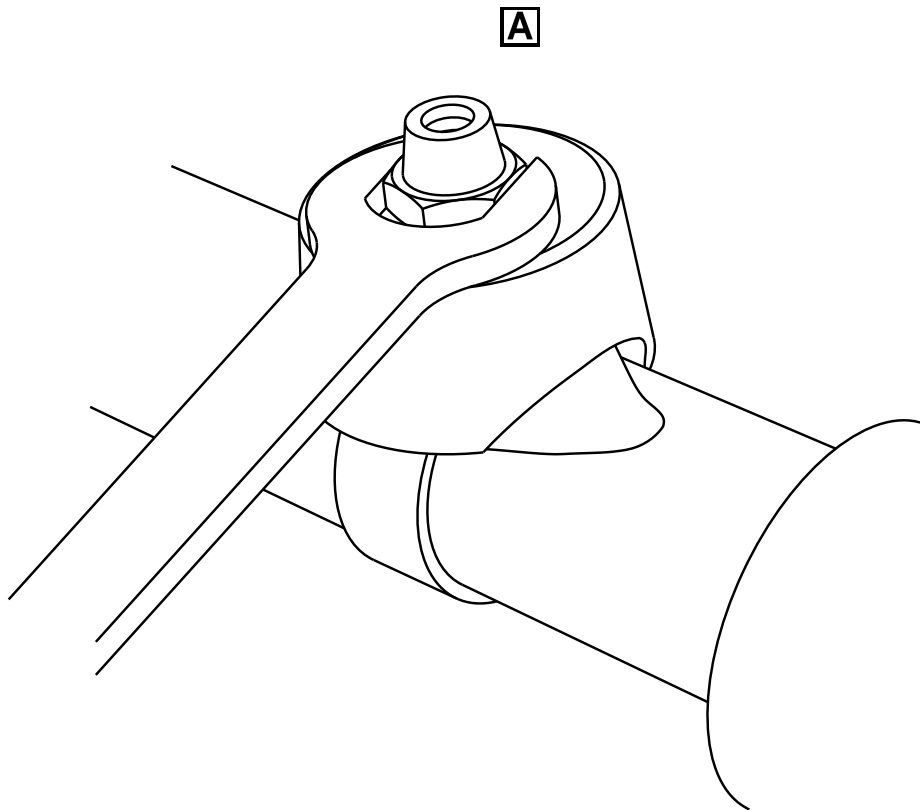
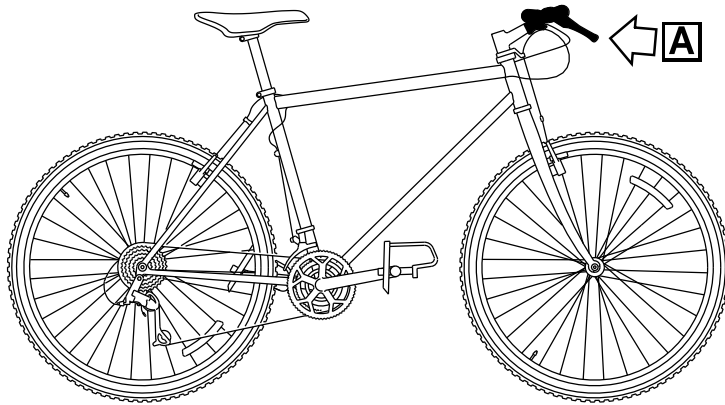
2 How a thumb shifter is made up

A wing nut (refer to [Fig 2](#)) from the top of the lever holds the thumb shifter. The lever is on top of the mount and the mount is on the handle bar with a nut. To remove the mount, it is necessary to loosen the nut of two turns (refer to [Fig 3](#)), then the mount can move from the handle bar from the top of the lever. The lever sits on top of the mount and the mount is fixed into place on the handle bar by a nut.



ICN-C0419-S1000D0402-001-01

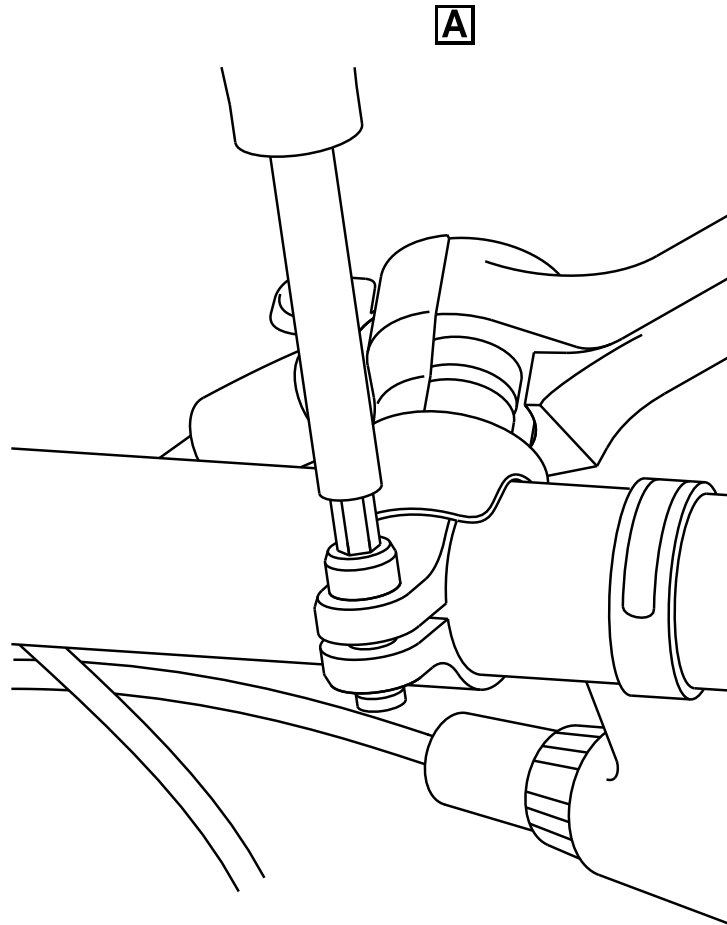
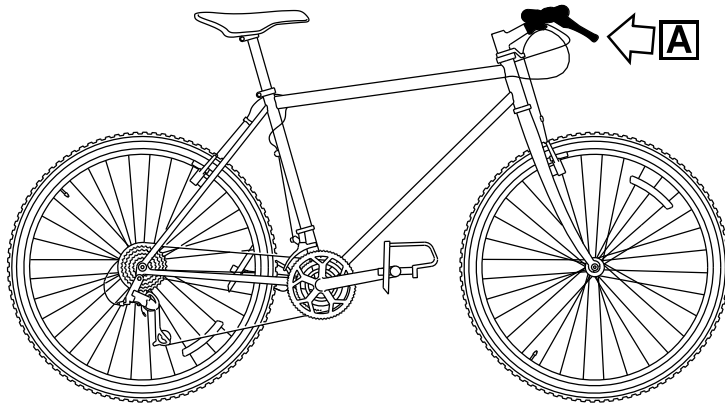
Fig 2 Unscrew wingnut



ICN-C0419-S1000D0403-001-01

Fig 3 Loosen the nut

On modern models of this shifter, there is a clamp bolt that holds the shifter in its position (refer to [Fig 4](#)). The user can loosen the clamp bolt with an applicable tool. This lets the shifter release the handlebar.



ICN-C0419-S1000D0404-001-01

Fig 4 Loosen the shifter clamp bolt

Intentionally left blank.

Section 2

Brakes

Intentionally left blank.

Applicability cross-reference table*Table 2 Product attribute list*

Name	Description	Data type	Values
Display name (Id)		Value pattern	
Brake serial number B/SN (SerialNo)	Serial number by brake	String	
Model (model)	The model of the brake	String	BR01 BR02 SS-11

Intentionally left blank.

Brake system

Description of how it is made

Table of contents

	Page
Description of how it is made	1
References	1
Description	1
1 Brake system	1
1.1 Cantilever brake	1
1.2 Brake pads	4
1.3 Brake lever	6

List of tables

1 References	1
--------------------	---

List of figures

1 Cantilever brake with straddle cable	3
2 Exploded diagram of a brake	5
3 Typical components of a mountain bicycle lever	7

References

Table 1 References

Data module / Technical publication	Title
None	

Description

1 Brake system

The most important part of the bicycle is the brake system. Only a minimum maintenance of the brake system is necessary. But, when a problem does occur, make sure you do the necessary maintenance as quickly as possible. If you do not do this the bicycle will be dangerous to use.

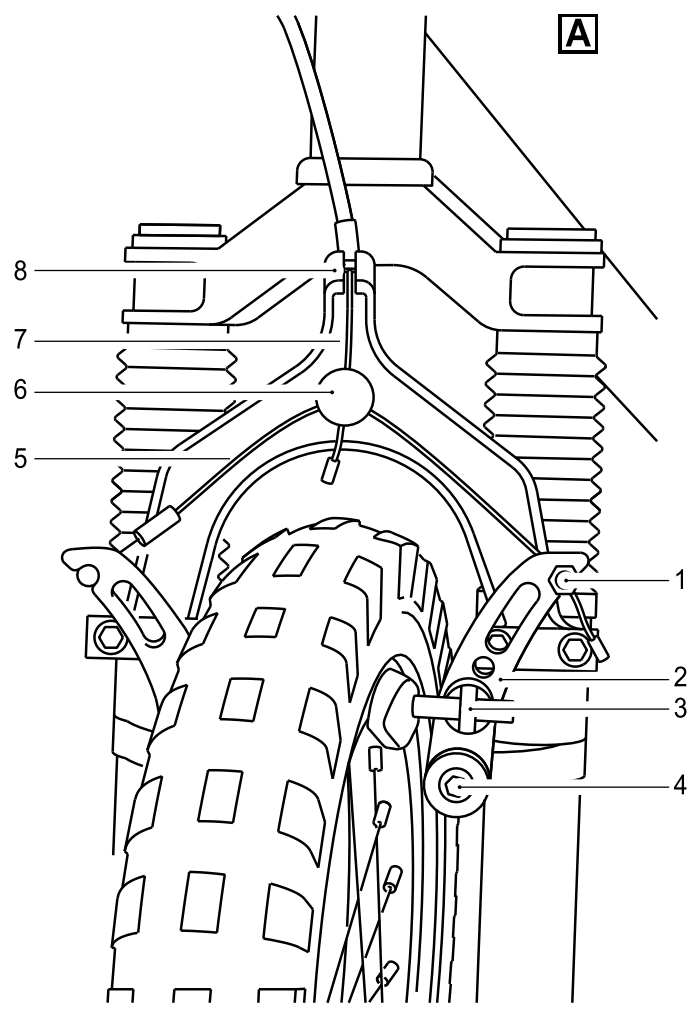
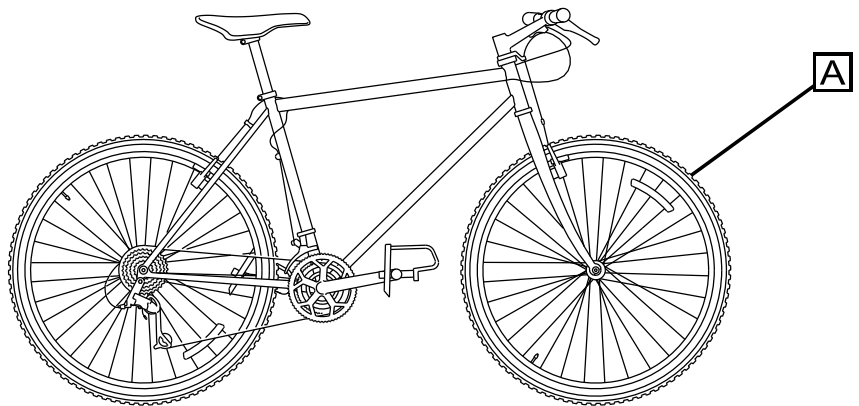
There are nine different types of brake systems. The one found on most bicycles is the cantilever brake (refer to [Para 1.1](#)).

1.1 Cantilever brake

The brake system (refer to [Fig 1](#)) has these primary components:

- the brake lever (refer to [Para 1.3](#))
- the brake cable

the brake arm
the brake clamp (also known as callipers)
the brake pads (refer to [Para 1.2](#))



ICN-C0419-S1000D0379-001-01

Fig 1 Cantilever brake with straddle cable

Produced by Docuneering Ltd

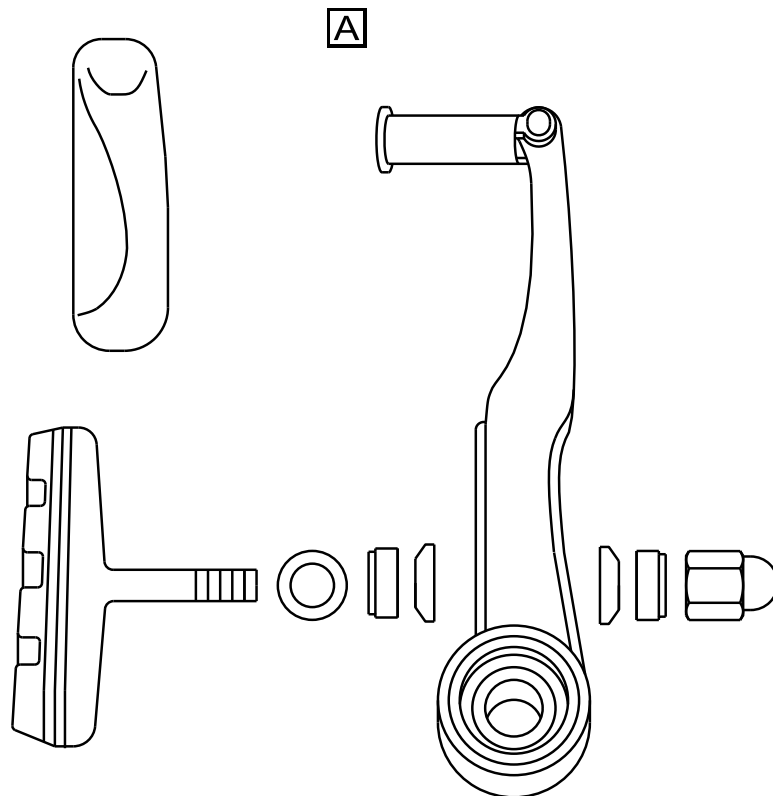
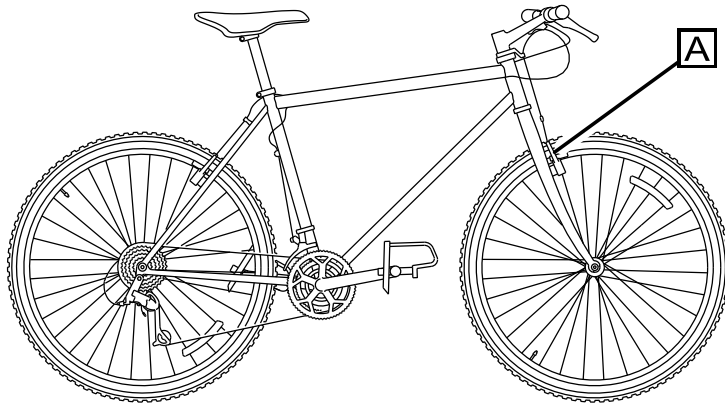
Applicable to: SerialNo:
0001~0008 and model: BR01

BRAKE-AAA-DA1-00-00-00AA-041A-A

A cable that goes from the brake levers on the handlebars pulls the two levers on the brakes together. This presses the brake pads against the outer rim of the wheel, which decreases the speed of the bicycle.

1.2 Brake pads

There are four brake pads (refer to [Fig 2](#)) on the bicycle. Two are found on the front wheel and two on the rear wheel. The brake pads are made out of hard wearing rubber. The pads press against the rim of the wheel to cause friction when the you operate the brake levers.



ICN-C0419-S1000D0380-001-01

Fig 2 Exploded diagram of a brake

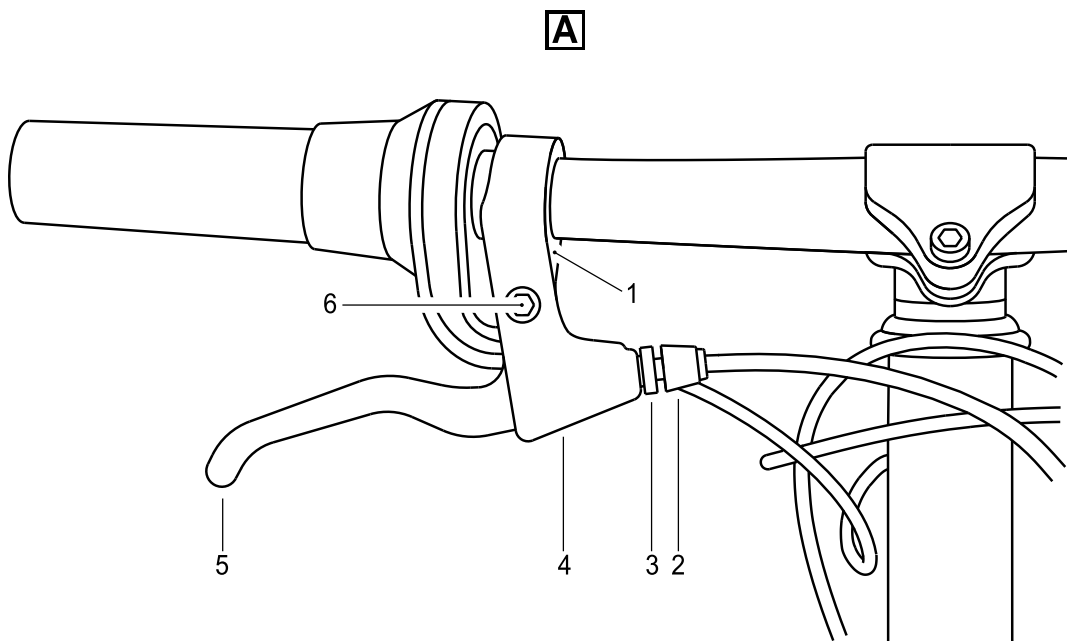
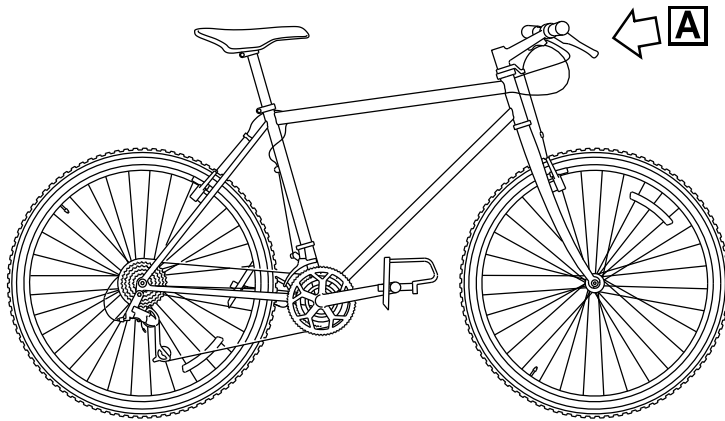
Produced by Docuneering Ltd

Applicable to: SerialNo:
0001~0008 and model: BR01

BRAKE-AAA-DA1-00-00-00AA-041A-A

1.3 Brake lever

The brake levers (refer to [Fig 3](#)) are easily damaged. The lever is installed in the mount. A clamp bolt holds the mount. This bolt is not visible because it is found in the mount. The lever turns on a lever pivot bolt. The adjuster lock nut holds the brake cable. This lock nut adjusts the tension of the cable.



Produced by Docuneering Ltd

ICN-C0419-S1000D0381-001-01

Fig 3 Typical components of a mountain bicycle lever

Applicable to: SerialNo:
0001~0008 and model: BR01

BRAKE-AAA-DA1-00-00-00AA-041A-A

The left brake lever holds the brake pads on the front wheel and the right brake pads hold the brakes on the rear wheel.

Brake system

Manual test

Table of contents

	Page
Manual test	1
References	1
Preliminary requirements	1
Procedure	2
Requirements after job completion	2

List of tables

1	References	1
2	Required conditions	1
3	Required persons	1
4	Support equipment	2
5	Consumables, materials and expendables	2
6	Spares	2
7	Required conditions	2

References

Table 1 References

Data module / Technical publication	Title
None	

Preliminary requirements

Required conditions

Table 2 Required conditions

Action / Condition	Data module / Technical publication
None	

Required persons

Table 3 Required persons

Persons	Category	Skill level	Trade/Trade code	Estimated time
Man A	Basic user		Operator	0,3 h

Applicable to: SerialNo: 0111
and model: SS-11

BRAKE-AAA-DA1-00-00-00AA-341A-A

Support equipment

Table 4 Support equipment

Name	Manufacturer / Part No.	Quantity	Remark
None			

Consumables, materials and expendables

Table 5 Consumables, materials and expendables

Name	Manufacturer / Part No.	Quantity	Remark
None			

Spares

Table 6 Spares

Name	Manufacturer / Part No.	Quantity	Remark
None			

Safety conditions

None

Procedure

- 1 Put the bicycle in a vertical position.
- 2 Hold the handle bars and push the bicycle forwards.
- 3 Apply the brakes.
- 4 Make sure that the wheels lock and the bicycle stops.

Requirements after job completion

Required conditions

Table 7 Required conditions

Action / Condition	Data module / Technical publication
None	

Brake pads

Clean with rubbing alcohol

Table of contents

	Page
Clean with rubbing alcohol	1
References	1
Preliminary requirements	1
Procedure	2
Requirements after job completion	3

List of tables

1	References	1
2	Required conditions	1
3	Required persons	1
4	Support equipment	2
5	Consumables, materials and expendables	2
6	Spares	2
7	Required conditions	3

References

Table 1 References

Data module / Technical publication	Title
S1000DBIKE-AAA-D00-00-00AA-121A-A	

Preliminary requirements

Required conditions

Table 2 Required conditions

Action / Condition	Data module / Technical publication
None	

Required persons

Table 3 Required persons

Persons	Category	Skill level	Trade/Trade code	Estimated time
Man A	Basic user		Operator	0,3 h

Applicable to: SerialNo: 0010|
0023|0056~0062 and model:
BR02

BRAKE-AAA-DA1-10-00-00AA-251A-A

Support equipment

Table 4 Support equipment

Name	Manufacturer / Part No.	Quantity	Remark
None			

Consumables, materials and expendables

Table 5 Consumables, materials and expendables

Name	Manufacturer / Part No.	Quantity	Remark
Rubbing alcohol	MFR: KZ222 /PN: LL-002	As required	

Spares

Table 6 Spares

Name	Manufacturer / Part No.	Quantity	Remark
None			

Safety conditions

None

Procedure

- 1 Do a visual inspection of the brakes as given in the pre-ride checks (refer to [S1000DBIKE-AAA-D00-00-00-00AA-121A-A](#)).
- 2 Clean the brake pads.
 - 2.1 Find each of the brake pads.
 - 2.2 Apply a thin layer of the [Rubbing alcohol](#) on each of the brake pads.
 - 2.3 Rub the surface until you have applied the [Rubbing alcohol](#) to the complete surface of the pad.
 - 2.4 Remove the unwanted alcohol.

Requirements after job completion

Required conditions

Table 7 Required conditions

Action / Condition	Data module / Technical publication
None	

Intentionally left blank.

Section 3

Electrical Lighting System

Intentionally left blank.

Lighting

Functional item numbers common information repository

Table of contents

	Page
Functional item numbers common information repository	1
References	1
Functional items repository	1

List of tables

1	References	1
---	------------------	---

References

Table 1 References

Data module / Technical publication	Title
None	

Functional items repository

1 **Batt (ELO-Box)**

Functional item identifier:..... Batt
 Type:..... Exact
 Installation identifier:..... ELO-Box
 Context identification:..... PN-AC-12561
 Manufacturer code:..... F0001
 Originator:..... Manufacturer
 Name:..... Battery

Alternatives:

Applicable to: *Mountain storm Mk1*

– **Functional item**

Normative component:..... Yes
 Location:..... Section: 21 cm

2 **C_Batt (ELO-Box)**

Functional item identifier:..... C_Batt
 Type:..... Exact
 Installation identifier:..... ELO-Box
 Context identification:..... PN-AC-12561

Produced by Docuneering Ltd

Manufacturer code:..... F0001
 Originator:..... Manufacturer
 Name:..... Connector

Alternatives:

Applicable to: *Mountain storm Mk1*

- **Functional item**
 Sealed:..... Yes
 Location:..... [Zone 300](#)

3 C_Bike (ELO-Box)

Functional item identifier:..... C_Bike
 Type:..... Exact
 Installation identifier:..... ELO-Box
 Name:..... Receptacle

Alternatives:

Applicable to: *Mountain storm Mk1*

- **Functional item**
 Normative component:..... Yes
 Location:..... instloctyp60: 60 cm

4 Diode (d1)

Functional item identifier:..... Diode
 Type:..... Exact
 Installation identifier:..... d1
 Name:..... Diode

Alternatives:

Applicable to: *Mountain storm Mk1*

- **Functional item**
 Normative component:..... Yes
 Location:..... [Zone 100](#)

5 Diode (d2)

Functional item identifier:..... Diode
 Type:..... Exact
 Installation identifier:..... d2
 Name:..... Diode

Alternatives:

Applicable to: *Mountain storm Mk1*

- **Functional item**
 Normative component:..... Yes
 Location:..... [Zone 300](#)

6 ELO-Box

Functional item identifier:..... ELO-Box
 Type:..... Exact
 Name:..... Electronic Box 01

Alternatives:

Applicable to: Mountain storm Mk1

- **Functional item**
 Normative component:..... Yes
 Location:..... instloctyp60: 45 cm
 Family:..... Electronic Unit

7 FT1 (ELO-Box)

Functional item identifier:..... FT1
 Type:..... Exact
 Installation identifier:..... ELO-Box
 Name:..... GT-002-WD

Alternatives:

Applicable to: Mountain storm Mk1

- **Functional item**
 Normative component:..... Yes
 Location:..... instloctyp60: 10 cm

8 FT2 (ELO-Box)

Functional item identifier:..... FT2
 Type:..... Exact
 Installation identifier:..... ELO-Box
 Name:..... GT-004-WD

Alternatives:

Applicable to: Mountain storm Mk1

- **Functional item**
 Normative component:..... Yes
 Location:..... instloctyp60: 10 cm

9 FT3 (ELO-Box)

Functional item identifier:..... FT3
 Type:..... Exact
 Installation identifier:..... ELO-Box
 Name:..... GT-004-WD

Alternatives:

Applicable to: Mountain storm Mk1

- **Functional item**

Normative component:.....Yes
 Location:..... instloctyp60: 10 cm

10 Gen

Functional item identifier:.....Gen
 Type:..... Exact
 Name:.....Generator

Alternatives:

Applicable to: Mountain storm Mk1

– **Functional item**

Normative component:.....Yes
 Location:..... Zone 200

11 L1

Functional item identifier:.....L1
 Type:..... Exact
 Name:.....Front light

Alternatives:

Applicable to: Mountain storm Mk1

– **Functional item**

Normative component:.....Yes
 Location:..... Buttock line: 55 cm
 Family:..... lights

12 L2

Functional item identifier:.....L2
 Type:..... Exact
 Name:.....Rear light

Alternatives:

Applicable to: Mountain storm Mk1

– **Functional item**

Normative component:.....Yes
 Location:..... Buttock line: 30 cm
 Family:..... lights

13 Rel (ELO-BOX)

Functional item identifier:.....Rel
 Type:..... Exact
 Installation identifier:..... ELO-BOX
 Name:.....Relay

Alternatives:

Applicable to: Mountain storm Mk1

– **Functional item**

Normative component:.....Yes
Location:..... instloctyp60: 95 cm

14 S1 (ELO-Box)

Functional item identifier:.....S1
Type:..... Exact
Installation identifier:..... ELO-Box
Name:..... Switch

Alternatives:

Applicable to: Mountain storm Mk1

– **Functional item**

Normative component:.....Yes
Location:..... Water line: 30 cm

15 Sensor

Functional item identifier:.....Sensor
Type:..... Exact
Name:..... Speed sensor

Alternatives:

Applicable to: Mountain storm Mk1

– **Functional item**

Normative component:.....Yes
Location:..... Water line: 2 cm

16 T01

Functional item identifier:.....T01
Type:..... Exact
Name:..... Tachometer

Alternatives:

Applicable to: Mountain storm Mk1

– **Functional item**

Normative component:.....Yes
Location:..... Water line: 6 cm

17 VV1 (ELO-Box)

Functional item identifier:.....VV1
Type:..... Exact
Installation identifier:..... ELO-Box

Name:.....Distribution module

Alternatives:

Applicable to: *Mountain storm Mk1*

– **Functional item**

Normative component:.....Yes

Location:..... instloctyp60: 25 cm

Lighting

Parts common information repository

Table of contents

	Page
Parts common information repository	1
References	1
Parts repository	1

List of tables

1	References	1
---	------------------	---

References

Table 1 References

Data module / Technical publication	Title
None	

Parts repository

1 LIRUS-B1-12F

Part number:..... LIRUS-B1-12F
 Manufacturer code:..... KZ777
 Description for part:..... Front Bulb
 Procurement data:..... F0001

Technical data

Part usage:..... Basic issue item

2 LIRUS-B1-12R

Part number:..... LIRUS-B1-12R
 Manufacturer code:..... KZ777
 Description for part:..... Rear Bulb
 Procurement data:..... F0001

Technical data

Part usage:..... Basic issue item

3 LIRUS-G1-10

Part number:..... LIRUS-G1-10
Manufacturer code:..... KZ777
Description for part:..... Glass
Procurement data:..... F0001

Technical data

Part usage:..... Basic issue item

4 LIRUS-G1-10H

Part number:..... LIRUS-G1-10H
Manufacturer code:..... KZ777
Description for part:..... Glass with hole
Procurement data:..... F0001

Technical data

Part usage:..... Basic issue item

5 LIRUS-L1-10

Part number:..... LIRUS-L1-10
Manufacturer code:..... KZ777
Description for part:..... Battery
Procurement data:..... F0001

Technical data

Part usage:..... Basic issue item
Special storage:..... Yes

6 LIRUS-L1-11

Part number:..... LIRUS-L1-11
Manufacturer code:..... KZ777
Description for part:..... Bulb
Procurement data:..... F0001

Technical data

Part usage:..... Basic issue item
Special storage:..... Yes

7 LIRUs-L1-11

Part number:..... LIRUs-L1-11
Manufacturer code:..... KZ111
Description for part:..... Bulb
Procurement data:..... F0001

Technical data

Part usage:..... Basic issue item
Special storage:..... Yes

8 LRU-B001

Part number:..... LRU-B001
Manufacturer code:..... KZ777
Description for part:..... Bracket, light mounting
Procurement data:..... F0001

Technical data

Part usage:..... Basic issue item
Special storage:..... No

9 LRU-B003

Part number:..... LRU-B003
Manufacturer code:..... KZ777
Description for part:..... Clip
Procurement data:..... F0001

Technical data

Part usage:..... Basic issue item
Special storage:..... No

10 LRU-B124

Part number:..... LRU-B124
Manufacturer code:..... KZ777
Description for part:..... Screw,special
Procurement data:..... F0001

Technical data

Part usage:..... Basic issue item
Special storage:..... No

Produced by Docuneering Ltd

11 LRU-B556

Part number:..... LRU-B556
Manufacturer code:..... KZ777
Description for part:..... Washer,flat
Procurement data:..... F0001

Technical data

Part usage:..... Basic issue item
Special storage:..... No

12 LRU-B789

Part number:..... LRU-B789
Manufacturer code:..... KZ777
Description for part:..... Grip,strip
Procurement data:..... F0001

Technical data

Part usage:..... Basic issue item
Special storage:..... No

13 LRU1001

Part number:..... LRU1001
Manufacturer code:..... KZ777
Description for part:..... Light system
Procurement data:..... F0001

Technical data

Part usage:..... Basic issue item
Special storage:..... Yes

14 LRU1010

Part number:..... LRU1010
Manufacturer code:..... KZ777
Description for part:..... Light, sub-assembly front
Procurement data:..... F0001

Technical data

Part usage:..... Basic issue item
Special storage:..... Yes

15 LRU1011

Part number:..... LRU1011
Manufacturer code:..... KZ777
Description for part:..... Light, main body
Procurement data:..... F0001

Technical data

Part usage:..... Basic issue item
Special storage:..... No

16 LRU1012

Part number:..... LRU1012
Manufacturer code:..... KZ777
Description for part:..... Light, base
Procurement data:..... F0001

Technical data

Part usage:..... Basic issue item
Special storage:..... No

17 LRU1013

Part number:..... LRU1013
Manufacturer code:..... KZ777
Description for part:..... Seal
Procurement data:..... F0001

Technical data

Part usage:..... Basic issue item
Special storage:..... No

18 LRU1018

Part number:..... LRU1018
Manufacturer code:..... KZ777
Description for part:..... Lens, assembly
Procurement data:..... F0001

Technical data

Part usage:..... Basic issue item
Special storage:..... No

19 LRU1019

Part number:..... LRU1019
Manufacturer code:..... KZ777
Description for part:..... Lens sub-assembly
Procurement data:..... F0001

Technical data

Part usage:..... Basic issue item
Special storage:..... No

20 LRU1020

Part number:..... LRU1020
Manufacturer code:..... KZ777
Description for part:..... Reflector
Procurement data:..... F0001

Technical data

Part usage:..... Basic issue item
Special storage:..... No

21 LRU1022

Part number:..... LRU1022
Manufacturer code:..... KZ777
Description for part:..... Seal
Procurement data:..... F0001

Technical data

Part usage:..... Basic issue item
Special storage:..... No

22 LRU1026

Part number:..... LRU1026
Manufacturer code:..... KZ777
Description for part:..... Loom wiring
Procurement data:..... F0001

Technical data

Part usage:..... Basic issue item
Special storage:..... No

23 LRU2010

Part number:..... LRU2010
Manufacturer code:..... KZ777
Description for part:..... Light, sub assembly rear
Procurement data:..... F0001

Technical data

Part usage:..... Basic issue item

24 LRU2018

Part number:..... LRU2018
Manufacturer code:..... KZ777
Description for part:..... Lens, assembly rear
Procurement data:..... F0001

Technical data

Part usage:..... Basic issue item

Intentionally left blank.

Lighting

Zones common information repository

Table of contents

	Page
Zones common information repository	1
References	1
Zones repository	1

List of tables

1	References	1
---	------------------	---

References

Table 1 References

Data module / Technical publication	Title
None	

Zones repository

- 1 100**

Type:..... Major zone

Zone number:..... 100

contains:..... [Zone 110](#)

Alternatives:

Applicable to: *Brook trekker Mk9*

 - **Zone**
 - Description:..... FRONT ZONE BEGINS BY FRONT TIRE. IT STARTS FROM LENGTH "0 cm" TO LENGTH "50 cm"
- 2 110**

Type:..... Subzone

Zone number:..... 110

contains:..... [Zone 100](#)

Alternatives:

Applicable to: *Brook trekker Mk9*

 - **Zone**

Produced by Docuneering Ltd

Description:..... TIRE ZONE INCLUDING THE FRONT TIRE,
THE INNER TUBE AND THE SPOKES

3 200

Type:..... Major zone

Zone number:..... 200

Alternatives:

Applicable to: *Brook trekker Mk9*

– **Zone**

Description:..... MIDDLE ZONE. IT STARTS FROM LENGTH
"50 cm" TO LENGTH "100 cm"

4 300

Type:..... Major zone

Zone number:..... 300

Alternatives:

Applicable to: *Mountain storm Mk1*

– **Zone**

Description:..... BACK ZONE. IT STARTS FROM LENGTH "100
cm" TO LENGTH "150 cm"

Lighting

Support equipment common information repository

Table of contents

	Page
Support equipment common information repository	1
References	1
Tools repository	1

List of tables

1	References	1
---	------------------	---

References

Table 1 References

Data module / Technical publication	Title
None	

Tools repository

1 **BSK-TLST-001**

Tool number:..... BSK-TLST-001
 Manufacturer code:..... KZ666
 Description for part:..... Specialist toolset Descr
 Short name:..... Specialist toolset

Technical data

Quantity:..... 1

Alternatives:

– **Tool**

Description:..... Specialist toolset Descr

2 BSK-TLST-001-01

Tool number:..... BSK-TLST-001-01
Manufacturer code:..... KZ666
Description for part:..... Tire pressure gauge Descr
Short name:..... Tire pressure gauge

Technical data

Quantity:..... 1

Alternatives:- **Tool**

Description:..... Tire pressure gauge Descr

3 BSK-TLST-001-02

Tool number:..... BSK-TLST-001-02
Manufacturer code:..... KZ666
Description for part:..... Stiff bristle brus Descr
Short name:..... Stiff bristle brush

Technical data

Quantity:..... 1

Alternatives:- **Tool**

Description:..... Stiff bristle brush Descr

4 BSK-TLST-001-03

Tool number:..... BSK-TLST-001-03
Manufacturer code:..... KZ666
Description for part:..... Chain cleaning tool Descr
Short name:..... Chain cleaning tool

Technical data

Quantity:..... 1

Alternatives:- **Tool**

Description:..... Chain cleaning tool Descr

5 BSK-TLST-001-04

Tool number:..... BSK-TLST-001-04
Manufacturer code:..... KZ666
Description for part:..... Tire lever Descr
Short name:..... Tire lever

Technical data

Quantity:..... 1

Alternatives:

- **Tool**
Description:..... Tire lever Descr

6 BSK-TLST-001-05

Tool number:..... BSK-TLST-001-05
Manufacturer code:..... KZ666
Description for part:..... Foot pump Descr
Short name:..... Foot pump

Technical data

Quantity:..... 1

Alternatives:

- **Tool**
Description:..... Foot pump Descr

7 BSK-TLST-001-07

Tool number:..... BSK-TLST-001-07
Manufacturer code:..... KZ666
Description for part:..... Marker pen Descr
Short name:..... Marker pen

Technical data

Quantity:..... 1

Alternatives:

- **Tool**
Description:..... Marker pen Descr

8 BSK-TLST-001-07

Tool number:..... BSK-TLST-001-07
Manufacturer code:..... KZ666
Description for part:..... Tube patch kit Descr
Short name:..... Tube patch kit

Technical data

Quantity:..... 1

Alternatives:

– **Tool**

Description:..... Tube patch kit Descr

9 BSK-TLST-001-08

Tool number:..... BSK-TLST-001-08
Manufacturer code:..... KZ666
Description for part:..... 8mm Allen wrench Descr
Short name:..... 8mm Allen wrench

Technical data

Quantity:..... 1

Alternatives:

– **Tool**

Description:..... 8mm Allen wrench Descr

10 BSK-TLST-001-09

Tool number:..... BSK-TLST-001-09
Manufacturer code:..... KZ666
Description for part:..... Water hose Descr
Short name:..... Water hose

Technical data

Quantity:..... 1

Alternatives:

– **Tool**

Description:..... Water hose Descr

11 BSK-TLST-001-11

Tool number:..... BSK-TLST-001-11

Manufacturer code:..... KZ666

Description for part:..... Sponge Descr

Short name:..... Sponge

Technical data

Quantity:..... 1

Alternatives:

– **Tool**

Description:..... Sponge Descr

12 BSK-TLST-001-12

Tool number:..... BSK-TLST-001-12

Manufacturer code:..... KZ666

Description for part:..... Clean dry cloth Descr

Short name:..... Clean dry cloth

Technical data

Quantity:..... 1

Alternatives:

– **Tool**

Description:..... Clean dry cloth Descr

13 BSK-TLST-001-13

Tool number:..... BSK-TLST-001-13

Manufacturer code:..... KZ666

Description for part:..... Set of Allen wrenches Descr

Short name:..... Set of Allen wrenches

Technical data

Quantity:..... 1

Alternatives:

– **Tool**

Description:..... Set of Allen wrenches Descr

14 BSK-TLST-999-01

Tool number:..... BSK-TLST-999-01
Manufacturer code:..... KZ666
Description for part:..... Test stand Descr
Short name:..... Test stand

Technical data

Quantity:..... 1

Alternatives:

- **Tool**

Description:..... Test stand Descr

15 HSP-D001

Tool number:..... HSP-D001
Manufacturer code:..... HS111
Description for part:..... Extra firm hold hairspray Descr
Short name:..... Extra firm hold hairspray

Technical data

Quantity:..... 1

Alternatives:

- **Tool**

Description:..... Extra firm hold hairspray Descr

16 LL-003

Tool number:..... LL-003
Manufacturer code:..... KZ222
Description for part:..... Chain cleaning fluid Descr
Short name:..... Chain cleaning fluid

Technical data

Quantity:..... As required

Alternatives:

- **Tool**

Description:..... Chain cleaning fluid Descr

17 PPP-001

Tool number:..... PPP-001
Manufacturer code:..... KK999
Description for part:..... Floor covering Descr
Short name:..... Floor covering

Technical data

Quantity:..... 1

Alternatives:

- **Tool**
Description:..... Floor covering Descr

18 Stand-001

Tool number:..... Stand-001
Manufacturer code:..... KZ666
Description for part:..... Work stand Descr
Short name:..... Work stand

Technical data

Quantity:..... 1

Alternatives:

- **Tool**
Description:..... Work stand Descr

Intentionally left blank.

Wiring data

Field description

This is a "wrngflds" Data Module

**The Docuneering S1000D XSL-FO Stylesheets
do not yet support the "wrngflds" Data Module**

Intentionally left blank.

Electrical system

Description of how it is made and its function

Table of contents

	Page
Description of how it is made and its function	1
References	1
Description	1
1 Lighting system	1

List of tables

1 References	1
-------------------------	---

List of figures

1 Lighting system	2
------------------------------	---

References

Table 1 References

Data module / Technical publication	Title
None	

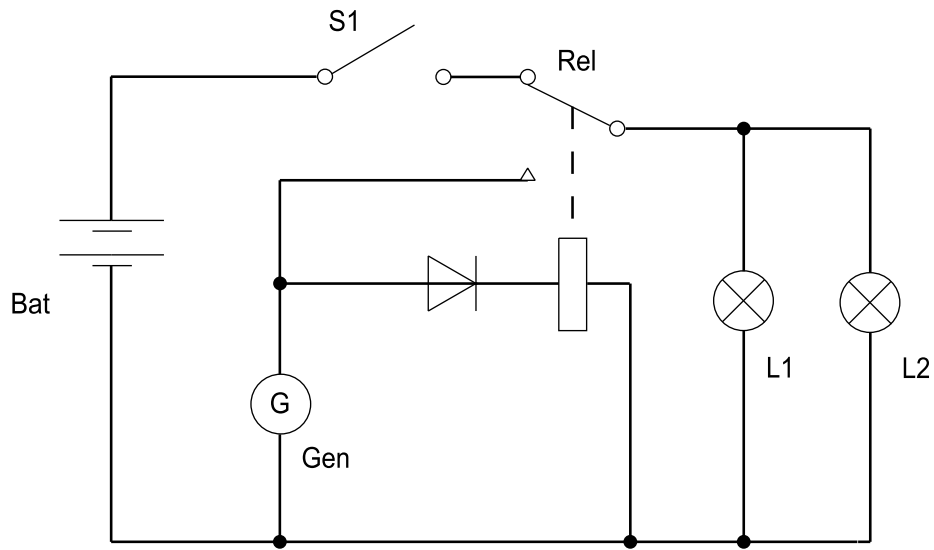
Description

1 Lighting system

The illustration that follows (see [Fig 1](#)) shows the lighting system of the bicycle.

The lighting system is equipped with special high beam lighting. Do not use special high beam lighting when bicycling on roads during winter months.

The lighting system is faulty and will be replaced by 2013-03-15.



ICN-C0419-S1000D0392-001-01

Fig 1 Lighting system

Wiring

Equipment lists

Table of contents

	Page
Equipment lists	1
References	1
Wiring data	1

List of tables

1	References	1
---	------------------	---

References

Table 1 References

Data module / Technical publication	Title
None	

Wiring data

Ident	CLC	Qty	Information	Installation	Applicability
Functional item L1 PN: Front light	16		RPC: CAGE: U8025 Name: UK MoD	• Locations: - Handle bars	Mountain bicycle and (Mountain storm Mk1 or Brook trekker Mk9)
Functional item L2 PN: Rear light	16		RPC: CAGE: U8025 Name: UK MoD	• Locations: - Seat post	Mountain bicycle and (Mountain storm Mk1 or Brook trekker Mk9)
Functional item Batt PN: Battery	16		RPC: CAGE: U8025 Name: UK MoD	• Locations: - Frame NHA: FIN ELO-Box	Mountain bicycle and (Mountain storm Mk1 or Brook trekker Mk9)
Functional item Gen PN: Generator	16		RPC: CAGE: U8025 Name: UK MoD	• Locations: - Steering tube	Mountain bicycle and (Mountain storm Mk1 or Brook trekker Mk9)
Functional item Rel PN: Relay	10		RPC: CAGE: U8025 Name: UK MoD	• Locations: - Frame NHA: FIN ELO-Box	Mountain bicycle and (Mountain storm Mk1 or Brook trekker Mk9)

Produced by Docuneering Ltd

Applicable to: Mountain bicycle and (Mountain storm Mk1 or Brook trekker Mk9)

S1000DLIGHTING-AAA-D00-00-00-00AA-056A-A

(Continued)

Ident	CLC	Qty	Information	Installation	Applicability
Functional item VV1 PN: Distribution module	07		Transverse link: - Contacts: - 1 + - 2 + - 3 + - 4 + - Contacts: - 1 - - 2 - - 3 - - 4 - RPC: CAGE: U8025 Name: UK MoD	<ul style="list-style-type: none"> Locations: - Frame NHA: FIN ELO-Box 	Mountain bicycle and (Mountain storm Mk1 or Brook trekker Mk9)
Functional item S1 PN: Switch	15		RPC: CAGE: U8025 Name: UK MoD	<ul style="list-style-type: none"> Locations: - Handle bars NHA: FIN ELO-Box 	Mountain bicycle and (Mountain storm Mk1 or Brook trekker Mk9)
Functional item C_Batt PN: Connector	3		RPC: CAGE: U8025 Name: UK MoD	<ul style="list-style-type: none"> Locations: - Frame Sibling plug id: FIN C_Bike NHA: FIN ELO-Box 	Mountain bicycle and (Mountain storm Mk1 or Brook trekker Mk9)
Functional item C_Bike PN: Receptacle	3		RPC: CAGE: U8025 Name: UK MoD	<ul style="list-style-type: none"> Locations: - Frame Sibling plug id: FIN C_Batt NHA: FIN ELO-Box 	Mountain bicycle and (Mountain storm Mk1 or Brook trekker Mk9)
Functional item Diode PN: Diode	18	2	RPC: CAGE: U8025 Name: UK MoD	<ul style="list-style-type: none"> Install id: d1 Locations: - Frame NHA: FIN ELO-Box Pos. on NHA: Mount position: LH Install id: d2 Locations: - Frame NHA: FIN ELO-Box Pos. on NHA: Mount position: RH 	Mountain bicycle and (Mountain storm Mk1 or Brook trekker Mk9)
Functional item Sensor PN: Speed sensor	16		RPC: CAGE: U8025 Name: UK MoD	<ul style="list-style-type: none"> Locations: - Steering tube 	Mountain bicycle and (Mountain storm Mk1 or Brook trekker Mk9)
Functional item T01 PN: Tachometer	16		RPC: CAGE: U8025 Name: UK MoD	<ul style="list-style-type: none"> Locations: - Handle bars 	Mountain bicycle and (Mountain storm Mk1 or Brook trekker Mk9)

Produced by Docuneering Ltd

Applicable to: Mountain bicycle and (Mountain storm Mk1 or Brook trekker Mk9)

S1000DLIGHTING-AAA-D00-00-00-00AA-056A-A

(Continued)

Ident	CLC	Qty	Information	Installation	Applicability
Functional item ELO-Box PN: Electronic Box 01	13		Max mount. pos.: 5 RPC: CAGE: U8025 Name: UK MoD	• Locations: - Frame	Mountain bicycle and (Mountain storm Mk1 or Brook trekker Mk9)
Functional item FT1 PN: GT-002-WD	11		RPC: CAGE: U8025 Name: UK MoD	• Locations: - Frame NHA: FIN ELO-Box Pos. on NHA: Mount position: P1	Mountain bicycle and (Mountain storm Mk1 or Brook trekker Mk9)
Functional item FT2 PN: GT-004-WD	11		RPC: CAGE: U8025 Name: UK MoD	• Locations: - Frame NHA: FIN ELO-Box Pos. on NHA: Mount position: P2	Mountain bicycle and (Mountain storm Mk1 or Brook trekker Mk9)
Functional item FT3 PN: GT-004-WD	11		RPC: CAGE: U8025 Name: UK MoD	• Locations: - Frame NHA: FIN ELO-Box Pos. on NHA: Mount position: P3	Mountain bicycle and (Mountain storm Mk1 or Brook trekker Mk9)

Intentionally left blank.

Wiring

Wire list

Table of contents

	Page
Wire list	1
References	1
Wiring data	1

List of tables

1	References	1
---	------------------	---

References

Table 1 References

Data module / Technical publication	Title
None	

Wiring data

Ident	Connection		Information	Applicability
	From	To		
FL1AA State: Active	FIN: L1 Contact: + Wire conn. code: Electrical potential: Contact order: 1 NA code: 01	FIN: VV1 Contact: 1 + PN: P2201-P Wire conn. code: Electrical potential: TM grouping: 1 Block grouping: 1 Shunt grouping: 1 Contact order: 1 NA code: 03	Wire code: Wire type: AP Wire guages: - 010 (proj) PN: W2201-K Harn. id: Lamp1 Wire seq. no.: 1 Circuit: 234 Section: 567 Twists: - Lamp1 Twisting type: 1 Length: 1000 Wire color: red U8025 Routing: Feed-throughs: FIN: FT3 Hole id: 1	Mountain bicycle and (Mountain storm Mk1 or Brook trekker Mk9)

Produced by Docuneering Ltd

(Continued)

Ident	Connection		Information	Applicability
	From	To		
FL2AA State: Active	FIN: L1 Contact: - Wire conn. code: Electrical potential: Contact order: 2 NA code: 01	FIN: VV1 Contact: 1 - Wire conn. code: Electrical potential: TM grouping: 1 Block grouping: 1 Shunt grouping: 2 Contact order: 5 NA code: 03	Wire code: Wire type: AP Wire gauges: - 010 (proj) PN: 23-4567 Harn. id: Lamp1 Wire seq. no.: 2 Twists: - Lamp1 Twisting type: 1 Length: 1000 Wire color: blue U8025 Routing: Feed-throughs: FIN: FT3 Hole id: 2	Mountain bicycle and (Mountain storm Mk1 or Brook trekker Mk9)
NC1VI State: Not active	FIN: VV1 Contact: 4 + Wire conn. code: Electrical potential: TM grouping: 1 Block grouping: 1 Shunt grouping: 1 Contact order: 4 NA code: 03			Mountain bicycle and (Mountain storm Mk1 or Brook trekker Mk9)
RL1AA State: Active	FIN: L2 Contact: + Wire conn. code: Electrical potential: Contact order: 1 NA code: 01	FIN: VV1 Contact: 2 + PN: P2201-P Wire conn. code: Electrical potential: TM grouping: 1 Block grouping: 1 Shunt grouping: 1 Contact order: 2 NA code: 03	Wire code: Wire type: AP Wire gauges: - 010 (proj) Harn. id: Lamp2 Wire seq. no.: 1 Circuit: 134 Section: 467 Twists: - Lamp2 Twisting type: 1 Length: 1500 Wire color: red U8025 Routing: Feed-throughs: FIN: FT3 Hole id: 3	Mountain bicycle and (Mountain storm Mk1 or Brook trekker Mk9)

Produced by Docuneering Ltd

Applicable to: Mountain bicycle
and (Mountain storm Mk1 or
Brook trekker Mk9)

S1000DLIGHTING-AAA-D00-00-00-00AA-057A-A

(Continued)

Ident	Connection		Information	Applicability
	From	To		
RL2AA State: Active	FIN: L2 Contact: - Wire conn. code: Electrical potential: Contact order: 2 NA code: 01	FIN: VV1 Contact: 2 - PN: P2201-M Wire conn. code: Electrical potential: TM grouping: 1 Block grouping: 1 Shunt grouping: 2 Contact order: 6 NA code: 03	Wire code: Wire type: AP Wire guages: - 010 (proj) Harn. id: Lamp2 Wire seq. no.: 2 Twists: - Lamp2 Twisting type: 1 Length: 1500 Wire color: blue U8025 Routing: Feed-throughs: FIN: FT3 Hole id: 4	Mountain bicycle and (Mountain storm Mk1 or Brook trekker Mk9)
GE2AA State: Active	FIN: Gen Contact: GND Wire conn. code: Electrical potential: Contact order: 2 Potential conn. order: 1 NA code: 01 Group code: G1-	FIN: VV1 Contact: 3 - PN: P2201-M Wire conn. code: Electrical potential: TM grouping: 1 Block grouping: 1 Shunt grouping: 2 Contact order: 7 NA code: 03	Wire code: Wire type: AP Wire guages: - 010 (proj) Wire seq. no.: 2 Length: 500 U8025 Routing: Feed-throughs: FIN: FT2 Hole id: 2	Mountain bicycle and (Mountain storm Mk1 or Brook trekker Mk9)
BT2AA Context: PN- AC-12561 MFG: F0001 Origin: Manufacturer State: Active	FIN: Batt Contact: - Install direct: A Wire conn. code: Electrical potential: Contact order: 2 NA code: 01	FIN: C_Batt Contact: - Install direct: B Wire conn. code: Electrical potential: Contact order: 2 NA code: 02	Wire code: Wire type: AP Wire guages: - 010 (proj) Harn. id: Batt_01 Context: PN- AC-12561 MFG: F0001 Origin: Manufacturer Wire seq. no.: 2 Twists: - Batt Twisting type: 1 Length: 400 [critical] Wire color: black U8025 NHA: FIN ELO-Box	Mountain bicycle and (Mountain storm Mk1 or Brook trekker Mk9)

Produced by Docuneering Ltd

Applicable to: Mountain bicycle
and (Mountain storm Mk1 or
Brook trekker Mk9)

S1000DLIGHTING-AAA-D00-00-00-00AA-057A-A

(Continued)

Ident	Connection		Information	Applicability
	From	To		
GE1AA State: Active	FIN: Gen Wire conn. code: Electrical potential: Contact order: 1 Potential conn. order: 1 NA code: 01 Group code: G1+	FIN: Rel Contact: 2 Function: Generator mode Wire conn. code: Electrical potential: Block grouping: 2 Shunt grouping: 2 Contact order: 102 NA code: 04	Wire code: Wire type: AP Wire gauges: - 010 (proj) Wire seq. no.: 1 Length: 500 U8025 Routing: Feed-throughs: FIN: FT2 Hole id: 1	Mountain bicycle and (Mountain storm Mk1 or Brook trekker Mk9)
GE3AA State: Active	FIN: Gen Wire conn. code: Electrical potential: Contact order: 1 Potential conn. order: 2 NA code: 01 Group code: G2+	FIN: Diode Contact: A Wire conn. code: Electrical potential: Block grouping: 1 Shunt grouping: 1 Contact order: 1 NA code: 04	Wire code: Wire type: AP Wire gauges: - 010 (proj) Wire seq. no.: 3 Length: 500 U8025 Routing: Feed-throughs: FIN: FT2 Hole id: 3	Mountain bicycle and (Mountain storm Mk1 or Brook trekker Mk9)
GE3AB State: Active	FIN: Gen Wire conn. code: Electrical potential: Contact order: 1 Potential conn. order: 3 NA code: 01 Group code: G2+	FIN: Diode Contact: A Wire conn. code: Electrical potential: Block grouping: 1 Shunt grouping: 1 Contact order: 1 NA code: 04	Wire code: Wire type: AP Wire gauges: - 010 (proj) Wire seq. no.: 3 Length: 500 U8025 Routing: Feed-throughs: FIN: FT2 Hole id: 4	Mountain bicycle and (Mountain storm Mk1 or Brook trekker Mk9)
BT1AA Context: PN- AC-12561 MFG: F0001 Origin: Manufacturer State: Active	FIN: Batt Contact: + Install direct: A Wire conn. code: Electrical potential: Contact order: 1 NA code: 01	FIN: C_Batt Contact: + Install direct: B Wire conn. code: Electrical potential: Contact order: 1 NA code: 02	Wire code: Wire type: AP Wire gauges: - 010 (proj) Harn. id: Batt_01 Context: PN- AC-12561 MFG: F0001 Origin: Manufacturer Wire seq. no.: 1 Twists: - Batt Twisting type: 1	Mountain bicycle and (Mountain storm Mk1 or Brook trekker Mk9)

Produced by Docuneering Ltd

Applicable to: Mountain bicycle
and (Mountain storm Mk1 or
Brook trekker Mk9)

S1000DLIGHTING-AAA-D00-00-00-00AA-057A-A

(Continued)

Ident	Connection		Information	Applicability
	From	To		
			Length: 400 [critical] Wire color: red U8025 NHA: FIN ELO-Box	
BA1AA State: Active	FIN: C_Bike Contact: + Wire conn. code: Electrical potential: Contact order: 1 NA code: 02	FIN: S1 Contact: Batt Wire conn. code: Electrical potential: Block grouping: 1 Shunt grouping: 1 Contact order: 1 NA code: 04	Wire code: Wire type: AP Wire guages: - 010 (proj) Wire seq. no.: 1 Length: 1200 U8025 Routing: Feed-throughs: FIN: FT1 Hole id: 1 NHA: FIN ELO-Box	Mountain bicycle and (Mountain storm Mk1 or Brook trekker Mk9)
BA1AB State: Active	FIN: S1 Contact: ON Wire conn. code: Electrical potential: Block grouping: 1 Shunt grouping: 1 Contact order: 102 NA code: 04	FIN: Rel Contact: 3 Function: Battery mode Wire conn. code: Electrical potential: Block grouping: 2 Shunt grouping: 1 Contact order: 103 NA code: 04	Wire code: Wire type: AP Wire guages: - 010 (proj) Wire seq. no.: 1 Length: 1000 U8025 Routing: Feed-throughs: FIN: FT1 Hole id: 2 NHA: FIN ELO-Box	Mountain bicycle and (Mountain storm Mk1 or Brook trekker Mk9)
BA2AA State: Active	FIN: C_Bike Contact: - Wire conn. code: Electrical potential: Contact order: 2 NA code: 02	FIN: VV1 Contact: 4 - PN: P2201-M Wire conn. code: Electrical potential: TM grouping: 1 Block grouping: 1 Shunt grouping: 2 Contact order: 8 NA code: 03	Wire code: Wire type: AP Wire guages: - 010 (proj) Wire seq. no.: 2 Length: 200 U8025 NHA: FIN ELO-Box	Mountain bicycle and (Mountain storm Mk1 or Brook trekker Mk9)
LL1AA State: Active	FIN: Rel Contact: 1 Wire conn. code: Electrical potential: Block grouping: 2 Shunt grouping: 1 Contact order: 1 NA code: 04	FIN: VV1 Contact: 3 + PN: P2201-P Wire conn. code: Electrical potential: TM grouping: 1 Block grouping: 1 Shunt grouping: 1	Wire code: Wire type: AP Wire guages: - 010 (proj) Wire seq. no.: 1 Length: 500 U8025 NHA: FIN ELO-Box	Mountain bicycle and (Mountain storm Mk1 or Brook trekker Mk9)

Produced by Docuneering Ltd

Applicable to: Mountain bicycle
and (Mountain storm Mk1 or
Brook trekker Mk9)

S1000DLIGHTING-AAA-D00-00-00-00AA-057A-A

(Continued)

Ident	Connection		Information	Applicability
	From	To		
			Contact order: 3 NA code: 03	
GE4AA State: Active	FIN: Gen Contact: GND Wire conn. code: Electrical potential: Contact order: 2 Potential conn. order: 2 NA code: 01 Group code: G1-	FIN: Rel Wire conn. code: Electrical potential: Block grouping: 1 Shunt grouping: 1 Contact order: 1 NA code: 04	Wire code: Wire type: AP Wire guages: - 010 (proj) Wire seq. no.: 4 Length: 500 U8025 Routing: Feed-throughs: FIN: FT2 Hole id: 4	Mountain bicycle and (Mountain storm Mk1 or Brook trekker Mk9)
GE5AA State: Logconn	FIN: Diode Contact: K Wire conn. code: Electrical potential: Block grouping: 1 Shunt grouping: 1 Contact order: 2 NA code: 04	FIN: Rel Wire conn. code: Electrical potential: Block grouping: 1 Shunt grouping: 1 Contact order: 2 Potential conn. order: 1 NA code: 04 Group code: R1		Mountain bicycle and (Mountain storm Mk1 or Brook trekker Mk9)
GE5AB State: Logconn	FIN: Diode Contact: K Wire conn. code: Electrical potential: Block grouping: 1 Shunt grouping: 1 Contact order: 2 NA code: 04	FIN: Rel Wire conn. code: Electrical potential: Block grouping: 1 Shunt grouping: 1 Contact order: 2 Potential conn. order: 2 NA code: 04 Group code: R1		Mountain bicycle and (Mountain storm Mk1 or Brook trekker Mk9)
T001 State: Active	FIN: T01 Contact: 1 Wire conn. code: Screen order: 2 Electrical potential: Contact order: 1 NA code: 01 Screens: - Type: 01, Lvl: 00, Sty: 00	FIN: Sensor Contact: A Wire conn. code: Screen order: 2 Electrical potential: Contact order: 1 NA code: 01 Screens: - Type: 01, Lvl: 00, Sty: 00	Wire code: Wire type: XY Wire guages: - 010 (proj) Harn. id: Tacho Wire seq. no.: 001 Screens: - SCT1 Twists: - Tacho Twisting type: 1 Length: 1200 Wire color: yellow	Mountain bicycle and (Mountain storm Mk1 or Brook trekker Mk9)

Produced by Docuneering Ltd

Applicable to: Mountain bicycle
and (Mountain storm Mk1 or
Brook trekker Mk9)

S1000DLIGHTING-AAA-D00-00-00-00AA-057A-A

(Continued)

Ident	Connection		Information	Applicability
	From	To		
T002 State: Active	FIN: T01 Contact: 2 Wire conn. code: Screen order: 3 Electrical potential: Contact order: 2 NA code: 01 Screens: - Type: 01, Lvl: 00, Sty: 00	FIN: Sensor Contact: B Wire conn. code: Screen order: 3 Electrical potential: Contact order: 2 NA code: 01 Screens: - Type: 01, Lvl: 00, Sty: 00	U8025 Wire code: Wire type: XY Wire gauges: - 010 (proj) Harn. id: Tacho Wire seq. no.: 002 Screens: - SCT1 Twists: - Tacho Twisting type: 1 Length: 1200 Wire color: green U8025	Mountain bicycle and (Mountain storm Mk1 or Brook trekker Mk9)
ND1 State: Logconn	FIN: T01 Wire conn. code: Screen order: 1 Spec. conn.: 100 Electrical potential: Contact order: 0 NA code: 01 Screens: - Type: 03, Lvl: 01, Sty: 01	FIN: T01 Wire conn. code: Screen order: 1 Electrical potential: Contact order: 0 NA code: 01 Screens: - SCT1 Type: 03, Lvl: 01, Sty: 01		Mountain bicycle and (Mountain storm Mk1 or Brook trekker Mk9)
ND2 State: Logconn	FIN: Sensor Wire conn. code: Screen order: 1 Spec. conn.: 100 Electrical potential: Contact order: 0 NA code: 01 Screens: - Type: 03, Lvl: 01, Sty: 01	FIN: Sensor Wire conn. code: Screen order: 1 Electrical potential: Contact order: 0 NA code: 01 Screens: - SCT1 Type: 03, Lvl: 01, Sty: 01		Mountain bicycle and (Mountain storm Mk1 or Brook trekker Mk9)

Intentionally left blank.

Wiring

Loom list

Table of contents

	Page
Loom list	1
References	1
Wiring data	1

List of tables

1	References	1
---	------------------	---

References

Table 1 References

Data module / Technical publication	Title
None	

Wiring data

Ident	Information	Routing	RPC	Applicability
Batt_01	Battery_123		CAGE:	Mountain bicycle and
Context: PN-AC-12561	Harn. var.: 123		U8025	(Mountain storm Mk1
MFG: F0001	Harn. iss.: A		Name: UK	or Brook trekker Mk9)
Origin: Manufacturer	Harn. name: Battery harness		MoD	
	EMC: LS1			
	Max temp.: 500 degF			
	High vibr. env.: Yes			
	Hydr. env.: Yes			
	Sleeves:			
	- PN: SPN1234			
	Material: Teflon			
Tacho	Tachometer_101		CAGE:	Mountain bicycle and
	Harn. var.: 101		U8025	(Mountain storm Mk1
	Harn. iss.: A		Name: UK	or Brook trekker Mk9)
	Harn. name:		MoD	
	Tachometer harness			
	EMC: LS2			
	Min temp.: -10 degC			
	Max temp.: 60 degC			
	High vibr. env.: Yes			
	Sleeves:			

Produced by Docuneering Ltd

Applicable to: Mountain bicycle and (Mountain storm Mk1 or Brook trekker Mk9)

S1000DLIGHTING-AAA-D00-00-00-00AA-058A-A

(Continued)

Ident	Information	Routing	RPC	Applicability
Lamp1	- Material: Silicon Front light_501 Harn. var.: 501 Harn. iss.: A Harn. name: Front light harness EMC: LS3 Min temp.: -10 degC Sleeves: - PN: SPN1234 - PN: SPN4321		CAGE: U8025 Name: UK MoD	Mountain bicycle and (Mountain storm Mk1 or Brook trekker Mk9)
Lamp2	Rear light_503 Harn. var.: 503 Harn. iss.: A Harn. name: Rear light harness EMC: LS3 Hydr. env.: Yes		CAGE: U8025 Name: UK MoD	Mountain bicycle and (Mountain storm Mk1 or Brook trekker Mk9)

Lighting

Functional and/or physical areas repository

Table of contents

	Page
Functional and/or physical areas repository	1
References	1
Functional and/or physical areas repository	1

List of tables

1	References	1
---	------------------	---

References

Table 1 References

Data module / Technical publication	Title
None	

Functional and/or physical areas repository

- 1 AAA-D00**

Functional and/or physical area:.....AAA-D00
 Short name:..... Mountain bicycle
 References:.....[AAA-D00-0](#)
- 2 AAA-D00-0**

Functional and/or physical area:.....AAA-D00-0
 Short name:..... Mountain bicycle - General
 References:.....[AAA-D00-00](#)
- 3 AAA-D00-00**

Functional and/or physical area:.....AAA-D00-00
 Short name:..... Mountain bicycle - General
 References:.....[AAA-D00-00-00](#)

Produced by Docuneering Ltd

4 AAA-D00-00-00

Functional and/or physical area:.....AAA-D00-00-00
Short name:..... Mountain bicycle - General

5 AAA-D05

Functional and/or physical area:.....AAA-D05
Short name:..... Bicycle
References:.....[AAA-D05-0](#)
[AAA-D05-1](#)
[AAA-D05-2](#)
[AAA-D05-4](#)

6 AAA-D05-0

Functional and/or physical area:.....AAA-D05-0
Short name:..... Bicycle - General
References:.....[AAA-D05-00](#)

7 AAA-D05-00

Functional and/or physical area:.....AAA-D05-00
Short name:..... Bicycle - General
References:.....[AAA-D05-00-00](#)

8 AAA-D05-00-00

Functional and/or physical area:.....AAA-D05-00-00
Short name:..... Bicycle - General

9 AAA-D05-1

Functional and/or physical area:.....AAA-D05-1
Short name:..... TBD
References:.....[AAA-D05-10](#)

10 AAA-D05-10

Functional and/or physical area:.....AAA-D05-10
Short name:..... TBD - General
References:.....[AAA-D05-10-00](#)

11 AAA-D05-10-00

Functional and/or physical area:.....AAA-D05-10-00
Short name:..... TBD - General

12 AAA-D05-2

Functional and/or physical area:.....AAA-D05-2
Short name:..... TBD1
References:.....[AAA-D05-20](#)

13 AAA-D05-20

Functional and/or physical area:.....AAA-D05-20
Short name:..... TBD1 - General
References:.....[AAA-D05-20-00](#)

14 AAA-D05-20-00

Functional and/or physical area:.....AAA-D05-20-00
Short name:..... TBD1 - General

15 AAA-D05-4

Functional and/or physical area:.....AAA-D05-4
Short name:..... TBD2
References:.....[AAA-D05-40](#)

16 AAA-D05-40

Functional and/or physical area:.....AAA-D05-40
Short name:..... TBD2 - General
References:.....[AAA-D05-40-00](#)

17 AAA-D05-40-00

Functional and/or physical area:.....AAA-D05-40-00
Short name:..... TBD2 - General

25 AAA-DA0-10-10

Functional and/or physical area:.....AAA-DA0-10-10
Short name:..... Inner tube

26 AAA-DA0-10-20

Functional and/or physical area:.....AAA-DA0-10-20
Short name:..... Tire

27 AAA-DA0-2

Functional and/or physical area:.....AAA-DA0-2
Short name:..... Rear wheel
References:.....[AAA-DA0-20](#)

28 AAA-DA0-20

Functional and/or physical area:.....AAA-DA0-20
Short name:..... Rear wheel - General
References:.....[AAA-DA0-20-00](#)

29 AAA-DA0-20-00

Functional and/or physical area:.....AAA-DA0-20-00
Short name:..... Rear wheel - General

30 AAA-DA1

Functional and/or physical area:.....AAA-DA1
Short name:..... Brake system
References:.....[AAA-DA1-0](#)
[AAA-DA1-1](#)

31 AAA-DA1-0

Functional and/or physical area:.....AAA-DA1-0
Short name:..... Brake system - General
References:.....[AAA-DA1-00](#)

32 AAA-DA1-00

Functional and/or physical area:.....AAA-DA1-00
Short name:..... Brake system - General
References:.....[AAA-DA1-00-00](#)

-
- 33 AAA-DA1-00-00**
Functional and/or physical area:.....AAA-DA1-00-00
Short name:..... Brake system - General
- 34 AAA-DA1-1**
Functional and/or physical area:.....AAA-DA1-1
Short name:..... Brake pads
References:.....[AAA-DA1-10](#)
- 35 AAA-DA1-10**
Functional and/or physical area:.....AAA-DA1-10
Short name:..... Brake pads - General
References:.....[AAA-DA1-10-00](#)
- 36 AAA-DA1-10-00**
Functional and/or physical area:.....AAA-DA1-10-00
Short name:..... Brake pads - General
- 37 AAA-DA2**
Functional and/or physical area:.....AAA-DA2
Short name:..... Steering
References:.....[AAA-DA2-0](#)
[AAA-DA2-1](#)
[AAA-DA2-2](#)
[AAA-DA2-3](#)
- 38 AAA-DA2-0**
Functional and/or physical area:.....AAA-DA2-0
Short name:..... Steering - General
References:.....[AAA-DA2-00](#)
- 39 AAA-DA2-00**
Functional and/or physical area:.....AAA-DA2-00
Short name:..... Steering - General
References:.....[AAA-DA2-00-00](#)

40 AAA-DA2-00-00

Functional and/or physical area:.....AAA-DA2-00-00
Short name:..... Steering - General

41 AAA-DA2-1

Functional and/or physical area:.....AAA-DA2-1
Short name:..... Stem
References:.....[AAA-DA2-10](#)

42 AAA-DA2-10

Functional and/or physical area:.....AAA-DA2-10
Short name:..... Stem - General
References:.....[AAA-DA2-10-00](#)

43 AAA-DA2-10-00

Functional and/or physical area:.....AAA-DA2-10-00
Short name:..... Stem - General

44 AAA-DA2-2

Functional and/or physical area:.....AAA-DA2-2
Short name:..... Handlebar
References:.....[AAA-DA2-20](#)

45 AAA-DA2-20

Functional and/or physical area:.....AAA-DA2-20
Short name:..... Handlebar - General
References:.....[AAA-DA2-20-00](#)

46 AAA-DA2-20-00

Functional and/or physical area:.....AAA-DA2-20-00
Short name:..... Handlebar - General

47 AAA-DA2-3

Functional and/or physical area:.....AAA-DA2-3
Short name:..... Headset
References:.....[AAA-DA2-30](#)

48 AAA-DA2-30

Functional and/or physical area:.....AAA-DA2-30
Short name:..... Headset - General
References:.....[AAA-DA2-30-00](#)

49 AAA-DA2-30-00

Functional and/or physical area:.....AAA-DA2-30-00
Short name:..... Headset - General

50 AAA-DA3

Functional and/or physical area:.....AAA-DA3
Short name:..... Frame
References:.....[AAA-DA3-0](#)
[AAA-DA3-1](#)

51 AAA-DA3-0

Functional and/or physical area:.....AAA-DA3-0
Short name:..... Frame - General
References:.....[AAA-DA3-00](#)

52 AAA-DA3-00

Functional and/or physical area:.....AAA-DA3-00
Short name:..... Frame - General
References:.....[AAA-DA3-00-00](#)

53 AAA-DA3-00-00

Functional and/or physical area:.....AAA-DA3-00-00
Short name:..... Frame - General

54 AAA-DA3-1

Functional and/or physical area:.....AAA-DA3-1
Short name:..... Horn
References:.....[AAA-DA3-10](#)

55 AAA-DA3-10

Functional and/or physical area:.....AAA-DA3-10
Short name:..... Horn - General
References:.....[AAA-DA3-10-00](#)

56 AAA-DA3-10-00

Functional and/or physical area:.....AAA-DA3-10-00
Short name:..... Horn - General

57 AAA-DA4

Functional and/or physical area:.....AAA-DA4
Short name:..... Drivetrain
References:.....[AAA-DA4-0](#)
[AAA-DA4-1](#)

58 AAA-DA4-0

Functional and/or physical area:.....AAA-DA4-0
Short name:..... Drivetrain - General
References:.....[AAA-DA4-00](#)

59 AAA-DA4-00

Functional and/or physical area:.....AAA-DA4-00
Short name:..... Drivetrain - General
References:.....[AAA-DA4-00-00](#)

60 AAA-DA4-00-00

Functional and/or physical area:.....AAA-DA4-00-00
Short name:..... Drivetrain - General

61 AAA-DA4-1

Functional and/or physical area:.....AAA-DA4-1
Short name:..... Chain
References:.....[AAA-DA4-10](#)

62 AAA-DA4-10

Functional and/or physical area:.....AAA-DA4-10
Short name:..... Chain - General
References:..... [AAA-DA4-10-00](#)

63 AAA-DA4-10-00

Functional and/or physical area:.....AAA-DA4-10-00
Short name:..... Chain - General

64 AAA-DA5

Functional and/or physical area:.....AAA-DA5
Short name:..... Gears
References:..... [AAA-DA5-0](#)
[AAA-DA5-1](#)

65 AAA-DA5-0

Functional and/or physical area:.....AAA-DA5-0
Short name:..... Gears - General
References:..... [AAA-DA5-00](#)

66 AAA-DA5-00

Functional and/or physical area:.....AAA-DA5-00
Short name:..... Gears - General
References:..... [AAA-DA5-00-00](#)

67 AAA-DA5-00-00

Functional and/or physical area:.....AAA-DA5-00-00
Short name:..... Gears - General

68 AAA-DA5-1

Functional and/or physical area:.....AAA-DA5-1
Short name:..... Mechs
References:..... [AAA-DA5-10](#)

69 AAA-DA5-10

Functional and/or physical area:.....AAA-DA5-10
Short name:..... Mechs - General
References:.....[AAA-DA5-10-00](#)

70 AAA-DA5-10-00

Functional and/or physical area:.....AAA-DA5-10-00
Short name:..... Mechs - General

71 AAA-DA5-2

Functional and/or physical area:.....AAA-DA5-2
Short name:..... Hubs
References:.....[AAA-DA5-20](#)

72 AAA-DA5-20

Functional and/or physical area:.....AAA-DA5-20
Short name:..... Hubs - General
References:.....[AAA-DA5-20-00](#)

73 AAA-DA5-20-00

Functional and/or physical area:.....AAA-DA5-20-00
Short name:..... Hubs - General

74 AAA-DA5-3

Functional and/or physical area:.....AAA-DA5-3
Short name:..... Shifters
References:.....[AAA-DA5-30](#)

75 AAA-DA5-30

Functional and/or physical area:.....AAA-DA5-30
Short name:..... Shifters - General
References:.....[AAA-DA5-30-00](#)

76 AAA-DA5-30-00

Functional and/or physical area:.....AAA-DA5-30-00
Short name:..... Shifters - General

Intentionally left blank.

Lighting

Applicability common information repository

Table of contents

	Page
Applicability common information repository	1
References	1
Applicability annotations repository	1

List of tables

1	References	1
---	------------------	---

References

Table 1 References

Data module / Technical publication	Title
None	

Applicability annotations repository

- 1 app-00000000AA022A-0000**

Applicability identifier:..... app-00000000AA022A-0000

Display text:..... Mountain bicycle and (Mountain storm Mk1 or Brook trekker Mk9)
- 2 app-00000000AA029A-0000**

Applicability identifier:..... app-00000000AA029A-0000

Display text:..... Mountain bicycle and (Mountain storm Mk1 or Brook trekker Mk9)
- 3 app-00000000AA040A-0000**

Applicability identifier:..... app-00000000AA040A-0000

Display text:..... Mountain bicycle and (Mountain storm Mk1 or Brook trekker Mk9)

4 app-00000000AA056A-0000

Applicability identifier:..... app-00000000AA056A-0000
Display text:..... Mountain bicycle and (Mountain storm Mk1 or Brook trekker Mk9)

5 app-00000000AA056A-0001

Applicability identifier:..... app-00000000AA056A-0001
Display text:..... Mountain bicycle and (Mountain storm Mk1 or Brook trekker Mk9)

6 app-00000000AA057A-0000

Applicability identifier:..... app-00000000AA057A-0000
Display text:..... Mountain bicycle and (Mountain storm Mk1 or Brook trekker Mk9)

7 app-00000000AA057A-0001

Applicability identifier:..... app-00000000AA057A-0001
Display text:..... Mountain bicycle and (Mountain storm Mk1 or Brook trekker Mk9)

8 app-00000000AA058A-0000

Applicability identifier:..... app-00000000AA058A-0000
Display text:..... Mountain bicycle and (Mountain storm Mk1 or Brook trekker Mk9)

9 app-00000000AA058A-0001

Applicability identifier:..... app-00000000AA058A-0001
Display text:..... Mountain bicycle and (Mountain storm Mk1 or Brook trekker Mk9)

10 app-00000000AA341A-0000

Applicability identifier:..... app-00000000AA341A-0000
Display text:..... Mountain bicycle and (Mountain storm Mk1 or Brook trekker Mk9)

11 app-00000000AA413A-0000

Applicability identifier:..... app-00000000AA413A-0000
Display text:..... Mountain bicycle and (Mountain storm Mk1 or Brook trekker Mk9)

Produced by Docuneering Ltd

12 app-00000000AA700A-0000

Applicability identifier:..... app-00000000AA700A-0000
Display text:..... Mountain bicycle and (Mountain storm Mk1 or
Brook trekker Mk9)

13 app-00000000AA921A-0000

Applicability identifier:..... app-00000000AA921A-0000
Display text:..... Mountain bicycle and (Mountain storm Mk1 or
Brook trekker Mk9)

14 app-00000000AA941A-0000

Applicability identifier:..... app-00000000AA941A-0000
Display text:..... Mountain bicycle and (Mountain storm Mk1 or
Brook trekker Mk9)

Intentionally left blank.

Lights

Manual test

Table of contents

	Page
Manual test	1
References	1
Preliminary requirements	1
Procedure	2
Requirements after job completion	2

List of tables

1	References	1
2	Required conditions	1
3	Required persons	1
4	Support equipment	2
5	Consumables, materials and expendables	2
6	Spares	2
7	Required conditions	2

References

Table 1 References

Data module / Technical publication	Title
None	

Preliminary requirements

Required conditions

Table 2 Required conditions

Action / Condition	Data module / Technical publication
None	

Required persons

Table 3 Required persons

Persons	Category	Skill level	Trade/Trade code	Estimated time
Man A	Basic user		Operator	0,3 h

Support equipment

Table 4 Support equipment

Name	Manufacturer / Part No.	Quantity	Remark
None			

Consumables, materials and expendables

Table 5 Consumables, materials and expendables

Name	Manufacturer / Part No.	Quantity	Remark
None			

Spares

Table 6 Spares

Name	Manufacturer / Part No.	Quantity	Remark
None			

Safety conditions

None

Procedure

- 1 Set the lights to on.
- 2 Make sure that all the lights operate correctly.

Requirements after job completion

Required conditions

Table 7 Required conditions

Action / Condition	Data module / Technical publication
None	

Lights

Observed fault

Fault codes

Fault code	Fault description
NYCJD02	The lights are set to the dim position.

Table of contents

	Page
Observed fault	1
References	1
Fault reporting	1
Preliminary requirements	1

List of tables

1	References	1
2	Required conditions	1
3	Support equipment	2
4	Consumables, materials and expendables	2
5	Spares	2

References

Table 1 References

Data module / Technical publication	Title
S1000DLIGHTING-AAA-D00-00-00-01AA-012A-A	
S1000DLIGHTING-AAA-D00-00-00-01AA-012A-A	
S1000DLIGHTING-AAA-D00-00-00-02AA-012A-A	

Fault reporting

Preliminary requirements

Required conditions

Table 2 Required conditions

Action / Condition	Data module / Technical publication
None	

Applicable to: Mountain bicycle
and (Mountain storm Mk1 or
Brook trekker Mk9)

S1000DLIGHTING-AAA-D00-00-00-00AA-413A-A

Support equipment

Table 3 Support equipment

Name	Manufacturer / Part No.	Quantity	Remark
None			

Consumables, materials and expendables

Table 4 Consumables, materials and expendables

Name	Manufacturer / Part No.	Quantity	Remark
None			

Spares

Table 5 Spares

Name	Manufacturer / Part No.	Quantity	Remark
None			

Safety conditions



Fault code

NYCJD02

Fault description

The lights are set to the dim position.

1 During use or maintenance

1.1 Fault isolation test – LRU

Line replaceable unit

Nomenclature	Identification
Bulb	MFR: KZ111/PN: LiRUs-L1-11

Fault isolation test performance

Test type:..... Operation
 Test code:..... O-001

Test description

Name:..... Test the bulbs

Test parameters

from 1 to 1 Days

Test procedures:..... [S1000DLIGHTING-AAA-D00-00-00-00AA-341A-A](#)

Repair procedures:..... [S1000DLIGHTING-AAA-D00-00-00-00AA-921A-A](#)

Remarks

This is the data module you would visit when you notice that the lights do not operate correctly.

Intentionally left blank.

Lighting

Assemble, install and connect procedures

Table of contents

	Page
Assemble, install and connect procedures	1
References	1
Preliminary requirements	1
Procedure	2
Requirements after job completion	3

List of tables

1	References	1
2	Required conditions	1
3	Support equipment	2
4	Consumables, materials and expendables	2
5	Spares	2
6	Required conditions	3

References

Table 1 References

Data module / Technical publication	Title
S1000DLIGHTING-AAA-D00-00-00-00AA-921A-A	
S1000DLIGHTING-AAA-D00-00-00-00AA-941A-D	

Preliminary requirements

Production maintenance data

Zone	200
	300

Required conditions

Table 2 Required conditions

Action / Condition	Data module / Technical publication
Bike is stationary	

Applicable to: Mountain bicycle
and (Mountain storm Mk1 or
Brook trekker Mk9)

S1000DLIGHTING-AAA-D00-00-00-00AA-700A-A

Support equipment

Table 3 Support equipment

Name	Manufacturer / Part No.	Quantity	Remark
Specialist toolset	MFR: KZ666 /PN: BSK-TLST-001	1 EA	

Consumables, materials and expendables

Table 4 Consumables, materials and expendables

Name	Manufacturer / Part No.	Quantity	Remark
None			

Spares

Table 5 Spares

Name	Manufacturer / Part No.	Quantity	Remark
None			

Safety conditions

None

Procedure

- 1 Impacted zones:[Zone 200](#) and [Zone 300](#)
- 2 [Functional item S1 \(ELO-Box\)](#)
- 3 [Functional item ELO-Box](#)
- 4 Remove the lighting system from the packaging.
- 5 Make sure that the components in the package are the same as those on the [S1000DLIGHTING-AAA-D00-00-00AA-941A-D](#)
- 6 Install the light bulb to the front and rear lights (refer to [S1000DLIGHTING-AAA-D00-00-00-00AA-921A-A](#)).
- 7 Attach the front light fitting on the top of the handlebar.
 - 7.1 Apply the protective strip around the handlebar.
 - 7.2 Pull the clamp open and put it around the protective strip with the light connector at the top.
 - 7.3 Install the washer on the screw.

- 7.4 Use the correct screwdriver from the and tighten the screw into the hole at the bottom of the clamp. This safeties the clamp to the handlebar.
- 8 Attach the rear light fitting to the rear triangle of the bike frame.
- 8.1 Apply the protective strip around one of the two rear triangle up-tubes.
- 8.2 Pull the clamp open and put it around the protective strip. Make sure the light connector points rearwards.
- 8.3 Install the washer on the screw.
- 8.4 Use the correct screwdriver from the and tighten the screw into the hole at the bottom of the clamp. This safeties the clamp to the tube.
- 9 Attach the light with the white glass to the front connector.
- 10 Attach the light with the red glass to the rear connector.

Requirements after job completion

Required conditions

Table 6 Required conditions

Action / Condition	Data module / Technical publication
None	

Intentionally left blank.

Lighting

Remove and install a new item

Table of contents

	Page
Remove and install a new item	1
References	1
Preliminary requirements	1
Procedure	3
Requirements after job completion	4

List of tables

1	References	1
2	Required conditions	2
3	Support equipment	2
4	Consumables, materials and expendables	2
5	Spares	2
6	Required conditions	4

References

Table 1 References

Data module / Technical publication	Title
S1000DLIGHTING-AAA-D00-00-00-01AA-012A-A	
S1000DLIGHTING-AAA-D00-00-00-02AA-012A-A	
S1000DLIGHTING-AAA-D00-00-00-02AA-012A-A	

Preliminary requirements

Production maintenance data

Zone	F11	Half front
Work location	Work area:	on the handlebars
Zone	R11	Half rear
Work location	Work area:	under the saddle

Required conditions

Table 2 Required conditions

Action / Condition	Data module / Technical publication
Light set to off	
Light removed from bicycle	

Support equipment

Table 3 Support equipment

Name	Manufacturer / Part No.	Quantity	Remark
Special Toolset		1 EA	Material set
- Screwdriver		1 EA	

Consumables, materials and expendables

Table 4 Consumables, materials and expendables

Name	Manufacturer / Part No.	Quantity	Remark
None			

Spares

Table 5 Spares

Name	Manufacturer / Part No.	Quantity	Remark
Bulb	D00000001A010	2 EA	Discarded
Kit		1 EA	Material set
- Bulb	D00000001A020	1 EA	[1]
- Bulb	D00000001A021	1 EA	[1]
Glass	D00000001A022	1 EA	Referenced
Glass	D00000001A023	1 EA	Modified from
- Glass	D00000001A022	1 EA	
1	Make sure that the new bulb is not cracked.		

Safety conditions

WARNING

Make sure that the bulb is cool before you replace it.

CAUTION

Do not touch the glass of the bulb.

CAUTION

Make sure that the glass is clean before installing it on the light.

Procedure

- 1 From location [on the handlebars](#), remove the glass [Glass](#).
- 2 Remove the used front yellow bulb [Bulb](#).
- 3 Discard the used bulb [Bulb](#).
- 4 Remove the new white bulb [Bulb](#) from the kit [Kit](#).
- 5 Install the new white bulb [Bulb](#).
- 6 Install the glass [Glass](#) on the light.
- 7 Attach the light fitting on the handlebar.
- 8 Apply the protective strip around the handlebar.
- 9 Install the washer on the screw.
- 10 Use the special screwdriver [Screwdriver](#) from the toolset [Special Toolset](#) and tighten the screw into the hole at the bottom of the clamp. This safeties the clamp to the handlebar.
- 11 From location [under the saddle](#) Remove the glass [Glass](#).
- 12 Remove the used yellow rear bulb [Bulb](#).
- 13 Discard the used bulb [Bulb](#).

-
- 14 Remove the new white bulb [Bulb](#) from the kit [Kit](#).
 - 15 Install the new white [Bulb](#).
 - 16 Drill a 4mm hole in the middle of the glass [Glass](#) in order to allow venting and heat evacuation when the light is switched on.

The glass with the hole may be ordered independently with the reference [Glass](#).
 - 17 Install the glass with the hole [Glass](#) on the light.

Requirements after job completion

Required conditions

Table 6 Required conditions

Action / Condition	Data module / Technical publication
Switch the lights on if necessary.	

Lights

Warning repository

Table of contents

	Page
Warning repository	1
References	1
Warnings repository	1

List of tables

1	References	1
---	------------------	---

References

Table 1 References

Data module / Technical publication	Title
None	

Warnings repository

1 **warning-001**

Warning identifier:..... warning-001



2 **warning-002**

Warning identifier:..... warning-002



Intentionally left blank.

Light system

Illustrated Parts Data - IPD

Table of contents

	Page
Illustrated Parts Data - IPD	1
References	1

List of tables

1	References	1
---	------------------	---

List of figures

1	Light system	2
---	--------------------	---

References

Table 1 References

Data module / Technical publication	Title
None	

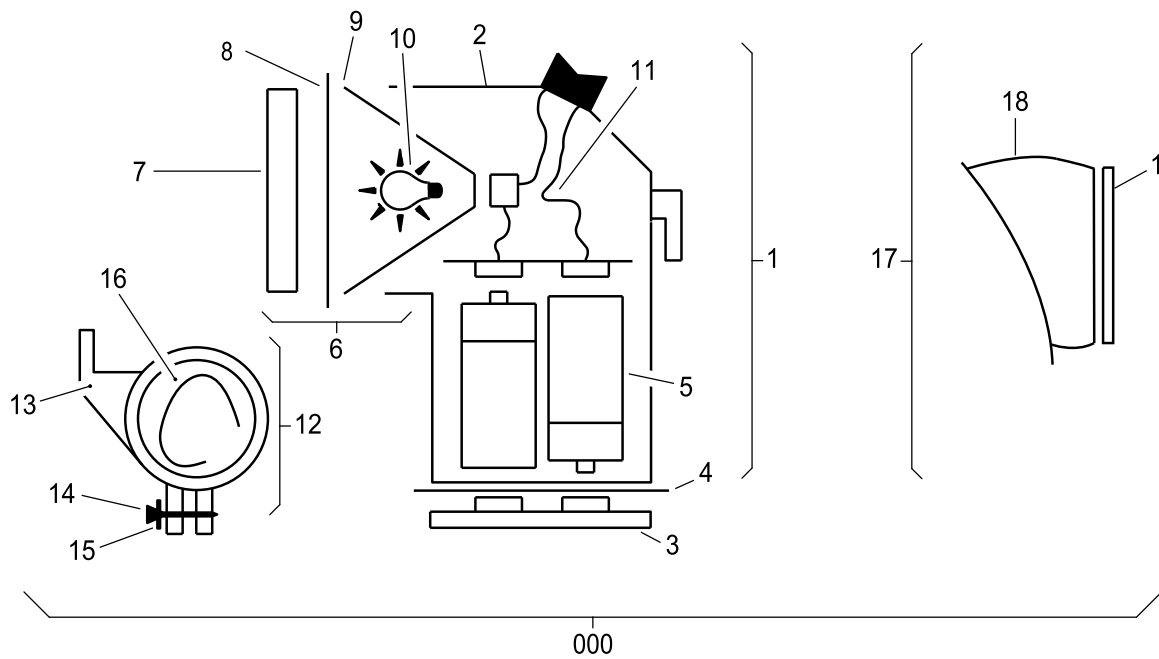


Fig 1 Light system

ICN-C0419-S1000D0362-001-01

Initial provisioning project information

IPP number:KZ7771111
 IPP subject:LIGHT SYSTEM
 IPP file identifier:s

Fig	Item	Units per assembly / Unit of issue	CAGE	Part No. NATO Stock No.	Description	* Usable on ICY code assy • MV/Effect
1						
	0	REF	KZ777	LRU1001		
	1	1	KZ777	LRU1010	• FRONT	
	2	1	KZ777	LRU1011	••	
	3	1	KZ777	LRU1012	•••	
	4	1	KZ777	LRU1013	••••	
	5	2	KZ777	LIRUS-L1-10	•••	
	6	1	KZ777	LRU1018	••	
	7	1	KZ777	LRU1019	•••	
	8	1	KZ777	LRU1022	••••	
	9	1	KZ777	LRU1020	•••	
	10	2	KZ777	LIRUS-L1-11	••••	
	11	1	KZ777	LRU1026	••	
	12	1	KZ777	LRU-B001	•	
	13	1	KZ777	LRU-B003	••	
	14	1	KZ777	LRU-B124	••	
	15	1	KZ777	LRU-B556	••	
	16	1	KZ777	LRU-B789	•••	
	17	1	KZ777	LRU2010	•	
	18	1	KZ777	LRU1011	•• REAR	
	19	1	KZ777	LRU2018	••	
	20	1	KZ777	LIRUS-B1-12F	•••	
	21	1	KZ777	LIRUS-B1-12R	•••	
	22	2	KZ777	LIRUS-G1-10	•••	
	23	1	KZ777	LIRUS-G1-10H	•••	

Produced by Docuneering Ltd

Intentionally left blank.

Lights

Caution repository

Table of contents

	Page
Caution repository	1
References	1
Cautions repository	1

List of tables

1	References	1
---	------------------	---

References

Table 1 References

Data module / Technical publication	Title
None	

Cautions repository

1 **caution-001**

Caution identifier:..... caution-001



2 **caution-002**

Caution identifier:..... caution-002



Intentionally left blank.