

---

## S1000D Sample Publication

### Mountain bicycle

Mountain storm Mk1

Brook trekker Mk9

## Mountain bicycle manual

### BIKE

#### S1000DBIKE-C3002-EPWG1-00

#### Issue No. 001, 2010-06-08

To be made available to all S1000D users.

Export of this publication to all countries that are the residence of organizations that are users of S1000D is permitted.

Users may destroy this publication in accordance with any local procedures.

There are no dissemination limitations that apply to this publication.

#### Responsible partner company

N4701

CORENA



Intentionally left blank.

## List of effective data modules

Document title	Data module code	Issue date Issue No.	No. of pages	Applicable to
Bicycle – Description of how it is made	S1000DBIKE-AAA-D00-00-00-00AA-041A-A	2008-08-01 001		
Bicycle – Description of function	S1000DBIKE-AAA-D00-00-00-00AA-042A-A	2008-08-01 001		
Bicycle – Description attributed to crew	S1000DBIKE-AAA-D00-00-00-00AA-043A-A	2008-08-01 001		
Mountain bicycle – Applicability cross-reference table catalog	S1000DBIKE-AAA-D00-00-00-00AA-0A3A-D	2010-02-18 001		
Bicycle – Pre-operation procedures (crew)	S1000DBIKE-AAA-D00-00-00-00AA-121A-A	2008-08-01 001		
Bicycle – Riding a bicycle	S1000DBIKE-AAA-D00-00-00-00AA-130A-A	2007-01-01 001		
Bicycle – Normal operation procedures (crew)	S1000DBIKE-AAA-D00-00-00-00AA-131A-A	2008-08-01 001		
Bicycle – Post-operation procedures (crew)	S1000DBIKE-AAA-D00-00-00-00AA-151A-A	2008-08-01 001		
Bicycle – Servicing: Attention	S1000DBIKE-AAA-D00-00-00-00AA-200A-T-T10B	2009-10-19 001		
Bicycle – Servicing: Prerequisite concept review	S1000DBIKE-AAA-D00-00-00-00AA-200A-T-T36D	2009-10-19 001		
Bicycle – Other procedures to clean	S1000DBIKE-AAA-D00-00-00-00AA-258A-A	2008-08-01 001		
Bicycle – Place on test stand	S1000DBIKE-AAA-D00-00-00-00AA-330A-A	2008-08-01 001		
Bicycle – Standard repair procedures	S1000DBIKE-AAA-D00-00-00-00AA-663A-A	2008-08-01 001		
Bicycle – Performance support	S1000DBIKE-AAA-D00-00-00-00AA-952A-T-H31A	2009-07-22 001		
Bicycle – Performance support	S1000DBIKE-AAA-D00-00-00-00AA-952A-T-H31A	2009-07-22 001		
Bicycle – Illustrated Parts Data - IPD	S1000DBIKE-AAA-D00-00-00-01AA-941A-D	2008-08-01 001		
Bicycle – Time limits	S1000DBIKE-AAA-D05-10-00-00AA-000A-A	2008-08-01 001		
Bicycle – Scheduled maintenance lists	S1000DBIKE-AAA-D05-20-00-00AA-000A-A	2008-08-01 001		

Applicable to: Mountain bicycle and (Mountain storm Mk1 or Brook trekker Mk9)

**S1000DBIKE-AAA-D00-00-00-00AA-002A-A**

(Continued)

Document title	Data module code	Issue date Issue No.	No. of pages	Applicable to
Bicycle – Scheduled maintenance checks	S1000DBIKE-AAA-D05-40-00-00AA-000A-A	2008-08-01 001		
Wheel – Description of how it is made	S1000DBIKE-AAA-DA0-00-00-00AA-041A-A	2008-08-01 001		
Wheels – Description of how it is made: Knowledge Check	S1000DBIKE-AAA-DA0-00-00-00AA-041A-T-T61E	2009-10-02 001		
Inner tube – Remove and install a new item	S1000DBIKE-AAA-DA0-10-10-00AA-921A-A	2008-08-01 001		
Tire – Fill with air	S1000DBIKE-AAA-DA0-10-20-00AA-215A-A	2008-08-01 001		
Tire – Check pressure	S1000DBIKE-AAA-DA0-10-20-00AA-362B-A	2008-08-01 001		
Front wheel – Fault reports and isolation procedures	S1000DBIKE-AAA-DA0-10-20-00AA-400A-A	2008-08-01 001		
Front wheel – Remove procedures: Interactive content - Procedure	S1000DBIKE-AAA-DA0-10-20-00AA-520A-T-T4JC	2009-10-02 001		
Tire – Remove and install a new item	S1000DBIKE-AAA-DA0-10-20-00AA-921A-A	2008-08-01 001		
Rear wheel – Detected fault	S1000DBIKE-AAA-DA0-20-00-00AA-412A-A	2008-08-01 001		
Rear wheel – Remove procedures	S1000DBIKE-AAA-DA0-20-00-00AA-520A-A	2008-08-01 001		
Brake system – Description of how it is made	S1000DBIKE-AAA-DA1-00-00-00AA-041A-A	2008-08-01 001		
Brake system – Manual test	S1000DBIKE-AAA-DA1-00-00-00AA-341A-A	2008-08-01 001		
Brake pads – Clean with rubbing alcohol	S1000DBIKE-AAA-DA1-10-00-00AA-251A-A	2008-08-01 001		
Steering – Description of how it is made	S1000DBIKE-AAA-DA2-00-00-00AA-041A-A	2008-08-01 001		
Steering – Description of how it is made: Knowledge Check	S1000DBIKE-AAA-DA2-10-00-00AA-041A-T-T62E	2009-07-30 001		
Stem – Remove procedures	S1000DBIKE-AAA-DA2-10-00-00AA-520A-A	2008-08-01 001		
Stem – Install procedures	S1000DBIKE-AAA-DA2-10-00-00AA-720A-A	2008-08-01 001		
Handlebar – Remove procedures	S1000DBIKE-AAA-DA2-20-00-00AA-520A-A	2008-08-01 001		
Handlebar – Install procedures	S1000DBIKE-AAA-DA2-20-00-00AA-720A-A	2008-08-01 001		

**S1000DBIKE-AAA-D00-00-00-00AA-002A-A**

Applicable to: Mountain bicycle and (Mountain storm Mk1 or Brook trekker Mk9)

(Continued)

Document title	Data module code	Issue date Issue No.	No. of pages	Applicable to
Headset – Description of how it is made	S1000DBIKE-AAA-DA2-30-00-00AA-041A-A	2008-08-01 001		
Headset – Remove procedures	S1000DBIKE-AAA-DA2-30-00-00AA-520A-A	2008-08-01 001		
Headset – Install procedures	S1000DBIKE-AAA-DA2-30-00-00AA-720A-A	2008-08-01 001		
Frame – Description of how it is made	S1000DBIKE-AAA-DA3-00-00-00AA-041A-A	2008-08-01 001		
Horn – Isolated fault	S1000DBIKE-AAA-DA3-10-00-00AA-411A-A	2008-08-01 001		
Horn – Remove and install a new item	S1000DBIKE-AAA-DA3-10-00-00AA-921A-A	2008-08-01 001		
Drivetrain – Description of how it is made	S1000DBIKE-AAA-DA4-00-00-00AA-041A-A	2008-08-01 001		
Chain – Oil	S1000DBIKE-AAA-DA4-10-00-00AA-241A-A	2008-08-01 001		
Chain – Clean with chain cleaning fluid	S1000DBIKE-AAA-DA4-10-00-00AA-251B-A	2008-08-01 001		
Drive train – Correlated fault	S1000DBIKE-AAA-DA4-10-00-00AA-414A-A	2008-08-01 001		
Gears – Description of how it is made	S1000DBIKE-AAA-DA5-00-00-00AA-041A-A	2008-08-01 001		
Mechs – Description of how it is made	S1000DBIKE-AAA-DA5-10-00-00AA-041A-A	2008-08-01 001		
Hubs – Clean with degreasing agent	S1000DBIKE-AAA-DA5-20-00-00AA-251C-A	2008-08-01 001		
Shifters – Description of how it is made	S1000DBIKE-AAA-DA5-30-00-00AA-041A-A	2008-08-01 001		

This is a draft copy of Issue 000-01  
Printed 2021-09-27 12:56

Produced by Docuneering Ltd using the S1000D - Publication Builder

Applicable to: Mountain bicycle  
and (Mountain storm Mk1 or  
Brook trekker Mk9)

**S1000DBIKE-AAA-D00-00-00-00AA-002A-A**

**End of data module**

**UNCLASSIFIED**

**2012-12-31 Page 3**

Intentionally left blank.

## Table of contents

Document title	Data module code	Issue date Issue No.	No. of pages	Applicable to
Bicycle – Description of how it is made	<a href="#">S1000DBIKE-AAA-D00-00-00-00AA-041A-A</a>	2008-08-01 001		Mountain bicycle and (Mountain storm Mk1 or Brook trekker Mk9)
Bicycle – Description of function	<a href="#">S1000DBIKE-AAA-D00-00-00-00AA-042A-A</a>	2008-08-01 001		Mountain bicycle and (Mountain storm Mk1 or Brook trekker Mk9)
Bicycle – Description attributed to crew	<a href="#">S1000DBIKE-AAA-D00-00-00-00AA-043A-A</a>	2008-08-01 001		Mountain bicycle and (Mountain storm Mk1 or Brook trekker Mk9)
Mountain bicycle – Applicability cross-reference table catalog	<a href="#">S1000DBIKE-AAA-D00-00-00-00AA-0A3A-D</a>	2010-02-18 001		Mountain bicycle and (Mountain storm Mk1 or Brook trekker Mk9)
Bicycle – Pre-operation procedures (crew)	<a href="#">S1000DBIKE-AAA-D00-00-00-00AA-121A-A</a>	2008-08-01 001		Mountain bicycle and (Mountain storm Mk1 or Brook trekker Mk9)
Bicycle – Riding a bicycle	<a href="#">S1000DBIKE-AAA-D00-00-00-00AA-130A-A</a>	2007-01-01 001		Mountain bicycle and (Mountain storm Mk1 or Brook trekker Mk9)
Bicycle – Normal operation procedures (crew)	<a href="#">S1000DBIKE-AAA-D00-00-00-00AA-131A-A</a>	2008-08-01 001		Mountain bicycle and (Mountain storm Mk1 or Brook trekker Mk9)

Applicable to: Mountain bicycle and (Mountain storm Mk1 or Brook trekker Mk9)

**S1000DBIKE-AAA-D00-00-00-00AA-009A-A**

(Continued)

Document title	Data module code	Issue date Issue No.	No. of pages	Applicable to
Bicycle – Post-operation procedures (crew)	S1000DBIKE-AAA-D00-00-00-00AA-151A-A	2008-08-01 001		Brook trekker Mk9) Mountain bicycle and (Mountain storm Mk1 or Brook trekker Mk9)
Bicycle – Servicing: Attention	S1000DBIKE-AAA-D00-00-00-00AA-200A-T-T10B	2009-10-19 001		Mountain bicycle and (Mountain storm Mk1 or Brook trekker Mk9)
Bicycle – Servicing: Prerequisite concept review	S1000DBIKE-AAA-D00-00-00-00AA-200A-T-T36D	2009-10-19 001		Mountain bicycle and (Mountain storm Mk1 or Brook trekker Mk9)
Bicycle – Other procedures to clean	S1000DBIKE-AAA-D00-00-00-00AA-258A-A	2008-08-01 001		Mountain bicycle and (Mountain storm Mk1 or Brook trekker Mk9)
Bicycle – Place on test stand	S1000DBIKE-AAA-D00-00-00-00AA-330A-A	2008-08-01 001		Mountain bicycle and (Mountain storm Mk1 or Brook trekker Mk9)
Bicycle – Standard repair procedures	S1000DBIKE-AAA-D00-00-00-00AA-663A-A	2008-08-01 001		Mountain bicycle and (Mountain storm Mk1 or Brook trekker Mk9)
Bicycle – Performance support	S1000DBIKE-AAA-D00-00-00-00AA-952A-T-H31A	2009-07-22 001		Mountain bicycle and (Mountain storm Mk1 or Brook trekker Mk9)
Bicycle – Performance support	S1000DBIKE-AAA-D00-00-00-00AA-952A-T-H31A	2009-07-22 001		Mountain bicycle and

**S1000DBIKE-AAA-D00-00-00-00AA-009A-A**

Applicable to: Mountain bicycle and (Mountain storm Mk1 or Brook trekker Mk9)



(Continued)

Document title	Data module code	Issue date Issue No.	No. of pages	Applicable to
				(Mountain storm Mk1 or Brook trekker Mk9)
Bicycle – Illustrated Parts Data - IPD	S1000DBIKE-AAA-D00-00-00-01AA-941A-D	2008-08-01 001		Mountain bicycle and (Mountain storm Mk1 or Brook trekker Mk9)
Bicycle – Time limits	S1000DBIKE-AAA-D05-10-00-00AA-000A-A	2008-08-01 001		Mountain bicycle and (Mountain storm Mk1 or Brook trekker Mk9)
Bicycle – Scheduled maintenance lists	S1000DBIKE-AAA-D05-20-00-00AA-000A-A	2008-08-01 001		Mountain bicycle and (Mountain storm Mk1 or Brook trekker Mk9)
Bicycle – Scheduled maintenance checks	S1000DBIKE-AAA-D05-40-00-00AA-000A-A	2008-08-01 001		Mountain bicycle and (Mountain storm Mk1 or Brook trekker Mk9)
Wheel – Description of how it is made	S1000DBIKE-AAA-DA0-00-00-00AA-041A-A	2008-08-01 001		Mountain bicycle and (Mountain storm Mk1 or Brook trekker Mk9)
Wheels – Description of how it is made: Knowledge Check	S1000DBIKE-AAA-DA0-00-00-00AA-041A-T-T61E	2009-10-02 001		Mountain bicycle and (Mountain storm Mk1 or Brook trekker Mk9)
Inner tube – Remove and install a new item	S1000DBIKE-AAA-DA0-10-10-00AA-921A-A	2008-08-01 001		Mountain bicycle and (Mountain storm Mk1 or Brook trekker Mk9)

Applicable to: Mountain bicycle and (Mountain storm Mk1 or Brook trekker Mk9)

**S1000DBIKE-AAA-D00-00-00-00AA-009A-A**

(Continued)

Document title	Data module code	Issue date Issue No.	No. of pages	Applicable to
Tire – Fill with air	<a href="#">S1000DBIKE-AAA-DA0-10-20-00AA-215A-A</a>	2008-08-01 001		Brook trekker Mk9) Mountain bicycle and (Mountain storm Mk1 or Brook trekker Mk9)
Tire – Check pressure	<a href="#">S1000DBIKE-AAA-DA0-10-20-00AA-362B-A</a>	2008-08-01 001		Mountain bicycle and (Mountain storm Mk1 or Brook trekker Mk9)
Front wheel – Fault reports and isolation procedures	<a href="#">S1000DBIKE-AAA-DA0-10-20-00AA-400A-A</a>	2008-08-01 001		Mountain bicycle and (Mountain storm Mk1 or Brook trekker Mk9)
Front wheel – Remove procedures: Interactive content - Procedure	<a href="#">S1000DBIKE-AAA-DA0-10-20-00AA-520A-T-T4JC</a>	2009-10-02 001		Mountain bicycle and (Mountain storm Mk1 or Brook trekker Mk9)
Tire – Remove and install a new item	<a href="#">S1000DBIKE-AAA-DA0-10-20-00AA-921A-A</a>	2008-08-01 001		Mountain bicycle and (Mountain storm Mk1 or Brook trekker Mk9)
Rear wheel – Detected fault	<a href="#">S1000DBIKE-AAA-DA0-20-00-00AA-412A-A</a>	2008-08-01 001		Mountain bicycle and (Mountain storm Mk1 or Brook trekker Mk9)
Rear wheel – Remove procedures	<a href="#">S1000DBIKE-AAA-DA0-20-00-00AA-520A-A</a>	2008-08-01 001		Mountain bicycle and (Mountain storm Mk1 or Brook trekker Mk9)
Brake system – Description of how it is made	<a href="#">S1000DBIKE-AAA-DA1-00-00-00AA-041A-A</a>	2008-08-01 001		Mountain bicycle and

**S1000DBIKE-AAA-D00-00-00-00AA-009A-A**

Applicable to: Mountain bicycle and (Mountain storm Mk1 or Brook trekker Mk9)

(Continued)

Document title	Data module code	Issue date Issue No.	No. of pages	Applicable to
				(Mountain storm Mk1 or Brook trekker Mk9)
Brake system – Manual test	<a href="#">S1000DBIKE-AAA-DA1-00-00-00AA-341A-A</a>	2008-08-01 001		Mountain bicycle and (Mountain storm Mk1 or Brook trekker Mk9)
Brake pads – Clean with rubbing alcohol	<a href="#">S1000DBIKE-AAA-DA1-10-00-00AA-251A-A</a>	2008-08-01 001		Mountain bicycle and (Mountain storm Mk1 or Brook trekker Mk9)
Steering – Description of how it is made	<a href="#">S1000DBIKE-AAA-DA2-00-00-00AA-041A-A</a>	2008-08-01 001		Mountain bicycle and (Mountain storm Mk1 or Brook trekker Mk9)
Steering – Description of how it is made: Knowledge Check	<a href="#">S1000DBIKE-AAA-DA2-10-00-00AA-041A-T-T62E</a>	2009-07-30 001		Mountain bicycle and (Mountain storm Mk1 or Brook trekker Mk9)
Stem – Remove procedures	<a href="#">S1000DBIKE-AAA-DA2-10-00-00AA-520A-A</a>	2008-08-01 001		Mountain bicycle and (Mountain storm Mk1 or Brook trekker Mk9)
Stem – Install procedures	<a href="#">S1000DBIKE-AAA-DA2-10-00-00AA-720A-A</a>	2008-08-01 001		Mountain bicycle and (Mountain storm Mk1 or Brook trekker Mk9)
Handlebar – Remove procedures	<a href="#">S1000DBIKE-AAA-DA2-20-00-00AA-520A-A</a>	2008-08-01 001		Mountain bicycle and (Mountain storm Mk1 or Brook trekker Mk9)

Applicable to: Mountain bicycle and (Mountain storm Mk1 or Brook trekker Mk9)

**S1000DBIKE-AAA-D00-00-00-00AA-009A-A**

(Continued)

Document title	Data module code	Issue date Issue No.	No. of pages	Applicable to
				Brook trekker Mk9)
Handlebar – Install procedures	<a href="#">S1000DBIKE-AAA-DA2-20-00-00AA-720A-A</a>	2008-08-01 001		Mountain bicycle and (Mountain storm Mk1 or Brook trekker Mk9)
Headset – Description of how it is made	<a href="#">S1000DBIKE-AAA-DA2-30-00-00AA-041A-A</a>	2008-08-01 001		Mountain bicycle and (Mountain storm Mk1 or Brook trekker Mk9)
Headset – Remove procedures	<a href="#">S1000DBIKE-AAA-DA2-30-00-00AA-520A-A</a>	2008-08-01 001		Mountain bicycle and (Mountain storm Mk1 or Brook trekker Mk9)
Headset – Install procedures	<a href="#">S1000DBIKE-AAA-DA2-30-00-00AA-720A-A</a>	2008-08-01 001		Mountain bicycle and (Mountain storm Mk1 or Brook trekker Mk9)
Frame – Description of how it is made	<a href="#">S1000DBIKE-AAA-DA3-00-00-00AA-041A-A</a>	2008-08-01 001		Mountain bicycle and (Mountain storm Mk1 or Brook trekker Mk9)
Horn – Isolated fault	<a href="#">S1000DBIKE-AAA-DA3-10-00-00AA-411A-A</a>	2008-08-01 001		Mountain bicycle and (Mountain storm Mk1 or Brook trekker Mk9)
Horn – Remove and install a new item	<a href="#">S1000DBIKE-AAA-DA3-10-00-00AA-921A-A</a>	2008-08-01 001		Mountain bicycle and (Mountain storm Mk1 or Brook trekker Mk9)
Drivetrain – Description of how it is made	<a href="#">S1000DBIKE-AAA-DA4-00-00-00AA-041A-A</a>	2008-08-01 001		Mountain bicycle and

**S1000DBIKE-AAA-D00-00-00-00AA-009A-A**

Applicable to: Mountain bicycle and (Mountain storm Mk1 or Brook trekker Mk9)

(Continued)

Document title	Data module code	Issue date Issue No.	No. of pages	Applicable to
				(Mountain storm Mk1 or Brook trekker Mk9)
Chain – Oil	<a href="#">S1000DBIKE-AAA-DA4-10-00-00AA-241A-A</a>	2008-08-01 001		Mountain bicycle and (Mountain storm Mk1 or Brook trekker Mk9)
Chain – Clean with chain cleaning fluid	<a href="#">S1000DBIKE-AAA-DA4-10-00-00AA-251B-A</a>	2008-08-01 001		Mountain bicycle and (Mountain storm Mk1 or Brook trekker Mk9)
Drive train – Correlated fault	<a href="#">S1000DBIKE-AAA-DA4-10-00-00AA-414A-A</a>	2008-08-01 001		Mountain bicycle and (Mountain storm Mk1 or Brook trekker Mk9)
Gears – Description of how it is made	<a href="#">S1000DBIKE-AAA-DA5-00-00-00AA-041A-A</a>	2008-08-01 001		Mountain bicycle and (Mountain storm Mk1 or Brook trekker Mk9)
Mechs – Description of how it is made	<a href="#">S1000DBIKE-AAA-DA5-10-00-00AA-041A-A</a>	2008-08-01 001		Mountain bicycle and (Mountain storm Mk1 or Brook trekker Mk9)
Hubs – Clean with degreasing agent	<a href="#">S1000DBIKE-AAA-DA5-20-00-00AA-251C-A</a>	2008-08-01 001		Mountain bicycle and (Mountain storm Mk1 or Brook trekker Mk9)
Shifters – Description of how it is made	<a href="#">S1000DBIKE-AAA-DA5-30-00-00AA-041A-A</a>	2008-08-01 001		Mountain bicycle and (Mountain storm Mk1 or Brook trekker Mk9)

Applicable to: Mountain bicycle and (Mountain storm Mk1 or Brook trekker Mk9)

**S1000DBIKE-AAA-D00-00-00-00AA-009A-A**

---

Document title	Data module code	Issue date Issue No.	No. of pages	Applicable to
				Brook trekker Mk9)

---

## Mountain bicycle

### *Products cross-reference table*

#### Table of contents

	Page
Products cross-reference table .....	1
References .....	1
Product cross-reference table .....	1

#### List of tables

1	References .....	1
2	List of product instances .....	1

### *References*

*Table 1 References*

Data module / Technical publication	Title
None	

### *Product cross-reference table*

*Table 2 List of product instances*

Identifier	Type	Value
Product instance		
serialno	Product attribute	1B070643
model	Product attribute	Brook trekker
version	Product attribute	Mk9
versrank	Product attribute	2
SB-S001	Condition	Pre
Product instance		
serialno	Product attribute	1B070644
model	Product attribute	Brook trekker
version	Product attribute	Mk9
versrank	Product attribute	1
SB-S001	Condition	Post
Product instance		
serialno	Product attribute	1B070701

Applicable to: All

**S1000DBIKE-AAA-D00-00-00-00AA-00PA-D**

---

*Table 2 List of product instances (Continued)*

<b>Identifier</b>	<b>Type</b>	<b>Value</b>
model	Product attribute	Mountain storm
version	Product attribute	Mk1
versrank	Product attribute	1
SB-S001	Condition	Pre



## Mountain bicycle

### Conditions cross-reference table

#### Table of contents

	Page
Conditions cross-reference table .....	1
References .....	1
Condition cross-reference table .....	1

#### List of tables

1	References .....	1
2	Common types of conditions .....	1
3	Conditions .....	2
4	Incorporation .....	2

### References

Table 1 References

Data module / Technical publication	Title
None	

### Condition cross-reference table

Table 2 Common types of conditions

Name	Description	Data type	Values
Id		Value pattern	
Service bulletin SB	Generic service bulletin type	String	PRE POST-001~POST-999
generic Boolean condition Boolean	Boolean condition	String	True False

Table 3 Conditions

Name	Condition type	Description	Data type	References	Dependency
Display name (Id)	Alias	Prompt	Value pattern	Condition ref group	
Service bulletin S001 - Chain guard  (SB-S001)	SB	Service bulletin S001 for the installation of the chain guard	String	S1000DBIKE-AAA-DA0-20-00-00AA-520A-A	Values: POST-001 Applic: A-1
tour finished  (tourFinished)	Boolean	finished tour	String		

Table 4 Incorporation

Id	Issue No.	References	Date	Status
SB-S001	00	S1000DBIKE-AAA-DA0-20-00-00AA-520A-A	2007-07-31	Incorporated
SB-S001	01	S1000DBIKE-AAA-DA0-20-00-00AA-520A-A		No effect

## Mountain bicycle

### *Applicability cross-reference table*

#### Table of contents

	Page
Applicability cross-reference table .....	1
References .....	1
Applicability cross-reference table .....	1

#### List of tables

1	References .....	1
2	Product attribute list .....	1

### *References*

Table 1 References

Data module / Technical publication	Title
None	

### *Applicability cross-reference table*

Conditions cross-reference table: [S1000DBIKE-AAA-D00-00-00-00AA-00QA-D](#)

Products cross-reference table: [S1000DBIKE-AAA-D00-00-00-00AA-00PA-D](#)

Table 2 Product attribute list

Name	Description	Data type	Values
Display name (Id)		Value pattern	
Serial number SN (serialno)	Serial number (etched on the frame) (Hint: Serial Number (locate under the bottom bracket where the two pedal cranks meet))	String	
Type (type)	Type of bike	String	
Model (model)	Model of the bike	String .*	Brook trekker Mountain storm
Version (version)	Version of the bike	String Mk(1 9)	Mk1 Mk9

Applicable to: All

**S1000DBIKE-AAA-D00-00-00-00AA-00WA-D**

Table 2 Product attribute list (Continued)

<b>Name</b>	<b>Description</b>	<b>Data type</b>	<b>Values</b>
<b>Display name (Id)</b>		<b>Value pattern</b>	
Version rank series (versrank)	Version rank	Integer	1~3
Brake Serial number BSN (brakeSerialno)	Serial number on the brake	String	
<i>External product attribute</i> Brake model - The model of the brake in a bike (brakeModel)		String	

## Bicycle

### *Controls and Indicators*

#### Table of contents

	Page
Controls and Indicators .....	1
References .....	1
General information .....	1
Controls and indicators repository .....	2

#### List of tables

1	References .....	1
---	------------------	---

#### List of figures

1	Bicycle Controls and Indicators .....	2
---	---------------------------------------	---

### *References*

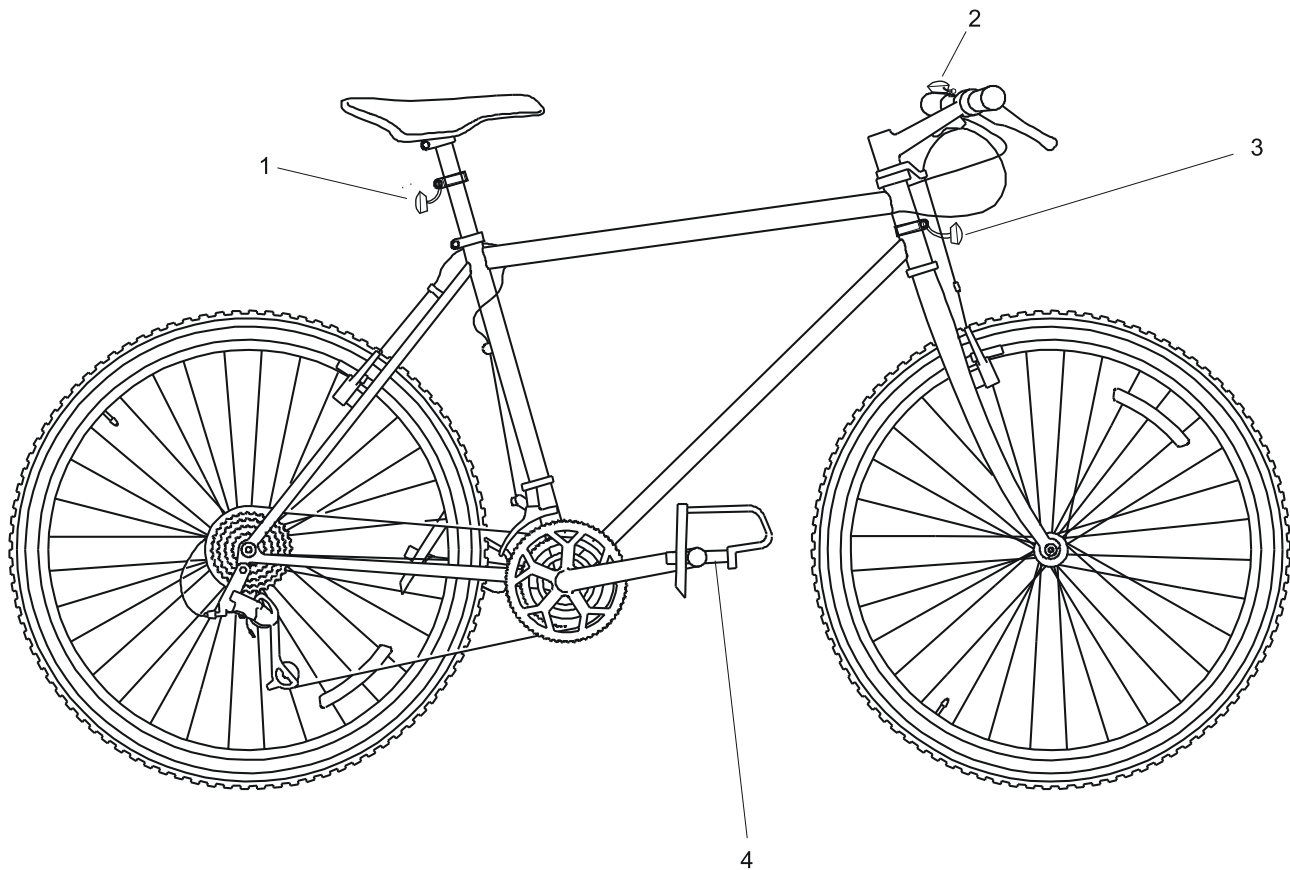
*Table 1 References*

Data module / Technical publication	Title
None	

### *General information*

#### 1 Introduction

The following table(s) and illustration(s) provide the description and use of the controls and indicators pertaining to the mountain bicycle(s). Some controls and indicators may differ depending on the model.



ICN-07GB6-BIKECI0001-001-01

Fig 1 Bicycle Controls and Indicators

**Controls and indicators repository**

**1 Control or indicator group**

References:..... [Fig 1](#)

**1.1 ci-0001**

Key:..... 1

Name:..... LED Taillight

**Description**

Control or indicator functions:

- Lights illuminate automatically when brakes are engaged.

**1.2 ci-0002**

Key:..... 2

Name:..... Chrome Bell

**Description**

Control or indicator functions:

- Press to sound bell. Normally used to signal a need for attention.

**1.3 ci-0003**

Key:..... 3

Name:..... LED Headlight

**Description**

Control or indicator functions:

- Push button to turn light **on** or **off**.

**1.4 ci-0004**

Key:..... 4

Name:..... Platform Pedals

**Description**

Control or indicator functions:

- Control the acceleration of the bicycle.

This is a draft copy of Issue 000-01  
Printed 2021-09-27 12:56

Produced by Docuneering Ltd using the S1000D - Publication Builder

Intentionally left blank.



## Mountain bicycle

### *Business rules*

#### Table of contents

	Page
Business rules .....	1
References .....	1
General information .....	1
Business rules exchange .....	1
Context rules .....	2
Non context rules .....	11

#### List of tables

1	References .....	1
2	Context rules .....	2

### *References*

*Table 1 References*

Data module / Technical publication	Title
None	

### *Business rules exchange*

#### *General information*

#### **Introduction to the Bike BREX DM**

The Bike BREX data module has primarily been developed to

- serve as an example of how a BREX data module is meant to be used
- to control and guide the continuous development of the Bike data set

The Bike BREX will be subject of continuous enhancements to ensure that each new specification issue is appropriately represented in the BREX module.

## Context rules

Table 2 Context rules

No.	[Allowed object flag] Object path/Notation name	Object use	Object value [Tailoring]	Meaning
1	[2] //dmAddress/dmIdent/dmCode/@modelIdentCode	Bike model identification	S1000DBIKE [Closed] S1000DLIGHTING [Closed] BRAKE [Closed]	S1000D Bike platform S1000D Bike light system S1000D Brake system
2	[2] //dmAddress/dmIdent/dmCode/@systemCode	Systems (Bike specific SNS)	D00~D09 DA0~DA9	
3	[2] //dmAddress/dmIdent/dmCode/@subSystemCode	Subsystems (Bike specific SNS)	0~9	
4	[2] //dmAddress/dmIdent/dmCode/@subSubsystemCode	Subsubsystems	0~9	
5	[2] //dmAddress/dmIdent/dmCode/@assyCode	Units of assembly	00~99	
6	[2] //dmAddress/dmIdent/dmCode/@infoCode	Bike information codes	000 [Closed] 001 [Restrictable] 002 [Restrictable] 009 [Restrictable] 00E [Restrictable] 00G [Restrictable] 00H [Restrictable] 00N [Restrictable] 00P [Restrictable] 00Q [Restrictable] 00W [Restrictable] 00X [Restrictable]	In accordance with Issue 2.3 Title page List of pages or data modules See also code 00R and code 00S Table of contents Functional item numbers common information repository Parts common information repository Zones common information repository Support equipment common information repository Product Cross-reference Table (PCT) Conditions Cross-reference Table (CCT) Applicability Cross-reference Table (ACT) Controls and indicators common information repository

Table 2 Context rules (Continued)

No.	[Allowed object flag] Object path/Notation name	
	Object use	Object value [Tailoring] Meaning
		0A1 [Restrictable] Functional and/or physical areas repository
		0A2 [Restrictable] !!!2009-144S1!!!
		0A3 [Restrictable] Applicability cross reference catalog
		012 [Restrictable] General warnings and cautions and related safety data
		018 [Closed] In accordance with Issue 2.3
		022 [Closed] In accordance with Issue 2.3
		028 [Closed] In accordance with Issue 2.3
		029 [Closed] In accordance with Issue 2.3
		040 [Closed] In accordance with Issue 2.3
		041 [Closed] In accordance with Issue 2.3
		042 [Closed] In accordance with Issue 2.3
		043 [Closed] In accordance with Issue 2.3
		056 [Closed] In accordance with Issue 2.3
		057 [Closed] In accordance with Issue 2.3
		058 [Closed] In accordance with Issue 2.3
		100 [Closed] In accordance with Issue 2.3
		121 [Closed] In accordance with Issue 2.3
		130 [Restrictable] Normal operation
		131 [Closed] In accordance with Issue 2.3
		151 [Closed] In accordance with Issue 2.3
		200 [Closed] In accordance with Issue 2.3
		215 [Closed] In accordance with Issue 2.3
		241 [Closed] In accordance with Issue 2.3
		251 [Closed] In accordance with Issue 2.3
		258 [Closed] In accordance with Issue 2.3
		310 [Closed] In accordance with Issue 2.3
		330 [Closed] In accordance with Issue 2.3
		341 [Closed] In accordance with Issue 2.3
		362 [Closed] In accordance with Issue 2.3
		400 [Closed] In accordance with Issue 2.3
		411 [Closed] In accordance with Issue 2.3

Applicable to:

S1000DBIKE-AAA-D00-00-00-00AA-022A-D

*Table 2 Context rules (Continued)*

No.	[Allowed object flag] Object path/Notation name	Object value [Tailoring]	Meaning
		412 [Closed]	In accordance with Issue 2.3
		413 [Closed]	In accordance with Issue 2.3
		414 [Closed]	In accordance with Issue 2.3
		520 [Closed]	In accordance with Issue 2.3
		663 [Closed]	In accordance with Issue 2.3
		700 [Closed]	In accordance with Issue 2.3
		720 [Closed]	In accordance with Issue 2.3
		913 [Closed]	In accordance with Issue 2.3
		920 [Closed]	In accordance with Issue 2.3
		921 [Closed]	In accordance with Issue 2.3
		930 [Restrictable]	Service Bulletin
		933 [Restrictable]	Accomplishment instruction
		93A [Restrictable]	Modification procedures
		941 [Closed]	In accordance with Issue 2.3
7	[0] //descendant-or-self::orderedList[not(ancestor-or-self::description)] Sequential (numbered) lists not allowed unless in descriptive data modules		
8	[0] //note[ancestor-or-self::warning] Notes are not allowed in Warnings		
9	[0] //warning/orderedList Ordered lists are not allowed in Warnings		
10	[0] //warning/definitionList Definition lists are not allowed in Warnings		
11	[0] //warning/randomList/listItem/randomList Random lists must not be nested within Warnings		
12	[0] //warning/randomList/title Random list titles are not allowed in Warnings		
13	[0] //note[ancestor-or-self::caution] Notes are not allowed in Cautions		

Table 2 Context rules (Continued)

No.	[Allowed object flag] Object path/Notation name		
	Object use	Object value [Tailoring]	Meaning
14	[0] //caution/orderedList Ordered lists are not allowed in Cautions		
15	[0] //caution/definitionList Definition lists are not allowed in Cautions		
16	[0] //caution/randomList/listItem/randomList Random lists must not be nested within Cautions		
17	[0] //caution/randomList/title Random list titles are not allowed in Cautions		
18	[2] //@accessPanelTypeValue Type of access panel	accpn101 [Closed] accpn102 [Closed] accpn103 [Closed]	Access is a door Access is a panel Access is an electrical panel
19	[2] //acronym/@acronymtype Type of acronym or abbreviation	at01 [Closed] at02 [Closed] at03 [Closed] at04 [Closed]	Acronym (Candidate for list of abbreviations) - Default value Term (Candidate for list of terms) Symbol (Candidate for list of symbols) Spec (Candidate for list of applicable specs)
20	[2] //dialog/@cancelCaption Caption for dialog cancel function	ca01 [Closed] ca02 [Closed] ca03 [Closed] ca04 [Closed] ca05 [Closed]	Sets the caption to "CANCEL" Sets the caption to "ABORT" Sets the caption to "NO" Sets the caption to "END" Sets the caption to "QUIT"

This is a draft copy of Issue 000-01  
Printed 2021-09-27 12:56

Produced by Docuneering Ltd using the S1000D - Publication Builder

Applicable to:

S1000DBIKE-AAA-D00-00-00-00AA-022A-D

Table 2 Context rules (Continued)

No.	[Allowed object flag] Object path/Notation name	Object use	Object value [Tailoring]	Meaning
21	[2] //security/@securityClassification	Security classification	01 [Closed]	1 (lowest level of security classification, eg Unclassified)
22	[2] //security/@commercialClassification	Commercial security classification	cc51 [Closed]	Open
23	[2] //caption/@colour	Caption color	co00 [Closed]	None
			co01 [Closed]	Green
			co02 [Closed]	Amber
			co03 [Closed]	Yellow
			co04 [Closed]	Red
			co07 [Closed]	White
			co08 [Closed]	Grey
			co09 [Closed]	Clear - Default value
			co51 [Closed]	Blue (used on Bike Computer Display)
24	[0] //commentPriority[not(attribute::commentPriorityCode)]	Priority level of a comment required		
25	[2] //@commentPriorityCode	Priority level of a comment	cp01 [Closed]	Routine
			cp02 [Closed]	Emergency
			cp03 [Closed]	Safety critical
26	[0] //crewMember[not(attribute::crewMembertype)]	Type of crew member required for drill or procedural step		
27	[2] //@crewMembertype	Type of crew member	cm01 [Closed]	All
			cm51 [Closed]	Bike rider
			cm52 [Closed]	Bike technician
28	[0] //crewDrill/@drillType	Types of aircrew drills do not apply to the BikeDMs		

Table 2 Context rules (Continued)

No.	[Allowed object flag] Object path/Notation name	Object use	Object value [Tailoring]	Meaning
29	[2] //emphasis/@emphasisType	Type of emphasis	em01 [Closed] em02 [Closed] em03 [Closed] em04 [Closed] em05 [Closed]	Bold - Default value Italic (only for legacy data, see Chap 3.9.1) Underline (only for legacy data, see Chap 3.9.1) Overline (only for marking vectors) Strikethrough (not to be used to mark deleted text)
30	[2] //installationLocation/@installationLocationType	Type of install location	instloctyp02 [Closed] instloctyp03 [Closed] instloctyp04 [Closed] instloctyp05 [Closed] instloctyp60 [Closed]	Section Station Water line Buttock line Frame
31	[2] //maintLevel/@maintLevelCode	Maintenance level	ml01 [Closed] ml02 [Closed]	Level 1 (home) Level 2 (authorized workshop)
32	[2] //@itemOriginator	Origin of equipment/harness/wire	orig01 [Closed] orig02 [Closed] orig03 [Closed]	Manufacturer Vendor Partner
33	[2] //randomList/@listItemPrefix	Prefix of 'randomList' items, limited to three variants	pf01 [Closed] pf02 [Closed] pf03 [Closed]	Simple (No prefix, only indent) Unorder (Depending on list level, prefix with short dash for first level, bullet for second, and short dash for third level - ISOpub: bull, dash) - Default value Dash (short dash - ISOpub: dash)
34	[2] //inlineSignificantData/@significantParaDataType	Paragraph significant data type	psd01 [Closed] psd02 [Closed] psd03 [Closed] psd04 [Closed]	Ammunition Instruction disposition Lubricant Maintenance level

Applicable to:

S1000DBIKE-AAA-D00-00-00-00AA-022A-D

Table 2 Context rules (Continued)

No.	[Allowed object flag]	Object path/Notation name		
		Object use	Object value [Tailoring]	Meaning
			psd05 [Closed]	Manufacturer code
			psd06 [Closed]	Manufacturers recommendation
			psd07 [Closed]	Modification code
			psd08 [Closed]	Qualification code
			psd09 [Closed]	Training level
			psd10 [Lexical]	Control or Indicator value
35	[2]	//quantity/@quantityType Quantity data type	qty01 [Closed]	Length
			qty02 [Closed]	Price
			qty03 [Closed]	Temperature
			qty04 [Closed]	Time
			qty05 [Closed]	Torque value
			qty06 [Closed]	Voltage
			qty07 [Closed]	Volume
			qty08 [Closed]	Mass
36	[2]	//dialog/@resetCaption Caption for dialog reset caption	re01 [Closed]	Sets the caption to "RESET"
			re02 [Closed]	Sets the caption to "CLEAR"
37	[2]	//commentResponse/@responseType Type of response to a comment	rt01 [Closed]	Accepted
			rt02 [Closed]	Pending
			rt03 [Closed]	Partially accepted
			rt04 [Closed]	Rejected
38	[2]	//@skillLevelCode Personnel skill level	sk01 [Closed]	Basic
			sk02 [Closed]	Intermediate
			sk03 [Closed]	Advanced
39	[2]	//@submitCaption Caption for dialog submit function	ok01 [Closed]	Sets the caption to "OK"
			ok02 [Closed]	Sets the caption to "SUBMIT"
			ok03 [Closed]	Sets the caption to "YES"
			ok04 [Closed]	Sets the caption to "CONTINUE"
			ok05 [Closed]	Sets the caption to "EXIT"



Table 2 Context rules (Continued)

No.	[Allowed object flag] Object path/Notation name	Object use	Object value [Tailoring]	Meaning
40	[2] //supervisorLevel/@supervisorLevelCode	Supervisor level	sl01 [Closed] sl02 [Closed] sl03 [Closed] sl04 [Closed]	Low Low intermediate High intermediate High
41	[2] //@taskCode	Task code	taskcd01 [Closed] taskcd02 [Closed] taskcd03 [Closed] taskcd04 [Closed] taskcd05 [Closed] taskcd06 [Closed] taskcd07 [Closed] taskcd08 [Closed] taskcd09 [Closed]	Detailed inspection (DET) Discard (DIS) Functional Check (FNC) General visual inspection (GVI) Lubrication (LUB) Operational check (OPC) Restoration (RST) Servicing (SVC) Visual check (VCK)
42	[2] //limitType/@limitUnitType	Limit type	lt01 [Closed] lt02 [Closed] lt03 [Closed] lt04 [Closed] lt05 [Closed] lt06 [Closed] lt07 [Closed]	Time between overhaul Hard time Since last maintenance Out time limit On condition Check maintenance Functional check
43	[2] //threshold/@thresholdUnitOfMeasure	Unit of measurement for the threshold interval	th03 [Closed] th04 [Closed] th05 [Closed] th06 [Closed] th11 [Closed] th12 [Closed] th14 [Closed] th35 [Lexical]	Months Weeks Years Days Shop visits Auxiliary power unit change Wheel change kilometer

This is a draft copy of Issue 000-01  
Printed 2021-09-27 12:56

Produced by Docuneering Ltd using the S1000D - Publication Builder

Applicable to:

S1000DBIKE-AAA-D00-00-00-00AA-022A-D

*Table 2 Context rules (Continued)*

No.	[Allowed object flag] Object path/Notation name	Object use	Object value [Tailoring]	Meaning
44	[2] //sourceType/@sourceTypeCode	indicates the type of source	stc51 [Closed] stc52 [Closed]	fec sample
45	[2] //sourceType/@sourceCriticality	indicates the impact of not complying with the requirement	sc55 [Closed] sc56 [Closed] sc57 [Closed] sc58 [Closed] sc59 [Closed]	Evident, Safety Evident, operational Evident, Economic Hidden, Safety Hidden, Non-Safety
46	[2] //verbatimText/@verbatimStyle	Verbatim style	vs01 [Closed] vs02 [Closed] vs11 [Closed] vs12 [Closed] vs13 [Closed] vs14 [Closed] vs15 [Closed] vs16 [Closed] vs21 [Closed] vs22 [Closed] vs23 [Closed] vs24 [Closed] vs25 [Closed] vs26 [Closed] vs27 [Closed] vs28 [Closed] vs29 [Closed]	Generic verbatim Filename XML/SGML markup XML/SGML element name XML/SGML attribute name XML/SGML attribute value XML/SGML entity name XML/SGML processing instruction Program prompt User input Computer output Program listing Program variable name Program variable value Constant Class name Parameter name
47	[2] //@quantityUnitOfMeasure	Quantity data unit of measure - for further information refer to Chap 3.9.6.2 and the corresponding xml table		

---

### ***Non context rules***

Bike data modules must be reviewed and approved by EPWG before publishing.

The Bike data set must contain examples of how to apply constructs and principles representing various levels of concept sophistication.

This is a draft copy of Issue 000-01  
Printed 2021-09-27 12:56

Produced by Docuneering Ltd using the S1000D - Publication Builder

---

Applicable to:

**S1000DBIKE-AAA-D00-00-00-00AA-022A-D**

**End of data module**

**UNCLASSIFIED**

**2012-12-31 Page 11**

Intentionally left blank.

# Bicycle

## Description of how it is made

### Table of contents

	Page
Description of how it is made .....	1
References .....	1
Description .....	1
1 Physical description of a bicycle .....	1

### List of tables

1	References .....	1
2	Bicycle parts .....	2

### List of figures

1	Complete bicycle .....	2
---	------------------------	---

## References

Table 1 References

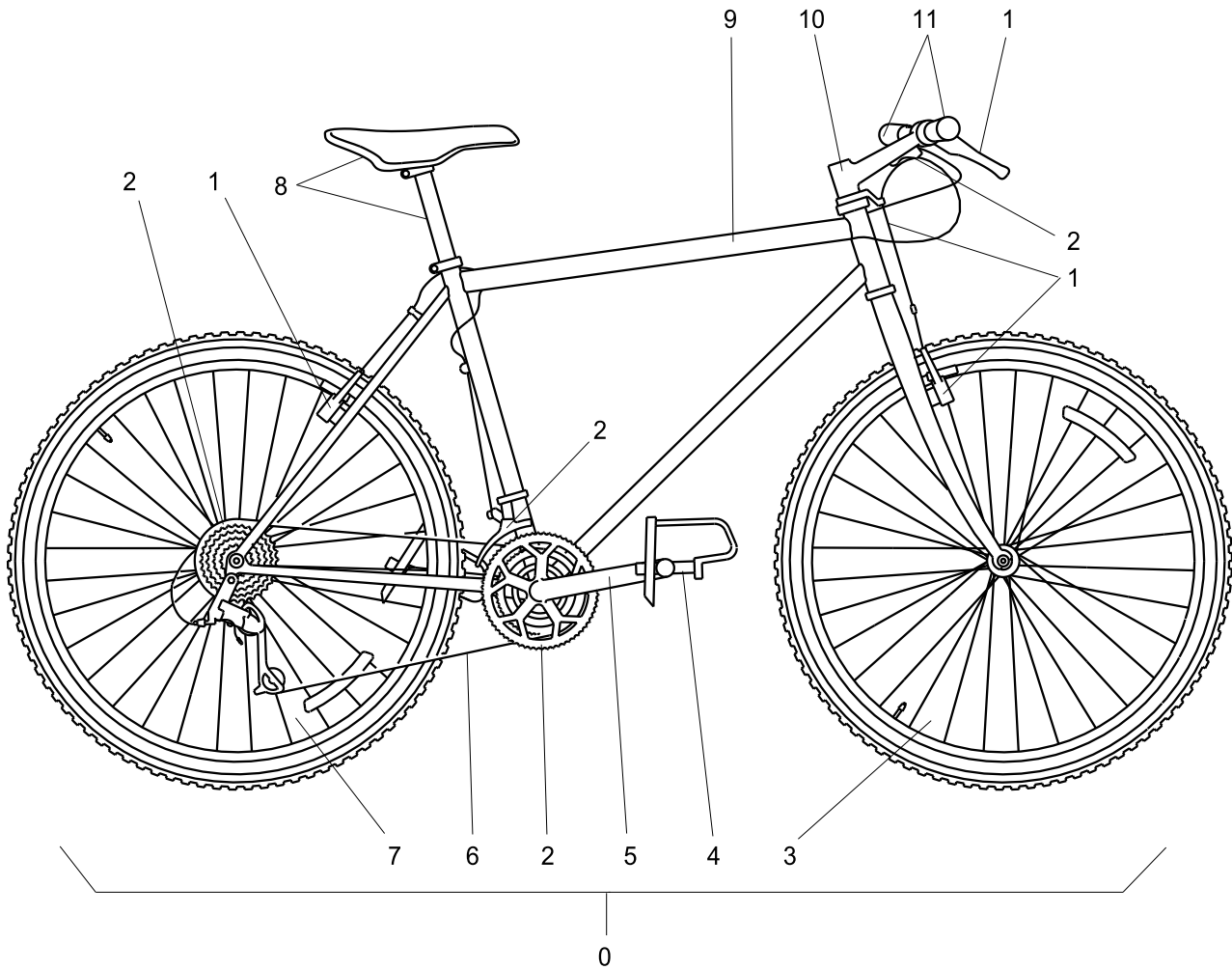
Data module / Technical publication	Title
None	

## Description

### 1 Physical description of a bicycle

A bicycle (refer to [Fig 1](#)) is a frame and a number of movable components with mechanical parts that are completely open. There are no covers or sheet metal panels that prevent access to the mechanical parts. Thus, you can disassemble the different components of a bicycle (refer to [Fig 1 \[0\]](#)) to do:

- an inspection
- a maintenance task
- a repair task



ICN-S1000DBIKE-AAA-D000000-0-U8025-00536-A-04-1

Fig 1 Complete bicycle

The parts that you can immediately identify on a bicycle are given in Table 1.

Table 2 Bicycle parts

Item	Refer to	Definition
Frame	<a href="#">Fig 1 [9]</a>	A bicycle frame is made of metal tubes that are welded together.
Wheels		The wheels include these parts:
		<ul style="list-style-type: none"> <li>- Hub</li> <li>- Spokes</li> <li>- Metal rim</li> <li>- Rubber tire</li> </ul>
- Rear wheel	<a href="#">Fig 1 [7]</a>	

Table 2 Bicycle parts (Continued)

Item	Refer to	Definition
- Front wheel	Fig 1 [3]	
Seat and seat post	Fig 1 [8]	These install into the seat tube with a mechanism you can use to change the height.
Handle bars	Fig 1 [11]	A horizontal bar that attaches to the stem with grips at the ends that attach to the brake levers and the shifters.
Handle bar stem	Fig 1 [10]	This attaches the handle bar to the steering tube (head set).
Cranks	Fig 1 [5]	A lever that extends from the bottom of the bracket to the pedal.
Pedals	Fig 1 [4]	The two platforms for the feet that attach to the crank.
Chain	Fig 1 [6]	A circular set of links that connect the chain ring to the cogs on the freewheel.
Gears	Fig 1 [2]	The gears include: <ul style="list-style-type: none"> <li>- Front chain ring</li> <li>- Rear freewheel</li> <li>- Front and the rear derailleur</li> <li>- Shift lever on the handle bars</li> <li>- Cables</li> </ul>
Brakes	Fig 1 [1]	The brakes include: <ul style="list-style-type: none"> <li>- Actuators on the handlebars</li> <li>- Brake cable</li> <li>- Brake callipers</li> <li>- Brake pads</li> </ul>

Intentionally left blank.



## Bicycle

### Description of function

#### Table of contents

	Page
Description of function .....	1
References .....	1
Description .....	1
1 Functional description of a bicycle .....	1

#### List of tables

1	References .....	1
---	------------------	---

### References

Table 1 References

Data module / Technical publication	Title
<a href="#">S1000DBIKE-AAA-DA3-00-00-00AA-041A-A</a>	Frame – Description of how it is made
<a href="#">S1000DBIKE-AAA-DA0-00-00-00AA-041A-A</a>	Wheel – Description of how it is made
<a href="#">S1000DBIKE-AAA-DA2-20-00-00AA-720A-A</a>	Handlebar – Install procedures
<a href="#">S1000DBIKE-AAA-DA5-30-00-00AA-041A-A</a>	Shifters – Description of how it is made
<a href="#">S1000DBIKE-AAA-DA2-10-00-00AA-720A-A</a>	Stem – Install procedures
<a href="#">S1000DBIKE-AAA-DA2-10-00-00AA-520A-A</a>	Stem – Remove procedures
<a href="#">S1000DBIKE-AAA-DA5-00-00-00AA-041A-A</a>	Gears – Description of how it is made
<a href="#">S1000DBIKE-AAA-DA1-00-00-00AA-041A-A</a>	Brake system – Description of how it is made
<a href="#">S1000DBIKE-AAA-DA2-20-00-00AA-520A-A</a>	Handlebar – Remove procedures
<a href="#">S1000DBIKE-AAA-DA4-10-00-00AA-251B-A</a>	Chain – Clean with chain cleaning fluid
<a href="#">S1000DBIKE-AAA-DA5-10-00-00AA-041A-A</a>	Mechs – Description of how it is made

### Description

#### 1 Functional description of a bicycle

Below is a list of the different bicycle components and a functional description of them.

Frame	The frame is the skeleton of the bicycle. Refer to <a href="#">S1000DBIKE-AAA-DA3-00-00-00AA-041A-A</a> for a functional description of the frame system.
Wheel	The wheel is the point of contact between the bicycle and the road for the bicycle to have movement. Refer to <a href="#">S1000DBIKE-</a>

Applicable to: Mountain bicycle  
and (Mountain storm Mk1 or  
Brook trekker Mk9)

**S1000DBIKE-AAA-D00-00-00-00AA-042A-A**

---

	<a href="#">AAA-DA0-00-00-00AA-041A-A</a> for a functional description of the wheel.
Spokes	The spokes are thick wires with tension applied that connect the hub to the rim. You can adjust the tension with the nipple on the rim side.
Hub	The hub attaches to the center of the wheel where the axle and the bearings are.
Metal rim	The metal rim is a metal ring that has a U-shaped cross section to hold the spokes on the inner side and the tire on the outer side.
Seat	The Seat, which is also known as the 'saddle', is used as the support platform for the person to sit on the bicycle.
Seat post	The Seat post is used as a support post for the seat and to change the height of the seat for the rider.
Handle bar	The handle bar is a horizontal bar with handles on each end. The handle bar is a steering mechanism that the rider uses to change the direction of the bicycle. The brake levers are also on the handle bar. Refer to <a href="#">S1000DBIKE-AAA-DA2-20-00-00AA-720A-A</a> for information on how to install the handle bar. Refer to <a href="#">S1000DBIKE-AAA-DA2-20-00-00AA-520A-A</a> for information on removing the handlebar.
Handle bar stem	The handle bar stem (the stem) attaches the handle bar to the steering tube. Refer to <a href="#">S1000DBIKE-AAA-DA2-10-00-00AA-720A-A</a> for information on how to install a stem. Refer to <a href="#">S1000DBIKE-AAA-DA2-10-00-00AA-520A-A</a> for information on how to remove the stem.
Brake levers	When you operate the brake lever, the brake pads move against the wheel to decrease the speed. The brake lever on the left side operates the front brake. The brake lever on the right side operates the rear brake.
Brakes	When you operate the brakes, the brake pad moves against the wheel to decrease the speed of the bicycle. Refer to <a href="#">S1000DBIKE-AAA-DA1-00-00-00AA-041A-A</a> for a description of the braking system.
Shifters	The shifters are the mechanisms that you use to change the gears on the bicycle. There are 7 different types of shifters that have been developed over the years, but they all have the same functionality. When you operate the shifters, they pull the control cable to move the derailleur towards a larger diameter chain ring. The shifters can also loosen the cable to let the derailleur move towards a smaller diameter chain ring. Refer to <a href="#">S1000DBIKE-AAA-DA5-30-00-00AA-041A-A</a> for a functional description of the shifters.
Crank	The crank moves the power to the chain rings when the pedals operate.

---

Pedals	The pedals move the force of movement from the feet to the cranks.
Chain	The chain moves the power from the chain rings to the cogs on the freewheel. Refer to <a href="#">S1000DBIKE-AAA-DA4-10-00-00AA-251B-A</a> for the procedure on how to clean the chain.
Gears	<p>The gears have different mechanisms that function together to change the speed of the bicycle. These mechanisms include:</p> <ul style="list-style-type: none"> <li>the sprockets</li> <li>the chain</li> <li>the derailleur</li> </ul> <p>Refer to <a href="#">S1000DBIKE-AAA-DA5-00-00-00AA-041A-A</a> for a functional description of the gear system.</p>
Chain rings	The chain rings (also known as the 'chain wheel') pull on the chain when the cranks turn.
Derailleur	A derailleur moves the chain from one sprocket to another to change the gears. There are two different types of derailleur, the front and the rear. The highest ratio (highest gear) is when the chain is on the largest sprocket on the front and the smallest at the rear. To get the lowest gear, the smallest sprocket is at the front and the largest at the rear. Refer to <a href="#">S1000DBIKE-AAA-DA5-10-00-00AA-041A-A</a> for a functional description of the derailleur system.

Intentionally left blank.

## Bicycle

### *Description attributed to crew*

#### Table of contents

	Page
Description attributed to crew .....	1
References .....	1
1 Introduction .....	1
2.1 Controls .....	1
2.2 Steering .....	1
2.3 Shifters .....	2
2.4 Brakes .....	2
2.5 Pedals .....	2

#### List of tables

1	References .....	1
2	shifter correlation .....	2
3	brake lever correlation .....	2

### *References*

*Table 1 References*

Data module / Technical publication	Title
<a href="#">S1000DBIKE-AAA-DA5-30-00-00AA-041A-A</a>	Shifters – Description of how it is made

## 1 Introduction

Data about the bicycle and its control system is given in this document. This data will help you operate the bicycle.

## 2

### 2.1 Controls

Data about the controls that follow is given in this document:

- [Para 2.2](#)
- [Para 2.3](#)
- [Para 2.4](#)
- [Para 2.5](#)

### 2.2 Steering

The handlebars are used to steer the bike. They are at the front of the bicycle. You hold one of the handlebar grips with each hand and move the handle bar to change the direction of the bike.

## 2.3 Shifters

The gears control the ratio of pedal rotation to wheel rotation. You can change this with the shifters [S1000DBIKE-AAA-DA5-30-00-00AA-041A-A](#) . The shifters are on the handlebar.

A description of the two [Table 2](#) follows.

*Table 2 shifter correlation*

Shifter Location	Affected Gears
Left	The buttons on the left shifter changes the gears on the front derailleur.
Right	The buttons on the right shifter changes the gears on the rear derailleur.

## 2.4 Brakes



You can decrease the speed of the bike with the brakes. You operate the brakes with the brake levers on the handlebar.

A description of the [Table 3](#) follows.

*Table 3 brake lever correlation*

Brake Lever Location	Affected Brake
Left	This lever operates the front brake.
Right	This lever operates the rear brake.

## 2.5 Pedals

The ci-0004 are at the bottom of the seat tube. You operate the ci-0004 to move the bicycle forward.

# Mountain bicycle

## Applicability cross-reference table catalog

### Table of contents

	Page
Applicability cross-reference table catalog .....	1
References .....	1
Applicability cross-reference table .....	1

### List of tables

1	References .....	1
2	Applicability cross-reference table references .....	1
3	Product definition relationships .....	1

### References

Table 1 References

Data module / Technical publication	Title
None	

### Applicability cross-reference table

Table 2 Applicability cross-reference table references

Data module	Title
<a href="#">S1000DBIKE-AAA-D00-00-00-00AA-00WA-D</a>	
<a href="#">BRAKE-AAA-D00-00-00-00AA-00WA-D</a>	

Table 3 Product definition relationships

Data module	Type	Values	Data module	Association type
<b>brakeSerialNo</b>	Product attribute		<a href="#">S1000DBIKE-AAA-D00-00-00-00AA-00WA-D</a>	
serialNo	Product attribute		<a href="#">BRAKE-AAA-D00-00-00-00AA-00WA-D</a>	Alias
<b>brakeModel</b>	Product attribute		<a href="#">S1000DBIKE-AAA-D00-00-00-00AA-00WA-D</a>	
model	Product attribute		<a href="#">BRAKE-AAA-D00-00-00-00AA-00WA-D</a>	External reference

Intentionally left blank.



## Bicycle

### *Pre-operation procedures (crew)*

#### Table of contents

	Page
Pre-operation procedures (crew) .....	1
References .....	1
Preliminary requirements .....	1
Procedure .....	2
Requirements after job completion .....	6

#### List of tables

1	References .....	1
2	Required conditions .....	1
3	Required persons .....	2
4	Support equipment .....	2
5	Consumables, materials and expendables .....	2
6	Spares .....	2
7	Required conditions .....	6

#### List of figures

1	Hydraulic brake function .....	3
2	Brake pad seating .....	4

### *References*

*Table 1 References*

Data module / Technical publication	Title
S1000DBIKE-AAA-DA4-10-00-00AA-251B-A	Chain – Clean with chain cleaning fluid

### *Preliminary requirements*

#### Required conditions

*Table 2 Required conditions*

Action / Condition	Data module / Technical publication
None	

Applicable to: Mountain bicycle  
and (Mountain storm Mk1 or  
Brook trekker Mk9)

**S1000DBIKE-AAA-D00-00-00-00AA-121A-A**

## Required persons

*Table 3 Required persons*

Persons	Category	Skill level	Trade/Trade code	Estimated time
Man A	Basic user		Operator	0,3 h

## Support equipment

*Table 4 Support equipment*

Name	Manufacturer / Part No.	Quantity	Remark
Tire pressure gauge	MFR: KZ666 /PN: BSK-TLST-001-01	1 EA	
Specialist toolset	MFR: KZ666 /PN: BSK-TLST-001	1 EA	

## Consumables, materials and expendables

*Table 5 Consumables, materials and expendables*

Name	Manufacturer / Part No.	Quantity	Remark
General lubricant	MFR: KZ222 /PN: LL-001	As required	

## Spares

*Table 6 Spares*

Name	Manufacturer / Part No.	Quantity	Remark
None			

## Safety conditions

None

## Procedure

- 1 Examine the condition of the brakes.
  - 1.1 Open the brake quick release.
  - 1.2 Examine the condition and the thickness of the brake pads.
    - 1.2.1 Make sure that there is a large quantity of rubber left.
    - 1.2.2 Make sure that the pad is not too hard.
  - 1.3 Clean all the unwanted material.

2 Do an inspection of the installation of the brakes.

2.1 Check the hydraulic brake system function.

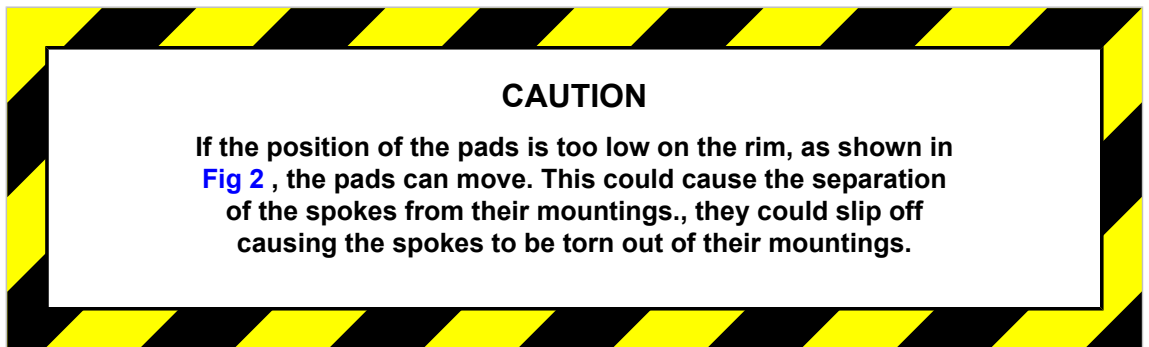


ICN-S1000DBIKE-AAA-DA10000-0-U8025-00537-A-03-1

Fig 1, Other Hydraulic brake function

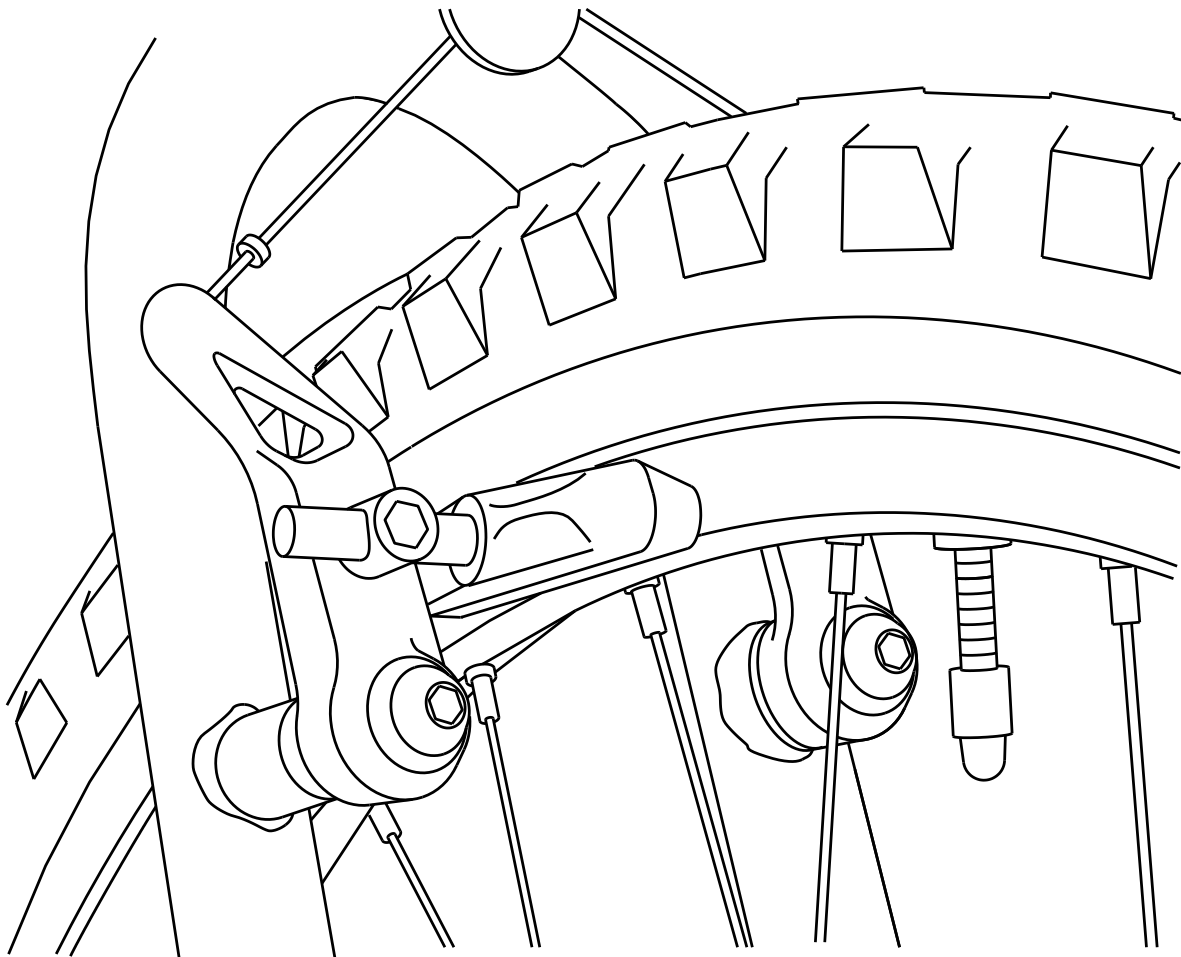
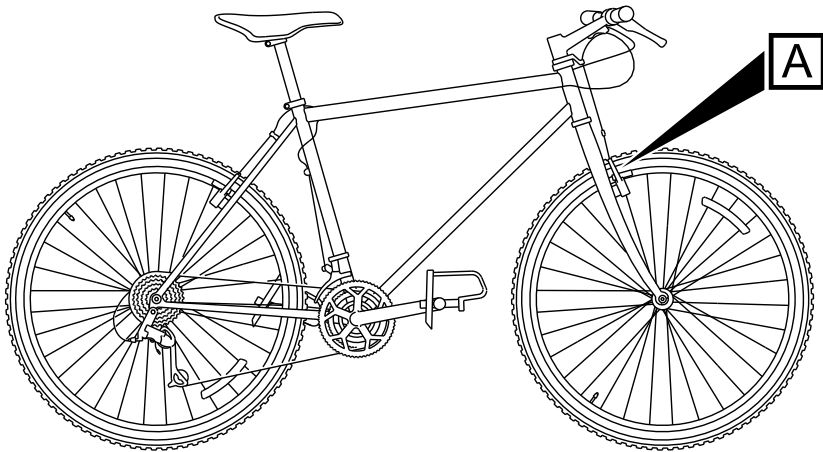
2.2 Make sure that there is sufficient clearance between the pad and the inner diameter of the brake surface.

2.3



This is a draft copy of Issue 000-01  
Printed 2021-09-27 12:56

Produced by Docuneering Ltd using the S1000D - Publication Builder



A

ICN-S1000DBIKE-AAA-DA10000-0-U8025-00515-A-04-1

Fig 2 Brake pad seating

- 
- Make sure that the pads are correctly installed in the center of the inner diameter of the brake surface.
  - 3 Do a check of the tire pressure.
  - 3.1 Do a check of the tire pressure with the [Tire pressure gauge](#) .
  - 3.2 Compare the value you read with the recommended pressure that is shown into the sidewall of the tire.
  - 3.3 Add the necessary air.
  - 4 Examine the condition of the wheels.
  - 4.1 Examine the rims for bulges and dents.
  - 4.2 Examine for splits at the seam where an extruded rim is bonded.
  - 5 Do a check of the headset bearings.
  - 5.1 Straddle the bicycle.
    - Apply the front brakes and push the handle bars forward.
  - 5.2 Make sure that the headset bearings are tight.
  - 6 Do the checks on the chain.
  - 6.1 Visually examine the chain.
    - If the chain is too dirty, clean it as specified in the clean chain task (refer to [S1000DBIKE-AAA-DA4-10-00-00AA-251B-A](#) ).
  - 6.1.1 Visually examine the chain for links that are frozen or that do not move easily.
  - 6.1.2 Apply the necessary [General lubricant](#) .
  - 6.2 Do a check of the chain to make sure that it is tight.
    - 6.2.1 Make sure that the play of the chain is not too much.
      - 6.2.1.1 Move the chain on the largest chain ring.
      - 6.2.1.2 Try to pull the chain away from the front of the chain ring.
        - Make sure that the chain is not loose. Tighten the chain if, when you pull it away from the chain ring, you can see a full tooth.
    - 6.2.2 Tighten the chain with the Allen wrench from the [Specialist toolset](#).

---

***Requirements after job completion*****Required conditions***Table 7 Required conditions*

<b>Action / Condition</b>	<b>Data module / Technical publication</b>
None	

**Bicycle**

***Riding a bicycle***

**This is a "process" Data Module**

**The Docuneering S1000D XSL-FO Stylesheets  
do not yet support the "process" Data Module**

This is a draft copy of Issue 000-01  
Printed 2021-09-27 12:56

Produced by Docuneering Ltd using the S1000D - Publication Builder

Intentionally left blank.



## Bicycle

### *Normal operation procedures (crew)*

#### Table of contents

	Page
Normal operation procedures (crew) .....	1
References .....	1

#### List of tables

1	References .....	1
2	Correlation of tire pressure and terrain .....	2

### *References*

Table 1 References

Data module / Technical publication	Title
None	

### *Pre-ride inspection*

#### Brakes

##### **Pads**

- 1 Pads..... Free of unwanted material
- 2 Pads..... Acceptable pad width
- 3 Pads..... Acceptable pad clearance

##### **Callipers**

- 1 Link Wire..... Firmly attached

##### **Levers**

- 1 Levers..... Approximately 1 inch of travel before engagement
- 2 Levers..... Space between lever and handlebar when fully pulled

##### **Cables**

- 1 Cables..... No cuts or fraying

**Tires**

- 1 Pressure..... *Table 2 Correlation of tire pressure and terrain*

<b>Tire Pressures</b>	<b>Min</b>	<b>Max</b>
Off Road	35lbs	40lbs
On Road	55lbs	60lbs

- 2 Tires..... No cracks or splits

**Wheels**

- 1 Wheels..... No loose bearings
- 2 Wheels..... True
- 3 Spokes..... Not broken

*If: Spokes not broken*

- 4 Spokes..... Tight
- 5 Axle Nuts..... Tight

**Headset**

- 1 Headset bearings..... Tight

**Chain**

- 1 Links..... Easy movement of links

**Handlebar**



*If: Stem cracked*

- 1 Procedure  
Replace stem

*Else if: Stem is loose*

- 1 Procedure  
Tighten stem

*If: Handlebars twist in stem*

- 2 Procedure  
Tighten clamp bolt

Computer

1 Computer Display..... *Applicable to: Mountain storm Mk1*

ALTITUDE 0 miles

SPEED 0 mph

DISTANCE 0 miles

*Applicable to: Brook trekker Mk9*

SPEED 0 mph

DISTANCE 0 miles

This is a draft copy of Issue 000-01  
Printed 2021-09-27 12:56

Produced by Docuneering Ltd using the S1000D - Publication Builder

Intentionally left blank.

## Bicycle

### *Post-operation procedures (crew)*

#### Table of contents

	Page
Post-operation procedures (crew) .....	1
References .....	1
Preliminary requirements .....	1
Procedure .....	2
Requirements after job completion .....	3

#### List of tables

1	References .....	1
2	Required conditions .....	1
3	Support equipment .....	1
4	Consumables, materials and expendables .....	2
5	Spares .....	2
6	Required conditions .....	3

### *References*

*Table 1 References*

Data module / Technical publication	Title
None	

### *Preliminary requirements*

#### Required conditions

*Table 2 Required conditions*

Action / Condition	Data module / Technical publication
None	

#### Support equipment

*Table 3 Support equipment*

Name	Manufacturer / Part No.	Quantity	Remark
Specialist toolset	MFR: KZ666 /PN: BSK-TLST-001	1 EA	

Applicable to: Mountain bicycle  
and (Mountain storm Mk1 or  
Brook trekker Mk9)

**S1000DBIKE-AAA-D00-00-00-00AA-151A-A**

## Consumables, materials and expendables

*Table 4 Consumables, materials and expendables*

Name	Manufacturer / Part No.	Quantity	Remark
General lubricant	MFR: KZ222 /PN: LL-001	As required	

## Spares

*Table 5 Spares*

Name	Manufacturer / Part No.	Quantity	Remark
None			

## Safety conditions

None

## ***Procedure***

- 1 Clean the bicycle.
  - 1.1 Clean the bicycle with water.
  - 1.2 Use the brush from the [Specialist toolset](#) to clean the brakes, the shift levers, the sprockets and the tires.
  - 1.3 Let the bicycle dry.
- 2 Lubricate the bicycle
  - 2.1 Spray the [General lubricant](#), to these moving parts:
    - the brake pivots
    - the derailleur pivots
    - the derailleur tension guides
    - the brake lever pivots
    - the control cables
    - the gear sprockets
    - the chain
  - 2.2 Remove the lubricant which is more than the necessary.

---

## *Requirements after job completion*

### Required conditions

*Table 6 Required conditions*

Action / Condition	Data module / Technical publication
None	

This is a draft copy of Issue 000-01  
Printed 2021-09-27 12:56

Produced by Docuneering Ltd using the S1000D - Publication Builder

Intentionally left blank.



**Bicycle**

***Servicing: Attention***

**This is a "learning" Data Module**

**The Docuneering S1000D XSL-FO Stylesheets  
do not yet support the "learning" Data Module**

This is a draft copy of Issue 000-01  
Printed 2021-09-27 12:56

Produced by Docuneering Ltd using the S1000D - Publication Builder

Intentionally left blank.

## **Bicycle**

### ***Servicing: Prerequisite concept review***

**This is a "learning" Data Module**

**The Docuneering S1000D XSL-FO Stylesheets  
do not yet support the "learning" Data Module**

This is a draft copy of Issue 000-01  
Printed 2021-09-27 12:56

Produced by Docuneering Ltd using the S1000D - Publication Builder

Intentionally left blank.

## Bicycle

### *Other procedures to clean*

#### Table of contents

	Page
Other procedures to clean .....	1
References .....	1
Preliminary requirements .....	1
Procedure .....	4
Requirements after job completion .....	7

#### List of tables

1	References .....	1
2	Required conditions .....	1
3	Required persons .....	2
4	Required persons .....	2
5	Support equipment .....	2
6	Consumables, materials and expendables .....	2
7	Spares .....	2
8	Required conditions .....	7

#### List of figures

1	Cleaning the bike .....	4
2	Degreasing the freehub .....	6

### *References*

*Table 1 References*

Data module / Technical publication	Title
<a href="#">S1000DBIKE-AAA-DA4-10-00-00AA-241A-A</a>	Chain – Oil

### *Preliminary requirements*

#### Required conditions

*Table 2 Required conditions*

Action / Condition	Data module / Technical publication
The bicycle is outdoors	

Applicable to: Mountain bicycle  
and (Mountain storm Mk1 or  
Brook trekker Mk9)

**S1000DBIKE-AAA-D00-00-00-00AA-258A-A**

*Applicable to: Mountain bicycle Brook trekker Mk9*

## Required persons

*Table 3 Required persons*

Persons	Category	Skill level	Trade/Trade code	Estimated time
Man A	Chemical technician	Intermediate	Bike cleaner	1,0 h

*Applicable to: Mountain bicycle Mountain storm Mk1*

## Required persons

*Table 4 Required persons*

Persons	Category	Skill level	Trade/Trade code	Estimated time
Man B	Operator	Intermediate	Bike rider	1,0 h

## Support equipment

*Table 5 Support equipment*

Name	Manufacturer / Part No.	Quantity	Remark
Water hose	MFR: KZ666 /PN: BSK-TLST-001-09	1 EA	
Stiff bristle brush	MFR: KZ666 /PN: BSK-TLST-001-02	1 EA	
Sponge	MFR: KZ666 /PN: BSK-TLST-001-11	1 EA	

## Consumables, materials and expendables

*Table 6 Consumables, materials and expendables*

Name	Manufacturer / Part No.	Quantity	Remark
Degreasing agent	MFR: KZ222 /PN: LL-004	1 L	
Detergent A	MFR: KZ666 /PN: BSK-TLST-023-14	1 L	
<i>Applicable to: Mountain bicycle Brook trekker Mk9</i>			
Detergent B	MFR: KZ666 /PN: BSK-TLST-001-15	1 L	

## Spares

*Table 7 Spares*

Name	Manufacturer / Part No.	Quantity	Remark
None			

---

## Safety conditions



### WARNING

Do not get **Detergent A** into your eyes. If it gets into your eyes, wash them immediately in clean warm water.



### WARNING

Do not get **Detergent B** into your eyes. If it gets into your eyes, wash them immediately in clean warm water.



### CAUTION

Do not use a **Water hose** that has high pressure. A water hose that has high pressure can cause some parts to become loose or full of water.



### CAUTION

Do not point the hose directly at the hub or at the bottom bracket bearings. This can cause damage to the parts.



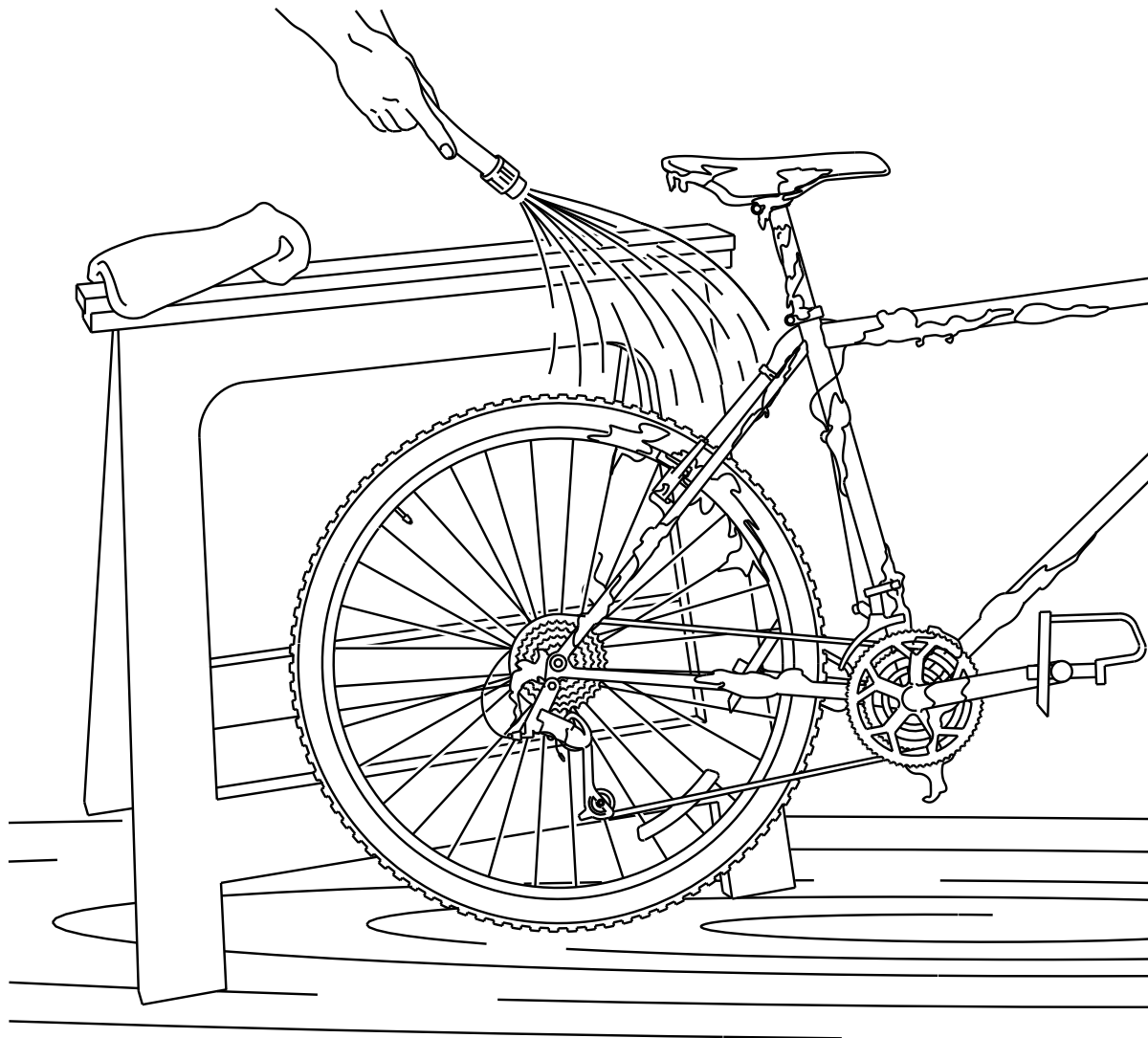
### CAUTION

Apply **Detergent B** in accordance with the instruction on the container. The substance may cause damage to the Bike paint if it is not applied correctly.

---

## Procedure

- 1 Clean the bicycle with water to remove all dirt. Refer to [Fig 1](#).



ICN-S1000DBIKE-AAA-D000000-0-U8025-00502-A-04-1

*Fig 1 Cleaning the bike*

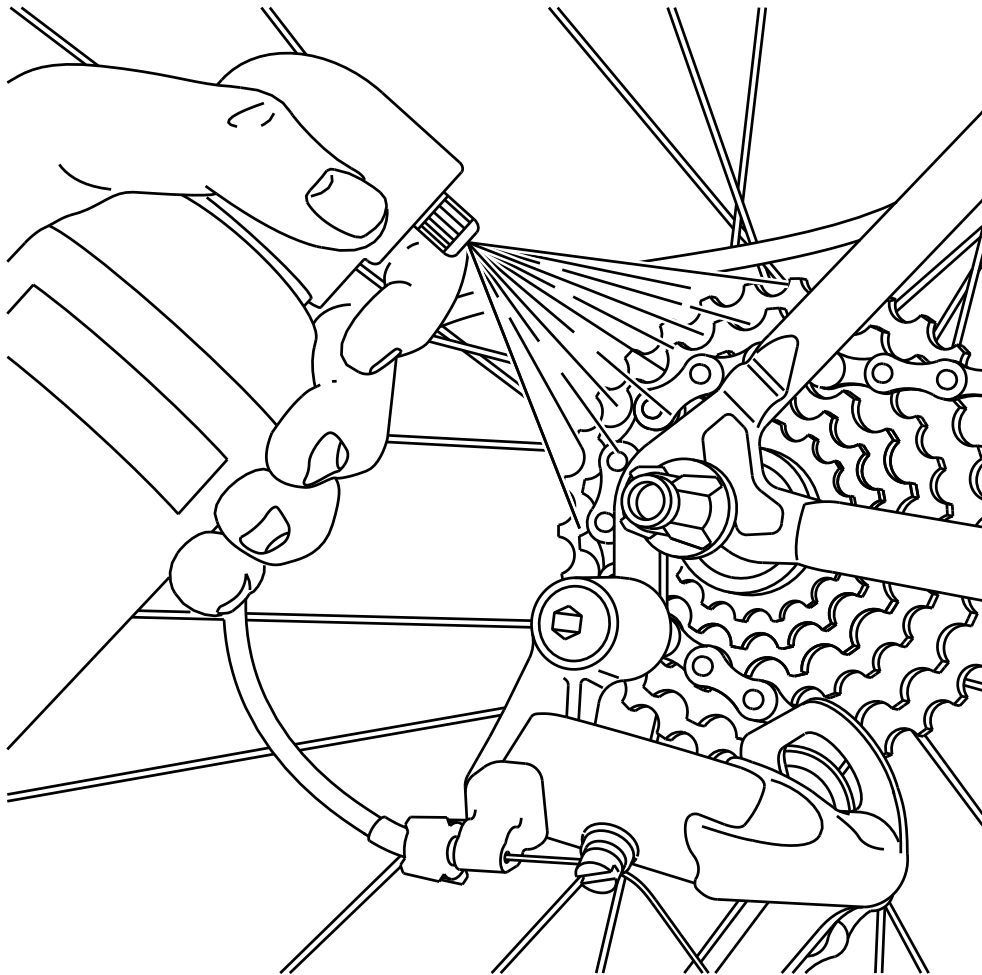
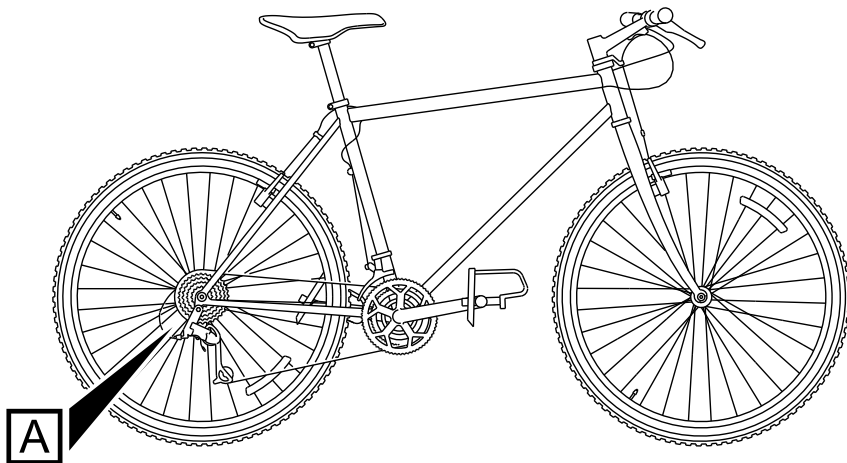
- 2 Use a [Stiff bristle brush](#) to get access to areas that are not easy to clean. These are the shift levers, the knobby tires, and the brakes.
- 3 Clean the caked grime from the chain and the sprockets with a screwdriver that has a small blade.
- 4 Remove the grease from the freewheel assembly with the [Degreasing agent](#) as shown in [Fig 2](#) . Use a brush to remove the grease from these parts:
  - sprockets
  - guide and tension wheels of the derailleur



- 
- chain ring teeth

This is a draft copy of Issue 000-01  
Printed 2021-09-27 12:56

Produced by Docuneering Ltd using the S1000D - Publication Builder



ICN-S1000DBIKE-AAA-DA52000-0-U8025-00523-A-04-1

Fig 2 Degreasing the freehub

5 Flush the sprockets, the derailleurs, the chain rings and the chain with water.

**Note 1**

If necessary, do the flush procedure again.

*Applicable to: Mountain bicycle Mountain storm Mk1*

## 6 Wash the Bike

6.1 Soak the [Sponge](#) into [Detergent A](#) and water.

6.2 Clean the bicycle with the soaked sponge.

6.3 Flush the bicycle and make sure that all [Detergent A](#) is removed.

6.4 Move the bicycle up and down on its tires to remove all water.

*Applicable to: Mountain bicycle Brook trekker Mk9*

## 7 Wash the Bike

7.1 Soak the [Sponge](#) into [Detergent B](#) and water.

7.2 Clean the bicycle with the soaked sponge.

7.3 Soak the [Sponge](#) into [Detergent A](#) and water.

7.4 Fully clean the bicycle with the soaked sponge.

7.5 Flush the bicycle to make sure that all detergents are removed.

7.6 Move the bicycle up and down on its tires to remove all water.

8 Lubricate the bicycle (refer to [S1000DBIKE-AAA-DA4-10-00-00AA-241A-A](#)).

## Requirements after job completion

### Required conditions

Table 8 Required conditions

Action / Condition	Data module / Technical publication
Make sure the bicycle is dry	

Intentionally left blank.

## Bicycle

### *Other procedures to clean*

#### Table of contents

	Page
Other procedures to clean .....	1
References .....	1
Preliminary requirements .....	1
Procedure .....	4
Requirements after job completion .....	7

#### List of tables

1	References .....	1
2	Required conditions .....	1
3	Required persons .....	2
4	Required persons .....	2
5	Support equipment .....	2
6	Consumables, materials and expendables .....	2
7	Spares .....	2
8	Required conditions .....	7

#### List of figures

1	Cleaning the bike .....	4
2	Degreasing the freehub .....	6

### *References*

*Table 1 References*

Data module / Technical publication	Title
<a href="#">S1000DBIKE-AAA-DA4-10-00-00AA-241A-A</a>	Chain – Oil

### *Preliminary requirements*

#### Required conditions

*Table 2 Required conditions*

Action / Condition	Data module / Technical publication
The bicycle is outdoors	

Applicable to: Mountain bicycle  
and (Mountain storm Mk1 or  
Brook trekker Mk9)

**S1000DBIKE-AAA-D00-00-00-00AA-258B-A**

*Applicable to: Mountain bicycle Brook trekker Mk9*

## Required persons

*Table 3 Required persons*

Persons	Category	Skill level	Trade/Trade code	Estimated time
Man A	Chemical technician	Intermediate	Bike cleaner	1,0 h

*Applicable to: Mountain bicycle Mountain storm Mk1*

## Required persons

*Table 4 Required persons*

Persons	Category	Skill level	Trade/Trade code	Estimated time
Man B	Operator	Intermediate	Bike rider	1,0 h

## Support equipment

*Table 5 Support equipment*

Name	Manufacturer / Part No.	Quantity	Remark
Water hose	MFR: KZ666 /PN: BSK-TLST-001-09	1 EA	
Stiff bristle brush	MFR: KZ666 /PN: BSK-TLST-001-02	1 EA	
Sponge	MFR: KZ666 /PN: BSK-TLST-001-11	1 EA	

## Consumables, materials and expendables

*Table 6 Consumables, materials and expendables*

Name	Manufacturer / Part No.	Quantity	Remark
Degreasing agent	MFR: KZ222 /PN: LL-004	1 L	
Detergent A	MFR: KZ666 /PN: BSK-TLST-023-14	1 L	
<i>Applicable to: Mountain bicycle Brook trekker Mk9</i>			
Detergent B	MFR: KZ666 /PN: BSK-TLST-001-15	1 L	

## Spares

*Table 7 Spares*

Name	Manufacturer / Part No.	Quantity	Remark
None			

---

## Safety conditions

**WARNING**

Do not get **Detergent A** into your eyes. If it gets into your eyes, wash them immediately in clean warm water.

**WARNING**

Do not get **Detergent B** into your eyes. If it gets into your eyes, wash them immediately in clean warm water.

**CAUTION**

Do not use a **Water hose** that has high pressure. A water hose that has high pressure can cause some parts to become loose or full of water.

**CAUTION**

Do not point the hose directly at the hub or at the bottom bracket bearings. This can cause damage to the parts.

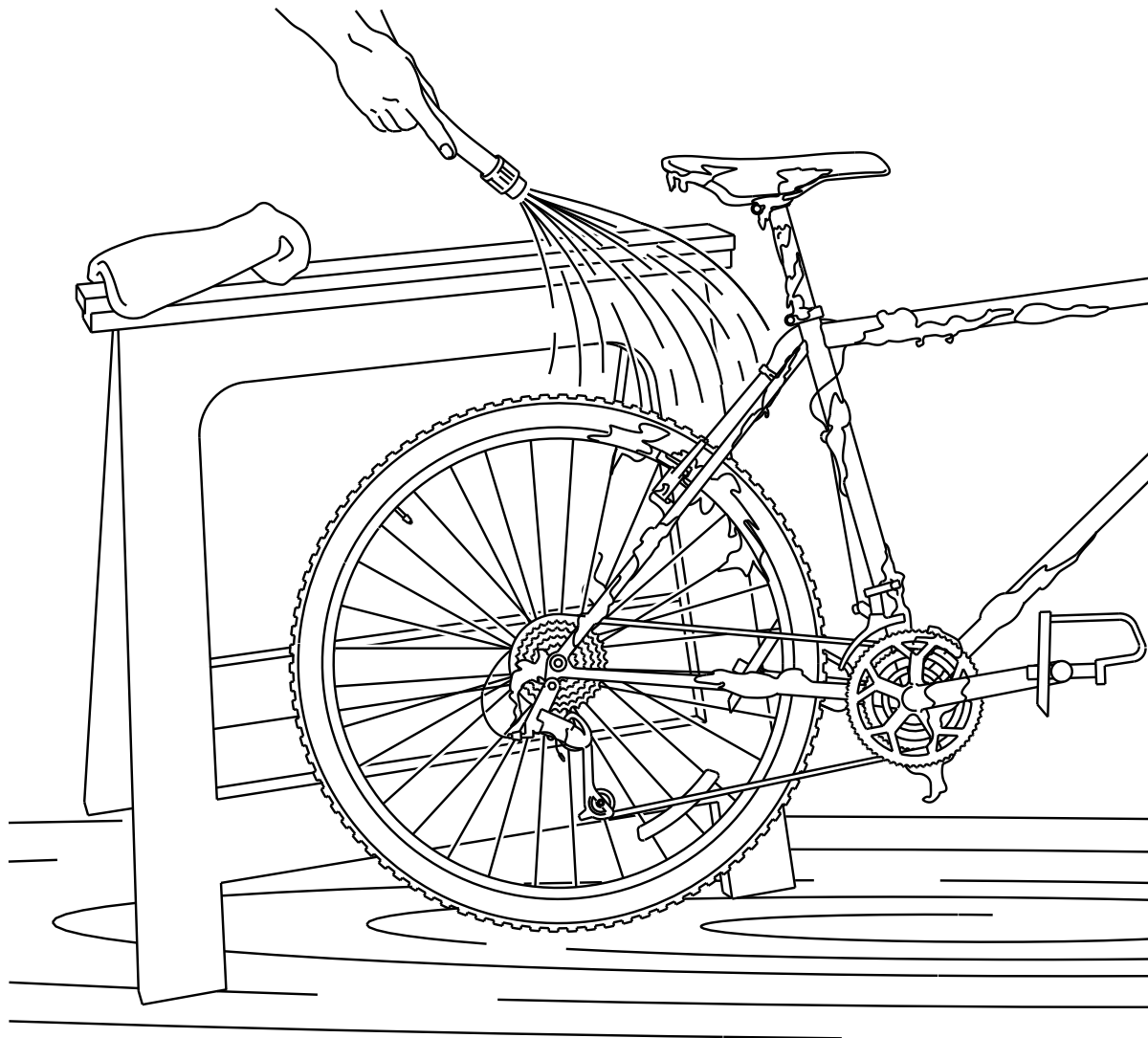
**CAUTION**

Apply **Detergent B** in accordance with the instruction on the container. The substance may cause damage to the Bike paint if it is not applied correctly.

---

## Procedure

- 1 Clean the bicycle with water to remove all dirt. Refer to [Fig 1](#).



ICN-S1000DBIKE-AAA-D000000-0-U8025-00502-A-04-1

*Fig 1 Cleaning the bike*

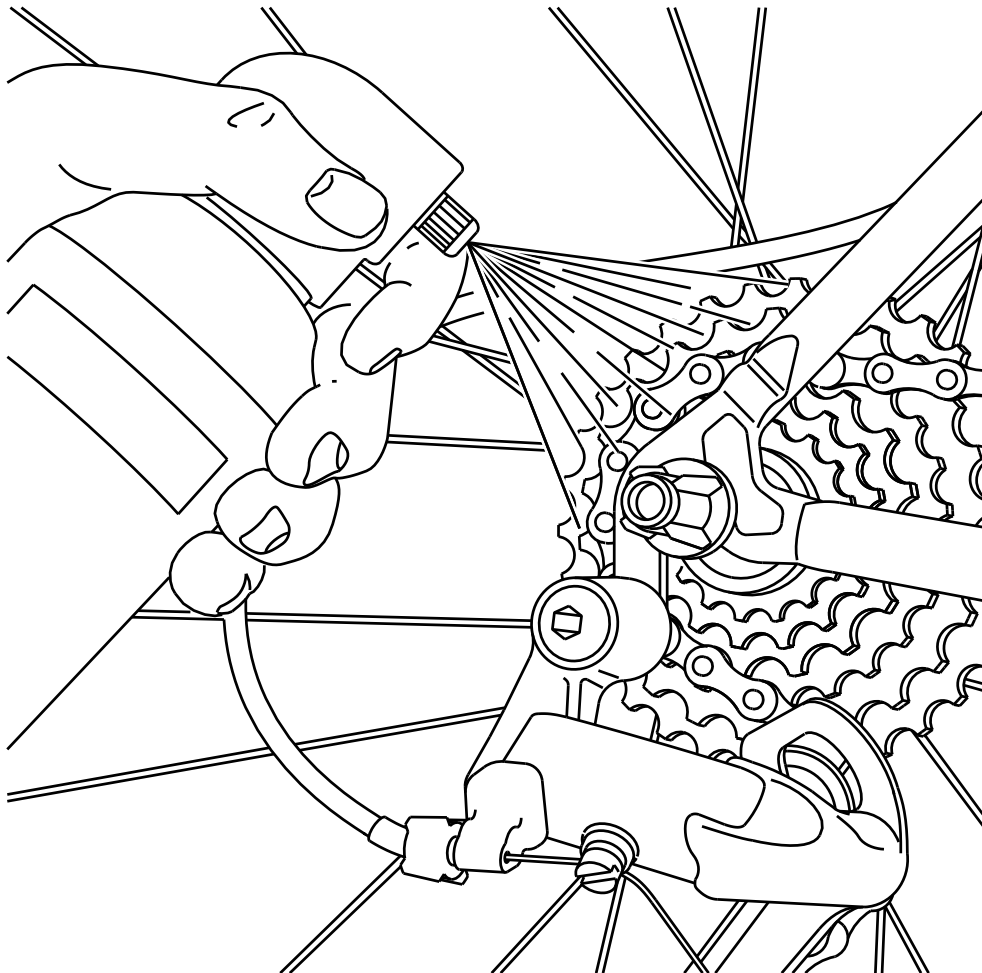
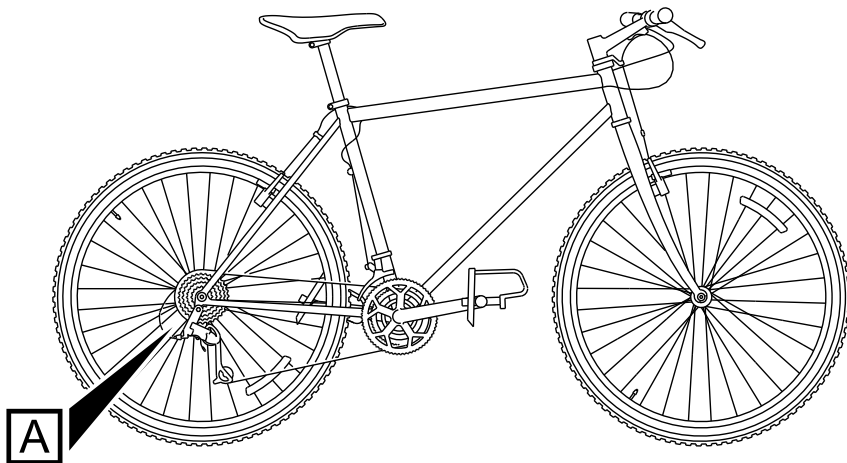
- 2 Use a [Stiff bristle brush](#) to get access to areas that are not easy to clean. These are the shift levers, the knobby tires, and the brakes.
- 3 Clean the caked grime from the chain and the sprockets with a screwdriver that has a small blade.
- 4 Remove the grease from the freewheel assembly with the [Degreasing agent](#) as shown in [Fig 2](#) . Use a brush to remove the grease from these parts:
  - sprockets
  - guide and tension wheels of the derailleur



- 
- chain ring teeth

This is a draft copy of Issue 000-01  
Printed 2021-09-27 12:56

Produced by Docuneering Ltd using the S1000D - Publication Builder



ICN-S1000DBIKE-AAA-DA52000-0-U8025-00523-A-04-1

Fig 2 Degreasing the freehub

5 Flush the sprockets, the derailleurs, the chain rings and the chain with water.

**Note 1**

If necessary, do the flush procedure again.

**Applicable to:** Mountain bicycle Mountain storm Mk1

6 Wash the Bike

6.1 Soak the [Sponge](#) into [Detergent A](#) and water.

6.2 Clean the bicycle with the soaked sponge.

6.3 Flush the bicycle and make sure that all [Detergent A](#) is removed.

6.4 Move the bicycle up and down on its tires to remove all water.

**Applicable to:** Mountain bicycle Brook trekker Mk9

6 Wash the Bike

6.1 Soak the [Sponge](#) into [Detergent B](#) and water.

6.2 Clean the bicycle with the soaked sponge.

6.3 Soak the [Sponge](#) into [Detergent A](#) and water.

6.4 Fully clean the bicycle with the soaked sponge.

6.5 Flush the bicycle to make sure that all detergents are removed.

6.6 Move the bicycle up and down on its tires to remove all water.

7 Lubricate the bicycle (refer to [S1000DBIKE-AAA-DA4-10-00-00AA-241A-A](#)).

## Requirements after job completion

### Required conditions

Table 8 Required conditions

Action / Condition	Data module / Technical publication
Make sure the bicycle is dry	

Intentionally left blank.

## Bicycle

### *Place on test stand*

#### Table of contents

	Page
Place on test stand .....	1
References .....	1
Preliminary requirements .....	1
Procedure .....	2
Requirements after job completion .....	2

#### List of tables

1	References .....	1
2	Required conditions .....	1
3	Required persons .....	1
4	Support equipment .....	2
5	Consumables, materials and expendables .....	2
6	Spares .....	2
7	Required conditions .....	2

### *References*

*Table 1 References*

Data module / Technical publication	Title
None	

### *Preliminary requirements*

#### Required conditions

*Table 2 Required conditions*

Action / Condition	Data module / Technical publication
None	

#### Required persons

*Table 3 Required persons*

Persons	Category	Skill level	Trade/Trade code	Estimated time
Man A	Basic user		Operator	0,3 h

Applicable to: Mountain bicycle  
and (Mountain storm Mk1 or  
Brook trekker Mk9)

**S1000DBIKE-AAA-D00-00-00-00AA-330A-A**

## Support equipment

*Table 4 Support equipment*

Name	Manufacturer / Part No.	Quantity	Remark
Test stand	MFR: KZ666 /PN: BSK-TLST-999-01	1 EA	

## Consumables, materials and expendables

*Table 5 Consumables, materials and expendables*

Name	Manufacturer / Part No.	Quantity	Remark
None			

## Spares

*Table 6 Spares*

Name	Manufacturer / Part No.	Quantity	Remark
None			

## Safety conditions

None

### ***Procedure***

- 1 Ensure [Test stand](#) is level.
- 2 Place bicycle on the test stand.
- 3 Tighten clamps until bicycle is securely attached to the test stand.

### ***Requirements after job completion***

## Required conditions

*Table 7 Required conditions*

Action / Condition	Data module / Technical publication
None	

## Bicycle

### *Standard repair procedures*

#### Table of contents

	Page
Standard repair procedures .....	1
References .....	1
Preliminary requirements .....	1
Procedure .....	3
Requirements after job completion .....	13

#### List of tables

1	References .....	1
2	Required conditions .....	1
3	Required persons .....	2
4	Support equipment .....	2
5	Consumables, materials and expendables .....	2
6	Spares .....	2
7	Required conditions .....	13

#### List of figures

1	Unseating the tire with a tire lever .....	4
2	Circle leak .....	6
3	Sanding the application area .....	8
4	Apply glue to application area .....	10
5	Apply pressure to tube .....	12

### *References*

*Table 1 References*

Data module / Technical publication	Title
S1000DBIKE-AAA-DA0-20-00-00AA-520A-A	Rear wheel – Remove procedures

### *Preliminary requirements*

#### Required conditions

*Table 2 Required conditions*

Action / Condition	Data module / Technical publication
None	

Applicable to: Mountain bicycle  
and (Mountain storm Mk1 or  
Brook trekker Mk9)

**S1000DBIKE-AAA-D00-00-00-00AA-663A-A**

## Required persons

Table 3 Required persons

Persons	Category	Skill level	Trade/Trade code	Estimated time
Man A	Operator	Basic	Bike rider	0,5 h

## Support equipment

Table 4 Support equipment

Name	Manufacturer / Part No.	Quantity	Remark
Tire lever	MFR: KZ666 /PN: BSK-TLST-001-04	1 EA	
Foot pump	MFR: KZ666 /PN: BSK-TLST-001-05	1 EA	
Marker pen	MFR: KZ666 /PN: BSK-TLST-001-07	1 EA	
Tube patch kit	MFR: KZ666 /PN: BSK-TLST-001-07	1 EA	

## Consumables, materials and expendables

Table 5 Consumables, materials and expendables

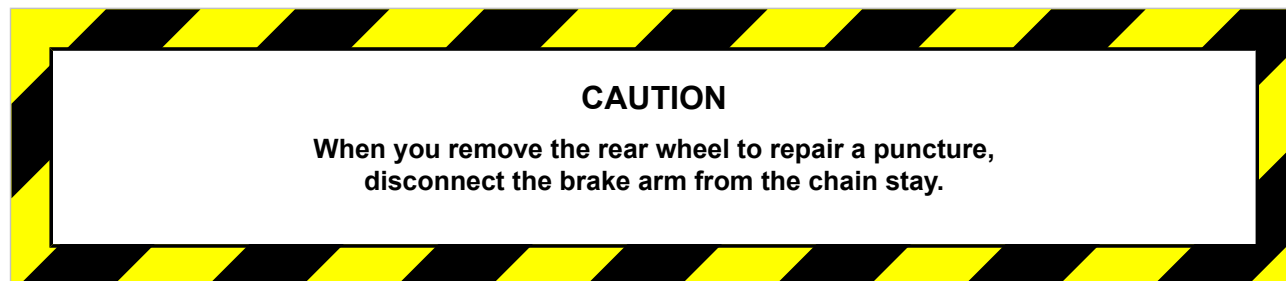
Name	Manufacturer / Part No.	Quantity	Remark
None			

## Spares

Table 6 Spares

Name	Manufacturer / Part No.	Quantity	Remark
Inner-tube	MFR: KT222 /PN: IT-001	1 EA	

## Safety conditions



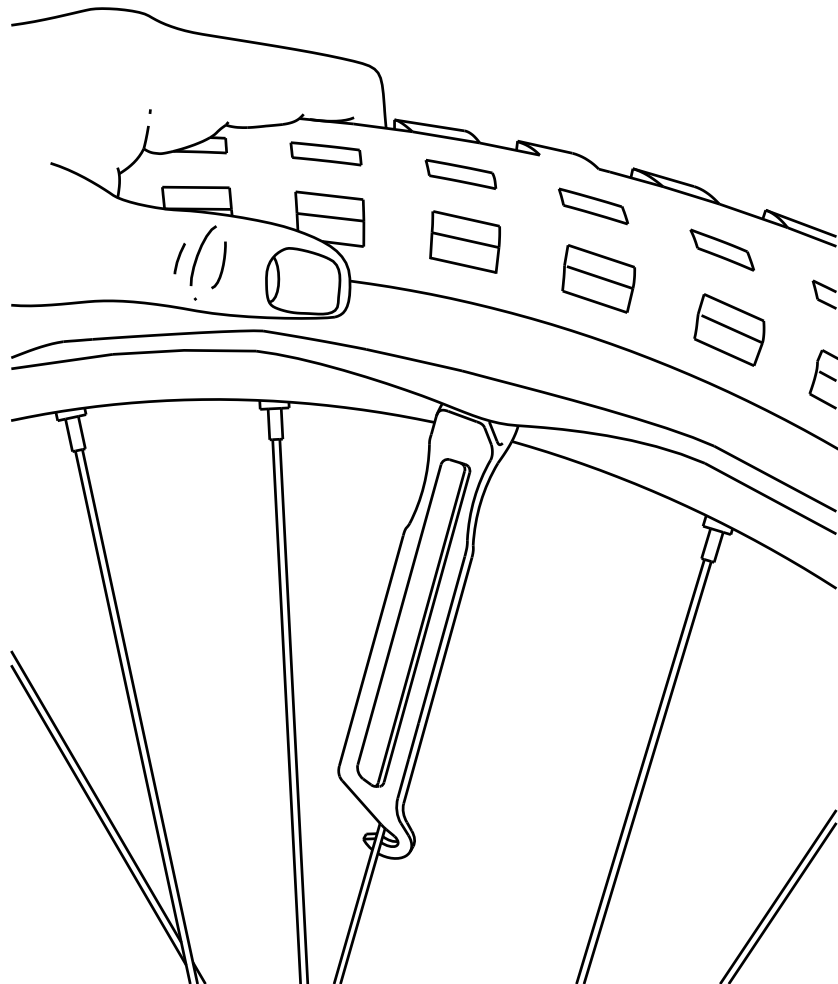
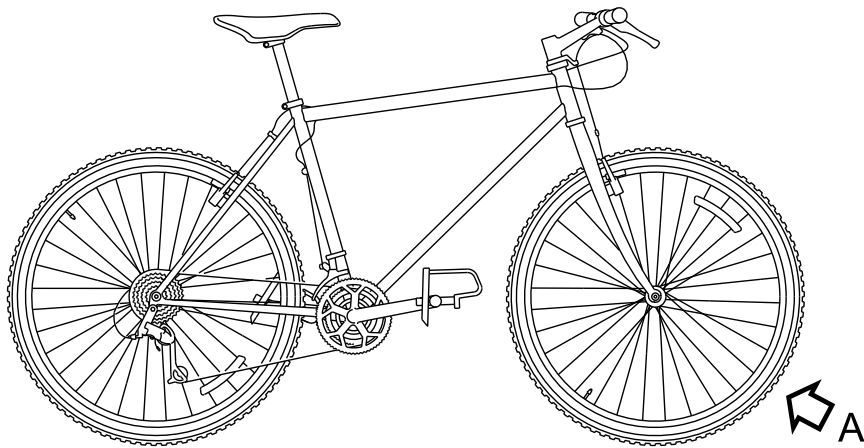


### ***Procedure***

- 1 Remove the rear wheel. (Refer to [S1000DBIKE-AAA-DA0-20-00-00AA-520A-A](#))
- 2 Make sure that there is no air in the tube.
  - 2.1 Loosen the cap on the valve stem.
  - 2.2 Push the valve stem core down to bleed all the air.
- 3 Use a [Tire lever](#) to move the tire bead out of its seat. Lift the tire bead above the lip of the rim.

This is a draft copy of Issue 000-01  
Printed 2021-09-27 12:56

Produced by Docuneering Ltd using the S1000D - Publication Builder



**A**

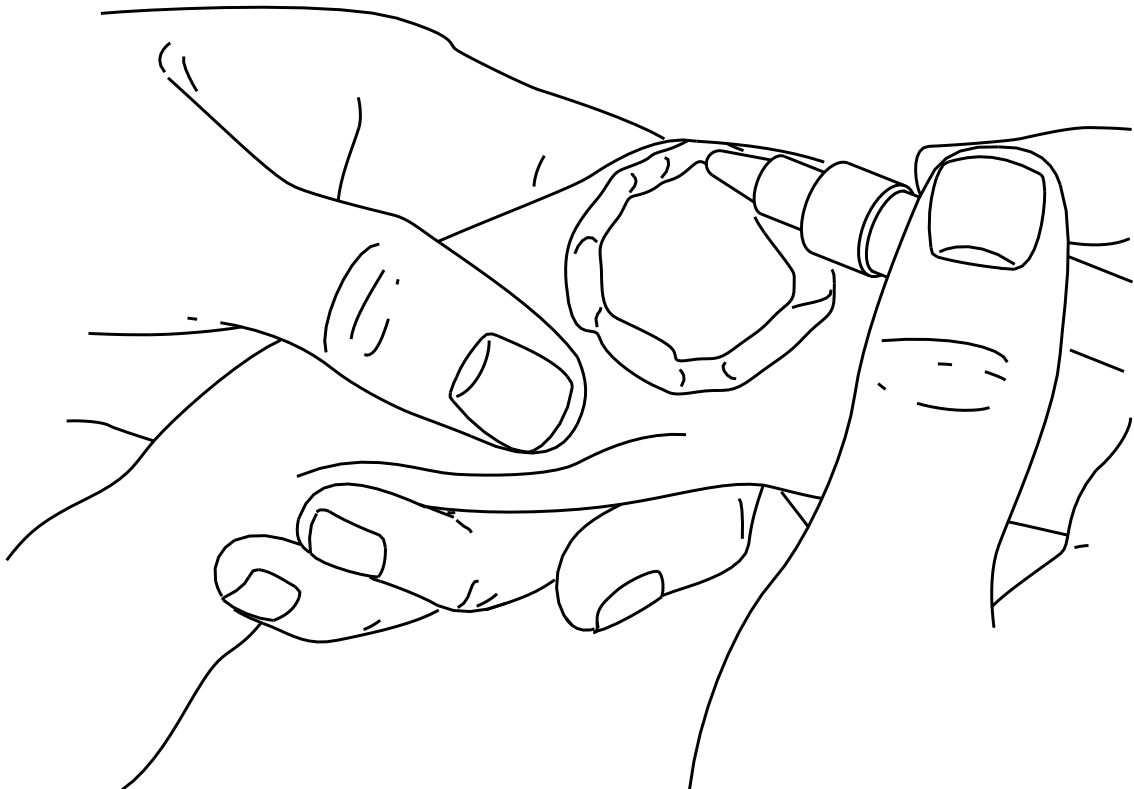
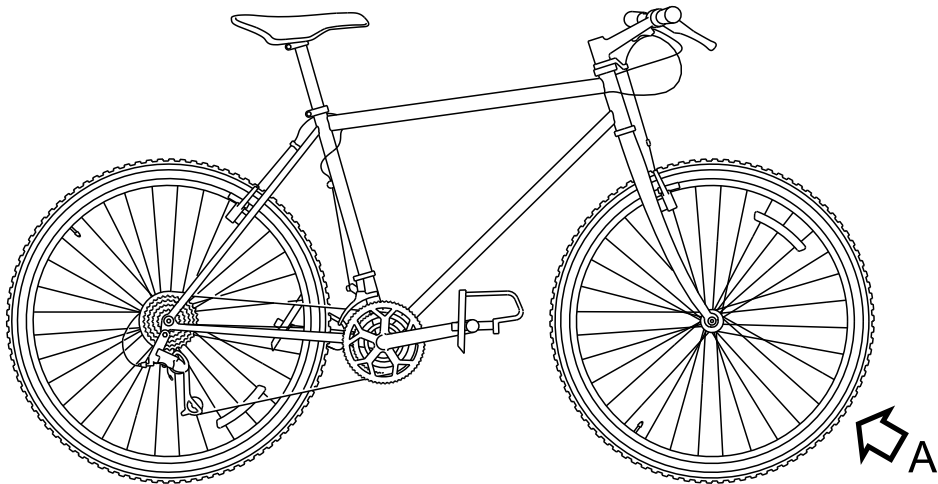
ICN-S1000DBIKE-AAA-DA00000-0-U8025-00506-A-04-1

*Fig 1 Unseating the tire with a tire lever*

- 4 Remove the tube.
- 5 Inflate (not fully) the tube with the [Foot pump](#). Examine the tube for leaks.
- 6 If you find a leak, identify it with a circle made with a [Marker pen](#).

This is a draft copy of Issue 000-01  
Printed 2021-09-27 12:56

Produced by Docuneering Ltd using the S1000D - Publication Builder



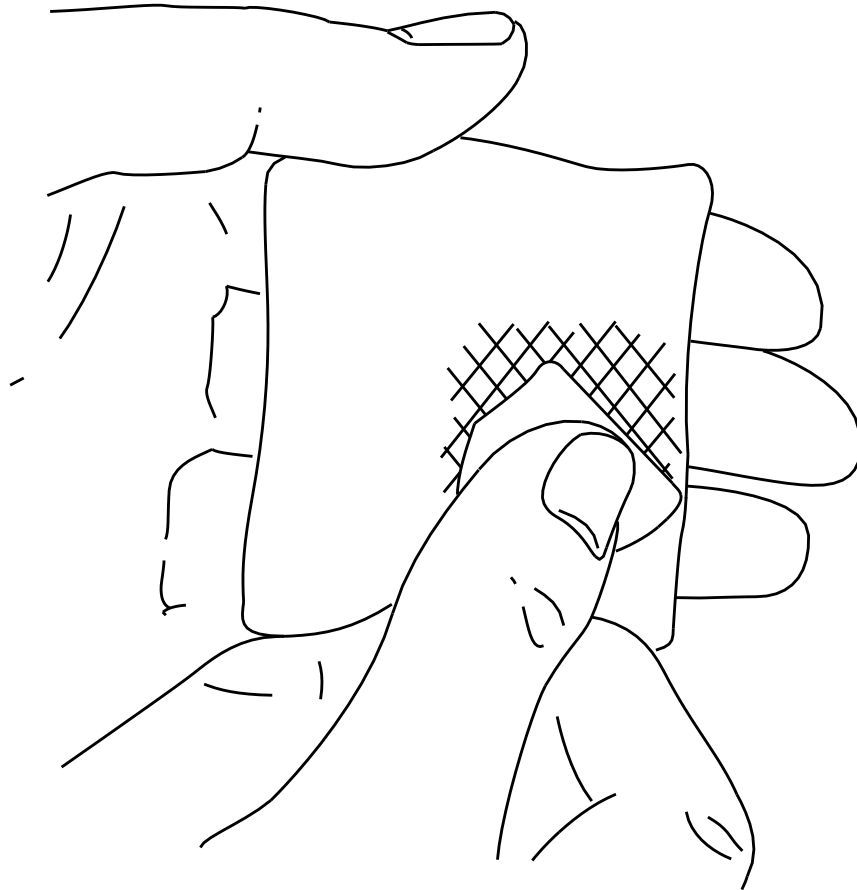
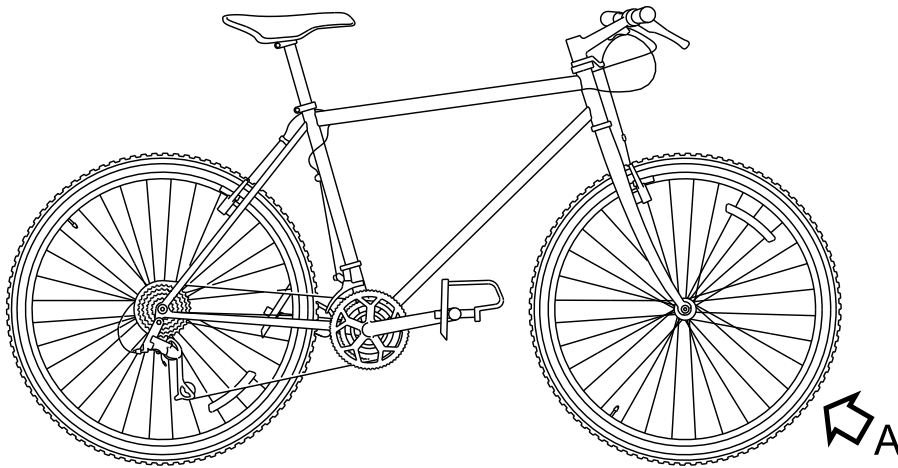
A

ICN-S1000DBIKE-AAA-DA01010-0-U8025-00508-A-04-1  
Fig 2 Circle leak

- 
- 7 Release most of the air.
  - 8 Use a piece of sandpaper from the [Tube patch kit](#) and make the area on and around the hole rough. This will help the patch bond correctly.

This is a draft copy of Issue 000-01  
Printed 2021-09-27 12:56

Produced by Docuneering Ltd using the S1000D - Publication Builder



**A**

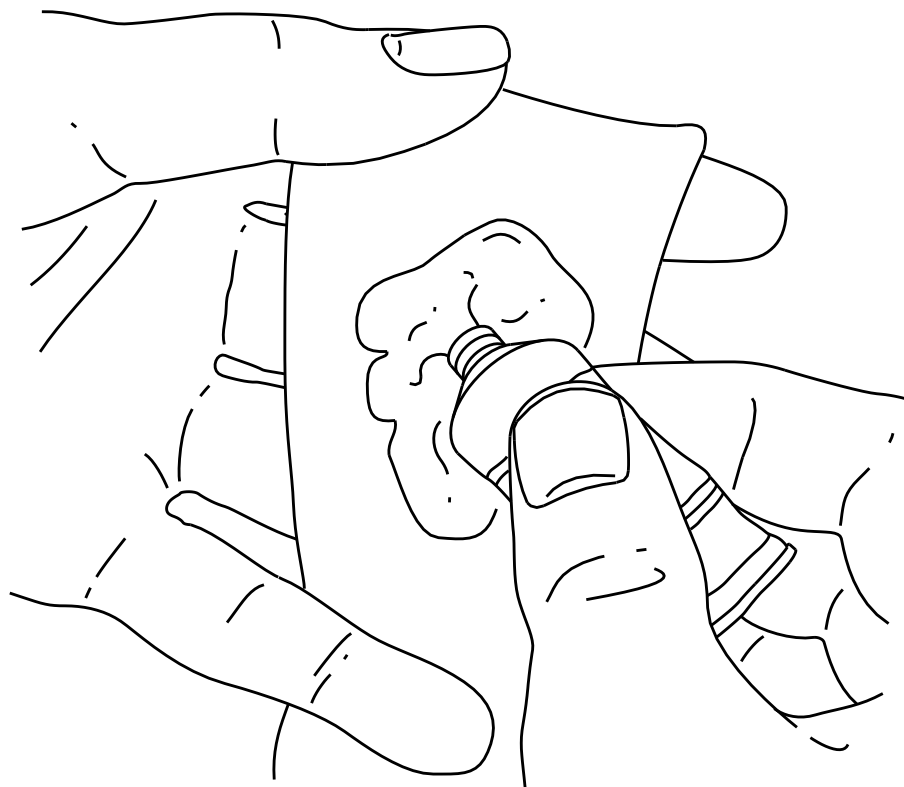
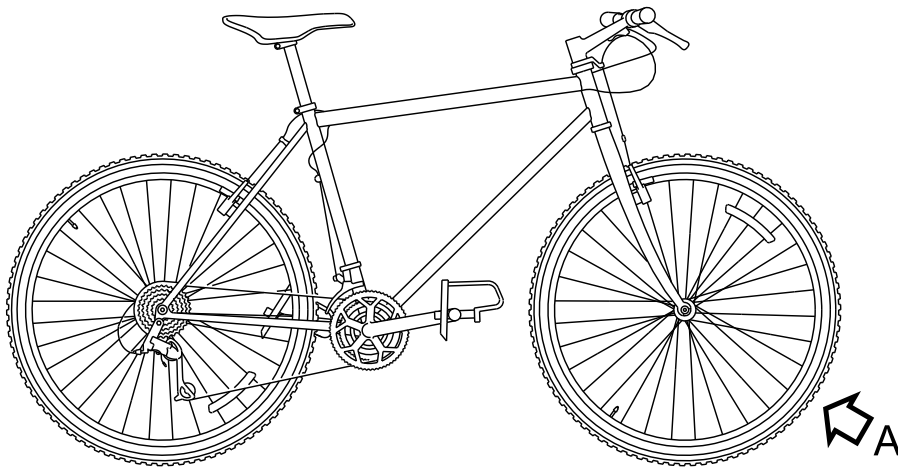
ICN-S1000DBIKE-AAA-DA01010-0-U8025-00509-A-04-1

*Fig 3 Sanding the application area*

- 
- 9 Apply a thin layer of glue from the patch kit on and around the hole. Make sure that the area with the glue is larger than the patch.

This is a draft copy of Issue 000-01  
Printed 2021-09-27 12:56

Produced by Docuneering Ltd using the S1000D - Publication Builder



A

ICN-S1000DBIKE-AAA-DA01010-0-U8025-00510-A-04-1

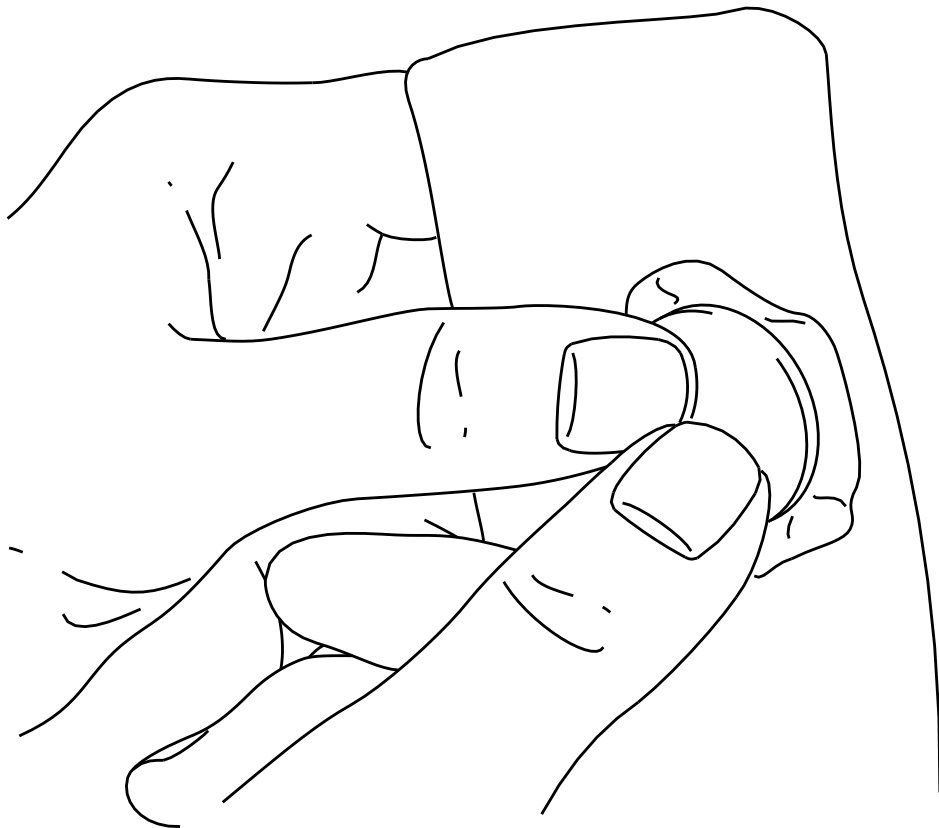
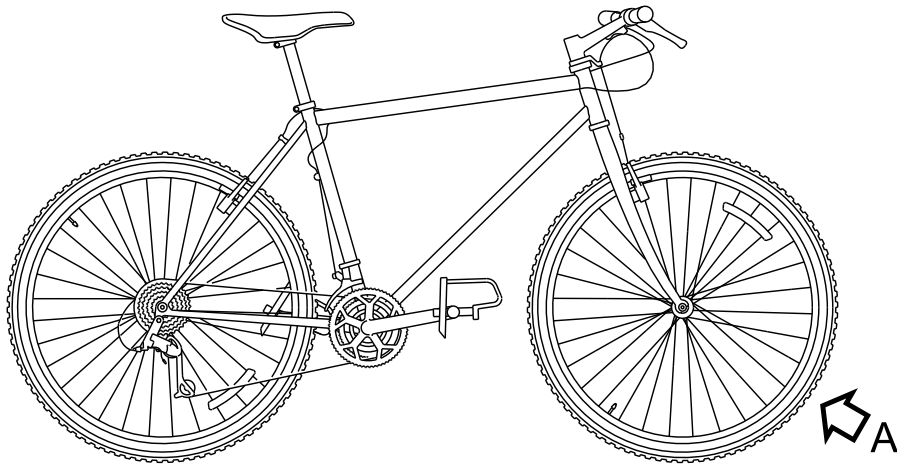
Fig 4 Apply glue to application area



- 
- 10 Let the glue dry for five minutes until it becomes tacky and dim.
  - 11 Remove the rear foil from the patch (that is a part of the patch kit) and push the patch in its position.
  - 12 Push with your thumbs from the center of the patch to the outer part of the applied area.

This is a draft copy of Issue 000-01  
Printed 2021-09-27 12:56

Produced by Docuneering Ltd using the S1000D - Publication Builder



**A**

ICN-S1000DBIKE-AAA-DA01010-0-U8025-00511-A-04-1

*Fig 5 Apply pressure to tube*

- 
- 13 Remove the thin cover from the patch.
  - 14 Put a very thin layer of talcum powder on and around the patch.
  - 15 Inflate (not fully) the repaired tube with the foot pump.
  - 16 Start at the valve stem and install the tube again between the tire and the rim.
  - 17 Push the valve stem through the hole in the rim.
  - 18 Make sure that the valve stem is straight.
  - 19 Install the remaining of the tire.

### ***Requirements after job completion***

### **Required conditions**

*Table 7 Required conditions*

<b>Action / Condition</b>	<b>Data module / Technical publication</b>
None	

Intentionally left blank.

**Bicycle**

***Performance support***

**This is a "learning" Data Module**

**The Docuneering S1000D XSL-FO Stylesheets  
do not yet support the "learning" Data Module**

This is a draft copy of Issue 000-01  
Printed 2021-09-27 12:56

Produced by Docuneering Ltd using the S1000D - Publication Builder

Intentionally left blank.

## Bicycle

### *Illustrated Parts Data - IPD*

#### Table of contents

	Page
Illustrated Parts Data - IPD .....	1
References .....	1

#### List of tables

1	References .....	1
---	------------------	---

#### List of figures

1	Bicycle .....	2
---	---------------	---

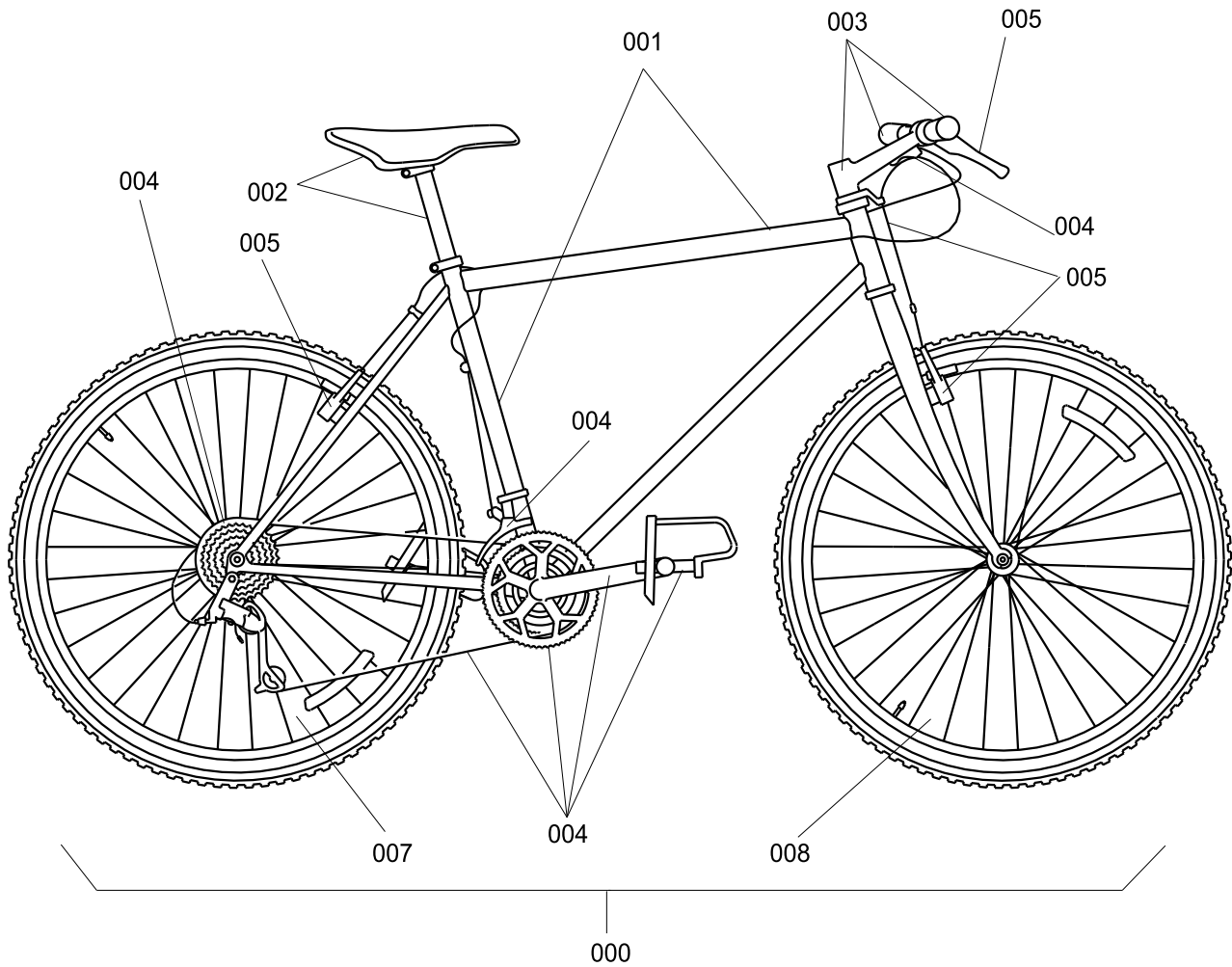
### *References*

*Table 1 References*

Data module / Technical publication	Title
None	

This is a draft copy of Issue 000-01  
Printed 2021-09-27 12:56

Produced by Docuneering Ltd using the S1000D - Publication Builder



ICN-S1000DBIKE-AAA-D000000-0-U8025-00536-B-04-1

Fig 1 Bicycle



## Initial provisioning project information

IPP number: .....KZ9990001  
 IPP subject: .....BICYCLE  
 IPP file identifier: .....s

Fig	Item	Units per assembly /Unit of issue	CAGE	Part No. NATO Stock No.	Description	* Usable on ICY code assy • MV/Effect
1/A						
	0	REF	KZ999	BICYCLE-001	Bicycle	• MB
	1	1 EA	KZ999	BICYCLE-001/1	• Frame assembly	• MB
	2	1 EA	KZ999	BICYCLE-001/2A	•• Seat, assembly	• MB
	2	1 EA	KZ999	BICYCLE-001/2B	•• Cruiser Seat, assembly	• MB
	3	1 EA	KZ999	BICYCLE-001/3	•• Steering system	• MB
	4	1 EA	KZ999	BICYCLE-001/4	•• Drive train system	• MB
	5	1 EA	KZ999	BICYCLE-001/5	•• Brake sub-system	• MB
	6	1 EA	KZ777	LRU1001	•• Light system	• MB
	7	1 EA	KZ888	WH-001	•• Wheel, assembly rear	• MB
	8	1 EA	KZ888	WH-002	•• Wheel, assembly front	• MB
	9	1 EA	KZ888	CP-001	•• Computer	• MB

This is a draft copy of issue 000-01  
Printed 2021-09-27 12:56

Produced by Docuneering Ltd using the S1000D - Publication Builder

Applicable to: Mountain bicycle  
and (Mountain storm Mk1 or  
Brook trekker Mk9)

**S1000DBIKE-AAA-D00-00-00-01AA-941A-D**

**End of data module**

UNCLASSIFIED

2012-12-31 Page 3

Intentionally left blank.

## Fork

### Manual test

#### Table of contents

	Page
Manual test .....	1
References .....	1
Preliminary requirements .....	1
Procedure .....	2
Requirements after job completion .....	3

#### List of tables

1	References .....	1
2	Required conditions .....	1
3	Required persons .....	1
4	Support equipment .....	2
5	Consumables, materials and expendables .....	2
6	Spares .....	2
7	Required conditions .....	3

### References

Table 1 References

Data module / Technical publication	Title
None	

### Preliminary requirements

#### Required conditions

Table 2 Required conditions

Action / Condition	Data module / Technical publication
None	

#### Required persons

Table 3 Required persons

Persons	Category	Skill level	Trade/Trade code	Estimated time
Man A	Basic user		Operator	0,1 h

Applicable to: Mountain bicycle  
and (Mountain storm Mk1 or  
Brook trekker Mk9)

**S1000DBIKE-AAA-D00-00-01-00AA-341A-A**

## Support equipment

Table 4 Support equipment

Name	Manufacturer / Part No.	Quantity	Remark
None			

## Consumables, materials and expendables

Table 5 Consumables, materials and expendables

Name	Manufacturer / Part No.	Quantity	Remark
None			

## Spares

Table 6 Spares

Name	Manufacturer / Part No.	Quantity	Remark
None			

## Safety conditions

None

## Procedure

**Applicable to:** Mountain bicycle and (Mountain storm Mk1 or Brook trekker Mk9)

1 Climb on the bicycle.

**Applicable to:** Mountain bicycle and (Mountain storm Mk1 or Brook trekker Mk9)

2 Turn right and left several times.

**Applicable to:** Mountain bicycle and (Mountain storm Mk1 or Brook trekker Mk9)

3 Ride forward the bicycle.

**Applicable to:** Mountain bicycle and (Mountain storm Mk1 or Brook trekker Mk9)

4 Make sure that the wheels are stable.

**Applicable to:** Mountain bicycle and (Mountain storm Mk1 or Brook trekker Mk9)

5 Push in the fork.

**Applicable to:** Mountain bicycle and (Mountain storm Mk1 or Brook trekker Mk9)

6 Make sure that no oil or air is leaking out the fork.

---

## *Requirements after job completion*

### Required conditions

*Table 7 Required conditions*

Action / Condition	Data module / Technical publication
None	

This is a draft copy of Issue 000-01  
Printed 2021-09-27 12:56

Produced by Docuneering Ltd using the S1000D - Publication Builder

Intentionally left blank.

## Fork

### *Remove procedures*

#### Table of contents

	Page
Remove procedures .....	1
References .....	1
Preliminary requirements .....	1
Procedure .....	2
Requirements after job completion .....	3

#### List of tables

1	References .....	1
2	Required conditions .....	1
3	Required persons .....	1
4	Required technical information .....	2
5	Support equipment .....	2
6	Consumables, materials and expendables .....	2
7	Spares .....	2
8	Required conditions .....	3

### *References*

*Table 1 References*

Data module / Technical publication	Title
None	

### *Preliminary requirements*

#### Required conditions

*Table 2 Required conditions*

Action / Condition	Data module / Technical publication
None	

#### Required persons

*Table 3 Required persons*

Persons	Category	Skill level	Trade/Trade code	Estimated time
As required				

Applicable to: Mountain bicycle  
and (Mountain storm Mk1 or  
Brook trekker Mk9)

**S1000DBIKE-AAA-D00-00-01-00AA-520A-A**

## Required technical information

Table 4 Required technical information

Category	Data module / Technical publication
Data module	<a href="#">S1000DBIKE-AAA-DA2-10-00-00AA-520A-A</a>
Data module	<a href="#">S1000DBIKE-AAA-DA2-30-00-00AA-520A-A</a>

## Support equipment

Table 5 Support equipment

Name	Manufacturer / Part No.	Quantity	Remark
None			

## Consumables, materials and expendables

Table 6 Consumables, materials and expendables

Name	Manufacturer / Part No.	Quantity	Remark
None			

## Spares

Table 7 Spares

Name	Manufacturer / Part No.	Quantity	Remark
None			

## Safety conditions

None

## Procedure

**Applicable to:** Mountain bicycle and (Mountain storm Mk1 or Brook trekker Mk9)

1 Remove the stem, refer to: [S1000DBIKE-AAA-DA2-10-00-00AA-520A-A](#)

**Applicable to:** Mountain bicycle and (Mountain storm Mk1 or Brook trekker Mk9)

2 Remove the headset, refer to: [S1000DBIKE-AAA-DA2-30-00-00AA-520A-A](#)

**Applicable to:** Mountain bicycle and (Mountain storm Mk1 or Brook trekker Mk9)

3 Push the fork downwards to remove it from the frame

**Applicable to:** Mountain bicycle and (Mountain storm Mk1 or Brook trekker Mk9)

4 Put the frame on the floor

**S1000DBIKE-AAA-D00-00-01-00AA-520A-A**

Applicable to: Mountain bicycle  
and (Mountain storm Mk1 or  
Brook trekker Mk9)



---

## *Requirements after job completion*

### Required conditions

*Table 8 Required conditions*

Action / Condition	Data module / Technical publication
None	

This is a draft copy of Issue 000-01  
Printed 2021-09-27 12:56

Produced by Docuneering Ltd using the S1000D - Publication Builder

Intentionally left blank.

## Fork

### *Install procedures*

#### Table of contents

	Page
Install procedures .....	1
References .....	1
Preliminary requirements .....	1
Procedure .....	2
Requirements after job completion .....	3

#### List of tables

1	References .....	1
2	Required conditions .....	1
3	Required persons .....	1
4	Required technical information .....	2
5	Support equipment .....	2
6	Consumables, materials and expendables .....	2
7	Spares .....	2
8	Required conditions .....	3

### *References*

*Table 1 References*

Data module / Technical publication	Title
None	

### *Preliminary requirements*

#### Required conditions

*Table 2 Required conditions*

Action / Condition	Data module / Technical publication
None	

#### Required persons

*Table 3 Required persons*

Persons	Category	Skill level	Trade/Trade code	Estimated time
As required				

Applicable to: Mountain bicycle  
and Mountain storm Mk1

**S1000DBIKE-AAA-D00-00-01-00AA-720A-A**

## Required technical information

Table 4 Required technical information

Category	Data module / Technical publication
Data module	<a href="#">S1000DBIKE-AAA-DA2-10-00-00AA-720A-A</a>
Data module	<a href="#">S1000DBIKE-AAA-DA2-30-00-00AA-720A-A</a>
Data module	<a href="#">S1000DBIKE-AAA-DA2-40-00-00AA-720A-A</a>

## Support equipment

Table 5 Support equipment

Name	Manufacturer / Part No.	Quantity	Remark
None			

## Consumables, materials and expendables

Table 6 Consumables, materials and expendables

Name	Manufacturer / Part No.	Quantity	Remark
General grease	MFR: KZ222 /PN: LL-005	As required	

## Spares

Table 7 Spares

Name	Manufacturer / Part No.	Quantity	Remark
<b>Applicable to:</b> Mountain bicycle and Mountain storm Mk1			
Fork set	MFR: KZ666 /PN: SPA-1000-1	1 EA	Material set
- Fork	MFR: KZ666 /PN: FK-TEL1001	1 EA	

## Safety conditions

None

## Procedure

**Applicable to:** Mountain bicycle and Mountain storm Mk1

1 Apply grease ([General grease](#)) on the headset

**Applicable to:** Mountain bicycle and Mountain storm Mk1

2 Install the headset, refer to: [S1000DBIKE-AAA-DA2-30-00-00AA-720A-A](#)

**Applicable to:** Mountain bicycle and Mountain storm Mk1

3 To install the spacers, refer to: [S1000DBIKE-AAA-DA2-40-00-00AA-720A-A](#)

**Applicable to:** Mountain bicycle and Mountain storm Mk1

4 Install the stem, refer to: [S1000DBIKE-AAA-DA2-10-00-00AA-720A-A](#)

**Applicable to:** Mountain bicycle and Mountain storm Mk1

5 Install the fork ([Fork](#))

## Requirements after job completion

### Required conditions

Table 8 Required conditions

Action / Condition	Data module / Technical publication
None	

Intentionally left blank.

## Bicycle

### ***Service Bulletin - Replacement of standard forward fork by telescopic fork***

#### Table of contents

	Page
Service Bulletin - Replacement of standard forward fork by telescopic fork .....	1
References .....	1
Service bulletin .....	1
Management information .....	1
Revision information .....	3
Summary .....	4
Planning information .....	5
Material information .....	8
Accomplishment instructions .....	11
Additional information .....	11

#### List of tables

1	References .....	1
2	List of product modifications .....	2
3	List of impacts .....	2
4	Accomplishment limit .....	2
5	Time assessment .....	2
6	Service bulletin approved data modules .....	3
7	List of generic properties .....	3
8	Accomplishment time scale .....	6
9	Accomplishment instructions .....	11

### ***References***

Table 1 References

Data module / Technical publication	Title
None	

### ***Service bulletin***

### ***Management information***

Compliance category:..... Optional

Task type:..... Modification

Applicable to: Mountain bicycle  
and (Mountain storm Mk1 or  
Brook trekker Mk9)

**S1000DBIKE-AAA-D00-00-01-00AA-930A-A**

*Table 2 List of product modifications*

Ident	Class	Description	Applicability
A2001	Major	Installation of telescopic fork with 140mm clearance	Mountain bicycle and Mountain storm Mk1
A2002	Major	Installation of telescopic fork with 100mm clearance	Mountain bicycle and Brook trekker Mk9

*Table 3 List of impacts*

No.	Type	Quantity	Description	Applicability
1	Weight	+0.8 kg +1.76 lbm		Mountain bicycle and Mountain storm Mk1
2	Weight	+0.5 kg +1.1 lbm		Mountain bicycle and Brook trekker Mk9

List of concurrent service bulletins:..... No Info

*Table 4 Accomplishment limit*

No.	Time compliance	References	Applicability
1	Basic limit Limit: Perform once Grace period Limit: Perform periodically		Mountain bicycle and (Mountain storm Mk1 or Brook trekker Mk9)

*Table 5 Time assessment*

Duration	Estimated time	Condition	References	Applicability
1.5 h	1.5 h		<a href="#">S1000DBIKE-AAA-D00-00-01-00AA-933A-A</a>	Mountain bicycle and Mountain storm Mk1
1 h	1 h		<a href="#">S1000DBIKE-AAA-D00-00-01-00AA-933A-A</a>	Mountain bicycle and Brook trekker Mk9

Original issue date:..... 2011-03-31

Service bulletin approval:..... S1000D-020AA

**S1000DBIKE-AAA-D00-00-01-00AA-930A-A**

Applicable to: Mountain bicycle and (Mountain storm Mk1 or Brook trekker Mk9)



Table 6 Service bulletin approved data modules

Data module / Technical publication	Title
<b>Applicable to:</b> Mountain bicycle and (Mountain storm Mk1 or Brook trekker Mk9) <a href="#">S1000DBIKE-AAA-D00-00-01-00AA-933A-A</a>	
<b>Applicable to:</b> Mountain bicycle and (Mountain storm Mk1 or Brook trekker Mk9) <a href="#">S1000DBIKE-AAA-DA0-30-00-00AA-520A-A</a>	
<b>Applicable to:</b> Mountain bicycle and (Mountain storm Mk1 or Brook trekker Mk9) <a href="#">S1000DBIKE-AAA-DA1-20-00-00AA-520A-A</a>	
<b>Applicable to:</b> Mountain bicycle and (Mountain storm Mk1 or Brook trekker Mk9) <a href="#">S1000DBIKE-AAA-D00-00-01-00AA-520A-A</a>	
<b>Applicable to:</b> Mountain bicycle and (Mountain storm Mk1 or Brook trekker Mk9) <a href="#">S1000DBIKE-AAA-D00-00-01-00AA-93AA-A</a>	
<b>Applicable to:</b> Mountain bicycle and Mountain storm Mk1 <a href="#">S1000DBIKE-AAA-D00-00-01-00AA-720A-A</a>	
<b>Applicable to:</b> Mountain bicycle and Mountain storm Mk1 <a href="#">S1000DBIKE-AAA-DA2-40-00-00AA-720A-A</a>	
<b>Applicable to:</b> Mountain bicycle and Brook trekker Mk9 <a href="#">S1000DBIKE-AAA-D00-00-01-00AB-720A-A</a>	
<b>Applicable to:</b> Mountain bicycle and (Mountain storm Mk1 or Brook trekker Mk9) <a href="#">S1000DBIKE-AAA-DA1-20-00-00AA-720A-A</a>	
<b>Applicable to:</b> Mountain bicycle and (Mountain storm Mk1 or Brook trekker Mk9) <a href="#">S1000DBIKE-AAA-DA0-30-00-00AA-720A-A</a>	
<b>Applicable to:</b> Mountain bicycle and (Mountain storm Mk1 or Brook trekker Mk9) <a href="#">S1000DBIKE-AAA-D00-00-01-00AA-341A-A</a>	

Table 7 List of generic properties

Type	Applicable	Applicability
Passenger comfort affected	Applicable: Yes	
Structural life extension	Applicable: Yes	
Product operation affected	Applicable: Yes	

## Revision information

### Revision history

This document is the first issue of the Service Bulletin

### Revision sequence

Original Issue date [2011-03-31](#)

Applicable to: Mountain bicycle  
and (Mountain storm Mk1 or  
Brook trekker Mk9)

**S1000DBIKE-AAA-D00-00-01-00AA-930A-A**

---

## Summary

### Reason

A lot of customers asked for the improvement of the front hanging in order to use the bike in more severe conditions.

### Description

Replacement of the fork

### Compliance

Compliance: [Optional](#)

### Applicability

**Applicable to:** Mountain bicycle and (Mountain storm Mk1 or Brook trekker Mk9)

This Service Bulletin is applicable to bikes manufactured between 01/05/2001 and 30/09/2009

**Applicable to:** Mountain bicycle and Mountain storm Mk1

Configuration no. 1 covers mountain bicycle Mountain storm version Mk1

**Applicable to:** Mountain bicycle and Brook trekker Mk9

Configuration no. 2 covers mountain bicycle Brook trekker version Mk9

### Concurrent Requirements

No Info

### Manpower

**Applicable to:** Mountain bicycle and Mountain storm Mk1

---

[S1000DBIKE-AAA-D00-00-01-00AA-933A-A](#)

Total workload    1.5 h

Estimated time    1.5 h

**Applicable to:** Mountain bicycle and Brook trekker Mk9

---

[S1000DBIKE-AAA-D00-00-01-00AA-933A-A](#)

Total workload    1 h

Estimated time    1 h

### Industry Support Information

For any issue with the fork assembly, please contact your local retailer.

The UK MoD Company only provides assistance via its network of retailers.

## General evaluation

### EVALUATION TABLE

Passenger comfort affected	Yes
Structural life extended	Yes
Bike operation affected	Yes

## Planning information

### Applicability

**Applicable to:** Mountain bicycle and (Mountain storm Mk1 or Brook trekker Mk9)

This Service Bulletin is applicable to bikes manufactured between 01/05/2001 and 30/09/2009

**Applicable to:** Mountain bicycle and Mountain storm Mk1

The S/N of the impacted bikes are : CAGE: U8025 [PN: 1B070701]

**Applicable to:** Mountain bicycle and Brook trekker Mk9

The S/N of the impacted bikes are : CAGE: U8025 [PN: 1B070643] CAGE: U8025 [PN: 1B070644]

**Applicable to:** Mountain bicycle and Mountain storm Mk1

Configuration no. 1 covers mountain bicycle Mountain storm version Mk1

**Applicable to:** Mountain bicycle and Brook trekker Mk9

Configuration no. 2 covers mountain bicycle Brook trekker version Mk9

### Concurrent Requirements

No Info

### Reason

- 1 Objective :
  - 1.1 Improvement of the bike's front hanging.
- 2 Problem and effect :
  - 2.1 A lot of customers would like to use the bike in more severe conditions.
- 3 Solution :
  - 3.1 Replacement of the fork.

Applicable to: Mountain bicycle and (Mountain storm Mk1 or Brook trekker Mk9)

S1000DBIKE-AAA-D00-00-01-00AA-930A-A

## Description

- 1 Replacement of the original fork
  - 1.1 **Applicable to:** Mountain bicycle and Mountain storm Mk1  
by telescopic fork with a 140 mm clearance
  - 1.2 **Applicable to:** Mountain bicycle and Brook trekker Mk9  
by telescopic fork with a 100 mm clearance

## Compliance

- 1 **Compliance**  
[Compliance: Optional](#)
- 2 The modification should be made in accordance with the customer's availability, but within the following limits (before marked wear of the frame)

Table 8 Accomplishment time scale

Limit	Grace period
<a href="#">Basic limit</a> Limit: Perform once	<a href="#">Grace period</a> Limit: Perform periodically

## Approval

This modification has been approved and certified in conformity with the requirements of the S1000D community.

Approval No. [S1000D-020AA](#).

## Manpower

**Applicable to:** Mountain bicycle and Mountain storm Mk1

---

[S1000DBIKE-AAA-D00-00-01-00AA-933A-A](#)

---

Job Set-up	5 min
Removal	20 min
Install	60 min
Testing	5 min
Total workload	1.5 h
Estimated time	1.5 h

**Applicable to:** Mountain bicycle and Brook trekker Mk9

---

[S1000DBIKE-AAA-D00-00-01-00AA-933A-A](#)

---

Job Set-up	5 min
------------	-------

(Continued)

**S1000DBIKE-AAA-D00-00-01-00AA-933A-A**

Removal	20 min
Install	30 min
Testing	5 min
Total workload	1 h
Estimated time	1 h

**Weight and Balance****Applicable to:** Mountain bicycle and Mountain storm Mk1Effect on weight [Impact 1](#)**Applicable to:** Mountain bicycle and Brook trekker Mk9Effect on weight [Impact 2](#)**Electrical Load Data**

No Info

**Software Accomplishment Summary**

No Info

**Referenced Documentation**Removal of the headset [S1000DBIKE-AAA-DA2-30-00-00AA-520A-A](#)Install of the headset [S1000DBIKE-AAA-DA2-30-00-00AA-720A-A](#)Removal of the stem [S1000DBIKE-AAA-DA2-10-00-00AA-520A-A](#)Install of the stem [S1000DBIKE-AAA-DA2-10-00-00AA-720A-A](#)Testing of the brakes [BRAKE-AAA-DA1-00-00-00AA-341A-A](#)**Documentation Affected**IPD [S1000DBIKE-AAA-D00-00-00-01AA-941A-D](#)**Industry Support Information**

For any issue with the fork assembly, please contact your local retailer.

The UK MoD Company only provides assistance via its network of retailers.

**Material information**

**List of material sets**

**Applicable to:** Mountain bicycle and Mountain storm Mk1

- 1 Material description:
  - Material set reference:..... [Saw tool set](#)
  - Quantity:..... 1 EA
- Material description:
  - Material set reference:..... [Supplies](#)
- Material description:
  - Material set reference:..... [Fork set](#)
  - Quantity:..... 1 EA
- Material description:
  - Material set reference:..... [Removed spare set](#)
- Material description:
  - Material set reference:..... [Modified spare](#)

**Applicable to:** Mountain bicycle and Brook trekker Mk9

- 2 Material description:
  - Material set reference:..... [Saw tool set](#)
  - Quantity:..... 1 EA
- Material description:
  - Material set reference:..... [Supplies](#)
- Material description:
  - Material set reference:..... [Fork](#)
  - Quantity:..... 1 EA
- Material description:
  - Material set reference:..... [Removed spare set](#)
- Material description:
  - Material set reference:..... [Modified spare](#)

**List of support equipment**

**Applicable to:** Mountain bicycle and (Mountain storm Mk1 or Brook trekker Mk9)

- 1 **Support equipment set**
  - Material ident:..... BSK-TLST-200
  - Material type:..... Set of material or individual material specific to the Service Bulletin
  - Material issue:..... 001
  - Material is procurable:..... Yes
  - Supplier:..... Manufacturer
  - Name:..... Saw tool set
- Individual support equipment**
  - Material type:..... Set of material or individual material specific to the Service Bulletin
  - Embedded support equipment description:..... Saw tool /MFR: KZ666 /PN: BSK-TW-100 / QTY: 1 EA
- Individual support equipment**

Material type:..... Set of material or individual material specific to the Service Bulletin

Embedded support equipment description:..... Threading tool /MFR: KZ666 /PN: BSK-THR-3001 /QTY: 1 EA

**List of supplies**

*Applicable to: Mountain bicycle and (Mountain storm Mk1 or Brook trekker Mk9)*

- 1 **Individual supply**
  - Material type:..... Set of material or individual material not specially built for the Service Bulletin
  - Material is procurable:..... Yes
  - Supplier:..... Any
  - Embedded supply description:..... General grease /MFR: KZ222 /PN: LL-005 / QTY: As required

**List of spares**

*Applicable to: Mountain bicycle and Mountain storm Mk1*

- 1 **Spare set**
  - Material ident:..... SPA-1000-1
  - Material type:..... Set of material or individual material specific to the Service Bulletin
  - Material issue:..... 001
  - Material is procurable:..... Yes
  - Supplier:..... Manufacturer
  - Name:..... Fork set
  - Procurement data:
    - Price information:..... 150 USD
    - Availability:..... 3 d  
after purchase order reception
    - Procurement address:..... KZ666
- Individual spare**
  - Material type:..... Set of material or individual material not specially built for the Service Bulletin
  - Embedded spare description:..... Fork /MFR: KZ666 /PN: FK-TEL1001 / QTY: 1 EA
- Individual spare**
  - Material type:..... Set of material or individual material not specially built for the Service Bulletin
  - Embedded spare description:..... Spacer /MFR: KZ666 /PN: SPC-200-12 / QTY: 2 EA

*Applicable to: Mountain bicycle and Brook trekker Mk9*

- 2 **Individual spare**
  - Material ident:..... FK-TEL1002
  - Material type:..... Set of material or individual material specific to the Service Bulletin
  - Material issue:..... 001
  - Material is procurable:..... Yes

Supplier:..... Manufacturer  
 Embedded spare description:..... Fork /MFR: KZ666 /PN: FK-TEL1002 /  
 QTY: 1 EA  
 Procurement data:  
 Price information:..... 100 USD  
 Availability:..... 3 d  
 after purchase order reception  
 Procurement address:..... KZ666

## List of removed spares

*Applicable to: Mountain bicycle and Mountain storm Mk1*

- 1 Removed spare set**  
 Name:..... Removed spare set  
**Individual removed spare**  
 Removed spare description:..... Discarded  
 Fork /MFR: KZ666 /PN: FK-1000  
**Interchangeability**  
 Replacement part  
 Replaced by (02):..... Part No.: FK-TEL1001  
**Individual removed spare**  
 Removed spare description:..... Discarded  
 Conical expansion washer Part No.: St-001-05

*Applicable to: Mountain bicycle and Brook trekker Mk9*

- 2 Removed spare set**  
 Name:..... Removed spare set  
**Individual removed spare**  
 Removed spare description:..... Discarded  
 Fork /MFR: KZ666 /PN: FK-1000  
**Interchangeability**  
 Replacement part  
 Replaced by (02):..... Part No.: FK-TEL1002  
**Individual removed spare**  
 Removed spare description:..... Discarded  
 Conical expansion washer Part No.: St-001-05

*Applicable to: Mountain bicycle and (Mountain storm Mk1 or Brook trekker Mk9)*

- 3 Individual removed spare**  
 Material type:..... Set of re-identified material  
 Removed spare description:..... Modified to  
 Wheel axis Part No.: BSK-AXS-2000  
**Interchangeability**  
 Replacement part  
 Altered to part:..... Part No.: BSK-AXS-2001



---

## ***Accomplishment instructions***

*Table 18 Accomplishment instructions*

<b>Data module / Technical publication</b>	<b>Title</b>
<a href="#">S1000DBIKE-AAA-D00-00-01-00AA-933A-A</a>	

---

## ***Additional information***

No Info

This is a draft copy of Issue 000-01  
Printed 2021-09-27 12:56

Produced by Docuneering Ltd using the S1000D - Publication Builder

Intentionally left blank.

## Fork

### *Replacement procedure*

#### Table of contents

	Page
Replacement procedure .....	1
References .....	1
Preliminary requirements .....	1
Procedure .....	3
Requirements after job completion .....	4

#### List of tables

1	References .....	1
2	Required conditions .....	2
3	Required technical information .....	2
4	Support equipment .....	2
5	Consumables, materials and expendables .....	2
6	Spares .....	3
7	Required conditions .....	4

### *References*

Table 1 References

Data module / Technical publication	Title
None	

### *Preliminary requirements*

**Applicable to:** Mountain bicycle and Mountain storm Mk1

#### Production maintenance data

##### Maintenance task duration

Preliminary requirements	0 h
Procedure	1,5 h
Requirements after job completion	0 h

**Applicable to:** Mountain bicycle and Brook trekker Mk9

#### Production maintenance data

##### Maintenance task duration

Preliminary requirements	0 h
Procedure	1 h
Requirements after job completion	0 h

Applicable to: Mountain bicycle  
and (Mountain storm Mk1 or  
Brook trekker Mk9)

**S1000DBIKE-AAA-D00-00-01-00AA-933A-A**

## Required conditions

Table 2 Required conditions

Action / Condition	Data module / Technical publication
None	

## Required technical information

Table 3 Required technical information

Category	Data module / Technical publication
Data module	<a href="#">S1000DBIKE-AAA-DA0-30-00-00AA-520A-A</a>
Data module	<a href="#">S1000DBIKE-AAA-DA1-20-00-00AA-520A-A</a>
Data module	<a href="#">S1000DBIKE-AAA-D00-00-01-00AA-520A-A</a>
Data module	<a href="#">S1000DBIKE-AAA-D00-00-01-00AA-93AA-A</a>
Data module	<a href="#">S1000DBIKE-AAA-D00-00-01-00AA-720A-A</a>
Data module	<a href="#">S1000DBIKE-AAA-D00-00-01-00AB-720A-A</a>
Data module	<a href="#">S1000DBIKE-AAA-DA1-20-00-00AA-720A-A</a>
Data module	<a href="#">S1000DBIKE-AAA-DA0-30-00-00AA-720A-A</a>
Data module	<a href="#">S1000DBIKE-AAA-D00-00-01-00AA-341A-A</a>
Data module	<a href="#">BRAKE-AAA-DA1-00-00-00AA-341A-A</a>

## Support equipment

Table 4 Support equipment

Name	Manufacturer / Part No.	Quantity	Remark
<i>Applicable to: Mountain bicycle and (Mountain storm Mk1 or Brook trekker Mk9)</i>			
	BSK-TLST-200	1 EA	

## Consumables, materials and expendables

Table 5 Consumables, materials and expendables

Name	Manufacturer / Part No.	Quantity	Remark
<i>Applicable to: Mountain bicycle and (Mountain storm Mk1 or Brook trekker Mk9)</i>			
General grease	MFR: KZ222 /PN: LL-005	As required	

S1000DBIKE-AAA-D00-00-01-00AA-933A-A

Applicable to: Mountain bicycle  
and (Mountain storm Mk1 or  
Brook trekker Mk9)

## Spares

Table 6 Spares

Name	Manufacturer / Part No.	Quantity	Remark
<b>Applicable to:</b> Mountain bicycle and Mountain storm Mk1			
Fork set	SPA-1000-1	1 EA	
<b>Applicable to:</b> Mountain bicycle and Brook trekker Mk9			
Fork	FK-TEL1002	1 EA	

## Safety conditions

None

## Procedure

### 1 PREPARATION

**Applicable to:** Mountain bicycle and (Mountain storm Mk1 or Brook trekker Mk9)

1.1 Remove the front wheel, refer to: [S1000DBIKE-AAA-DA0-30-00-00AA-520A-A](#)

**Applicable to:** Mountain bicycle and (Mountain storm Mk1 or Brook trekker Mk9)

1.2 Remove the front brakes, refer to: [S1000DBIKE-AAA-DA1-20-00-00AA-520A-A](#)

### 2 PROCEDURE

**Applicable to:** Mountain bicycle and (Mountain storm Mk1 or Brook trekker Mk9)

2.1 Remove the fork, refer to: [S1000DBIKE-AAA-D00-00-01-00AA-520A-A](#)

**Applicable to:** Mountain bicycle and (Mountain storm Mk1 or Brook trekker Mk9)

2.2 Change the bike axis, refer to: [S1000DBIKE-AAA-D00-00-01-00AA-93AA-A](#)

**Applicable to:** Mountain bicycle and Mountain storm Mk1

2.3 Install the new fork, refer to: [S1000DBIKE-AAA-D00-00-01-00AA-720A-A](#)

**Applicable to:** Mountain bicycle and Brook trekker Mk9

2.3 Install the new fork, refer to: [S1000DBIKE-AAA-D00-00-01-00AB-720A-A](#)

**Applicable to:** Mountain bicycle and (Mountain storm Mk1 or Brook trekker Mk9)

2.4 Install the front brakes, refer to: [S1000DBIKE-AAA-DA1-20-00-00AA-720A-A](#)

**Applicable to:** Mountain bicycle and (Mountain storm Mk1 or Brook trekker Mk9)

2.5 Install the front wheel, refer to: [S1000DBIKE-AAA-DA0-30-00-00AA-720A-A](#)

### 3 TEST

**Applicable to:** Mountain bicycle and (Mountain storm Mk1 or Brook trekker Mk9)

3.1 Test that the fork is properly installed, refer to: [S1000DBIKE-AAA-D00-00-01-00AA-341A-A](#)

**Applicable to:** Mountain bicycle and (Mountain storm Mk1 or Brook trekker Mk9)

3.2 Front brakes test, refer to: [BRAKE-AAA-DA1-00-00-00AA-341A-A](#)

Applicable to: Mountain bicycle  
and (Mountain storm Mk1 or  
Brook trekker Mk9)

**S1000DBIKE-AAA-D00-00-01-00AA-933A-A**

---

***Requirements after job completion*****Required conditions***Table 7 Required conditions*

<b>Action / Condition</b>	<b>Data module / Technical publication</b>
None	

## Bicycle axis

### *Modification procedures*

#### Table of contents

	Page
Modification procedures .....	1
References .....	1
Preliminary requirements .....	1
Procedure .....	2
Requirements after job completion .....	2

#### List of tables

1	References .....	1
2	Required conditions .....	1
3	Support equipment .....	1
4	Consumables, materials and expendables .....	2
5	Spares .....	2
6	Required conditions .....	2

### *References*

*Table 1 References*

Data module / Technical publication	Title
None	

### *Preliminary requirements*

#### Required conditions

*Table 2 Required conditions*

Action / Condition	Data module / Technical publication
None	

#### Support equipment

*Table 3 Support equipment*

Name	Manufacturer / Part No.	Quantity	Remark
<b>Applicable to:</b> Mountain bicycle and (Mountain storm Mk1 or Brook trekker Mk9)			
Saw tool set	BSK-TLST-200	1 EA	Material set

Applicable to: Mountain bicycle  
and (Mountain storm Mk1 or  
Brook trekker Mk9)

**S1000DBIKE-AAA-D00-00-01-00AA-93AA-A**

Table 3 Support equipment (Continued)

Name	Manufacturer / Part No.	Quantity	Remark
- Saw tool	MFR: KZ666 /PN: BSK-TW-100	1 EA	
- Threading tool	MFR: KZ666 /PN: BSK-THR-3001	1 EA	

## Consumables, materials and expendables

Table 4 Consumables, materials and expendables

Name	Manufacturer / Part No.	Quantity	Remark
None			

## Spares

Table 5 Spares

Name	Manufacturer / Part No.	Quantity	Remark
<b>Applicable to:</b> Mountain bicycle and (Mountain storm Mk1 or Brook trekker Mk9)			
Wheel axis	MFR: KZ666 /PN: BSK-AXS-2001	1 EA	Modified from
- Wheel axis	MFR: KZ666 /PN: BSK-AXS-2000	1 EA	

## Safety conditions

None

## Procedure

**Applicable to:** Mountain bicycle and (Mountain storm Mk1 or Brook trekker Mk9)

1 Use the ([Saw tool](#)) to saw the ([Wheel axis](#))

Use the ([Threading tool](#)) when the saw is unbended

**Applicable to:** Mountain bicycle and (Mountain storm Mk1 or Brook trekker Mk9)

2 Put the frame on the floor

## Requirements after job completion

## Required conditions

Table 6 Required conditions

Action / Condition	Data module / Technical publication
None	



## Fork

### *Install procedures*

#### Table of contents

	Page
Install procedures .....	1
References .....	1
Preliminary requirements .....	1
Procedure .....	2
Requirements after job completion .....	3

#### List of tables

1	References .....	1
2	Required conditions .....	1
3	Required persons .....	1
4	Required technical information .....	2
5	Support equipment .....	2
6	Consumables, materials and expendables .....	2
7	Spares .....	2
8	Required conditions .....	3

### *References*

*Table 1 References*

Data module / Technical publication	Title
None	

### *Preliminary requirements*

#### Required conditions

*Table 2 Required conditions*

Action / Condition	Data module / Technical publication
None	

#### Required persons

*Table 3 Required persons*

Persons	Category	Skill level	Trade/Trade code	Estimated time
As required				

Applicable to: Mountain bicycle  
and Brook trekker Mk9

**S1000DBIKE-AAA-D00-00-01-00AB-720A-A**

## Required technical information

Table 4 Required technical information

Category	Data module / Technical publication
Data module	<a href="#">S1000DBIKE-AAA-DA2-10-00-00AA-720A-A</a>
Data module	<a href="#">S1000DBIKE-AAA-DA2-30-00-00AA-720A-A</a>

## Support equipment

Table 5 Support equipment

Name	Manufacturer / Part No.	Quantity	Remark
None			

## Consumables, materials and expendables

Table 6 Consumables, materials and expendables

Name	Manufacturer / Part No.	Quantity	Remark
General grease	MFR: KZ222 /PN: LL-005	As required	

## Spares

Table 7 Spares

Name	Manufacturer / Part No.	Quantity	Remark
<b>Applicable to:</b> Mountain bicycle and Brook trekker Mk9			
Fork	FK-TEL1002	1 EA	

## Safety conditions

None

## Procedure

**Applicable to:** Mountain bicycle and Brook trekker Mk9

1 Apply grease ([General grease](#)) on the headset

**Applicable to:** Mountain bicycle and Brook trekker Mk9

2 Install the headset, refer to: [S1000DBIKE-AAA-DA2-30-00-00AA-720A-A](#)

**Applicable to:** Mountain bicycle and Brook trekker Mk9

3 Install the stem, refer to: [S1000DBIKE-AAA-DA2-10-00-00AA-720A-A](#)

**S1000DBIKE-AAA-D00-00-01-00AB-720A-A**

Applicable to: Mountain bicycle  
and Brook trekker Mk9

---

**Applicable to:** Mountain bicycle and Brook trekker Mk9

4 Install the fork ([Fork](#))

### **Requirements after job completion**

#### **Required conditions**

*Table 8 Required conditions*

<b>Action / Condition</b>	<b>Data module / Technical publication</b>
None	

Intentionally left blank.

## Bicycle

### Time limits

#### Table of contents

	Page
Time limits .....	1
References .....	1
Time limits .....	1

#### List of tables

1	References .....	1
---	------------------	---

### References

Table 1 References

Data module / Technical publication	Title
None	

### Time limits

Ident	Equipment	Qty	Time limits	Applicability
001	Bicycle MFR: KZ555 /PN: Bicycle-001	1 EA	Type: Functional check 1 Day $\pm$ 1 Type: On condition 1 Day	Mountain bicycle and (Mountain storm Mk1 or Brook trekker Mk9)
002	Brake pads MFR: KT444 /PN: BR- PADS-001	4 EA	Category: Cat 1 Type: On condition 1 Month	Mountain bicycle and (Mountain storm Mk1 or Brook trekker Mk9)
003	Chain MFR: KZ555 /PN: Ch-001		Type: On condition 1 Month	Mountain bicycle and (Mountain storm Mk1 or Brook trekker Mk9)
004	Hub bearings MFR: KZ555 /PN: HB-001	2 EA	Category: Cat 1 Type: Check maintenance 6 Month $\pm$ 1	Mountain bicycle and (Mountain storm Mk1 or Brook trekker Mk9)

Applicable to: Mountain bicycle  
and (Mountain storm Mk1 or  
Brook trekker Mk9)

**S1000DBIKE-AAA-D05-10-00-00AA-000A-A**  
**End of data module**

UNCLASSIFIED

2012-12-31 Page 1

Intentionally left blank.

## Bicycle

### *Scheduled maintenance lists*

#### List of tasks

Task ident	Description
001	To do the pre-ride checks
002	To do the post-ride maintenance
003	Clean brake pads
004	Clean the chain
005	Clean the hub bearings

#### Table of contents

	Page
Scheduled maintenance lists .....	1
References .....	2
Task ident: 001 .....	2
Task ident: 002 .....	5
Task ident: 003 .....	7
Task ident: 004 .....	9
Task ident: 005 .....	11

#### List of tables

1	References .....	2
2	Required conditions .....	2
3	Required persons .....	3
4	Support equipment .....	3
5	Consumables, materials and expendables .....	3
6	Spares .....	3
7	Required conditions .....	5
8	Required persons .....	5
9	Support equipment .....	5
10	Consumables, materials and expendables .....	5
11	Spares .....	5
12	Required conditions .....	7
13	Required persons .....	7
14	Support equipment .....	7
15	Consumables, materials and expendables .....	7
16	Spares .....	7
17	Required conditions .....	9
18	Required persons .....	9
19	Support equipment .....	9
20	Consumables, materials and expendables .....	9
21	Spares .....	10
22	Required conditions .....	11
23	Required persons .....	11

Applicable to: Mountain bicycle  
and (Mountain storm Mk1 or  
Brook trekker Mk9)

**S1000DBIKE-AAA-D05-20-00-00AA-000A-A**

## List of tables (Continued)

24	Support equipment .....	11
25	Consumables, materials and expendables .....	11
26	Spares .....	12

## References

Table 1 References

Data module / Technical publication	Title
S1000DBIKE-AAA-D00-00-00-00AA-121A-A	Bicycle – Pre-operation procedures (crew)
S1000DBIKE-AAA-D00-00-00-00AA-151A-A	Bicycle – Post-operation procedures (crew)
S1000DBIKE-AAA-DA1-10-00-00AA-251A-A	Brake pads – Clean with rubbing alcohol
S1000DBIKE-AAA-DA4-10-00-00AA-251B-A	Chain – Clean with chain cleaning fluid
S1000DBIKE-AAA-DA0-20-00-00AA-520A-A	Rear wheel – Remove procedures

## Task ident: 001

Task code:..... General visual inspection (GVI)  
 Worthiness limitation:..... Recommended  
 Reduced maintenance:..... No  
 Skill type:..... Airframe (AIRPL)  
 Task description:..... To do the pre-ride checks

## Requirement source

Source of requirement:..... MRB  
 Approval:..... ap01

### Source type

Code:..... stc51  
 Source criticality:..... sc55

## Preliminary requirements

## Required conditions

Table 2 Required conditions

Action / Condition	Data module / Technical publication
None	



## Required persons

Table 3 Required persons

Persons	Category	Skill level	Trade/Trade code	Estimated time
Man A	Basic user		Operator	0,3 h

## Support equipment

Table 4 Support equipment

Name	Manufacturer / Part No.	Quantity	Remark
Tire pressure gauge	MFR: KZ666 /PN: BSK-TLST-001-01	1 EA	
Specialist toolset	MFR: KZ666 /PN: BSK-TLST-001	1 EA	

## Consumables, materials and expendables

Table 5 Consumables, materials and expendables

Name	Manufacturer / Part No.	Quantity	Remark
General lubricant	MFR: KZ222 /PN: LL-001	As required	

## Spares

Table 6 Spares

Name	Manufacturer / Part No.	Quantity	Remark
None			

## Safety conditions

None

## References

[S1000DBIKE-AAA-D00-00-00AA-121A-A](#)

## Equipment

- Bicycle  
MFR: KZ555 /PN: Bicycle-001

Applicable to: Mountain bicycle  
and (Mountain storm Mk1 or  
Brook trekker Mk9)

**S1000DBIKE-AAA-D05-20-00-00AA-000A-A**

---

## Limit

Perform once

Interval: 1 Day  $\pm$  1

Inspection type: Daily

**Task ident: 002**

Worthiness limitation:..... Recommended  
 Reduced maintenance:..... No  
 Task description:..... To do the post-ride maintenance

**Preliminary requirements****Required conditions***Table 7 Required conditions*

Action / Condition	Data module / Technical publication
None	

**Required persons***Table 8 Required persons*

Persons	Category	Skill level	Trade/Trade code	Estimated time
Man A	Basic user		Operator	0,3 h

**Support equipment***Table 9 Support equipment*

Name	Manufacturer / Part No.	Quantity	Remark
Specialist toolset	MFR: KZ666 /PN: BSK-TLST-001	1 EA	

**Consumables, materials and expendables***Table 10 Consumables, materials and expendables*

Name	Manufacturer / Part No.	Quantity	Remark
General lubricant	MFR: KZ222 /PN: LL-001	As required	

**Spares***Table 11 Spares*

Name	Manufacturer / Part No.	Quantity	Remark
None			

Applicable to: Mountain bicycle  
 and (Mountain storm Mk1 or  
 Brook trekker Mk9)

S1000DBIKE-AAA-D05-20-00-00AA-000A-A

---

## Safety conditions

None

## References

[S1000DBIKE-AAA-D00-00-00-00AA-151A-A](#)

## Equipment

- Bicycle  
MFR: KZ555 /PN: Bicycle-001

## Limit

On condition  
Condition: Dirty  
1 Day ± 1  
Inspection type: Daily

**Task ident: 003**

Worthiness limitation:..... Recommended  
 Reduced maintenance:..... Yes  
 Task description:..... Clean brake pads

**Preliminary requirements****Required conditions***Table 12 Required conditions*

Action / Condition	Data module / Technical publication
None	

**Required persons***Table 13 Required persons*

Persons	Category	Skill level	Trade/Trade code	Estimated time
Man A	Basic user		Operator	0,3 h

**Support equipment***Table 14 Support equipment*

Name	Manufacturer / Part No.	Quantity	Remark
None			

**Consumables, materials and expendables***Table 15 Consumables, materials and expendables*

Name	Manufacturer / Part No.	Quantity	Remark
Rubbing alcohol	MFR: KZ222 /PN: LL-002	As required	

**Spares***Table 16 Spares*

Name	Manufacturer / Part No.	Quantity	Remark
None			

Applicable to: Mountain bicycle  
 and (Mountain storm Mk1 or  
 Brook trekker Mk9)

S1000DBIKE-AAA-D05-20-00-00AA-000A-A

---

## Safety conditions

None

## References

[S1000DBIKE-AAA-DA1-10-00-00AA-251A-A](#)

## Equipment

- Brake pads  
MFR: KT444 /PN: BR-PADS-001

## Limit

Perform periodically  
Inspection type: Monthly  
Limit range:  
from: 1 Month  
to: 1 Month

**Task ident: 004**

Worthiness limitation:..... Recommended  
 Reduced maintenance:..... Yes  
 Task description:..... Clean the chain

**Preliminary requirements****Required conditions***Table 17 Required conditions*

Action / Condition	Data module / Technical publication
None	

**Required persons***Table 18 Required persons*

Persons	Category	Skill level	Trade/Trade code	Estimated time
Man A	Basic user		Operator	0,3 h

**Support equipment***Table 19 Support equipment*

Name	Manufacturer / Part No.	Quantity	Remark
Stiff bristle brush	MFR: KZ666 /PN: BSK-TLST-001-02	1 EA	
Chain cleaning fluid	MFR: KZ222 /PN: LL-003	As required	
Chain cleaning tool	MFR: KZ666 /PN: BSK-TLST-001-03	1 EA	

**Consumables, materials and expendables***Table 20 Consumables, materials and expendables*

Name	Manufacturer / Part No.	Quantity	Remark
Floor covering	PN:	As required	
General lubricant	MFR: KZ222 /PN: LL-001	As required	

Applicable to: Mountain bicycle  
 and (Mountain storm Mk1 or  
 Brook trekker Mk9)

S1000DBIKE-AAA-D05-20-00-00AA-000A-A

---

## Spares

Table 21 Spares

Name	Manufacturer / Part No.	Quantity	Remark
None			

## Safety conditions

None

## References

[S1000DBIKE-AAA-DA4-10-00-00AA-251B-A](#)

[S1000DBIKE-AAA-D00-00-00-00AA-121A-A](#)

## Equipment

- Chain  
MFR: KZ555 /PN: Ch-001

## Limit

Perform periodically

Condition: Dirty

1 Month

Inspection type: Monthly

Trigger event

[S1000DBIKE-AAA-D00-00-00-00AA-121A-A](#)



**Task ident: 005**

Worthiness limitation:..... Recommended  
 Reduced maintenance:..... No  
 Task description:..... Clean the hub bearings

**Requirement source**

Source of requirement:..... MRB  
 Reference:..... D6-1234

**Source type**

Code:..... stc52  
 Source criticality:..... sc59

**Preliminary requirements****Required conditions***Table 22 Required conditions*

Action / Condition	Data module / Technical publication
Rear wheel removed	<a href="#">S1000DBIKE-AAA-DA0-20-00-00AA-520A-A</a>

**Required persons***Table 23 Required persons*

Persons	Category	Skill level	Trade/Trade code	Estimated time
Man B	Supervisor	Advanced	Bicycle mechanic	0,8 h
Man A	Basic user		Operator	0,3 h

**Support equipment***Table 24 Support equipment*

Name	Manufacturer / Part No.	Quantity	Remark
Specialist toolset	MFR: KZ666 /PN: BSK-TLST-001	1 EA	

**Consumables, materials and expendables***Table 25 Consumables, materials and expendables*

Name	Manufacturer / Part No.	Quantity	Remark
Degreasing agent	MFR: KZ222 /PN: LL-004	As required	

Applicable to: Mountain bicycle  
 and (Mountain storm Mk1 or  
 Brook trekker Mk9)

**S1000DBIKE-AAA-D05-20-00-00AA-000A-A**

Table 25 Consumables, materials and expendables (Continued)

Name	Manufacturer / Part No.	Quantity	Remark
General grease	MFR: KZ222 /PN: LL-005	As required	

## Spares

Table 26 Spares

Name	Manufacturer / Part No.	Quantity	Remark
None			

## Safety conditions

None

## Equipment

- Hubs  
MFR: KZ555 /PN: HB-002

## Supervise

Supervisor level:..... Low

## Limit

Perform periodically  
6 Month  
Inspection type: 6 Monthly  
Limit range:  
from: 6 Month ± 1

## Bicycle

### Scheduled maintenance checks

#### Table of contents

	Page
Scheduled maintenance checks .....	1
References .....	1
Inspection definitions .....	1

#### List of tables

1	References .....	1
---	------------------	---

### References

Table 1 References

Data module / Technical publication	Title
<a href="#">S1000DBIKE-AAA-D00-00-00-00AA-121A-A</a>	Bicycle – Pre-operation procedures (crew)

### Inspection definitions

Limits		Applicability
No.	Task	References
	<ul style="list-style-type: none"> <li>On condition</li> <li>Condition: Pre-ride</li> <li>1 Week <math>\pm</math> 1</li> <li>Inspection type: Pre</li> <li>Limit range: from: 1 Week <math>\pm</math> 1</li> </ul>	
001	Inspect Brakes To do an inspection of the brakes	<a href="#">S1000DBIKE-AAA-D00-00-00-00AA-121A-A</a>
002	Inspect brakes installation To do an inspection of the brakes installation	<a href="#">S1000DBIKE-AAA-D00-00-00-00AA-121A-A</a>
003	Check Tire Pressure To do a check of the tire pressure	<a href="#">S1000DBIKE-AAA-D00-00-00-00AA-121A-A</a>
004	Inspect wheel condition To do an inspection of the wheel condition	<a href="#">S1000DBIKE-AAA-D00-00-00-00AA-121A-A</a>

Applicable to: Mountain bicycle  
and (Mountain storm Mk1 or  
Brook trekker Mk9)

**S1000DBIKE-AAA-D05-40-00-00AA-000A-A**

---

(Continued)

---

**Limits** **Applicability**

---

No.	Task	References
005	Check headset bearings To do a check of the headset bearings	<a href="#">S1000DBIKE-AAA-D00-00-00-00AA-121A-A</a>
006	Carry out chain checks To do a check of the chain	<a href="#">S1000DBIKE-AAA-D00-00-00-00AA-121A-A</a>

---

# Wheel

## *Description of how it is made*

### Table of contents

	Page
Description of how it is made .....	1
References .....	1
Description .....	1
1 The bicycle wheel .....	1
1.1 Spokes .....	3
1.2 Wheel rim .....	3
1.3 Tube and tire .....	5

### List of tables

1	References .....	1
---	------------------	---

### List of figures

1	Parts of the wheel .....	2
2	The tire and rim .....	4
3	Valve .....	6

## *References*

Table 1 References

Data module / Technical publication	Title
None	

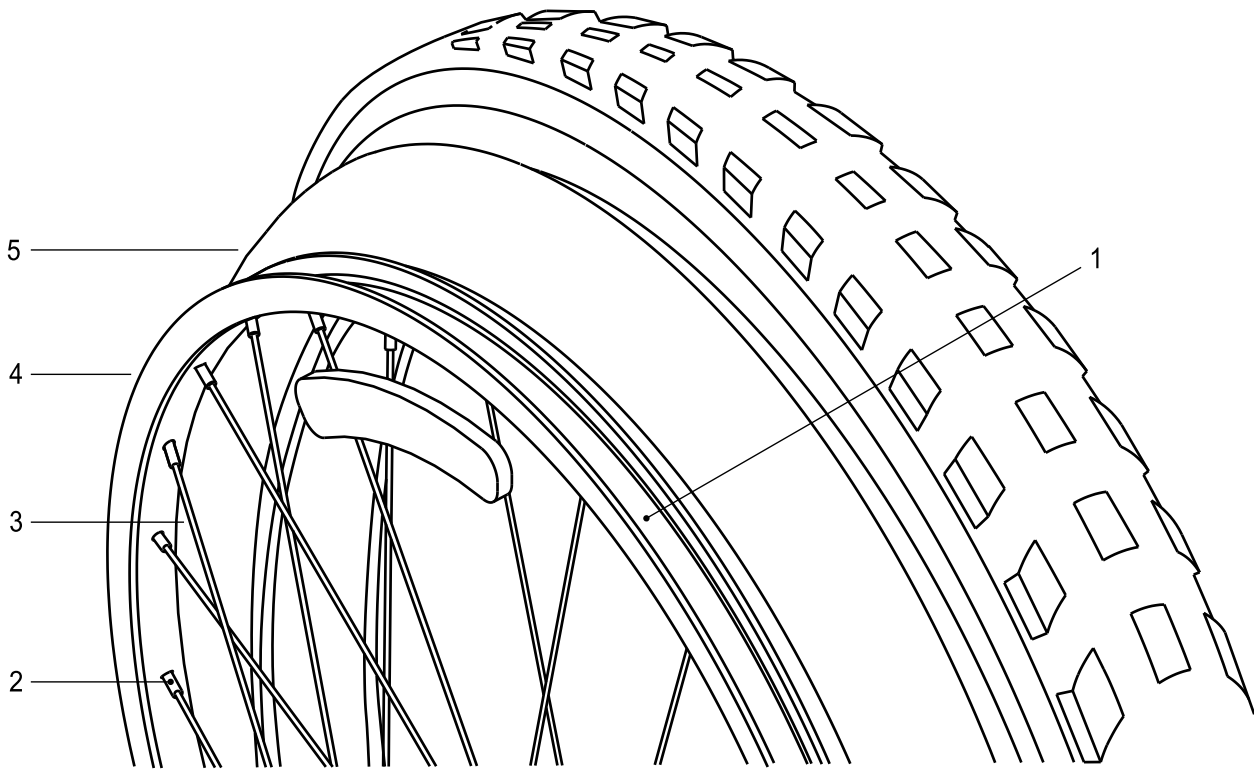
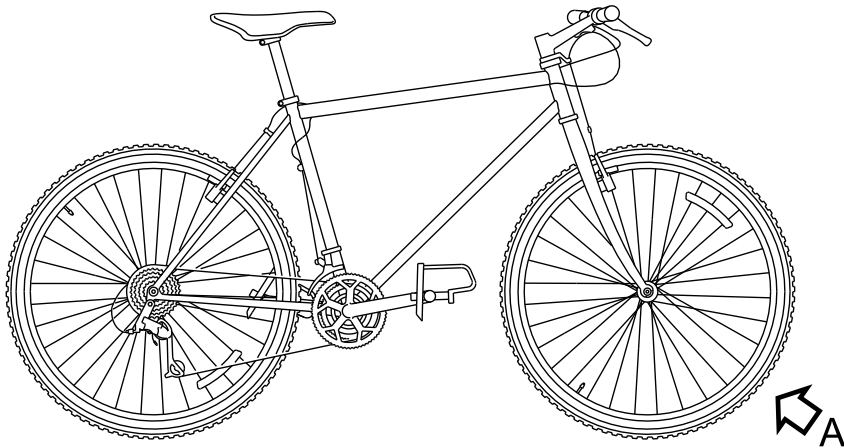
## *Description*

### 1 The bicycle wheel

The wheel (refer to [Fig 1](#)) of a bicycle is a complex structure. The wheel assembly has these parts:

- the tire
- the tube
- the spokes
- the spoke nipples
- the valve
- the hub

On their own, the individual components are not very strong. But, when they are installed together, the components make the complete wheel (refer to [Fig 1](#)). The complete wheel is resistant to almost any type of heavy loads and operation.



A

ICN-S1000DBIKE-AAA-DA00000-0-U8025-00504-A-04-1

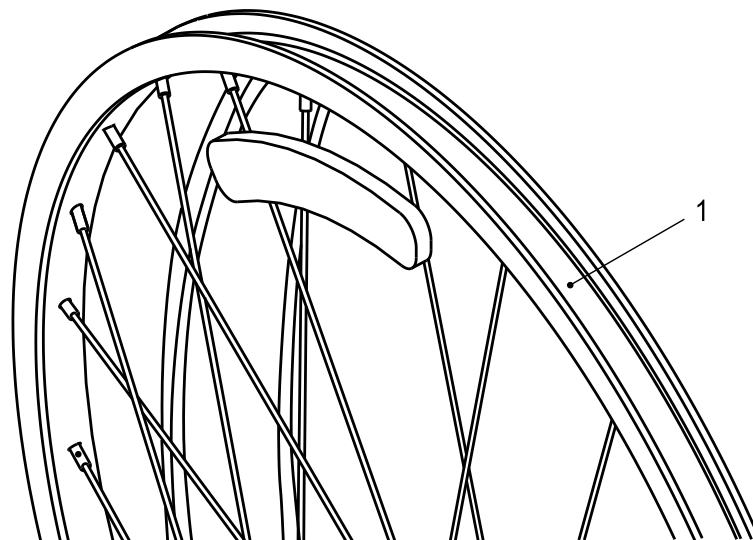
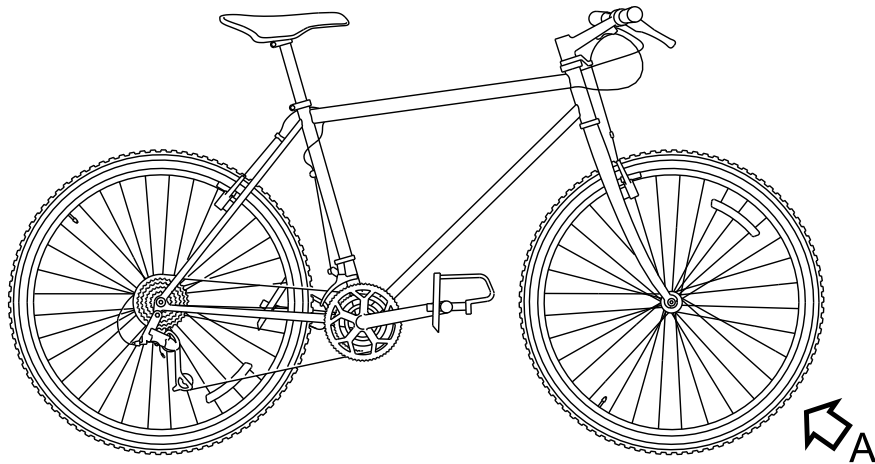
Fig 1 Parts of the wheel

## 1.1 Spokes

The spokes go out from the hub and go across and below each other. The spoke nipples attach the spokes to the rim with the threads on the end of the spokes. You can use the spoke nipples to adjust the tension of the spokes. The tension on each of the spokes must be equal.

## 1.2 Wheel rim

The rim (refer to [Fig 2](#)) of the wheel has a lining of rim tape. This tape protects the tube from damage that the rough edges on the spoke nipples can cause.



**A**

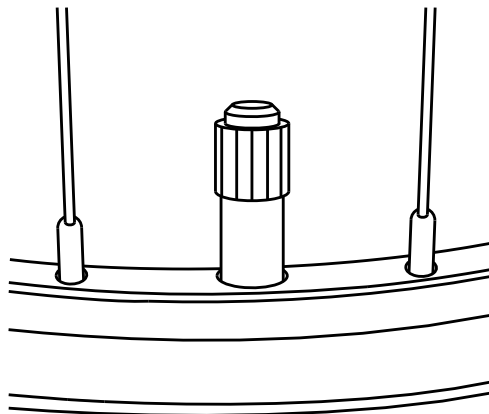
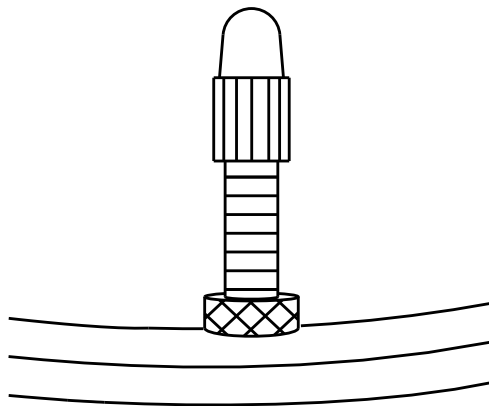
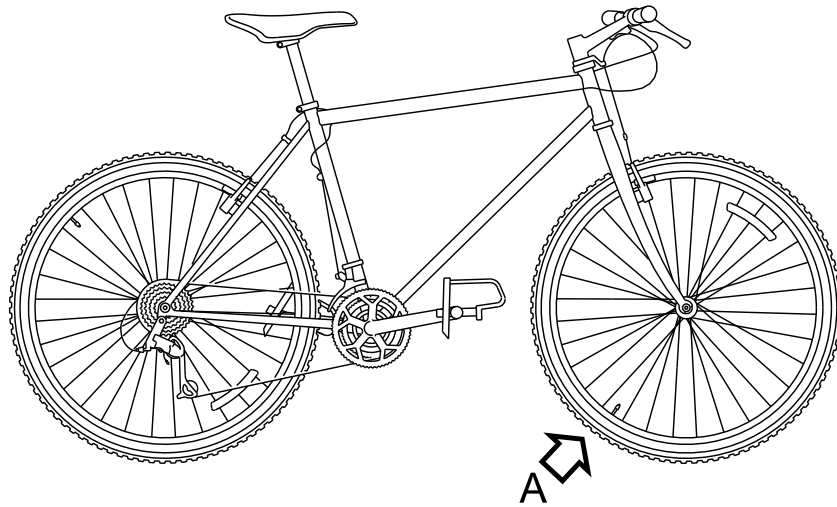
ICN-S1000DBIKE-AAA-DA00000-0-U8025-00504-B-04-1

*Fig 2 The tire and rim*



### 1.3 Tube and tire

The tube and the tire install on the rim. The sidewalls of the tire have markings on them. These which are used to indicate the correct direction of rotation. The markings also make sure the tire installs on the rim and that the directional arrows points in the correct direction. You install the tube into the tire before you inflate it. The tube has a valve (refer to [Fig 3](#)) which you put through the hole in the rim. This valve (refer to [Fig 3](#)) is used to inflate the tube and the tire to the correct pressure. A dust cap installs on the valve (refer to [Fig 3](#)) to prevent damage that dust and debris can cause.



A

ICN-S1000DBIKE-AAA-DA00000-0-U8025-00505-A-04-1  
Fig 3 Valve

## **Wheels**

### ***Description of how it is made: Knowledge Check***

**This is a "learning" Data Module**

**The Docuneering S1000D XSL-FO Stylesheets  
do not yet support the "learning" Data Module**

This is a draft copy of Issue 000-01  
Printed 2021-09-27 12:56

Produced by Docuneering Ltd using the S1000D - Publication Builder

Intentionally left blank.

## Inner tube

### *Remove and install a new item*

#### Table of contents

	Page
Remove and install a new item .....	1
References .....	1
Preliminary requirements .....	1
Procedure .....	2
Requirements after job completion .....	4

#### List of tables

1	References .....	1
2	Required conditions .....	1
3	Required persons .....	2
4	Support equipment .....	2
5	Consumables, materials and expendables .....	2
6	Spares .....	2
7	Required conditions .....	4

#### List of figures

1	Removing the inner tube .....	3
---	-------------------------------	---

### *References*

Table 1 References

Data module / Technical publication	Title
<a href="#">S1000DBIKE-AAA-DA0-10-20-00AA-215A-A</a>	Tire – Fill with air

### *Preliminary requirements*

#### Required conditions

Table 2 Required conditions

Action / Condition	Data module / Technical publication
The tire is removed.	<a href="#">S1000DBIKE-AAA-DA0-10-20-00AA-215A-A</a>

Applicable to: Mountain bicycle  
and (Mountain storm Mk1 or  
Brook trekker Mk9)

**S1000DBIKE-AAA-DA0-10-10-00AA-921A-A**

## Required persons

*Table 3 Required persons*

Persons	Category	Skill level	Trade/Trade code	Estimated time
Man A	Basic user		Operator	0,3 h

## Support equipment

*Table 4 Support equipment*

Name	Manufacturer / Part No.	Quantity	Remark
None			

## Consumables, materials and expendables

*Table 5 Consumables, materials and expendables*

Name	Manufacturer / Part No.	Quantity	Remark
None			

## Spares

*Table 6 Spares*

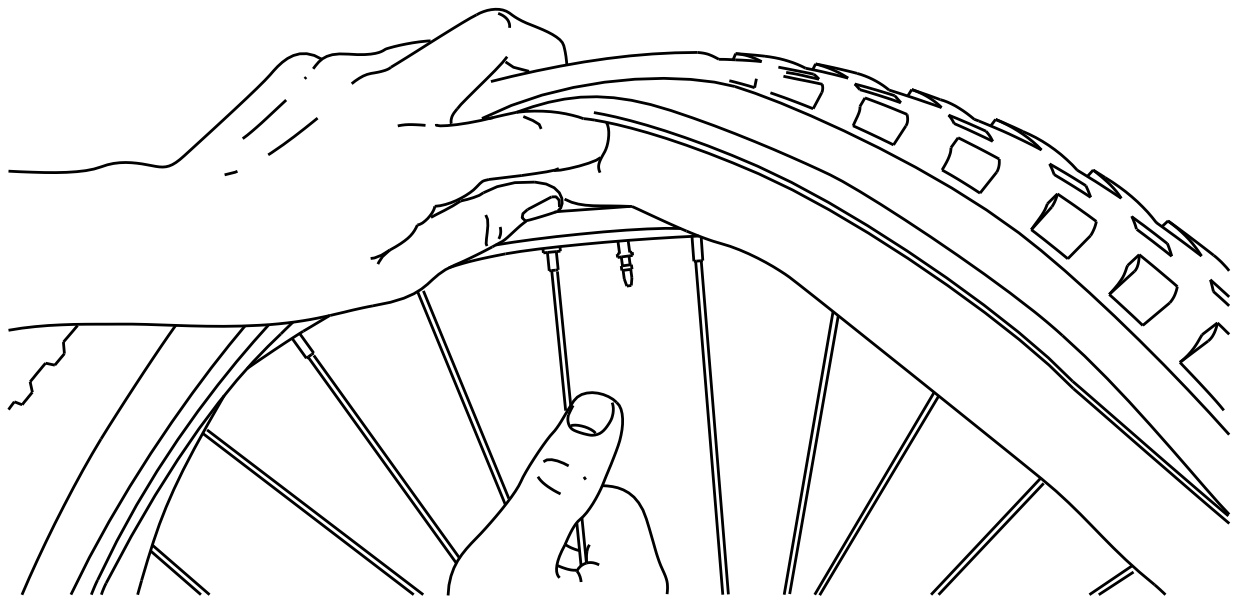
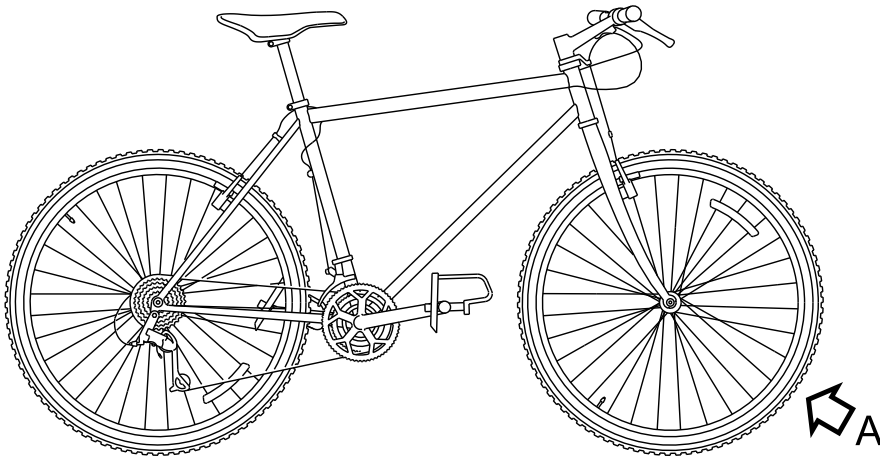
Name	Manufacturer / Part No.	Quantity	Remark
Inner tube	MFR: KT222 /PN: IT-001	1 EA	

## Safety conditions



## Procedure

- 1 Remove the old inner-tube.



ICN-S1000DBIKE-AAA-DA00000-0-U8025-00507-A-04-1

Fig 1 Removing the inner tube

2 Install the new [Inner tube](#).

This is a draft copy of issue 000-01  
Printed 2021-09-27 12:56

Produced by Docuneering Ltd using the S1000D - Publication Builder

---

***Requirements after job completion*****Required conditions***Table 7 Required conditions*

<b>Action / Condition</b>	<b>Data module / Technical publication</b>
Replace the tire.	
Inflate the tire with air.	<a href="#">S1000DBIKE-AAA-DA0-10-20-00AA-215A-A</a>



## Tire

### *Fill with air*

#### Table of contents

	Page
Fill with air .....	1
References .....	1
Preliminary requirements .....	1
Procedure .....	2
Requirements after job completion .....	3

#### List of tables

1	References .....	1
2	Required conditions .....	1
3	Required persons .....	1
4	Support equipment .....	2
5	Consumables, materials and expendables .....	2
6	Spares .....	2
7	Required conditions .....	3

### *References*

*Table 1 References*

Data module / Technical publication	Title
None	

### *Preliminary requirements*

#### Required conditions

*Table 2 Required conditions*

Action / Condition	Data module / Technical publication
None	

#### Required persons

*Table 3 Required persons*

Persons	Category	Skill level	Trade/Trade code	Estimated time
Man A	Basic user		Operator	

Applicable to: Mountain bicycle  
and (Mountain storm Mk1 or  
Brook trekker Mk9)

**S1000DBIKE-AAA-DA0-10-20-00AA-215A-A**

---

## Support equipment

*Table 4 Support equipment*

Name	Manufacturer / Part No.	Quantity	Remark
Specialist toolset	MFR: KZ666 /PN: BSK-TLST-001	1 EA	
Foot pump	MFR: KZ666 /PN: BSK-TLST-001-05	1 EA	
Tire pressure gauge	MFR: KZ666 /PN: BSK-TLST-001-01	1 EA	

## Consumables, materials and expendables

*Table 5 Consumables, materials and expendables*

Name	Manufacturer / Part No.	Quantity	Remark
None			

## Spares

*Table 6 Spares*

Name	Manufacturer / Part No.	Quantity	Remark
None			

## Safety conditions

None

### ***Procedure***

- 1 Ensure bicycle is on the repair stand.
- 2 Locate the deflated tire.
- 3 Attach the outlet valve of the [Foot pump](#), from the [Specialist toolset](#), to the valve of the deflated tire.
- 4 Inflate the tire.
  - 4.1 Operate the foot pump to pump air into the tire.
  - 4.2 Check tire pressure. Refer to [S1000DBIKE-AAA-DA0-10-20-00AA-362B-A](#)

---

## *Requirements after job completion*

### Required conditions

*Table 7 Required conditions*

Action / Condition	Data module / Technical publication
None	

This is a draft copy of Issue 000-01  
Printed 2021-09-27 12:56

Produced by Docuneering Ltd using the S1000D - Publication Builder

Intentionally left blank.

## Tire

### Check pressure

#### Table of contents

	Page
Check pressure .....	1
References .....	1
Preliminary requirements .....	1
Procedure .....	2
Requirements after job completion .....	3

#### List of tables

1	References .....	1
2	Required conditions .....	1
3	Required persons .....	2
4	Support equipment .....	2
5	Consumables, materials and expendables .....	2
6	Spares .....	2
7	Required conditions .....	3

### References

Table 1 References

Data module / Technical publication	Title
<a href="#">S1000DBIKE-AAA-DA0-10-20-00AA-215A-A</a>	Tire – Fill with air
<a href="#">S1000DBIKE-AAA-DA0-10-10-00AA-921A-A</a>	Inner tube – Remove and install a new item

### Preliminary requirements

#### Required conditions

Table 2 Required conditions

Action / Condition	Data module / Technical publication
None	

Applicable to: Mountain bicycle  
and (Mountain storm Mk1 or  
Brook trekker Mk9)

**S1000DBIKE-AAA-DA0-10-20-00AA-362B-A**

## Required persons

Table 3 Required persons

Persons	Category	Skill level	Trade/Trade code	Estimated time
Man A	Basic user		Operator	0,3 h

## Support equipment

Table 4 Support equipment

Name	Manufacturer / Part No.	Quantity	Remark
Tire pressure gauge	MFR: KZ666 /PN: BSK-TLST-001-01	1 EA	

## Consumables, materials and expendables

Table 5 Consumables, materials and expendables

Name	Manufacturer / Part No.	Quantity	Remark
None			

## Spares

Table 6 Spares

Name	Manufacturer / Part No.	Quantity	Remark
None			

## Safety conditions

None

## Procedure

- 1 Locate the valve stem of tire.
- 2 Use the tire pressure gauge ([Tire pressure gauge](#)) to check the tire pressure.
- 3 Tire pressure should be between 2000 hPa to 2700 hPa.
- 3.1 If tire pressure is less than 2000 hPa inflate tire. Refer to [S1000DBIKE-AAA-DA0-10-20-00AA-215A-A](#)
- 3.2 If the tire cannot maintain pressure or the tire pressure is greater than 2700 hPa replace the inner tube. Refer to [S1000DBIKE-AAA-DA0-10-10-00AA-921A-A](#)

---

## *Requirements after job completion*

### Required conditions

*Table 7 Required conditions*

Action / Condition	Data module / Technical publication
None	

Intentionally left blank.



## Front wheel

### *Fault reports and isolation procedures*

#### Table of contents

	Page
Fault reports and isolation procedures .....	1
References .....	1
Preliminary requirements .....	2
Requirements after job completion .....	3

#### List of tables

1	References .....	1
2	Required conditions .....	2
3	Support equipment .....	2
4	Consumables, materials and expendables .....	2
5	Spares .....	2
6	Required conditions .....	3

### *References*

Table 1 References

Data module / Technical publication	Title
S1000DBIKE-AAA-DA0-10-20-00AA-215A-A	Tire – Fill with air
S1000DBIKE-AAA-DA0-10-20-00AA-921A-A	Tire – Remove and install a new item
S1000DBIKE-AAA-DA0-10-10-00AA-921A-A	Inner tube – Remove and install a new item

### *Fault isolation procedure*

#### Fault code

NYCJD04

#### Fault description

Tire does not function correctly

***Preliminary requirements***

**Required conditions**

*Table 2 Required conditions*

Action / Condition	Data module / Technical publication
None	

**Support equipment**

*Table 3 Support equipment*

Name	Manufacturer / Part No.	Quantity	Remark
Tire pressure gauge	MFR: KZ666 /PN: BSK-TLST-001-01	1 EA	
Specialist toolset	MFR: KZ666 /PN: BSK-TLST-001	1 EA	

**Consumables, materials and expendables**

*Table 4 Consumables, materials and expendables*

Name	Manufacturer / Part No.	Quantity	Remark
None			

**Spares**

*Table 5 Spares*

Name	Manufacturer / Part No.	Quantity	Remark
None			

**Safety conditions**

None

***Isolation procedure***

- 1 Use the tire pressure gauge ([Tire pressure gauge](#)) to do a check of the pressure  
What is the tire pressure reading?
- 1.1 More than 2700 hPa [Step 2](#)
- 1.2 Between 100 hPa and 2700 hPa [Step 3](#)
- 1.3 Less than 100 hPa [Step 4](#)

- 
- 2 Deflate the tire until the pressure is 2700 hPa  
**Go to requirements after job completion**
- 3 Inflate the tire as given in [S1000DBIKE-AAA-DA0-10-20-00AA-215A-A](#)  
**Go to requirements after job completion**
- 4 To do a check of the tire for damage  
Is there damage to the tire?
- 4.1 Yes: Go to [Step 5](#)
- 4.2 No: Go to [Step 6](#)
- 5 Replace the tire (refer to [S1000DBIKE-AAA-DA0-10-20-00AA-921A-A](#))  
**Go to requirements after job completion**
- 6 Replace the inner-tube (refer to [S1000DBIKE-AAA-DA0-10-10-00AA-921A-A](#))  
**Go to requirements after job completion**

### ***Requirements after job completion***

### **Required conditions**

*Table 6 Required conditions*

<b>Action / Condition</b>	<b>Data module / Technical publication</b>
None	

Intentionally left blank.

**Front wheel**

***Remove procedures: Interactive content - Procedure***

**This is a "learning" Data Module**

**The Docuneering S1000D XSL-FO Stylesheets  
do not yet support the "learning" Data Module**

This is a draft copy of Issue 000-01  
Printed 2021-09-27 12:56

Produced by Docuneering Ltd using the S1000D - Publication Builder

Intentionally left blank.

## Tire

### *Remove and install a new item*

#### Table of contents

	Page
Remove and install a new item .....	1
References .....	1
Preliminary requirements .....	1
Procedure .....	2
Requirements after job completion .....	3

#### List of tables

1	References .....	1
2	Required conditions .....	1
3	Required persons .....	2
4	Support equipment .....	2
5	Consumables, materials and expendables .....	2
6	Spares .....	2
7	Required conditions .....	3

### *References*

*Table 1 References*

Data module / Technical publication	Title
<a href="#">S1000DBIKE-AAA-DA1-00-00-00AA-341A-A</a>	Brake system – Manual test
<a href="#">S1000DBIKE-AAA-DA0-10-20-00AA-215A-A</a>	Tire – Fill with air

### *Preliminary requirements*

#### Required conditions

*Table 2 Required conditions*

Action / Condition	Data module / Technical publication
None	

Applicable to: Mountain bicycle  
and (Mountain storm Mk1 or  
Brook trekker Mk9)

**S1000DBIKE-AAA-DA0-10-20-00AA-921A-A**

## Required persons

Table 3 Required persons

Persons	Category	Skill level	Trade/Trade code	Estimated time
Man A	Basic user		Operator	0,3 h

## Support equipment

Table 4 Support equipment

Name	Manufacturer / Part No.	Quantity	Remark
Specialist toolset	MFR: KZ666 /PN: BSK-TLST-001	1 EA	
Tire lever	MFR: KZ666 /PN: BSK-TLST-001-04	1 EA	
Tire pressure gauge	MFR: KZ666 /PN: BSK-TLST-001-01	1 EA	

## Consumables, materials and expendables

Table 5 Consumables, materials and expendables

Name	Manufacturer / Part No.	Quantity	Remark
None			

## Spares

Table 6 Spares

Name	Manufacturer / Part No.	Quantity	Remark
Tire	MFR: KT666 /PN: TIRES-010101	1 EA	

## Safety conditions

None

## Procedure

- 1 Lift and turn the bicycle and make sure the bicycle is held safely in this position.
- 2 Use a standard wrench from the [Specialist toolset](#) and loosen the brake caliper.
- 3 Remove the axle bolt.
- 4 Remove the wheel.
- 5 Deflate the tire.



- 
- 6 Use the [Tire lever](#) from the [Specialist toolset](#) and remove the old tire from the wheel.
  - 7 Use the [Tire lever](#) from the [Specialist toolset](#) and attach the new [Tire](#) to the wheel. Refer to [S1000DBIKE-AAA-DA0-00-00AA-041A-A](#)
  - 8 Inflate the tire (refer to [S1000DBIKE-AAA-DA0-10-20-00AA-215A-A](#)).
  - 9 Install the wheel.
  - 10 Tighten the axle bolt.
  - 11 Tighten the brake caliper.

### ***Requirements after job completion***

#### **Required conditions**

*Table 7 Required conditions*

<b>Action / Condition</b>	<b>Data module / Technical publication</b>
Lift and turn the bicycle to the correct position.	
Do a test of the brakes as given in the brake test procedure.	<a href="#">S1000DBIKE-AAA-DA1-00-00AA-341A-A</a>

Intentionally left blank.

## Rear wheel

### *Detected fault*

#### Table of contents

	Page
Detected fault .....	1
References .....	1
Fault reporting .....	1

#### List of tables

1	References .....	1
---	------------------	---

### *References*

*Table 1 References*

Data module / Technical publication	Title
None	

### *Fault reporting*

#### Fault code

NYCJD00

#### Fault description

The rear wheel does not operate correctly

#### Fault detection

Type: Major

#### 1 Detected LRU

Line replaceable unit

Nomenclature	Identification
Tire	MFR: KT666 /PN: TIRES-010101

#### Isolate detected fault

#### 1 Fault isolation test – LRU

Applicable to: Mountain bicycle  
and (Mountain storm Mk1 or  
Brook trekker Mk9)

**S1000DBIKE-AAA-DA0-20-00-00AA-412A-A**

---

**Line replaceable unit**

---

**Nomenclature**

---

**Identification**

---

Rear wheel

---

MFR: KZ333 /PN: WH-001

---

## Remarks

Prepare the rear wheel for the removal of the tire

## Rear wheel

### *Remove procedures*

#### Table of contents

	Page
Remove procedures .....	1
References .....	1
Preliminary requirements .....	1
Procedure .....	2
Requirements after job completion .....	2

#### List of tables

1	References .....	1
2	Required conditions .....	1
3	Required persons .....	1
4	Support equipment .....	2
5	Consumables, materials and expendables .....	2
6	Spares .....	2
7	Required conditions .....	2

### *References*

*Table 1 References*

Data module / Technical publication	Title
None	

### *Preliminary requirements*

#### Required conditions

*Table 2 Required conditions*

Action / Condition	Data module / Technical publication
None	

#### Required persons

*Table 3 Required persons*

Persons	Category	Skill level	Trade/Trade code	Estimated time
As required				

Applicable to: Mountain bicycle  
and (Mountain storm Mk1 or  
Brook trekker Mk9)

**S1000DBIKE-AAA-DA0-20-00-00AA-520A-A**

## Support equipment

*Table 4 Support equipment*

Name	Manufacturer / Part No.	Quantity	Remark
None			

## Consumables, materials and expendables

*Table 5 Consumables, materials and expendables*

Name	Manufacturer / Part No.	Quantity	Remark
None			

## Spares

*Table 6 Spares*

Name	Manufacturer / Part No.	Quantity	Remark
None			

## Safety conditions

None

### ***Procedure***

- 1 Hold the rear of the bicycle.
- 2 Push the wheel forwards and down to disengage the chain from the sprocket.
- 3 Turn the wheel to the side and lift it away from the frame.
- 4 Put the frame on the floor.

### ***Requirements after job completion***

## Required conditions

*Table 7 Required conditions*

Action / Condition	Data module / Technical publication
None	

## Front wheel

### *Remove procedures*

#### Table of contents

	Page
Remove procedures .....	1
References .....	1
Preliminary requirements .....	1
Procedure .....	2
Requirements after job completion .....	3

#### List of tables

1	References .....	1
2	Required conditions .....	1
3	Required persons .....	1
4	Support equipment .....	2
5	Consumables, materials and expendables .....	2
6	Spares .....	2
7	Required conditions .....	3

### *References*

*Table 1 References*

Data module / Technical publication	Title
None	

### *Preliminary requirements*

#### Required conditions

*Table 2 Required conditions*

Action / Condition	Data module / Technical publication
None	

#### Required persons

*Table 3 Required persons*

Persons	Category	Skill level	Trade/Trade code	Estimated time
As required				

Applicable to: Mountain bicycle  
and (Mountain storm Mk1 or  
Brook trekker Mk9)

**S1000DBIKE-AAA-DA0-30-00-00AA-520A-A**

## Support equipment

Table 4 Support equipment

Name	Manufacturer / Part No.	Quantity	Remark
<b>Applicable to:</b> Mountain bicycle and (Mountain storm Mk1 or Brook trekker Mk9)			
Specialist toolset	MFR: KZ666 /PN: BSK-TLST-001	1 EA	

## Consumables, materials and expendables

Table 5 Consumables, materials and expendables

Name	Manufacturer / Part No.	Quantity	Remark
None			

## Spares

Table 6 Spares

Name	Manufacturer / Part No.	Quantity	Remark
None			

## Safety conditions

None

## Procedure

**Applicable to:** Mountain bicycle and (Mountain storm Mk1 or Brook trekker Mk9)

1 Hold the front of the bicycle.

**Applicable to:** Mountain bicycle and (Mountain storm Mk1 or Brook trekker Mk9)

2 Use the ([Specialist toolset](#)) to disengage the fork from the chainring by pushing the wheel forwards and down.

**Applicable to:** Mountain bicycle and (Mountain storm Mk1 or Brook trekker Mk9)

3 Lift the wheel away from the frame.

**Applicable to:** Mountain bicycle and (Mountain storm Mk1 or Brook trekker Mk9)

4 Put the frame on the floor.



---

## *Requirements after job completion*

### Required conditions

*Table 7 Required conditions*

Action / Condition	Data module / Technical publication
None	

This is a draft copy of Issue 000-01  
Printed 2021-09-27 12:56

Produced by Docuneering Ltd using the S1000D - Publication Builder

Intentionally left blank.

## Front wheel

### *Install procedures*

#### Table of contents

	Page
Install procedures .....	1
References .....	1
Preliminary requirements .....	1
Procedure .....	2
Requirements after job completion .....	3

#### List of tables

1	References .....	1
2	Required conditions .....	1
3	Required persons .....	1
4	Support equipment .....	2
5	Consumables, materials and expendables .....	2
6	Spares .....	2
7	Required conditions .....	3

### *References*

*Table 1 References*

Data module / Technical publication	Title
None	

### *Preliminary requirements*

#### Required conditions

*Table 2 Required conditions*

Action / Condition	Data module / Technical publication
None	

#### Required persons

*Table 3 Required persons*

Persons	Category	Skill level	Trade/Trade code	Estimated time
As required				

Applicable to: Mountain bicycle  
and (Mountain storm Mk1 or  
Brook trekker Mk9)

**S1000DBIKE-AAA-DA0-30-00-00AA-720A-A**

## Support equipment

Table 4 Support equipment

Name	Manufacturer / Part No.	Quantity	Remark
<b>Applicable to:</b> Mountain bicycle and (Mountain storm Mk1 or Brook trekker Mk9)			
Specialist toolset	MFR: KZ666 /PN: BSK-TLST-001	1 EA	

## Consumables, materials and expendables

Table 5 Consumables, materials and expendables

Name	Manufacturer / Part No.	Quantity	Remark
None			

## Spares

Table 6 Spares

Name	Manufacturer / Part No.	Quantity	Remark
None			

## Safety conditions

None

## Procedure

**Applicable to:** Mountain bicycle and (Mountain storm Mk1 or Brook trekker Mk9)

1 **Note 1**

It is necessary to install the fork and the brakes before installing the wheel

**Applicable to:** Mountain bicycle and (Mountain storm Mk1 or Brook trekker Mk9)

2 Hold the front of the bicycle.

**Applicable to:** Mountain bicycle and (Mountain storm Mk1 or Brook trekker Mk9)

3 Install the wheel with ([Specialist toolset](#)) and be careful to not damage the chainring.

**Applicable to:** Mountain bicycle and (Mountain storm Mk1 or Brook trekker Mk9)

4 Put the bike on the floor.

---

## *Requirements after job completion*

### Required conditions

*Table 7 Required conditions*

Action / Condition	Data module / Technical publication
None	

This is a draft copy of Issue 000-01  
Printed 2021-09-27 12:56

Produced by Docuneering Ltd using the S1000D - Publication Builder

Intentionally left blank.

## Brake system

### *Description of how it is made*

#### Table of contents

	Page
Description of how it is made .....	1
References .....	1
Description .....	1
1 Brake system .....	1
1.1 Cantilever brake .....	1
1.2 Brake pads .....	4
1.3 Brake lever .....	6

#### List of tables

1	References .....	1
---	------------------	---

#### List of figures

1	Cantilever brake with straddle cable .....	3
2	Exploded diagram of a brake .....	5
3	Typical components of a mountain bicycle lever .....	7

### **References**

Table 1 References

Data module / Technical publication	Title
None	

### **Description**

#### **1 Brake system**

The most important part of the bicycle is the brake system. Only a minimum maintenance of the brake system is necessary. But, when a problem does occur, make sure you to do the necessary maintenance as quickly as possible. If you do not do this the bicycle will be dangerous to use.

There are nine different types of brake systems. The one found on most bicycles is the cantilever brake (refer to [Para 1.1](#)).

#### **1.1 Cantilever brake**

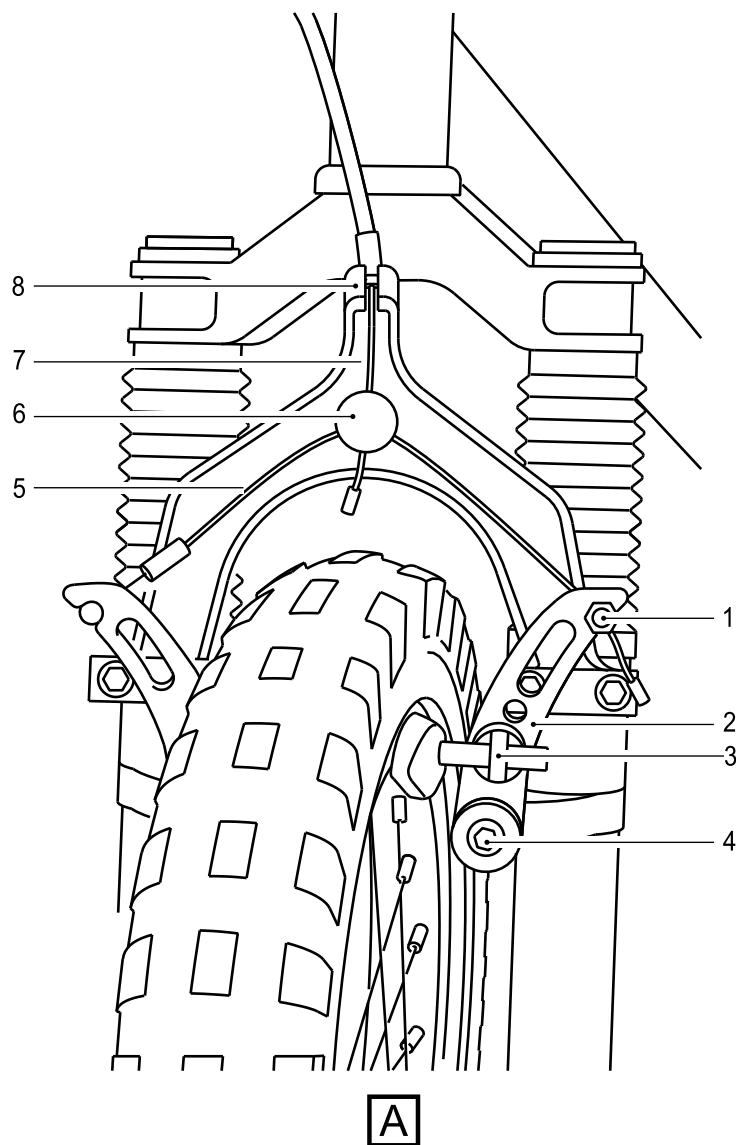
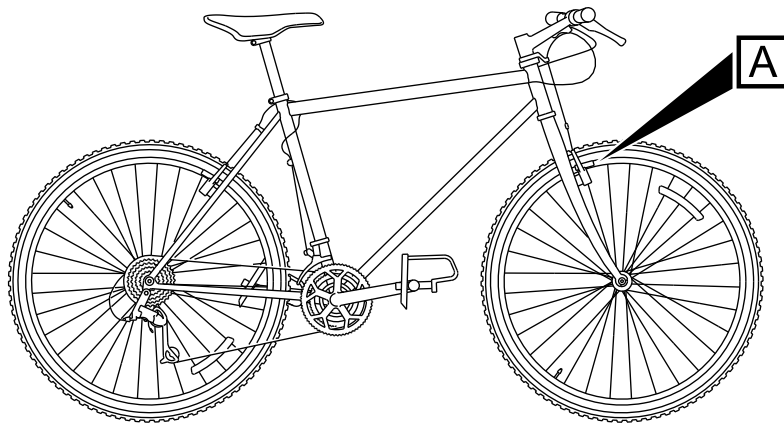
The brake system (refer to [Fig 1](#)) has these primary components:

- the brake lever (refer to [Para 1.3](#))
- the brake cable

---

the brake arm  
the brake clamp (also known as callipers)  
the brake pads (refer to [Para 1.2](#))





ICN-S1000DBIKE-AAA-DA10000-0-U8025-00512-A-04-1

Fig 1 Cantilever brake with straddle cable

This is a draft copy of Issue 000-01  
Printed 2021-09-27 12:56

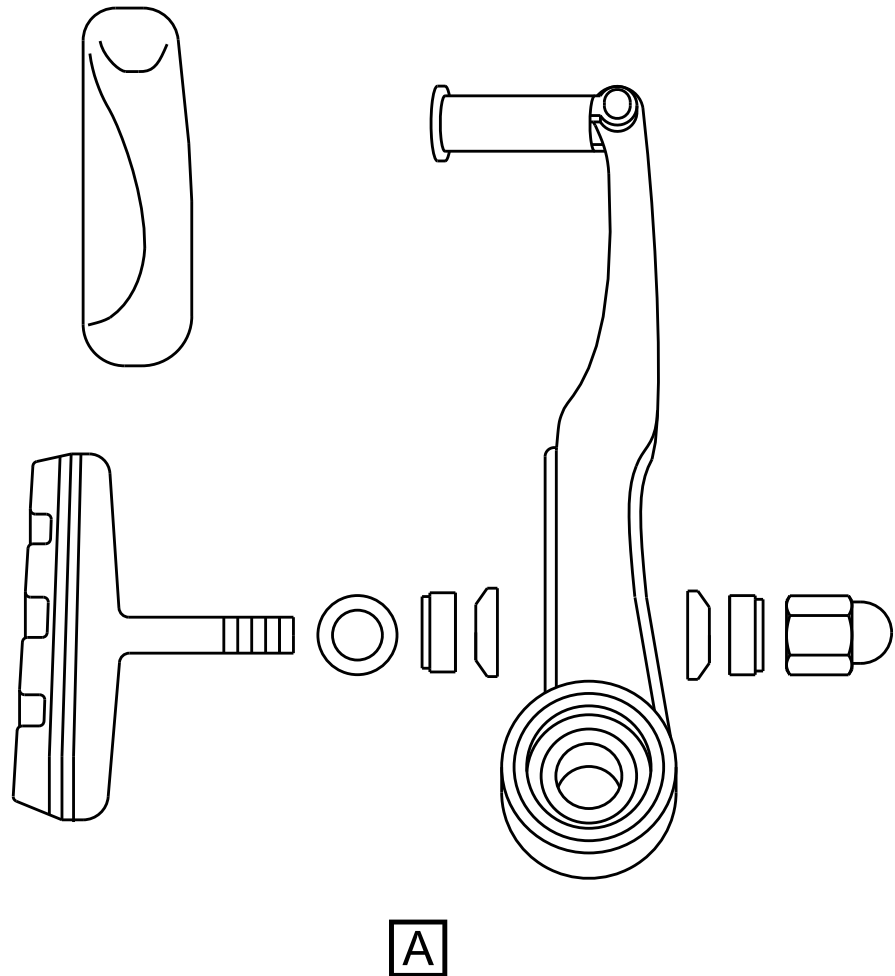
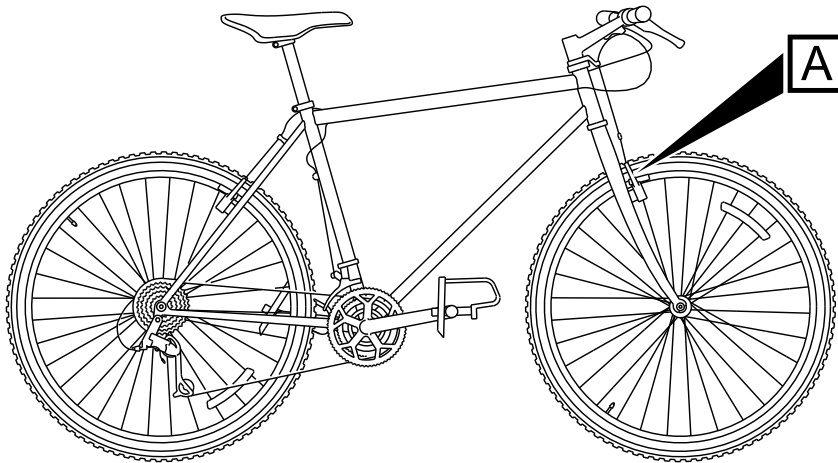
Produced by Docuneering Ltd using the S1000D - Publication Builder

---

A cable that goes from the brake levers on the handlebars pulls the two levers on the brakes together. This presses the brake pads against the outer rim of the wheel, which decreases the speed of the bicycle.

## 1.2 Brake pads

There are four brake pads (refer to [Fig 2](#)) on the bicycle. Two are found on the front wheel and two on the rear wheel. The brake pads are made out of hard wearing rubber. The pads press against the rim of the wheel to cause friction when the you operate the brake levers.



ICN-S1000DBIKE-AAA-DA10000-0-U8025-00513-A-04-1

Fig 2 Exploded diagram of a brake

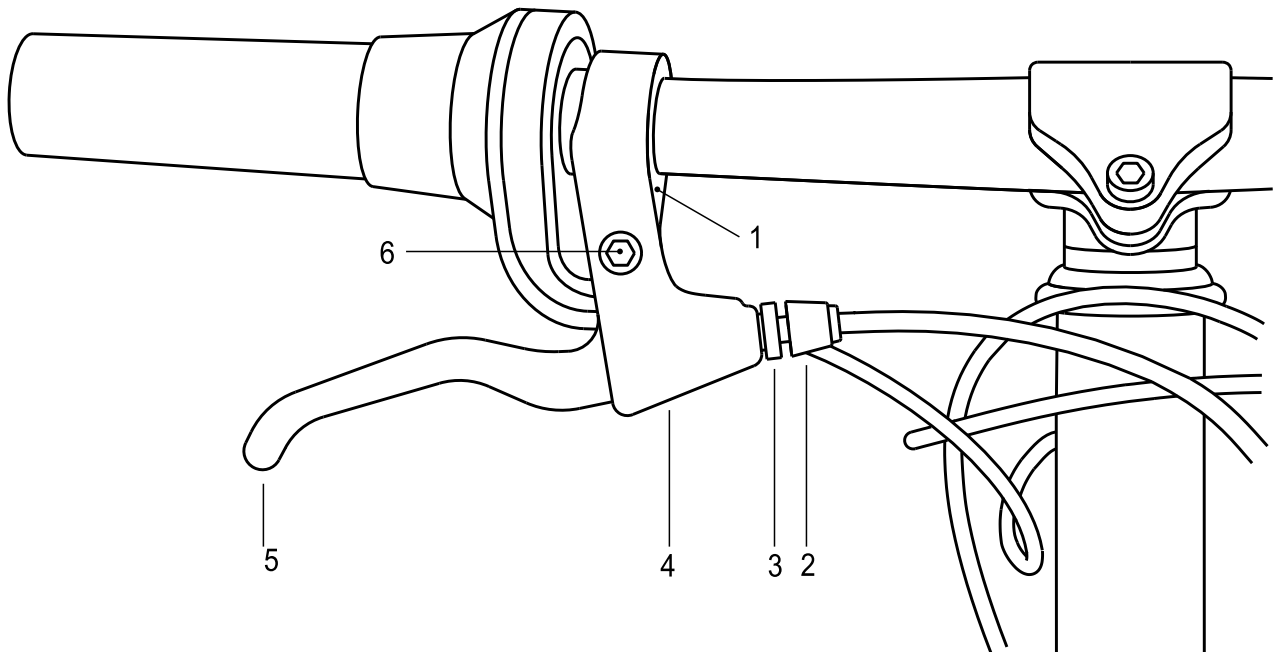
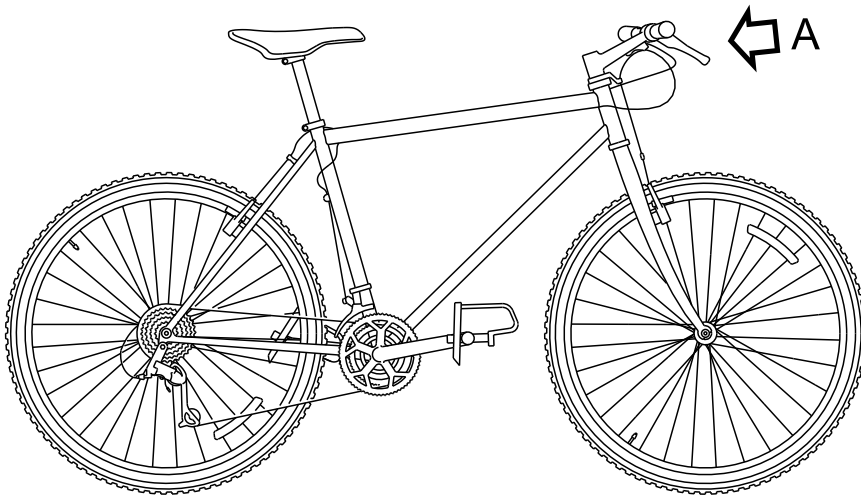
This is a draft copy of Issue 000-01  
Printed 2021-09-27 12:56

Produced by Docuneering Ltd using the S1000D - Publication Builder

---

## 1.3 Brake lever

The brake levers (refer to [Fig 3](#)) are easily damaged. The lever is installed in the mount. A clamp bolt holds the mount. This bolt is not visible because it is found in the mount. The lever turns on a lever pivot bolt. The adjuster lock nut holds the brake cable. This lock nut adjusts the tension of the cable.



ICN-S1000DBIKE-AAA-DA10000-0-U8025-00514-A-04-1

Fig 3 Typical components of a mountain bicycle lever

This is a draft copy of Issue 000-01  
Printed 2021-09-27 12:56

Produced by Docuneering Ltd using the S1000D - Publication Builder

---

The left brake lever holds the brake pads on the front wheel and the right brake pads hold the brakes on the rear wheel.

## Brake system

### Manual test

#### Table of contents

	Page
Manual test .....	1
References .....	1
Preliminary requirements .....	1
Procedure .....	2
Requirements after job completion .....	2

#### List of tables

1	References .....	1
2	Required conditions .....	1
3	Required persons .....	1
4	Support equipment .....	2
5	Consumables, materials and expendables .....	2
6	Spares .....	2
7	Required conditions .....	2

### References

Table 1 References

Data module / Technical publication	Title
None	

### Preliminary requirements

#### Required conditions

Table 2 Required conditions

Action / Condition	Data module / Technical publication
None	

#### Required persons

Table 3 Required persons

Persons	Category	Skill level	Trade/Trade code	Estimated time
Man A	Basic user		Operator	0,3 h

Applicable to: Mountain bicycle  
and (Mountain storm Mk1 or  
Brook trekker Mk9)

S1000DBIKE-AAA-DA1-00-00-00AA-341A-A

## Support equipment

*Table 4 Support equipment*

Name	Manufacturer / Part No.	Quantity	Remark
None			

## Consumables, materials and expendables

*Table 5 Consumables, materials and expendables*

Name	Manufacturer / Part No.	Quantity	Remark
None			

## Spares

*Table 6 Spares*

Name	Manufacturer / Part No.	Quantity	Remark
None			

## Safety conditions

None

### ***Procedure***

- 1 Put the bicycle in a vertical position.
- 2 Hold the handle bars and push the bicycle forwards.
- 3 Apply the brakes.
- 4 Make sure that the wheels lock and the bicycle stops.

### ***Requirements after job completion***

## Required conditions

*Table 7 Required conditions*

Action / Condition	Data module / Technical publication
None	



## Brake pads

### *Clean with rubbing alcohol*

#### Table of contents

	Page
Clean with rubbing alcohol .....	1
References .....	1
Preliminary requirements .....	1
Procedure .....	2
Requirements after job completion .....	3

#### List of tables

1	References .....	1
2	Required conditions .....	1
3	Required persons .....	1
4	Support equipment .....	2
5	Consumables, materials and expendables .....	2
6	Spares .....	2
7	Required conditions .....	3

### *References*

Table 1 References

Data module / Technical publication	Title
<a href="#">S1000DBIKE-AAA-D00-00-00AA-121A-A</a>	Bicycle – Pre-operation procedures (crew)

### *Preliminary requirements*

#### Required conditions

Table 2 Required conditions

Action / Condition	Data module / Technical publication
None	

#### Required persons

Table 3 Required persons

Persons	Category	Skill level	Trade/Trade code	Estimated time
Man A	Basic user		Operator	0,3 h

Applicable to: Mountain bicycle  
and (Mountain storm Mk1 or  
Brook trekker Mk9)

**S1000DBIKE-AAA-DA1-10-00-00AA-251A-A**

## Support equipment

*Table 4 Support equipment*

Name	Manufacturer / Part No.	Quantity	Remark
None			

## Consumables, materials and expendables

*Table 5 Consumables, materials and expendables*

Name	Manufacturer / Part No.	Quantity	Remark
Rubbing alcohol	MFR: KZ222 /PN: LL-002	As required	

## Spares

*Table 6 Spares*

Name	Manufacturer / Part No.	Quantity	Remark
None			

## Safety conditions

None

### ***Procedure***

- 1 Do a visual inspection of the brakes as given in the pre-ride checks (refer to [S1000DBIKE-AAA-D00-00-00-00AA-121A-A](#)).
- 2 Clean the brake pads.
  - 2.1 Find each of the brake pads.
  - 2.2 Apply a thin layer of the [Rubbing alcohol](#) on each of the brake pads.
  - 2.3 Rub the surface until you have applied the [Rubbing alcohol](#) to the complete surface of the pad.
  - 2.4 Remove the unwanted alcohol.

---

## *Requirements after job completion*

### Required conditions

*Table 7 Required conditions*

Action / Condition	Data module / Technical publication
None	

This is a draft copy of Issue 000-01  
Printed 2021-09-27 12:56

Produced by Docuneering Ltd using the S1000D - Publication Builder

Intentionally left blank.

## Front brake

### *Remove procedures*

#### Table of contents

	Page
Remove procedures .....	1
References .....	1
Preliminary requirements .....	1
Procedure .....	2
Requirements after job completion .....	2

#### List of tables

1	References .....	1
2	Required conditions .....	1
3	Required persons .....	1
4	Support equipment .....	2
5	Consumables, materials and expendables .....	2
6	Spares .....	2
7	Required conditions .....	2

### *References*

Table 1 References

Data module / Technical publication	Title
None	

### *Preliminary requirements*

#### Required conditions

Table 2 Required conditions

Action / Condition	Data module / Technical publication
None	

#### Required persons

Table 3 Required persons

Persons	Category	Skill level	Trade/Trade code	Estimated time
As required				

Applicable to: Mountain bicycle  
and (Mountain storm Mk1 or  
Brook trekker Mk9)

S1000DBIKE-AAA-DA1-20-00-00AA-520A-A

## Support equipment

Table 4 Support equipment

Name	Manufacturer / Part No.	Quantity	Remark
None			

## Consumables, materials and expendables

Table 5 Consumables, materials and expendables

Name	Manufacturer / Part No.	Quantity	Remark
None			

## Spares

Table 6 Spares

Name	Manufacturer / Part No.	Quantity	Remark
None			

## Safety conditions

None

## Procedure

**Applicable to:** Mountain bicycle and (Mountain storm Mk1 or Brook trekker Mk9)

1 Hold the front of the bicycle.

**Applicable to:** Mountain bicycle and (Mountain storm Mk1 or Brook trekker Mk9)

2 Remove the front brake forwards.

**Applicable to:** Mountain bicycle and (Mountain storm Mk1 or Brook trekker Mk9)

3 Put the frame on the floor.

## Requirements after job completion

## Required conditions

Table 7 Required conditions

Action / Condition	Data module / Technical publication
None	

## Front brake

### *Install procedures*

#### Table of contents

	Page
Install procedures .....	1
References .....	1
Preliminary requirements .....	1
Procedure .....	2
Requirements after job completion .....	3

#### List of tables

1	References .....	1
2	Required conditions .....	1
3	Required persons .....	1
4	Support equipment .....	2
5	Consumables, materials and expendables .....	2
6	Spares .....	2
7	Required conditions .....	3

### *References*

*Table 1 References*

Data module / Technical publication	Title
None	

### *Preliminary requirements*

#### Required conditions

*Table 2 Required conditions*

Action / Condition	Data module / Technical publication
None	

#### Required persons

*Table 3 Required persons*

Persons	Category	Skill level	Trade/Trade code	Estimated time
As required				

Applicable to: Mountain bicycle  
and (Mountain storm Mk1 or  
Brook trekker Mk9)

**S1000DBIKE-AAA-DA1-20-00-00AA-720A-A**

## Support equipment

Table 4 Support equipment

Name	Manufacturer / Part No.	Quantity	Remark
None			

## Consumables, materials and expendables

Table 5 Consumables, materials and expendables

Name	Manufacturer / Part No.	Quantity	Remark
None			

## Spares

Table 6 Spares

Name	Manufacturer / Part No.	Quantity	Remark
None			

## Safety conditions

None

## Procedure

**Applicable to:** Mountain bicycle and (Mountain storm Mk1 or Brook trekker Mk9)

1 **Note 1**  
It is necessary to install the fork before installing the brakes

**Applicable to:** Mountain bicycle and (Mountain storm Mk1 or Brook trekker Mk9)

2 Hold the front of the bicycle.

**Applicable to:** Mountain bicycle and (Mountain storm Mk1 or Brook trekker Mk9)

3 Install the front brakes on the fork.

**Applicable to:** Mountain bicycle and (Mountain storm Mk1 or Brook trekker Mk9)

4 Put the frame on the floor.



---

## *Requirements after job completion*

### Required conditions

*Table 7 Required conditions*

Action / Condition	Data module / Technical publication
None	

This is a draft copy of Issue 000-01  
Printed 2021-09-27 12:56

Produced by Docuneering Ltd using the S1000D - Publication Builder

Intentionally left blank.

## Steering

### *Description of how it is made*

#### Table of contents

	Page
Description of how it is made .....	1
References .....	1
Description .....	1
1 Steering .....	1
1.1 Handlebar .....	2
1.2 Headset .....	2
1.3 Stem .....	2

#### List of tables

1	References .....	1
---	------------------	---

### *References*

*Table 1 References*

Data module / Technical publication	Title
<a href="#">S1000DBIKE-AAA-DA2-20-00-00AA-520A-A</a>	Handlebar – Remove procedures
<a href="#">S1000DBIKE-AAA-DA2-20-00-00AA-720A-A</a>	Handlebar – Install procedures
<a href="#">S1000DBIKE-AAA-DA2-30-00-00AA-041A-A</a>	Headset – Description of how it is made
<a href="#">S1000DBIKE-AAA-DA2-30-00-00AA-520A-A</a>	Headset – Remove procedures
<a href="#">S1000DBIKE-AAA-DA2-30-00-00AA-720A-A</a>	Headset – Install procedures
<a href="#">S1000DBIKE-AAA-DA2-10-00-00AA-520A-A</a>	Stem – Remove procedures
<a href="#">S1000DBIKE-AAA-DA2-10-00-00AA-720A-A</a>	Stem – Install procedures

### *Description*

## 1 Steering

The steering on the bike is what enables the bike to manoeuvre in a given direction during travel. The steering system on the bike is made of three parts, they are:

[Para 1.1](#) The handlebar

[Para 1.2](#) The headset

[Para 1.3](#) The stem

---

## 1.1 Handlebar

This consists of a horizontal bar attached to the stem with handgrips at the end. Brake levers and shifters are also attached to this bar although they do not have any part in the steering mechanism. The handlebars manoeuvrability is a sideways swivelling action. The handlebars themselves do not provide this swivelling, the headset (also known as the steering tube) is the mechanism that enables the handlebars to swivel.

## 1.2 Headset

This mechanism is situated in front of the frame and connects the front fork to the stem and handlebars. The headset allows the handlebars to swivel left and right for steering purposes.

For a full description of the headset, refer to [S1000DBIKE-AAA-DA2-30-00-00AA-041A-A](#) .

## 1.3 Stem

The stem is a piece that attaches the handlebar to the steering tube. Basically the stem is just a threaded stem bolt situated inside the steerer tube and is what attaches the handlebars to the headset.

## Steering

*Description of how it is made: Knowledge Check*

**This is a "learning" Data Module**

**The Docuneering S1000D XSL-FO Stylesheets  
do not yet support the "learning" Data Module**

This is a draft copy of Issue 000-01  
Printed 2021-09-27 12:56

Produced by Docuneering Ltd using the S1000D - Publication Builder

Intentionally left blank.

## Stem

### *Remove procedures*

#### Table of contents

	Page
Remove procedures .....	1
References .....	1
Preliminary requirements .....	1
Procedure .....	2
Requirements after job completion .....	4

#### List of tables

1	References .....	1
2	Required conditions .....	1
3	Required persons .....	2
4	Support equipment .....	2
5	Consumables, materials and expendables .....	2
6	Spares .....	2
7	Required conditions .....	4

#### List of figures

1	Remove the bolt .....	3
---	-----------------------	---

### *References*

*Table 1 References*

Data module / Technical publication	Title
S1000DBIKE-AAA-DA2-20-00-00AA-520A-A	Handlebar – Remove procedures

### *Preliminary requirements*

#### Required conditions

*Table 2 Required conditions*

Action / Condition	Data module / Technical publication
Safety the bicycle in a bicycle stand and hold the front wheel off the ground	

Applicable to: Mountain bicycle  
and (Mountain storm Mk1 or  
Brook trekker Mk9)

S1000DBIKE-AAA-DA2-10-00-00AA-520A-A

## Required persons

*Table 3 Required persons*

Persons	Category	Skill level	Trade/Trade code	Estimated time
Man A	Bike Rider	Intermediate	Operator	1,5 h

## Support equipment

*Table 4 Support equipment*

Name	Manufacturer / Part No.	Quantity	Remark
Set of Allen wrenches	MFR: KZ666 /PN: BSK-TLST-001-13	1 EA	
Work stand	MFR: KZ555 /PN: Stand-001	1 EA	

## Consumables, materials and expendables

*Table 5 Consumables, materials and expendables*

Name	Manufacturer / Part No.	Quantity	Remark
None			

## Spares

*Table 6 Spares*

Name	Manufacturer / Part No.	Quantity	Remark
None			

## Safety conditions

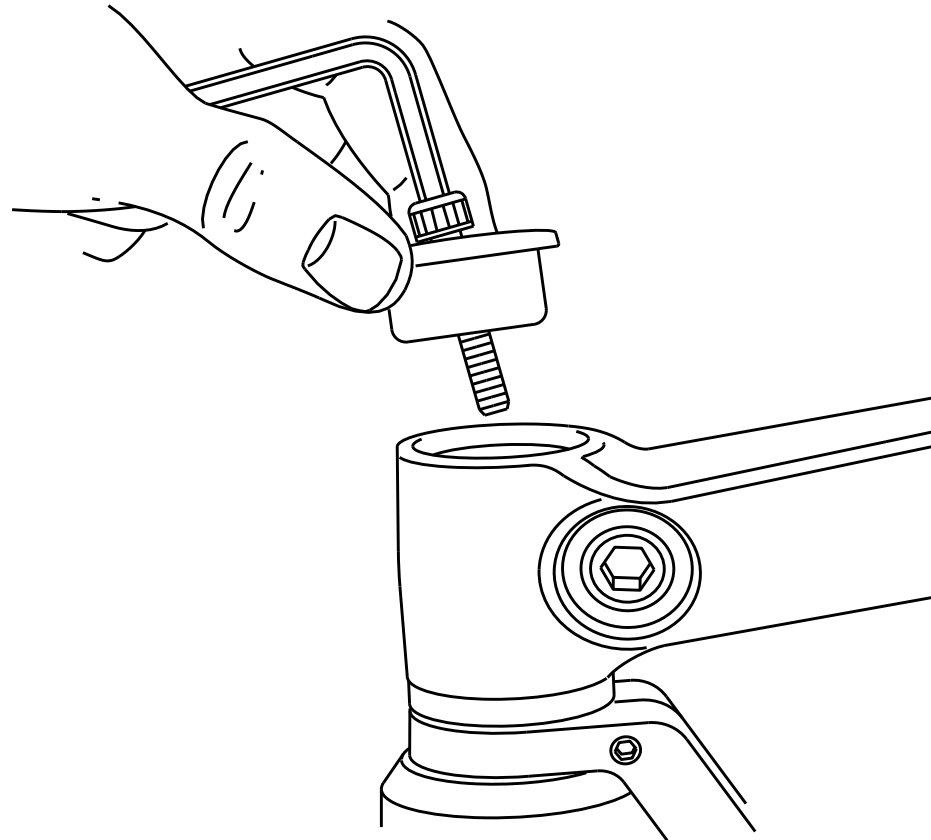
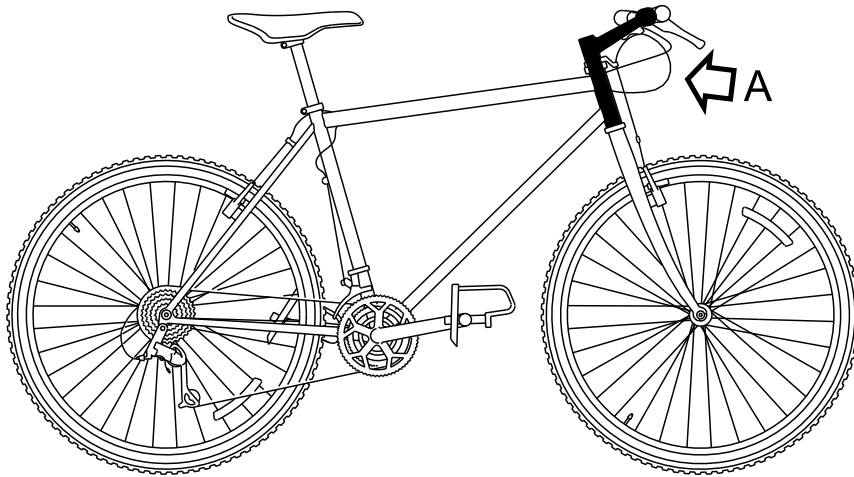
### Note 1

It is not necessary to remove the handlebar when you remove the stem to get access to the headset.

## ***Procedure***

- 1 Remove the handlebar [S1000DBIKE-AAA-DA2-20-00-00AA-520A-A](#)
- 2 Remove the stem.
  - 2.1 Remove the bolt in the center of the stem cap.





A

ICN-S1000DBIKE-AAA-DA21000-0-U8025-00531-A-04-1

Fig 1 Remove the bolt

This is a draft copy of Issue 000-01  
Printed 2021-09-27 12:56

Produced by Docuneering Ltd using the S1000D - Publication Builder

- 
- 2.2 Loosen the stem clam bolt with a [Set of Allen wrenches](#).
  - 2.3 Remove the stem from the steerer tube.
  - 2.4 Note: It is not necessary to remove the handlebar if you remove the stem to get access to the headset.

## ***Requirements after job completion***

### **Required conditions**

*Table 7 Required conditions*

<b>Action / Condition</b>	<b>Data module / Technical publication</b>
None	

## Stem

### *Install procedures*

#### Table of contents

	Page
Install procedures .....	1
References .....	1
Preliminary requirements .....	1
Procedure .....	3
Requirements after job completion .....	7

#### List of tables

1	References .....	1
2	Required conditions .....	1
3	Required persons .....	2
4	Support equipment .....	2
5	Consumables, materials and expendables .....	2
6	Spares .....	2
7	Required conditions .....	7

#### List of figures

1	Lubricate the thread .....	4
2	Tighten the bolt .....	6

### *References*

Table 1 References

Data module / Technical publication	Title
<a href="#">S1000DBIKE-AAA-DA2-20-00-00AA-720A-A</a>	Handlebar – Install procedures

### *Preliminary requirements*

#### Required conditions

Table 2 Required conditions

Action / Condition	Data module / Technical publication
Make sure the bicycle is held safely on a work stand with the front wheel free of the ground	

Applicable to: Mountain bicycle  
and (Mountain storm Mk1 or  
Brook trekker Mk9)

**S1000DBIKE-AAA-DA2-10-00-00AA-720A-A**

## Required persons

Table 3 Required persons

Persons	Category	Skill level	Trade/Trade code	Estimated time
Man A	Bike Rider	Intermediate	Operator	1,0 h

## Support equipment

Table 4 Support equipment

Name	Manufacturer / Part No.	Quantity	Remark
Clean dry cloth	MFR: KZ666 /PN: BSK-TLST-001-12	1 EA	
Work stand	MFR: KZ555 /PN: Stand-001	1 EA	

## Consumables, materials and expendables

Table 5 Consumables, materials and expendables

Name	Manufacturer / Part No.	Quantity	Remark
Rubbing alcohol	MFR: KZ222 /PN: LL-002	1 L	
General lubricant	MFR: KZ222 /PN: LL-001	1 L	

## Spares

Table 6 Spares

Name	Manufacturer / Part No.	Quantity	Remark
Stem	MFR: KZ555 /PN: St-001	1 EA	
Stem bolt	MFR: KZ555 /PN: St-001-01	1 EA	

## Safety conditions



**CAUTION**

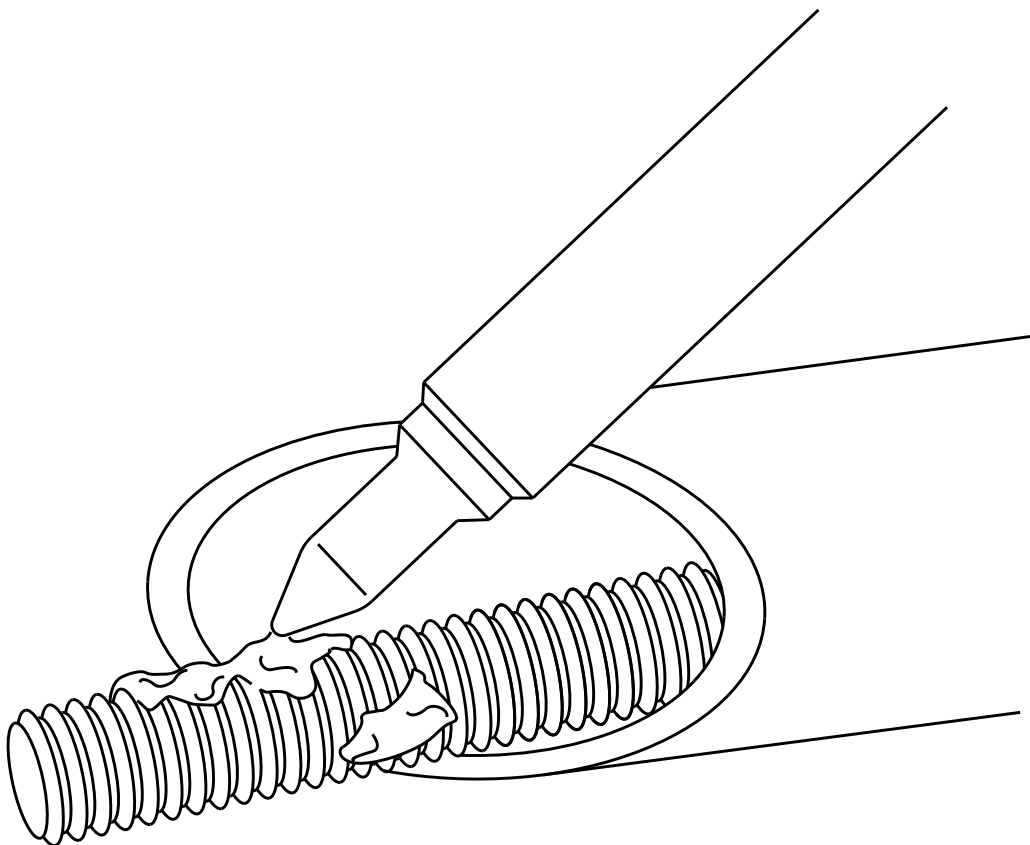
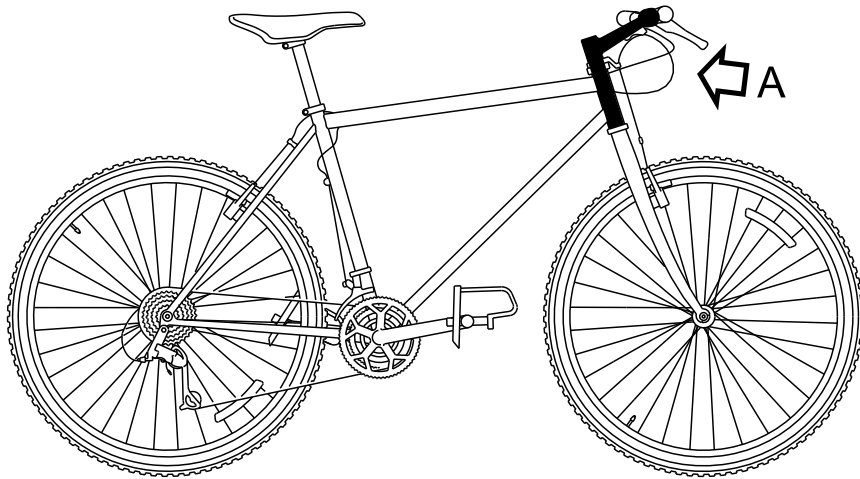
The stem bolt does not safety the stem.

**Note 1**

The stem must point forward in alignment with the wheel.

***Procedure***

- 1 Remove all the rust and the corrosion with a [Clean dry cloth](#) and [Rubbing alcohol](#).
- 2 Install the stem.
  - 2.1 Use a [General lubricant](#) and lubricate:
    - the threads of the [Stem](#) and [Stem bolt](#)
    - the sides
    - the top of the wedge



**A**

ICN-S1000DBIKE-AAA-DA21000-0-U8025-00529-A-04-1

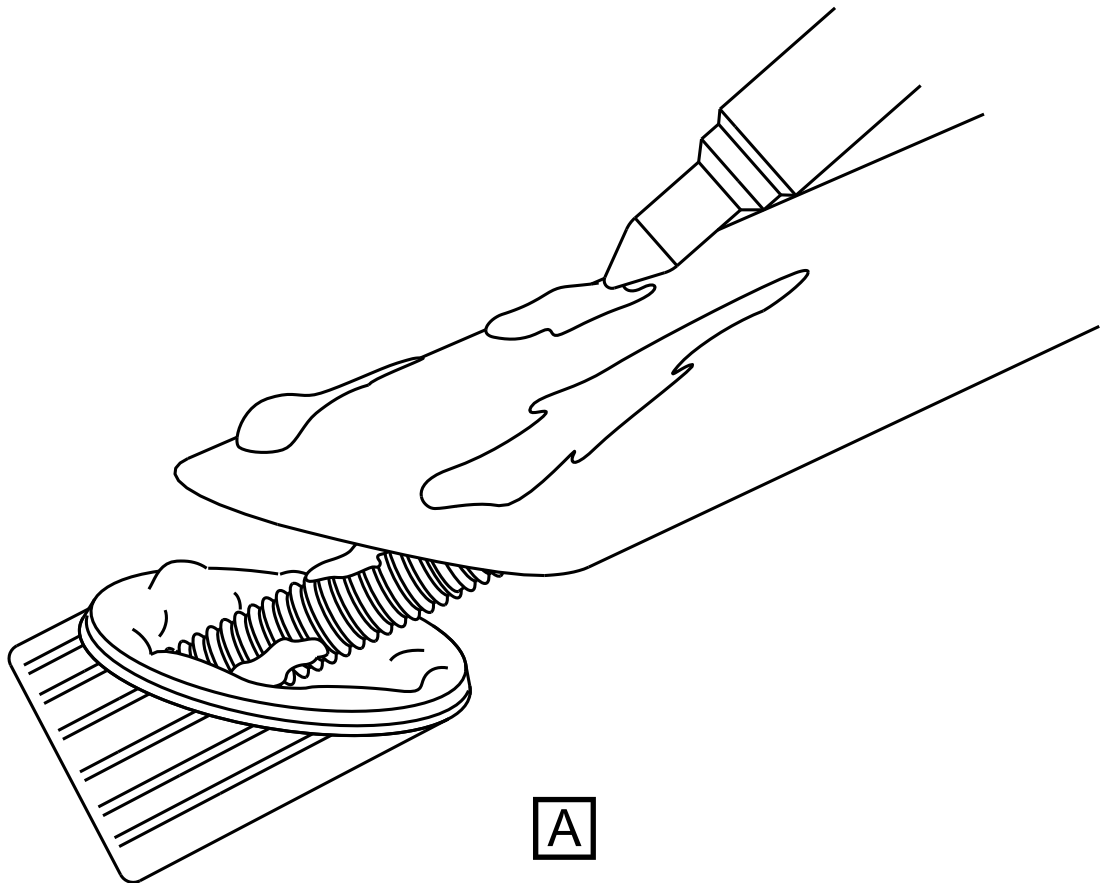
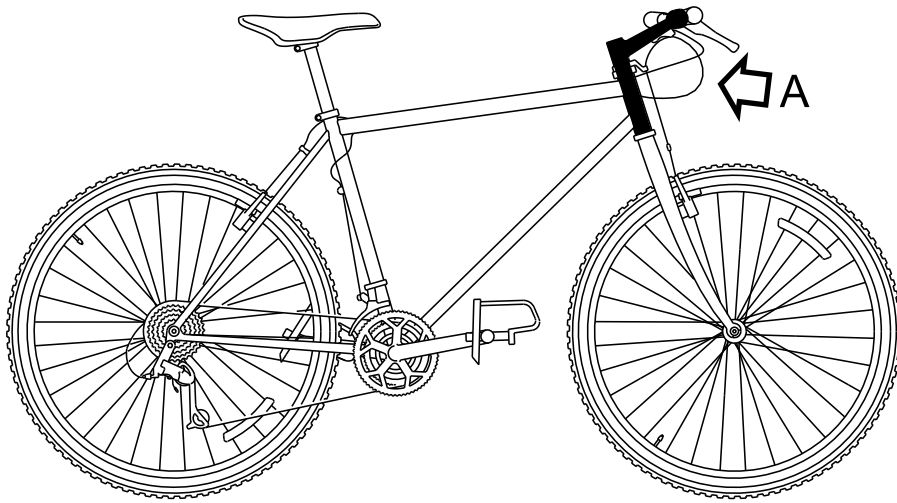
*Fig 1 Lubricate the thread*

---

2.2 Install the [Stem](#) in the steerer tube.

This is a draft copy of Issue 000-01  
Printed 2021-09-27 12:56

Produced by Docuneering Ltd using the S1000D - Publication Builder



ICN-S1000DBIKE-AAA-DA21000-0-U8025-00530-A-04-1

Fig 2 Tighten the bolt



- 
- 2.3 Adjust to align the [Stem](#) with the wheel and tighten the [Stem bolt](#) firmly.
- 3 Install the handlebars (refer to [S1000DBIKE-AAA-DA2-20-00-00AA-720A-A](#)).

### ***Requirements after job completion***

#### **Required conditions**

*Table 7 Required conditions*

<b>Action / Condition</b>	<b>Data module / Technical publication</b>
None	

Intentionally left blank.

## Handlebar

### *Remove procedures*

#### Table of contents

	Page
Remove procedures .....	1
References .....	1
Preliminary requirements .....	1
Procedure .....	2
Requirements after job completion .....	7

#### List of tables

1	References .....	1
2	Required conditions .....	1
3	Required persons .....	2
4	Support equipment .....	2
5	Consumables, materials and expendables .....	2
6	Spares .....	2
7	Required conditions .....	7

#### List of figures

1	Loosen the clamp screw with the Allen wrench .....	4
2	Loosen the clamp bolt .....	6

### *References*

*Table 1 References*

Data module / Technical publication	Title
None	

### *Preliminary requirements*

#### Required conditions

*Table 2 Required conditions*

Action / Condition	Data module / Technical publication
The bicycle is held safely on a work stand.	

## Required persons

*Table 3 Required persons*

Persons	Category	Skill level	Trade/Trade code	Estimated time
Man A	Bike rider	Intermediate	Operator	1,5 h

## Support equipment

*Table 4 Support equipment*

Name	Manufacturer / Part No.	Quantity	Remark
Set of Allen wrenches	MFR: KZ666 /PN: BSK-TLST-001-13	1 EA	
Work stand	MFR: KZ555 /PN: Stand-001	1 EA	

## Consumables, materials and expendables

*Table 5 Consumables, materials and expendables*

Name	Manufacturer / Part No.	Quantity	Remark
None			

## Spares

*Table 6 Spares*

Name	Manufacturer / Part No.	Quantity	Remark
None			

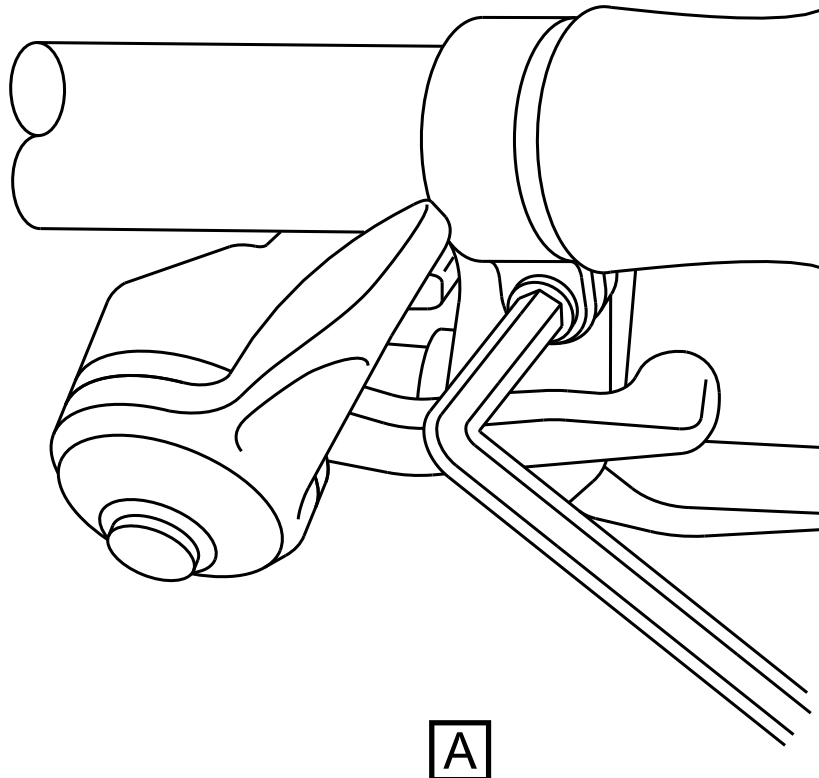
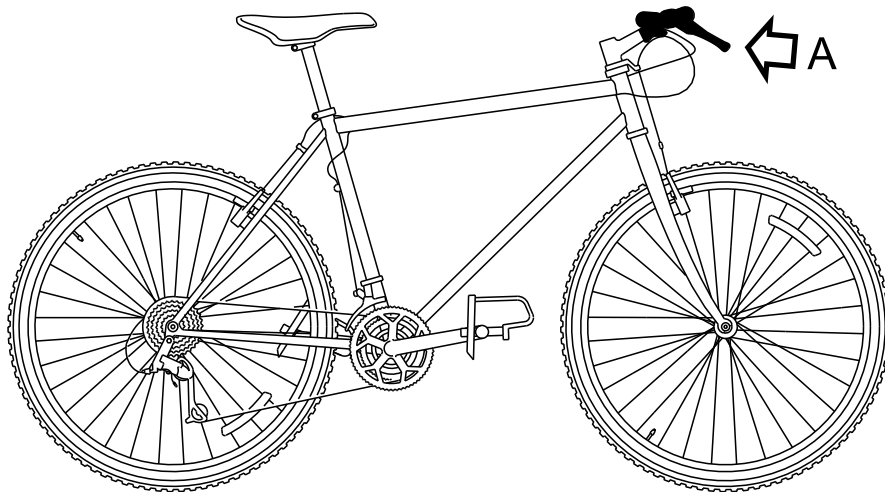
## Safety conditions



## Procedure

### 1 Remove the grips

- 
- 1.1 Put a long thin screwdriver below the grip and apply water between the grip and the handle bar.
  - 1.2 Turn the grip forwards and rearwards to loosen it and then pull it off the end of the handlebar.
- 2 Remove the brake and the shift levers from the handlebars**
- 2.1 Loosen the clamp screw (refer to [Fig 1](#) ) which is behind or below the brake lever (as shown).



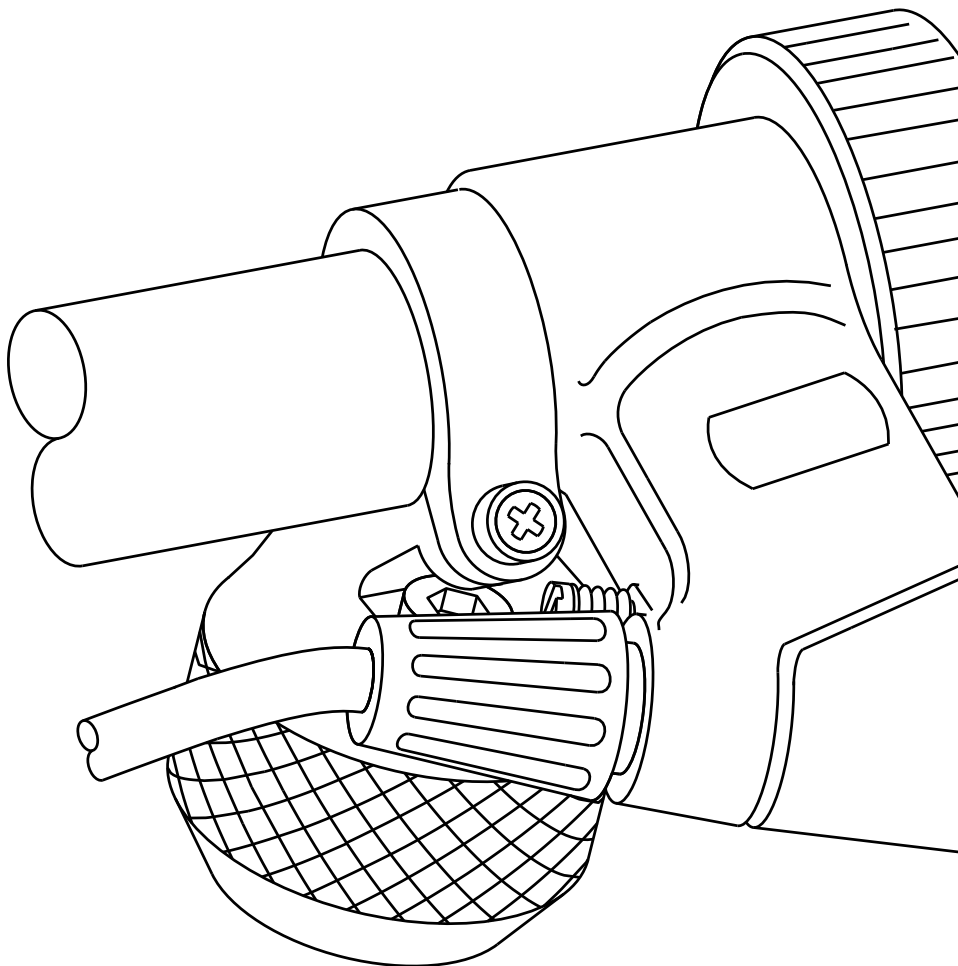
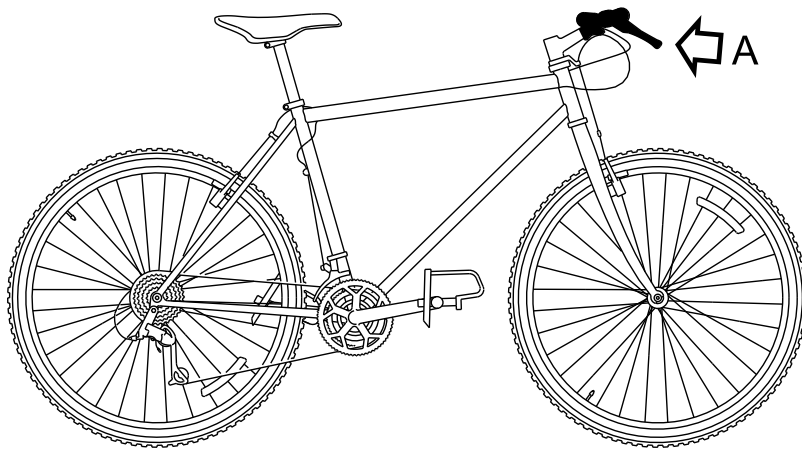
ICN-S1000DBIKE-AAA-DA22000-0-U8025-00518-A-04-1

*Fig 1 Loosen the clamp screw with the Allen wrench*

- 2.2 Remove the lever and the mount from the handlebar.
- 2.3 Loosen the clamp bolt and remove the shifter from the handlebar.

### **3 Remove the handlebar**

Use a [Set of Allen wrenches](#) and loosen the clamp bolt (refer to [Fig 2](#) ). To remove, move the handlebar out of the stem.



**A**

ICN-S1000DBIKE-AAA-DA22000-0-U8025-00517-A-04-1

*Fig 2 Loosen the clamp bolt*



---

## *Requirements after job completion*

### Required conditions

*Table 7 Required conditions*

Action / Condition	Data module / Technical publication
None	

Intentionally left blank.

## Handlebar

### *Install procedures*

#### Table of contents

	Page
Install procedures .....	1
References .....	1
Preliminary requirements .....	1
Procedure .....	3
Requirements after job completion .....	3

#### List of tables

1	References .....	1
2	Required conditions .....	1
3	Required persons .....	1
4	Support equipment .....	2
5	Consumables, materials and expendables .....	2
6	Spares .....	2
7	Required conditions .....	3

### *References*

*Table 1 References*

Data module / Technical publication	Title
None	

### *Preliminary requirements*

#### Required conditions

*Table 2 Required conditions*

Action / Condition	Data module / Technical publication
The bicycle is held safely on work stand. Refer to ( <a href="#">Work stand</a> )	

#### Required persons

*Table 3 Required persons*

Persons	Category	Skill level	Trade/Trade code	Estimated time
Man A	Bike rider	Intermediate	Operator	1,5 h

Applicable to: Mountain bicycle  
and (Mountain storm Mk1 or  
Brook trekker Mk9)

**S1000DBIKE-AAA-DA2-20-00-00AA-720A-A**

## Support equipment

*Table 4 Support equipment*

Name	Manufacturer / Part No.	Quantity	Remark
Set of Allen wrenches	MFR: KZ666 /PN: BSK-TLST-001-13	1 EA	
Extra firm hold hairspray	MFR: HS111 /PN: HSP-D001	1 EA	
Work stand	MFR: KZ555 /PN: Stand-001	1 EA	

## Consumables, materials and expendables

*Table 5 Consumables, materials and expendables*

Name	Manufacturer / Part No.	Quantity	Remark
None			

## Spares

*Table 6 Spares*

Name	Manufacturer / Part No.	Quantity	Remark
Handlebar	MFR: KZ555 /PN: Hd-001	1 EA	
Brake lever	MFR: KT444 /PN: BR-LVRS-001	1 EA	
Shifter lever	MFR: KZ555 /PN: SI-001	1 EA	
Brake lever mount	MFR: KT444 /PN: BR-LVRS-001-01	1 EA	
Handlebar grips	MFR: KZ555 /PN: Hd-001-01	1 EA	
Handlebar plug	MFR: KZ555 /PN: Hd-001-02	1 EA	

## Safety conditions



**WARNING**

Do not ride a bicycle with no grips on the handlebar.

**CAUTION**

Make sure the handlebar is correctly aligned in the center of the stem.

**Procedure**

- 1 Put the [Handlebar](#) in the stem and tighten the clamp bolt with a [Set of Allen wrenches](#). Make sure the handlebar is correctly aligned in the center of the stem. Tighten the clamp bolt.
- 2 Put the [Brake lever](#) and [Shifter lever](#) on the handlebar.
  - 2.1 Move the [Shifter lever](#) on the [Handlebar](#) again and make sure you do not catch the cables.
  - 2.2 Tighten the clamp bolt.
  - 2.3 Move the [Brake lever mount](#) and the brake lever on the [Handlebar](#) again.
  - 2.4 Tighten the clamp screw.
- 3 Replace the [Handlebar grips](#).
  - 3.1 Apply with the [Extra firm hold hairspray](#) to the [Handlebar grips](#) area of the [Brake lever mount](#).
  - 3.2 Before the [Extra firm hold hairspray](#) becomes dry, move the [Handlebar grips](#) into the correct position. Make sure the grip protects the end of the [Handlebar](#) or install a [Handlebar plug](#).

**Requirements after job completion****Required conditions**

Table 7 Required conditions

Action / Condition	Data module / Technical publication
None	

Applicable to: Mountain bicycle  
and (Mountain storm Mk1 or  
Brook trekker Mk9)

**S1000DBIKE-AAA-DA2-20-00-00AA-720A-A**

**End of data module**

UNCLASSIFIED

2012-12-31 Page 3

Intentionally left blank.

## Headset

### *Description of how it is made*

#### Table of contents

	Page
Description of how it is made .....	1
References .....	1
Description .....	1
1 Headset .....	1

#### List of tables

1 References .....	1
--------------------	---

#### List of figures

1 Headset .....	3
-----------------	---

### *References*

*Table 1 References*

Data module / Technical publication	Title
None	

### *Description*

#### 1 Headset

The headset (refer to [Fig 1](#)) is a pair of bearings on the two ends of the head tube of the frame. These bearings permit the fork to turn rearward and forward (for example, to let the rider turn the handlebars for the steering).

The headset (refer to [Fig 1](#)) includes the parts that follow:

- The bearing races that push into the head tube
- a bearing race that pushes on the fork steerer tube
- an adjustable upper race
- two sets of ball bearings

A headset has cups that are pushed into the head tube and a ring on the fork. All three must be fully parallel. It is usually necessary to remove rough paint to get all three fully parallel.

The upper race installs onto the steerer tube with a thread. A locknut is used to safety the upper race.

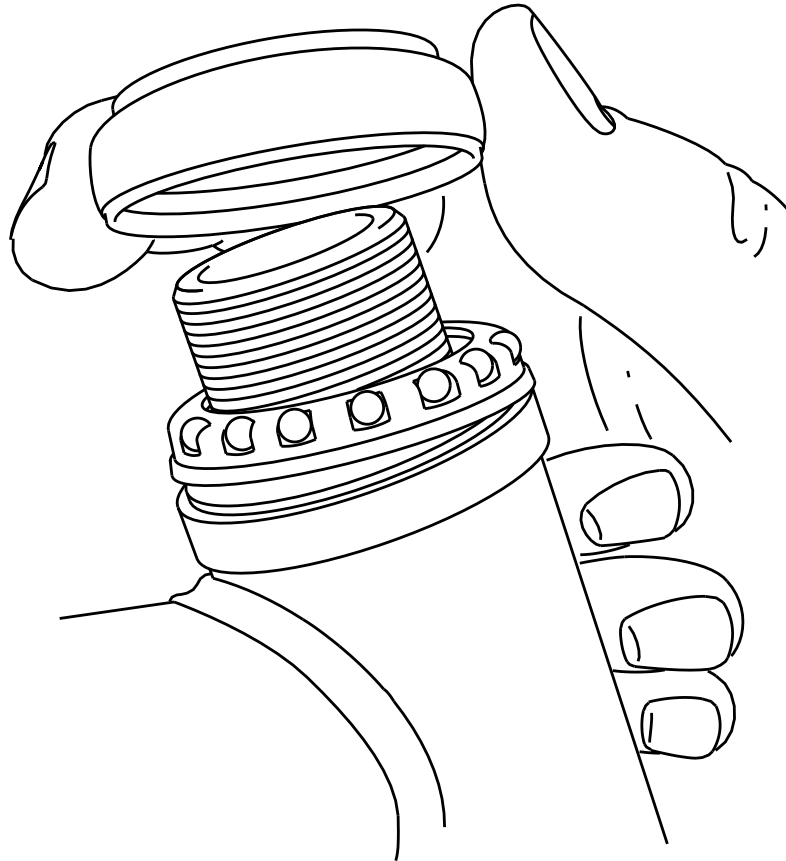
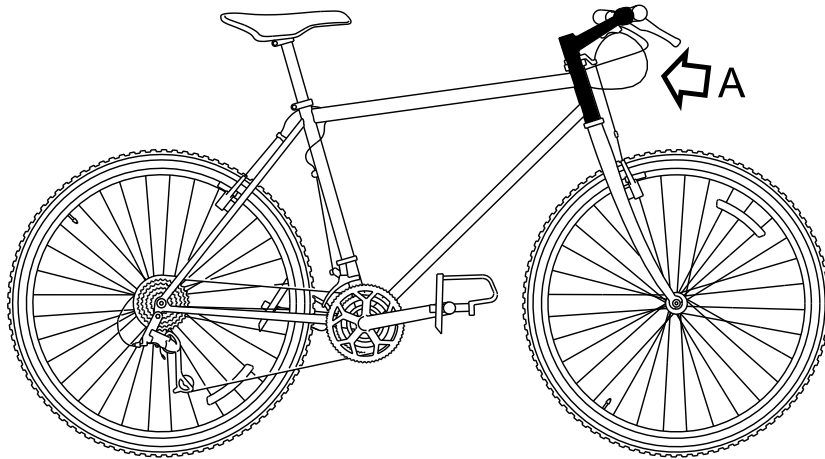
A clamp bolt holds the stem to the steerer tube.

---

The fourth remaining bearing race is part of a nut that installs on the threaded top end of the fork. This is done after you install it in the head tube. It is sometimes necessary for some headsets to have more thread at the top of the head tube. If the fork is too long, the spacer rings can be installed. If it is too short, there is a limit to the number of headsets you can use.

For an illustration of the parts of the headset (refer to [Fig 1](#)).





ICN-S1000DBIKE-AAA-DA23000-0-U8025-00533-A-04-1

Fig 1 Headset

This is a draft copy of issue 000-01  
Printed 2021-09-27 12:56

Produced by Docuneering Ltd using the S1000D - Publication Builder

Intentionally left blank.

## Headset

### *Remove procedures*

#### Table of contents

	Page
Remove procedures .....	1
References .....	1
Preliminary requirements .....	1
Procedure .....	2
Requirements after job completion .....	4

#### List of tables

1	References .....	1
2	Required conditions .....	1
3	Required persons .....	2
4	Support equipment .....	2
5	Consumables, materials and expendables .....	2
6	Spares .....	2
7	Required conditions .....	4

#### List of figures

1	Lift the upper bearing cup .....	3
---	----------------------------------	---

### *References*

*Table 1 References*

Data module / Technical publication	Title
S1000DBIKE-AAA-DA2-10-00-00AA-520A-A	Stem – Remove procedures

### *Preliminary requirements*

#### Required conditions

*Table 2 Required conditions*

Action / Condition	Data module / Technical publication
The bicycle is safely held on a work stand	

Applicable to: Mountain bicycle  
and (Mountain storm Mk1 or  
Brook trekker Mk9)

S1000DBIKE-AAA-DA2-30-00-00AA-520A-A

## Required persons

Table 3 Required persons

Persons	Category	Skill level	Trade/Trade code	Estimated time
Man A	Bike Rider	Intermediate	Operator	0,5 h

## Support equipment

Table 4 Support equipment

Name	Manufacturer / Part No.	Quantity	Remark
Work stand	MFR: Bikey /PN: Stand-001	1 EA	

## Consumables, materials and expendables

Table 5 Consumables, materials and expendables

Name	Manufacturer / Part No.	Quantity	Remark
None			

## Spares

Table 6 Spares

Name	Manufacturer / Part No.	Quantity	Remark
None			

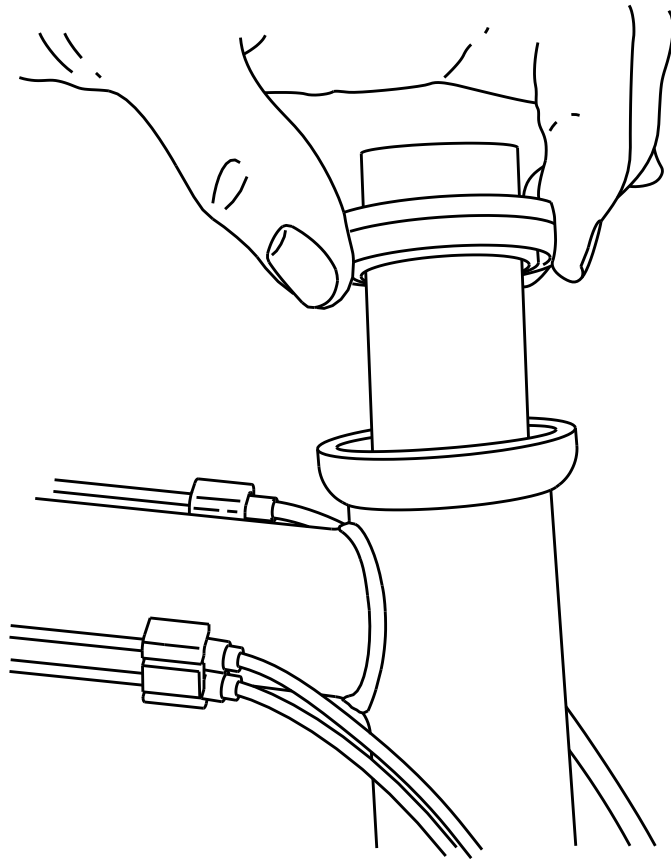
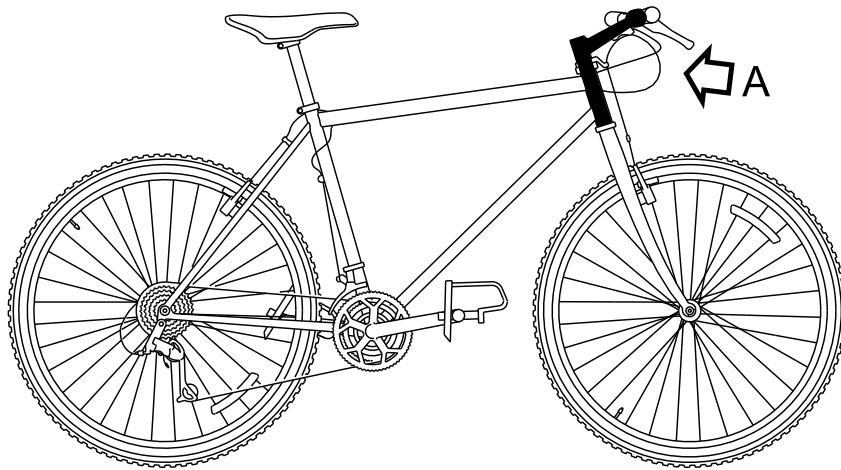
## Safety conditions

### Note 1

It is not necessary to remove the handlebar for this procedure.

## Procedure

- 1 Remove the stem (refer to [S1000DBIKE-AAA-DA2-10-00-00AA-520A-A](#)).
- 2 Remove:
  - the spacers
  - the brake cable hangar
  - the dust seals
  - the conical expansion washer(s) from the steerer tube
- 3 Lift the upper bearing cup off (refer to [Fig 1](#)) and then remove the fork from the frame.



A

ICN-S1000DBIKE-AAA-DA23000-0-U8025-00532-A-04-1

Fig 1 Lift the upper bearing cup

This is a draft copy of Issue 000-01  
Printed 2021-09-27 12:56

Produced by Docuneering Ltd using the S1000D - Publication Builder

---

***Requirements after job completion*****Required conditions***Table 7 Required conditions*

<b>Action / Condition</b>	<b>Data module / Technical publication</b>
None	

## Headset

### *Install procedures*

#### Table of contents

	Page
Install procedures .....	1
References .....	1
Preliminary requirements .....	1
Procedure .....	2
Requirements after job completion .....	3

#### List of tables

1	References .....	1
2	Required conditions .....	1
3	Required persons .....	1
4	Support equipment .....	2
5	Consumables, materials and expendables .....	2
6	Spares .....	2
7	Required conditions .....	3

### *References*

Table 1 References

Data module / Technical publication	Title
<a href="#">S1000DBIKE-AAA-DA2-10-00-00AA-720A-A</a>	Stem – Install procedures

### *Preliminary requirements*

#### Required conditions

Table 2 Required conditions

Action / Condition	Data module / Technical publication
The bicycle is safely held on a work stand	

#### Required persons

Table 3 Required persons

Persons	Category	Skill level	Trade/Trade code	Estimated time
Man A	Bike Rider	Intermediate	Operator	1,5 h

Applicable to: Mountain bicycle  
and (Mountain storm Mk1 or  
Brook trekker Mk9)

**S1000DBIKE-AAA-DA2-30-00-00AA-720A-A**

## Support equipment

*Table 4 Support equipment*

Name	Manufacturer / Part No.	Quantity	Remark
Work stand	MFR: Stand /PN: Stand-001	1 EA	

## Consumables, materials and expendables

*Table 5 Consumables, materials and expendables*

Name	Manufacturer / Part No.	Quantity	Remark
None			

## Spares

*Table 6 Spares*

Name	Manufacturer / Part No.	Quantity	Remark
Frame fork	MFR: KZ555 /PN: St-001-02	1 EA	
Upper bearing cup	MFR: KZ555 /PN: St-001-03	1 EA	
Brake cable hangar	MFR: KT444 /PN: BR-LVRS-002	1 EA	
Dust seal	MFR: KZ555 /PN: St-001-04	1 EA	
Conical expansion washer	MFR: KZ555 /PN: St-001-05	1 EA	

## Safety conditions

None

## ***Procedure***

- 1 Install the [Frame fork](#) on the frame.
- 2 Install the [Upper bearing cup](#).
- 3 Install the components that follow on the steering tube:
  - the [Brake cable hangar](#)
  - the [Dust seal](#)
  - the [Conical expansion washer](#)
- 4 Install the stem (refer to [S1000DBIKE-AAA-DA2-10-00-00AA-720A-A](#)).



---

## *Requirements after job completion*

### Required conditions

*Table 7 Required conditions*

Action / Condition	Data module / Technical publication
None	

Intentionally left blank.

## Spacer

### *Install procedures*

#### Table of contents

	Page
Install procedures .....	1
References .....	1
Preliminary requirements .....	1
Procedure .....	2
Requirements after job completion .....	3

#### List of tables

1	References .....	1
2	Required conditions .....	1
3	Required persons .....	1
4	Support equipment .....	2
5	Consumables, materials and expendables .....	2
6	Spares .....	2
7	Required conditions .....	3

### *References*

*Table 1 References*

Data module / Technical publication	Title
None	

### *Preliminary requirements*

#### Required conditions

*Table 2 Required conditions*

Action / Condition	Data module / Technical publication
None	

#### Required persons

*Table 3 Required persons*

Persons	Category	Skill level	Trade/Trade code	Estimated time
As required				

Applicable to: Mountain bicycle  
and Mountain storm Mk1

**S1000DBIKE-AAA-DA2-40-00-00AA-720A-A**

## Support equipment

Table 4 Support equipment

Name	Manufacturer / Part No.	Quantity	Remark
None			

## Consumables, materials and expendables

Table 5 Consumables, materials and expendables

Name	Manufacturer / Part No.	Quantity	Remark
None			

## Spares

Table 6 Spares

Name	Manufacturer / Part No.	Quantity	Remark
<b>Applicable to:</b> Mountain bicycle and Mountain storm Mk1			
Fork set	MFR: KZ666 /PN: SPA-1000-1	1 EA	Material set
- Spacer	MFR: KZ666 /PN: SPC-200-12	1 EA	

## Safety conditions

None

## Procedure

**Applicable to:** Mountain bicycle and Mountain storm Mk1

1 **Note 1**

It is necessary to install the headset before installing any spacer

**Applicable to:** Mountain bicycle and Mountain storm Mk1

2 Install the spacer ([Spacer](#))

---

## *Requirements after job completion*

### Required conditions

*Table 7 Required conditions*

Action / Condition	Data module / Technical publication
None	

Intentionally left blank.

## Frame

### *Description of how it is made*

#### Table of contents

	Page
Description of how it is made .....	1
References .....	1
Description .....	1
1 The bicycle frame .....	1

#### List of tables

1	References .....	1
---	------------------	---

#### List of figures

1	Welded frame joints .....	2
2	Frame .....	3

### *References*

*Table 1 References*

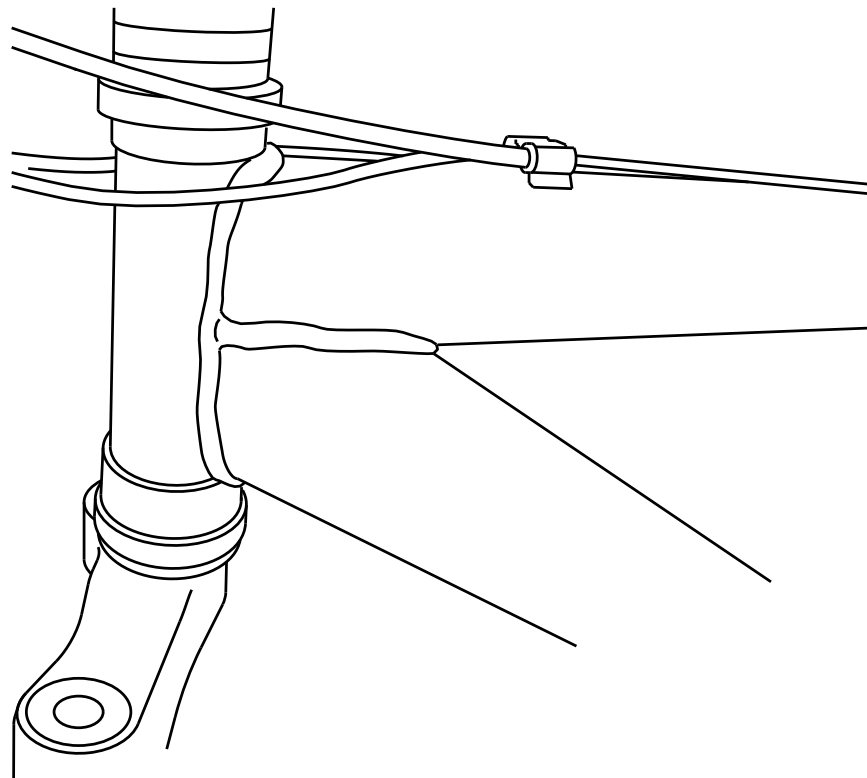
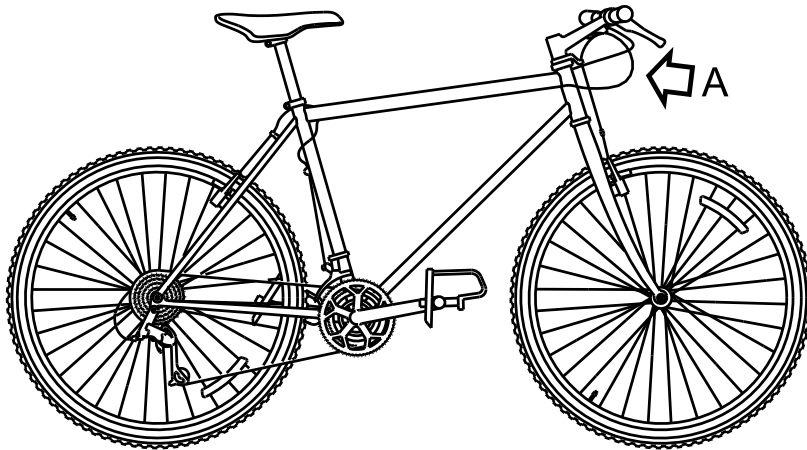
Data module / Technical publication	Title
None	

### *Description*

#### 1 The bicycle frame

The frame is the skeleton, the primary part of your bicycle. Its structure makes the bicycle resistant to large forces.

The initial frames (refer to [Fig 1](#)) were tubes of aluminum or steel welded together.



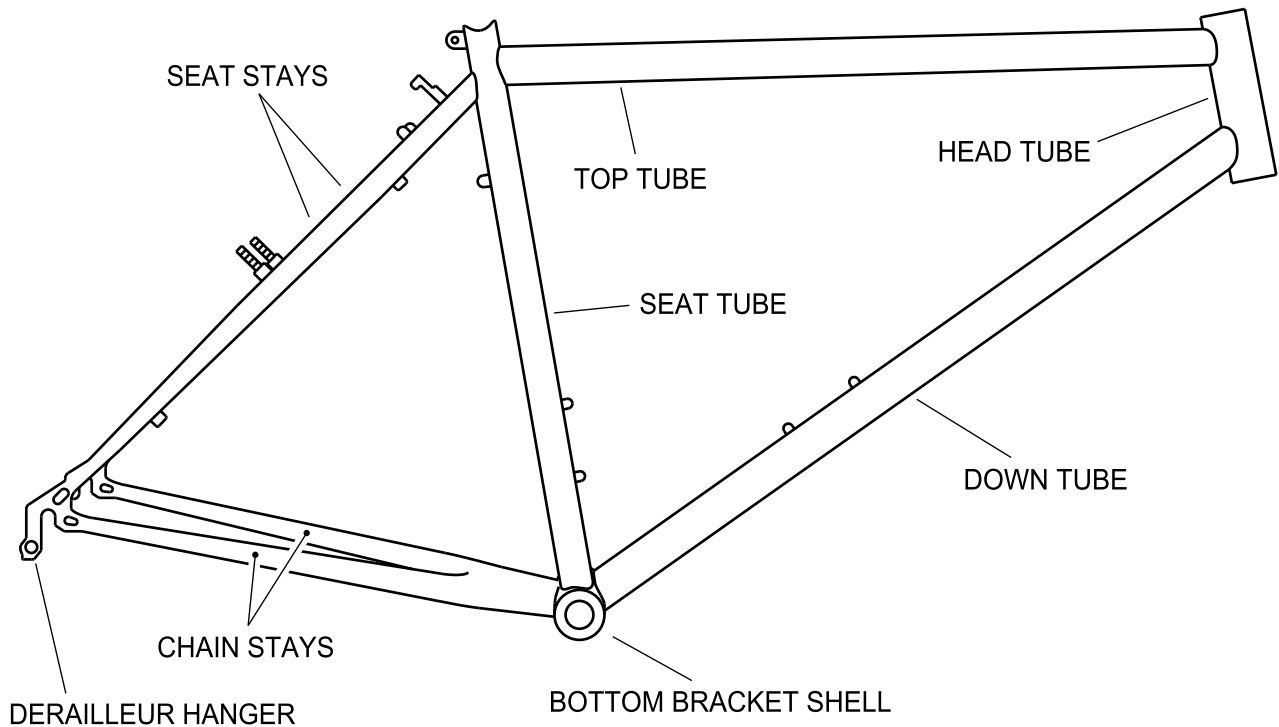
A

ICN-S1000DBIKE-AAA-DA30000-0-U8025-00534-A-04-1

Fig 1 Welded frame joints



Subsequent frames (refer to Fig 2) can be made out of a wide variety of materials, including aluminium, titanium, or chrome moly.



ICN-S1000DBIKE-AAA-DA30000-0-U8025-00503-A-04-1

Fig 2 Frame

are different and can also be of different materials (for example, titanium or chrome moly). Some bicycle frames are of carbon fiber. To get this material, it is necessary to put sheets of carbon fiber cloth on foam forms and epoxy them in position. This procedure gives a very light, strong structure that can have different shapes.

The frame includes the parts that follow:

- the top tube (the higher bar of the bicycle frame)
- the down tube (the section of the frame that extends from the stem to the bottom bracket)
- the head tube (the part of the frame that the fork steerer tube goes through)
- the seat tube (the vertical part of the frame that is the rear of the front triangle and that is between the bottom bracket and the top tube)
- the seat stay (the tube that includes the distance between the seat tube and the rear dropouts)
- the chain stay (the tube that is the bottom part of the rear triangle)

Intentionally left blank.

## Horn

### *Isolated fault*

#### Table of contents

	Page
Isolated fault .....	1
References .....	1
Fault reporting .....	1

#### List of tables

1	References .....	1
---	------------------	---

### *References*

*Table 1 References*

Data module / Technical publication	Title
<a href="#">S1000DBIKE-AAA-DA3-10-00-00AA-921A-A</a>	Horn – Remove and install a new item

### *Fault reporting*

#### Fault code

NYCJD03

#### Fault description

Horn failed

#### Locate and repair

##### 1 Locate and repair LRU

Line replaceable unit

Nomenclature	Identification
Horn	MFR: KZ444 /PN: Horn-001

Repair procedures:..... [S1000DBIKE-AAA-DA3-10-00-00AA-921A-A](#)

Intentionally left blank.

## Horn

### *Remove and install a new item*

#### Table of contents

	Page
Remove and install a new item .....	1
References .....	1
Preliminary requirements .....	1
Procedure .....	2
Requirements after job completion .....	3

#### List of tables

1	References .....	1
2	Required conditions .....	1
3	Required persons .....	1
4	Support equipment .....	2
5	Consumables, materials and expendables .....	2
6	Spares .....	2
7	Required conditions .....	3

### *References*

*Table 1 References*

Data module / Technical publication	Title
	Local Disposal Procedures

### *Preliminary requirements*

#### Required conditions

*Table 2 Required conditions*

Action / Condition	Data module / Technical publication
None	

#### Required persons

*Table 3 Required persons*

Persons	Category	Skill level	Trade/Trade code	Estimated time
As required				

Applicable to: Mountain bicycle  
and (Mountain storm Mk1 or  
Brook trekker Mk9)

**S1000DBIKE-AAA-DA3-10-00-00AA-921A-A**

## Support equipment

*Table 4 Support equipment*

Name	Manufacturer / Part No.	Quantity	Remark
Specialist toolset	MFR: KZ666 /PN: BSK-TLST-001	1 EA	
8mm Allen wrench	MFR: KZ666 /PN: BSK-TLST-001-08	1 EA	

## Consumables, materials and expendables

*Table 5 Consumables, materials and expendables*

Name	Manufacturer / Part No.	Quantity	Remark
None			

## Spares

*Table 6 Spares*

Name	Manufacturer / Part No.	Quantity	Remark
Horn	MFR: KZ444 /PN: Horn-001	1 EA	

## Safety conditions

None

## ***Procedure***

- 1 Safely hold the bicycle.
- 2 Remove the horn.
  - 2.1 Use the 8mm Allen wrench from the [Specialist toolset](#) and remove the two Allen screws.
  - 2.2 Remove the horn.
- 3 Install the new [Horn](#).
  - 3.1 Install the new [Horn](#) on the handlebars.
  - 3.2 Use the [8mm Allen wrench](#) from the [Specialist toolset](#) and tighten the two Allen screws.

---

## *Requirements after job completion*

### Required conditions

*Table 7 Required conditions*

<b>Action / Condition</b>	<b>Data module / Technical publication</b>
Safely discard the horn that you removed	<a href="#">Local Disposal Procedures</a>

This is a draft copy of Issue 000-01  
Printed 2021-09-27 12:56

Produced by Docuneering Ltd using the S1000D - Publication Builder

Intentionally left blank.



## Drivetrain

### *Description of how it is made*

#### Table of contents

	Page
Description of how it is made .....	1
References .....	1
Description .....	1
1 Drive train .....	1

#### List of tables

1	References .....	1
---	------------------	---

### *References*

Table 1 References

Data module / Technical publication	Title
None	

### *Description*

#### 1 Drive train

The drive train is the group of components that are necessary for the operation of the bicycle. The drive train is the primary system for the movement of the bicycle. A typical drive train has the chain wheels, the chain, the pedals and the saddle.

Since the drive train has many components, it is necessary to do a regular maintenance. The drive train maintenance is easy and the users can disassemble and assemble each part of the drive train. Because of this, when one part is defective, it is possible to remove and replace it with a new one.

Intentionally left blank.

## Chain

### *Oil*

#### Table of contents

	Page
Oil .....	1
References .....	1
Preliminary requirements .....	1
Procedure .....	3
Requirements after job completion .....	9

#### List of tables

1	References .....	1
2	Required conditions .....	1
3	Required persons .....	2
4	Support equipment .....	2
5	Consumables, materials and expendables .....	2
6	Spares .....	2
7	Required conditions .....	9

#### List of figures

1	Derailleur pivots .....	4
2	Derailleur tension .....	5
3	Brake lever pivots .....	6
4	Lubricate the chain .....	8

### **References**

*Table 1 References*

Data module / Technical publication	Title
None	

### **Preliminary requirements**

#### Required conditions

*Table 2 Required conditions*

Action / Condition	Data module / Technical publication
The bicycle chain is clean and dry	

Applicable to: Mountain bicycle  
and (Mountain storm Mk1 or  
Brook trekker Mk9)

**S1000DBIKE-AAA-DA4-10-00-00AA-241A-A**

## Required persons

Table 3 Required persons

Persons	Category	Skill level	Trade/Trade code	Estimated time
Man A	Operator	Intermediate	Bike rider	0,5 h

## Support equipment

Table 4 Support equipment

Name	Manufacturer / Part No.	Quantity	Remark
Clean dry cloth	MFR: KZ666 /PN: BSK-TLST-001-12	1 EA	
Floor covering	MFR: KK999 /PN: PPP-001	1 pack	

## Consumables, materials and expendables

Table 5 Consumables, materials and expendables

Name	Manufacturer / Part No.	Quantity	Remark
Wet lube	MFR: KZ222 /PN: LL-007	1 dl	
Dry lube	MFR: KZ222 /PN: LL-006	1 dl	

## Spares

Table 6 Spares

Name	Manufacturer / Part No.	Quantity	Remark
None			

## Safety conditions

**WARNING**

Dry Lube is a very dangerous substance. Do not get it onto your skin. Use it in a well ventilated area. If you swallow it seek immediate medical advice. If it gets into your eyes wash your eyes in clean water and seek medical advice.

**WARNING**

Wet Lube is a very dangerous substance. Do not get it onto your skin. Use it in a well ventilated area. If you swallow it seek immediate medical advice. If it gets into your eyes wash your eyes in clean water and seek medical advice.

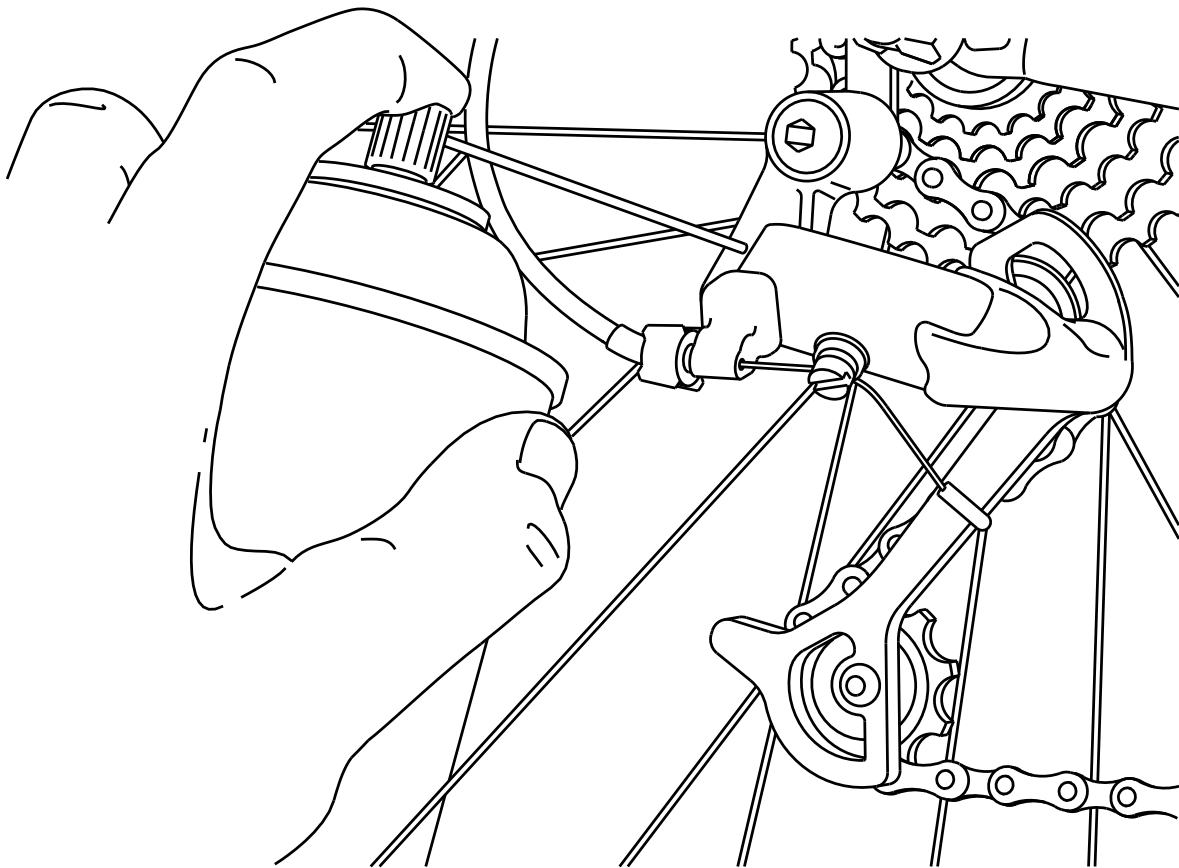
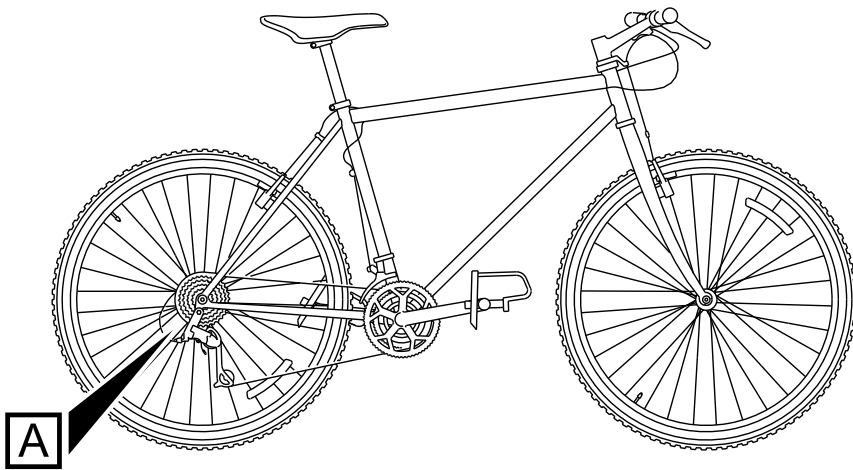
***Procedure***

1 Apply the penetrating lubricant into all the parts of the bike that move. This includes:

- derailleur pivots (refer to [Fig 1](#))
- derailleur tension (refer to [Fig 2](#))
- brake lever pivots (refer to [Fig 3](#))

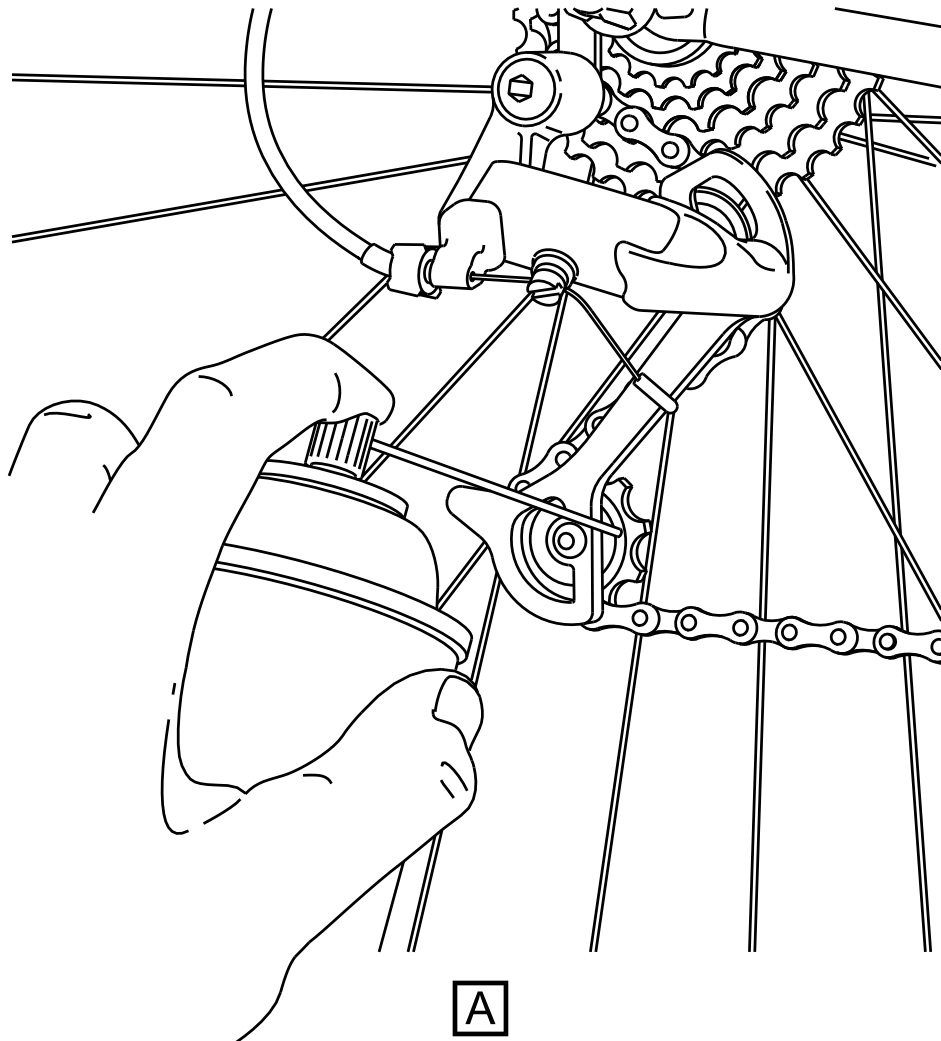
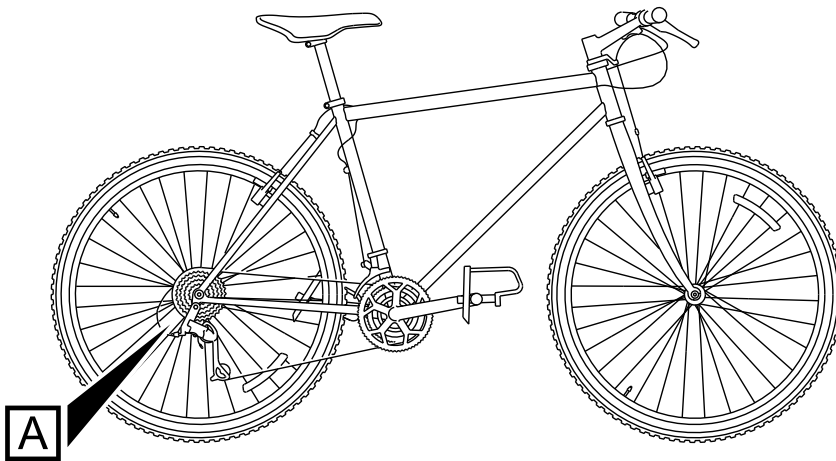
These brake lever pivots include:

- derailleur pivots
- derailleur tension
- guide wheels
- brake lever pivots
- control cables and where they go into their casings



ICN-S1000DBIKE-AAA-DA51000-0-U8025-00521-A-04-1

Fig 1 Derailleur pivots

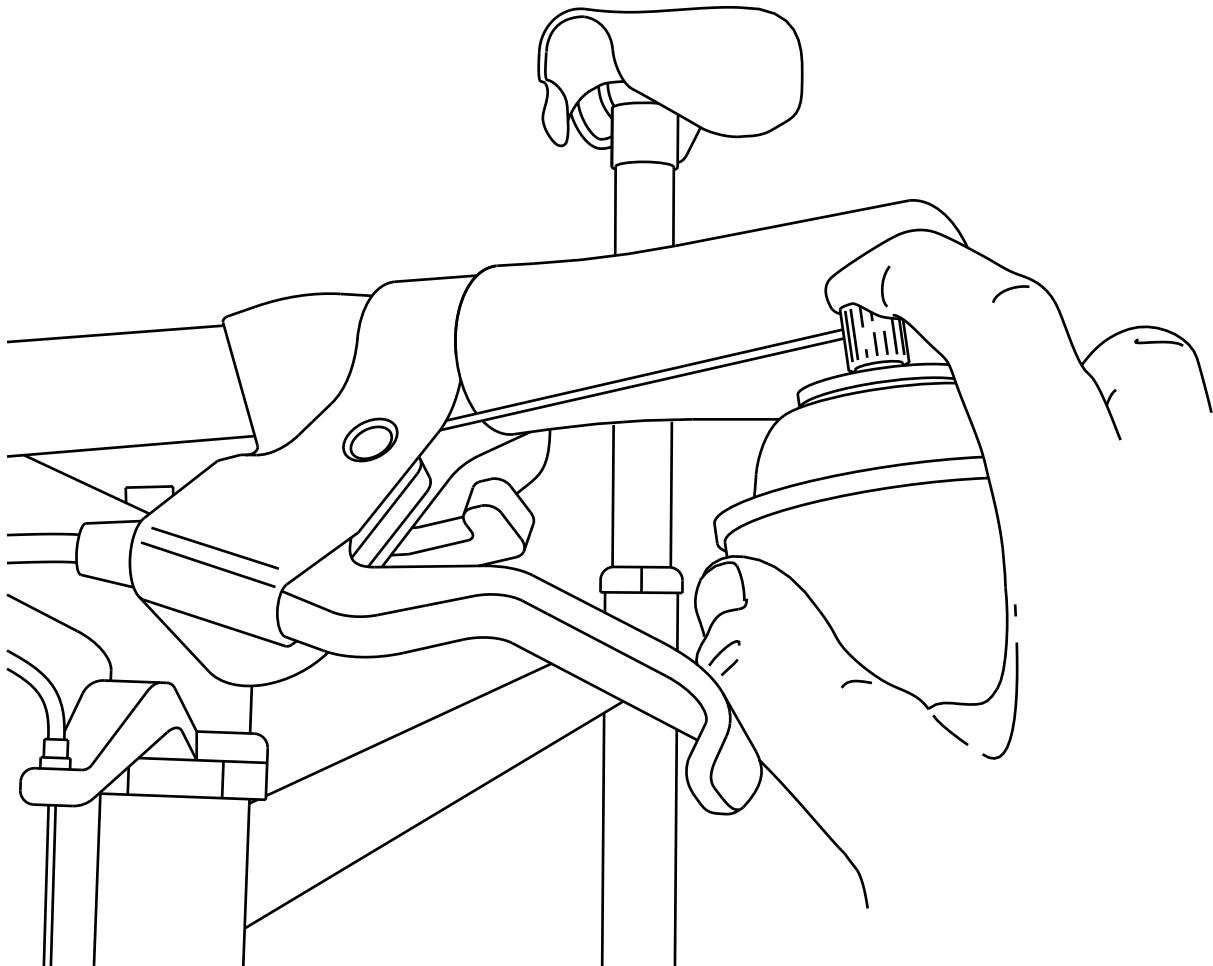
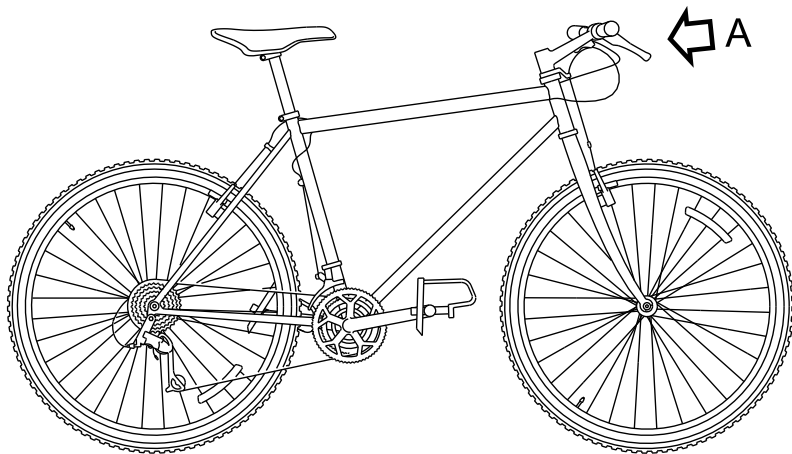


ICN-S1000DBIKE-AAA-DA51000-0-U8025-00522-A-04-1

Fig 2 Derailleur tension

This is a draft copy of issue 000-01  
Printed 2021-09-27 12:56

Produced by Docuneering Ltd using the S1000D - Publication Builder



**A**

ICN-S1000DBIKE-AAA-DA10000-0-U8025-00516-A-04-1

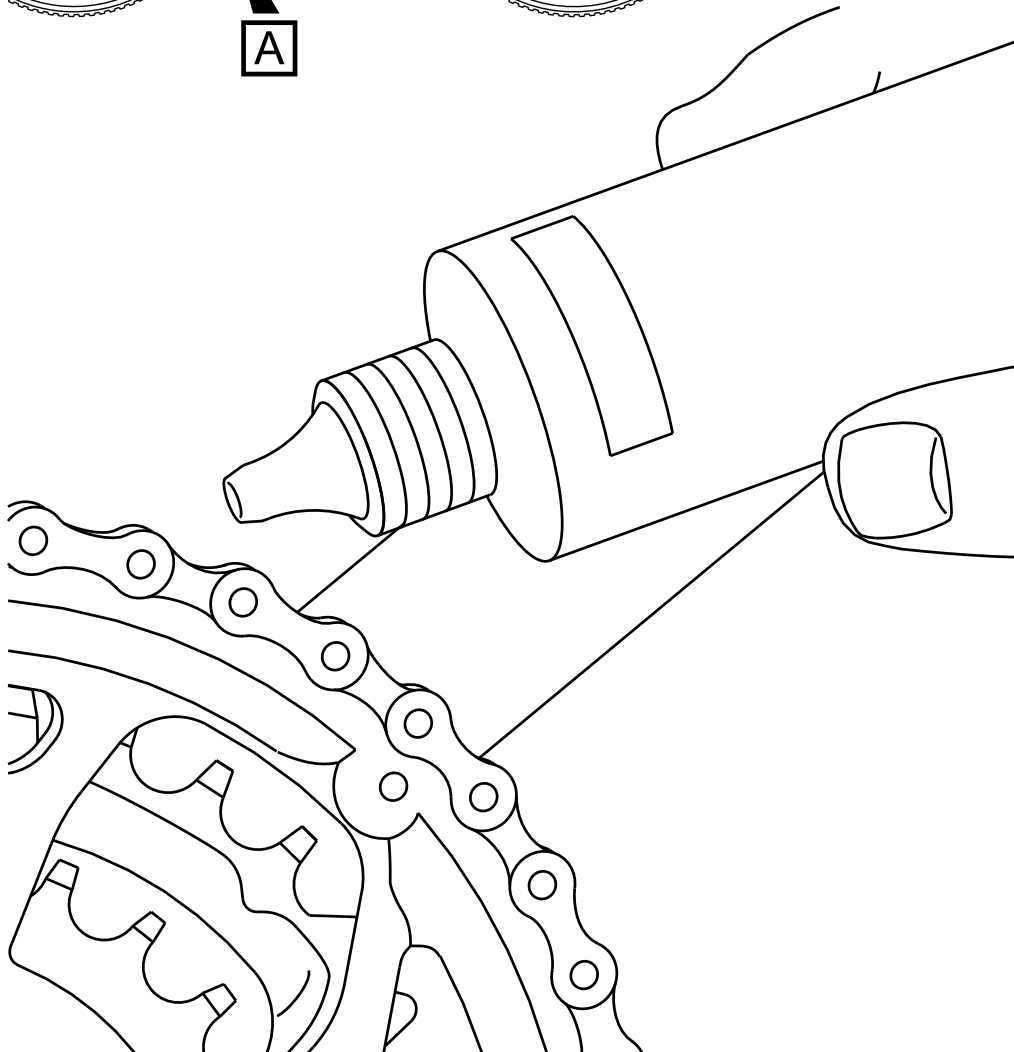
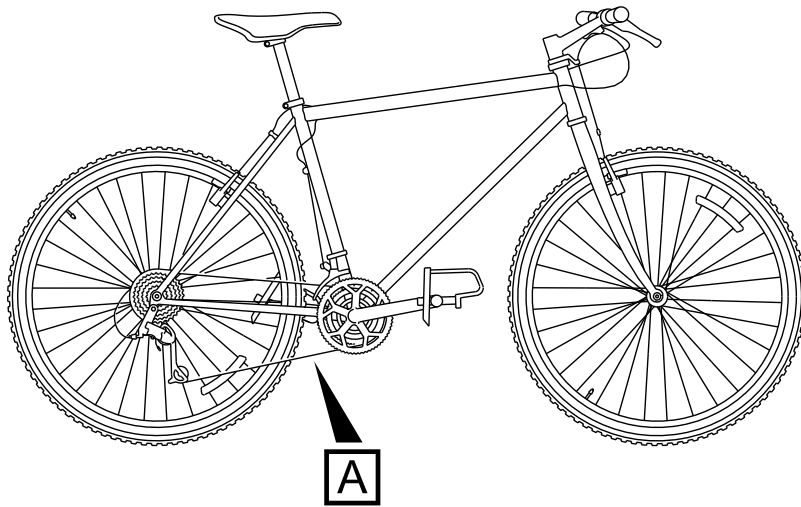
*Fig 3 Brake lever pivots*



- 2 Lubricate the chain.
- 2.1 Make sure the chain is clean and dry.
- 2.2 Put the [Floor covering](#) on the floor below the chain.
- 2.3 Use a [Dry lube](#) for dry conditions.
- 2.4 Use a [Wet lube](#) for wet conditions
- 2.5 Apply the lubricant to each roller of the chain (refer to [Fig 4](#)) but only apply a small quantity.

This is a draft copy of Issue 000-01  
Printed 2021-09-27 12:56

Produced by Docuneering Ltd using the S1000D - Publication Builder



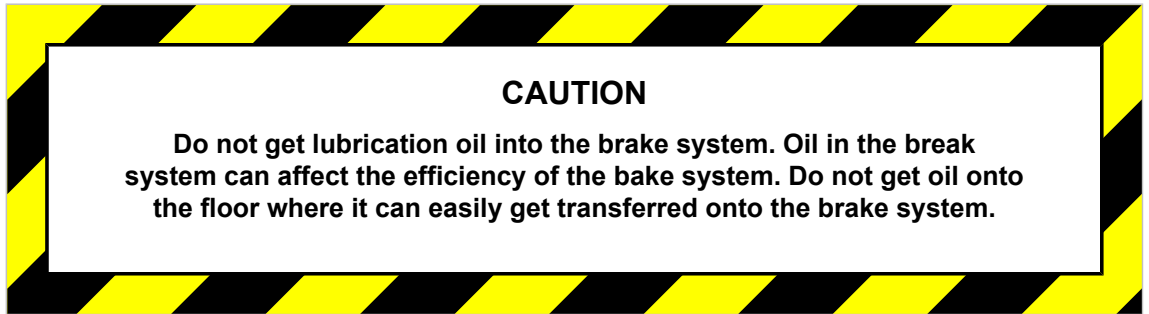
**A**

ICN-S1000DBIKE-AAA-DA41000-0-U8025-00528-A-04-1

*Fig 4 Lubricate the chain*

2.6 Hold the nozzle of the container above the front of the chain ring and slowly turn the cranks rearwards.

2.7



Let the lubricant soak into chain before you clean the unwanted lubricant from the chain.

- 3 Do a check of the rear wheel rim and clean the unwanted lubricant if necessary.
- 4 Do a check of the chain to make sure that each link is lubricated. If there are links that do not move easily or have become frozen, lubricate the chain again (refer to [Step 2](#)).
- 5 Do a check of the remaining lubricated parts and clean the unwanted lubricant with a [Clean dry cloth](#).

### ***Requirements after job completion***

#### **Required conditions**

*Table 7 Required conditions*

<b>Action / Condition</b>	<b>Data module / Technical publication</b>
None	

Intentionally left blank.

## Chain

### *Clean with chain cleaning fluid*

#### Table of contents

	Page
Clean with chain cleaning fluid .....	1
References .....	1
Preliminary requirements .....	1
Procedure .....	2
Requirements after job completion .....	3

#### List of tables

1	References .....	1
2	Required conditions .....	1
3	Support equipment .....	1
4	Consumables, materials and expendables .....	2
5	Spares .....	2
6	Required conditions .....	3

### *References*

*Table 1 References*

Data module / Technical publication	Title
<a href="#">S1000DBIKE-AAA-D00-00-00AA-121A-A</a>	Bicycle – Pre-operation procedures (crew)

### *Preliminary requirements*

#### Required conditions

*Table 2 Required conditions*

Action / Condition	Data module / Technical publication
None	

#### Support equipment

*Table 3 Support equipment*

Name	Manufacturer / Part No.	Quantity	Remark
Stiff bristle brush	MFR: KZ666 /PN: BSK-TLST-001-02	1 EA	
Chain cleaning fluid	MFR: KZ222 /PN: LL-003	As required	

Applicable to: Mountain bicycle  
and (Mountain storm Mk1 or  
Brook trekker Mk9)

**S1000DBIKE-AAA-DA4-10-00-00AA-251B-A**

Table 3 Support equipment (Continued)

Name	Manufacturer / Part No.	Quantity	Remark
Chain cleaning tool	MFR: KZ666 /PN: BSK-TLST-001-03	1 EA	

## Consumables, materials and expendables

Table 4 Consumables, materials and expendables

Name	Manufacturer / Part No.	Quantity	Remark
Floor covering	MFR: KK999 /PN: PPP-001	1 pack	
General lubricant	MFR: KZ222 /PN: LL-001	As required	

## Spares

Table 5 Spares

Name	Manufacturer / Part No.	Quantity	Remark
None			

## Safety conditions

None

## Procedure

- 1 Inspect the chain.  
Do the inspection of the chain as given in the pre-ride checks (refer to [S1000DBIKE-AAA-D00-00-00AA-121A-A](#)).
- 2 Prepare the cleaning area.
  - 2.1 Put the [Floor covering](#) on a satisfactory floor area.
  - 2.2 Put the bicycle on the floor covering.
- 3 Clean debris from the chain.
  - 3.1 Use the [Stiff bristle brush](#) and loosen as much unwanted material as possible.
  - 3.2 Make sure that you remove all the unwanted material from the chain.
- 4 Clean the chain.
  - 4.1 Open the [Chain cleaning tool](#) and fill with the [Chain cleaning fluid](#).
  - 4.2 Move the chain to the middle chainring and the middle sprocket at the rear.
  - 4.3 Put the chain in the chain guides of the chain cleaning tool and lock the tool on the chain.

- 
- 4.4 Hold the tool with the left hand and slowly turn the rearwards with the right hand.
  - 4.5 Press the button on the cleaning tool to make sure that cleaning fluid flows until the tool is empty.
  - 4.6 If necessary, remove the unwanted chain cleaning fluid.
  - 5 Lubricate the chain.
  - 5.1 Use the [General lubricant](#) and lubricate the chain.
  - 5.2 Unlock and remove the cleaning tool.
  - 5.3 If necessary, remove the unwanted lubricant.

### ***Requirements after job completion***

### **Required conditions**

*Table 6 Required conditions*

<b>Action / Condition</b>	<b>Data module / Technical publication</b>
Move the bicycle to its storage area and remove the floor covering.	

Intentionally left blank.



## Drive train

### *Correlated fault*

#### Table of contents

	Page
Correlated fault .....	1
References .....	1
Fault reporting .....	1

#### List of tables

1	References .....	1
---	------------------	---

### *References*

Table 1 References

Data module / Technical publication	Title
None	

### *Fault reporting*

#### Messages and warnings

##### Built-in test messages

- 1      **Fault code: 100FC01**  
**Fault description**  
         The pedal mechanism is jammed
  
- 2      **Fault code: 200FC01**  
**Fault description**  
         The derailleur is jammed

#### Isolate detected fault

##### 1      **Fault isolation test – LRU**

###### Line replaceable unit

Nomenclature	Identification
Bicycle chain	MFR: KZ120 /PN: Tchain-120

---

## Remarks

Prepare the derailleur to put transmission chain back on pedal mechanism.

## Gears

### *Description of how it is made*

#### Table of contents

	Page
Description of how it is made .....	1
References .....	1
Description .....	1
1 Gears .....	1

#### List of tables

1	References .....	1
---	------------------	---

### References

Table 1 References

Data module / Technical publication	Title
<a href="#">S1000DBIKE-AAA-DA5-10-00-00AA-041A-A</a>	Mechs – Description of how it is made
<a href="#">S1000DBIKE-AAA-DA5-30-00-00AA-041A-A</a>	Shifters – Description of how it is made

### Description

#### 1 Gears

The gears include the mechanism, the hubs and the shifters.

The description of the mechanisms is given in [S1000DBIKE-AAA-DA5-10-00-00AA-041A-A](#)

The description of the shifters is given in [S1000DBIKE-AAA-DA5-30-00-00AA-041A-A](#)

The bicycles of these days can have 27 gears or more. The mountain bikes use a set that includes:

- Three socket sprockets of different dimension on the front
- Nine socket sprockets of different dimensions at the rear

This set gives the gear ratios.

The shifters installed on the handlebars change the gears and operate the mechanisms (also known as derailleurs). These derailleurs are cable-actuated mechanisms. They move the chain from the different sprockets.

The hub is the center of the wheel and contains the axle and bearings.

The gears let the rider crank at the pedals at a constant movement on slopes of different angles.

Intentionally left blank.

## Mechs

### *Description of how it is made*

#### Table of contents

	Page
Description of how it is made .....	1
References .....	1
Description .....	1
1 Derailleur .....	1
1.1 Front derailleur .....	1
1.2 Rear derailleur .....	3

#### List of tables

1 References .....	1
--------------------	---

#### List of figures

1 Front derailleur .....	2
2 Rear derailleur .....	4

### *References*

*Table 1 References*

Data module / Technical publication	Title
None	

### *Description*

#### **1 Derailleur**

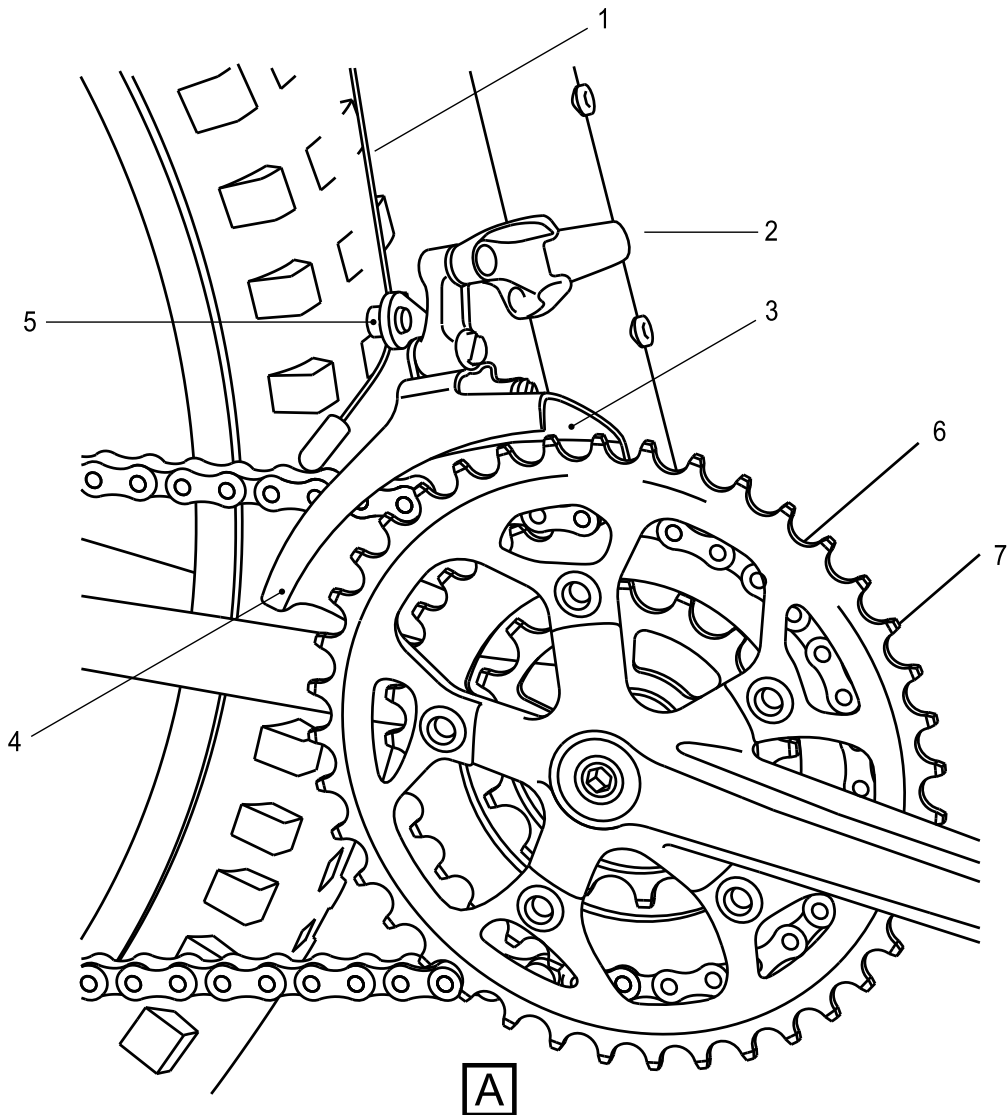
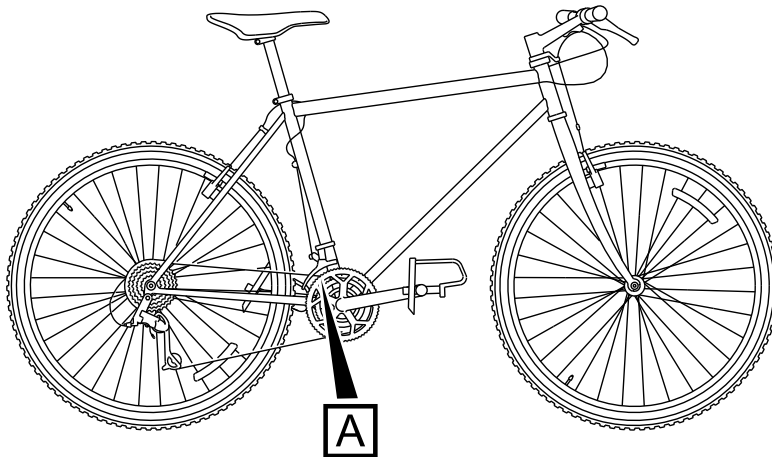
There are two different types of derailleur, the front and the rear.

#### **1.1 Front derailleur**

The front derailleur (refer to [Fig 1](#)) contains two types of screws to keep the movement of the derailleur to a minimum. These screws are:

- the stop screw low-gear
- the stop screw high-gear

The function of these screws is to prevent the rider from over shifting . If this occurs, the chain will go out of the chain wheel.



ICN-S1000DBIKE-AAA-DA51000-0-U8025-00519-A-04-1

Fig 1 Front derailleur

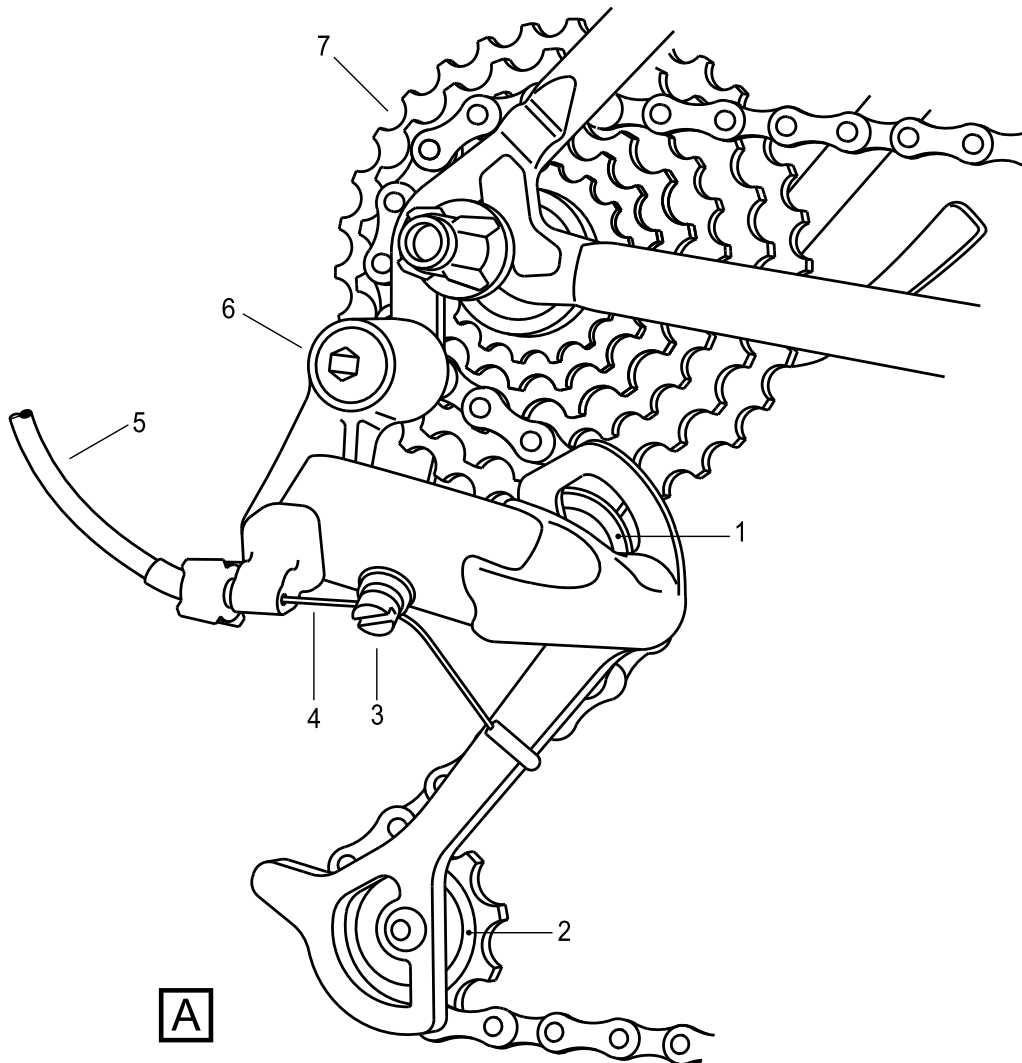
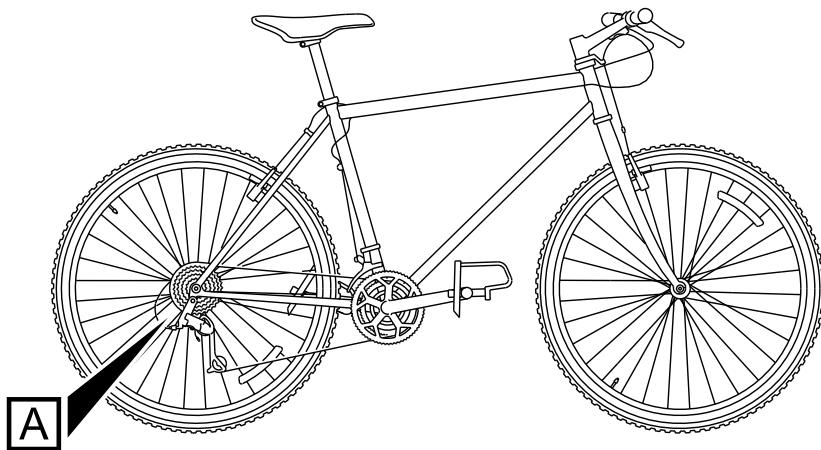
---

The derailleur is installed on the bicycle seat tube with a clamp and is parallel to the three front sprockets.

The shift cable is connected between the shifters on the handle bars and the cable clamp bolt on the front derailleur. This operates the derailleur. On the sprockets there is an inner and outer cage. The clamp attaches the cage.

## 1.2 Rear derailleur

The rear derailleur (refer to [Fig 2](#)) section contains the sprockets for the different gear changes. When the cable clamp bolt is tight, it holds the shift cable in its position. A screwed bolt holds the tension wheel.



ICN-S1000DBIKE-AAA-DA51000-0-U8025-00520-A-04-1

Fig 2 Rear derailleur



---

The derailleur mounting bolt connects the derailleur to the frame. When the user attaches this bolt, this makes sure that the cage plates are parallel with the chain rings.

The guide wheel has the function to move the chain with the derailleur. It moves the chain from one sprocket to the other. The guide wheel must not move on its axis. If this occurs, there will be wear on the wheel. The position of the guide wheel is below the largest sprocket.

This is a draft copy of Issue 000-01  
Printed 2021-09-27 12:56

Produced by Docuengineering Ltd using the S1000D - Publication Builder

Intentionally left blank.

## Hubs

### *Clean with degreasing agent*

#### Table of contents

	Page
Clean with degreasing agent .....	1
References .....	1
Preliminary requirements .....	1
Procedure .....	2
Requirements after job completion .....	5

#### List of tables

1	References .....	1
2	Required conditions .....	1
3	Required persons .....	2
4	Support equipment .....	2
5	Consumables, materials and expendables .....	2
6	Spares .....	2
7	Required conditions .....	5

#### List of figures

1	Removing the axle .....	4
---	-------------------------	---

### *References*

*Table 1 References*

Data module / Technical publication	Title
None	

### *Preliminary requirements*

#### Required conditions

*Table 2 Required conditions*

Action / Condition	Data module / Technical publication
Rear wheel removed	<a href="#">S1000DBIKE-AAA-DA0-20-00-00AA-520A-A</a>

Applicable to: Mountain bicycle  
and (Mountain storm Mk1 or  
Brook trekker Mk9)

**S1000DBIKE-AAA-DA5-20-00-00AA-251C-A**

## Required persons

Table 3 Required persons

Persons	Category	Skill level	Trade/Trade code	Estimated time
Man B	Supervisor	Advanced	Bicycle mechanic	0,8 h
Man A	Basic user		Operator	0,3 h

## Support equipment

Table 4 Support equipment

Name	Manufacturer / Part No.	Quantity	Remark
Specialist toolset	MFR: KZ666 /PN: BSK-TLST-001	1 EA	

## Consumables, materials and expendables

Table 5 Consumables, materials and expendables

Name	Manufacturer / Part No.	Quantity	Remark
Degreasing agent	MFR: KZ222 /PN: LL-004	As required	
General grease	MFR: KZ222 /PN: LL-005	As required	

## Spares

Table 6 Spares

Name	Manufacturer / Part No.	Quantity	Remark
None			

## Safety conditions

None

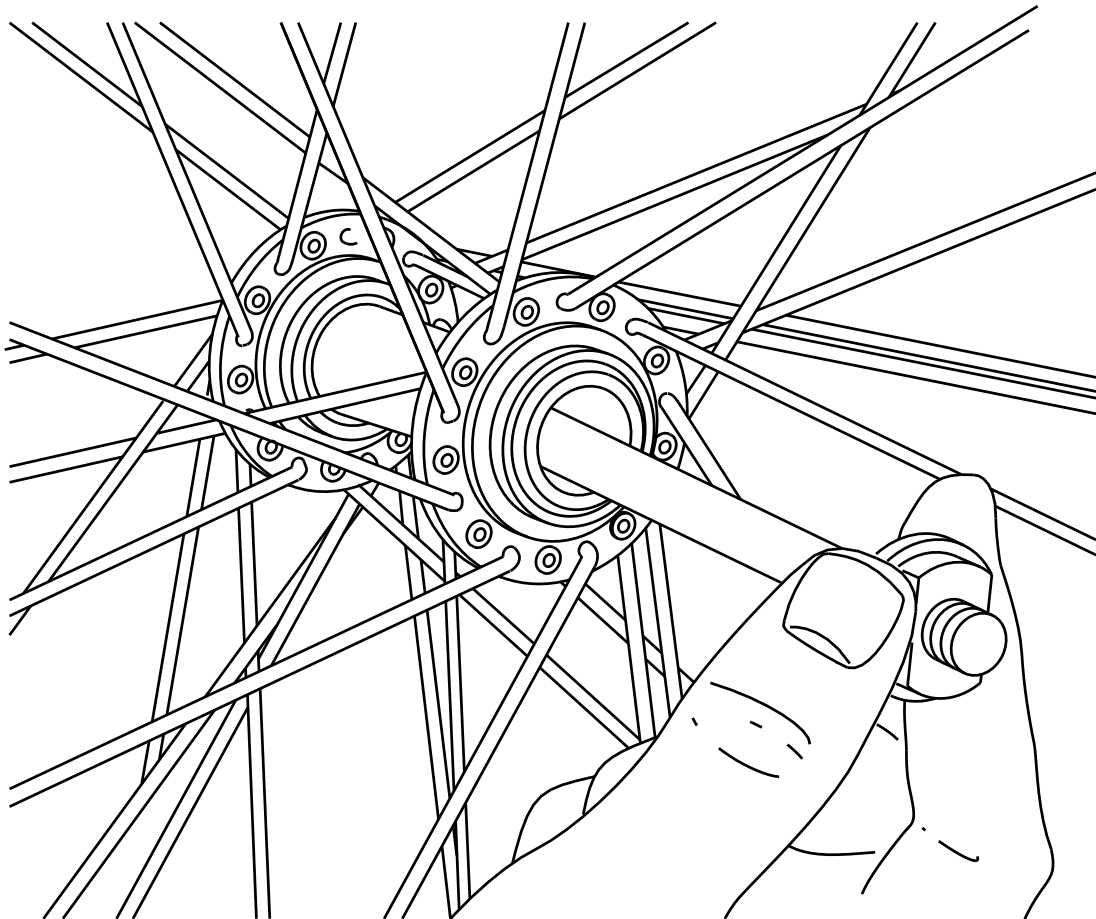
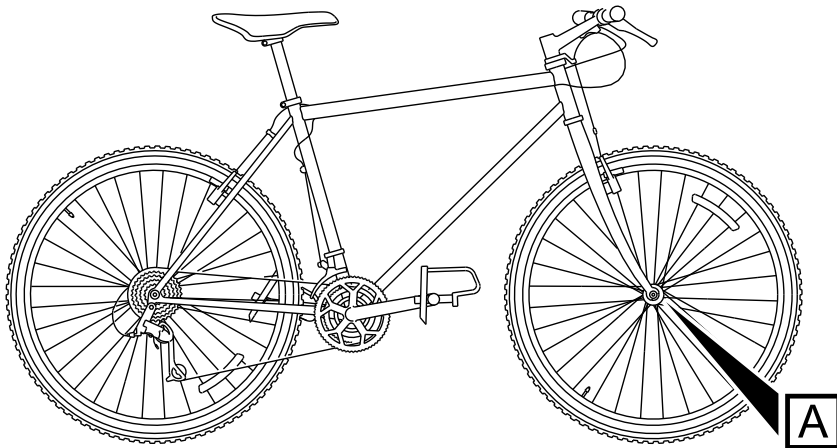
## Procedure

- 1 Remove the axle.
  - 1.1 Use the cone-wrench from the [Specialist toolset](#) and remove the locknut from one side of the axle.
  - 1.2 Remove the washer and the cone from the axle.

1.3



Pull the axle out from the other side as shown in [Fig 1](#) .



A

ICN-S1000DBIKE-AAA-DA52000-0-U8025-00524-A-04-1

Fig 1 Removing the axle

- 
- 2 Remove the bearings.
  - 2.1 Use a small screwdriver from the [Specialist toolset](#) and remove the bearings from their races.
  - 2.2 Make sure that each side of the hub has the same number of bearings.
  - 2.3 Use the [Degreasing agent](#) and clean all the parts of the hub.
  - 2.4 Do a check of the axle to make sure that it is straight.
  - 2.5 Examine the bearing contact area on the cones and the races in the hub for pitting and other signs of damage.
  - 2.6 Do a check of the ball bearings for signs of damage.
  - 2.7 Apply a large quantity of [General grease](#) on each hub race.
  - 3 Assemble the hub.
  - 3.1 Install the ball bearings into the races and push them into the grease.
  - 3.2 Apply more grease on the tops of the bearings.
  - 3.3 Install the axle through the hub.
  - 3.4 Install the cone, the washer and the locknut on the other side of the axle.
  - 3.5 Use the cone-wrench from the specialist toolset and carefully tighten the locknut.

### ***Requirements after job completion***

#### **Required conditions**

*Table 7 Required conditions*

<b>Action / Condition</b>	<b>Data module / Technical publication</b>
None	

Intentionally left blank.



## Shifters

### *Description of how it is made*

#### Table of contents

	Page
Description of how it is made .....	1
References .....	1
Description .....	1
1 Shifters .....	1
2 How a thumb shifter is made up .....	3

#### List of tables

1 References .....	1
--------------------	---

#### List of figures

1 Thumb shifter index type .....	2
2 Unscrew wingnut .....	4
3 Loosen the nut .....	5
4 Loosen the shifter clamp bolt .....	7

### *References*

*Table 1 References*

Data module / Technical publication	Title
None	

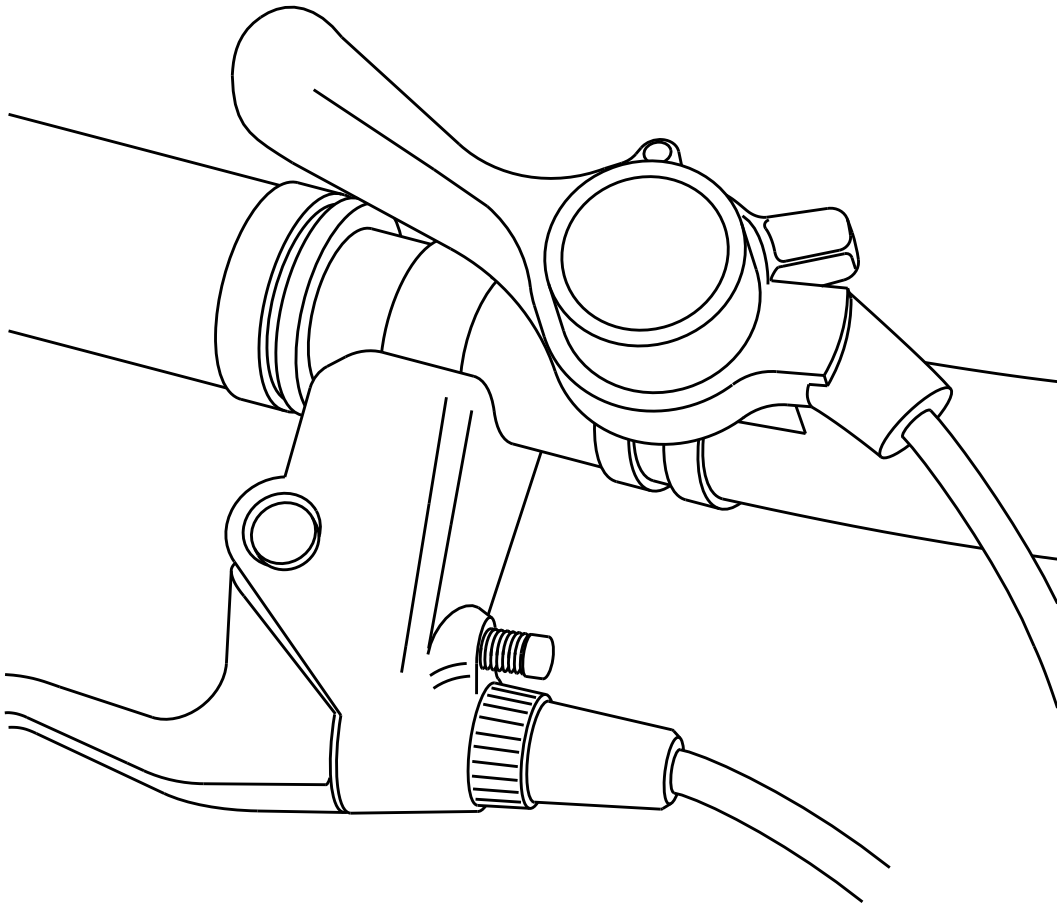
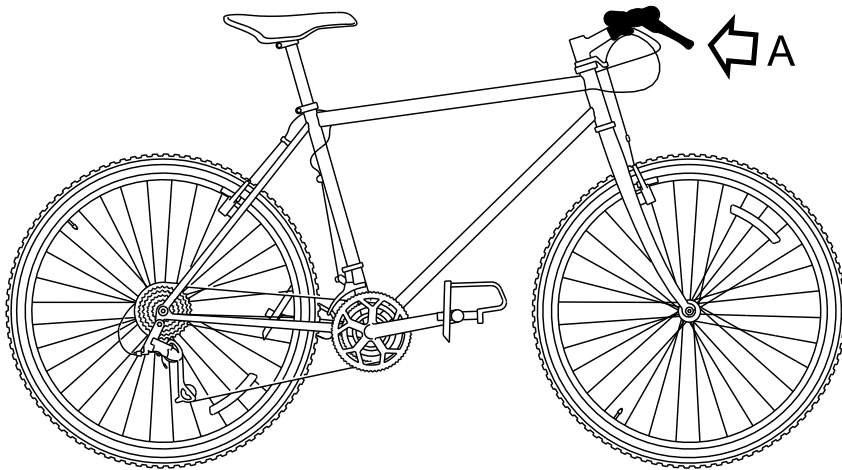
### *Description*

#### 1 Shifters

The thumb shifter is a usual type in modern bicycles. It is possible to adjust this type of shifter for operation in the index position or in the friction position. The differences between the two are:

- The index shifters change the gears with a click of a lever.
- The friction shifters hold the derailleur in its position by friction.

The thumb shifters (refer to [Fig 1](#)) are held on the bicycle with a screw. The paragraph that follows gives a description of a thumb shifter.



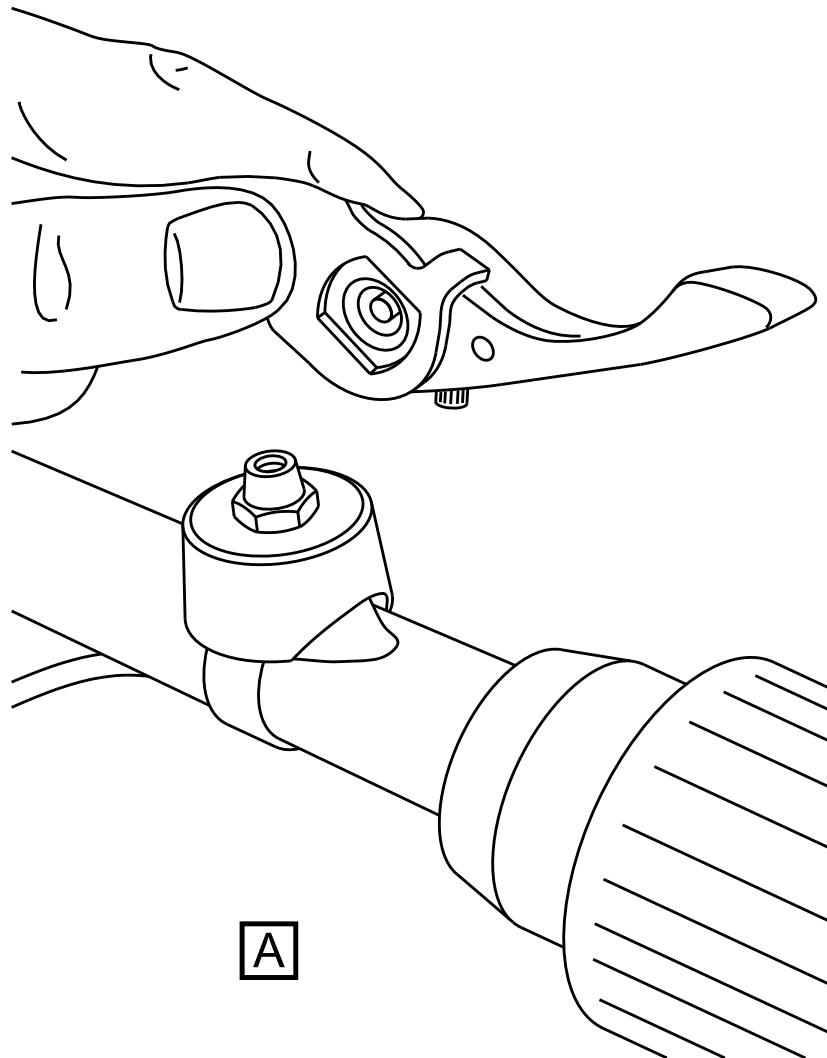
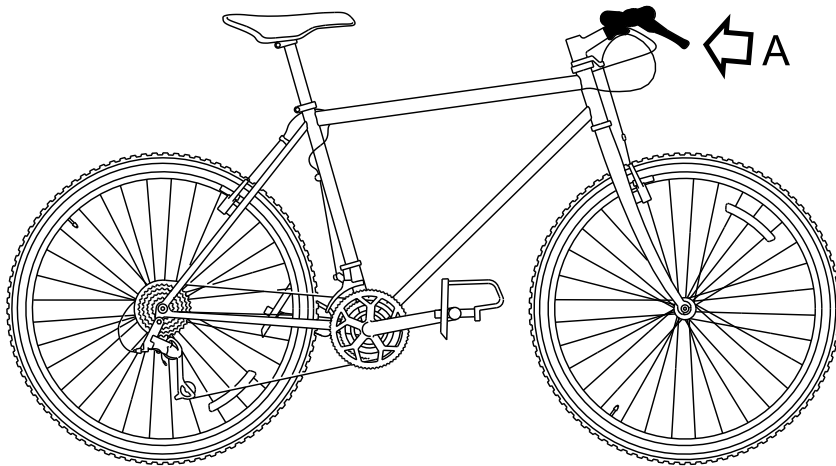
**A**

ICN-S1000DBIKE-AAA-DA53000-0-U8025-00535-A-04-1

*Fig 1 Thumb shifter index type*

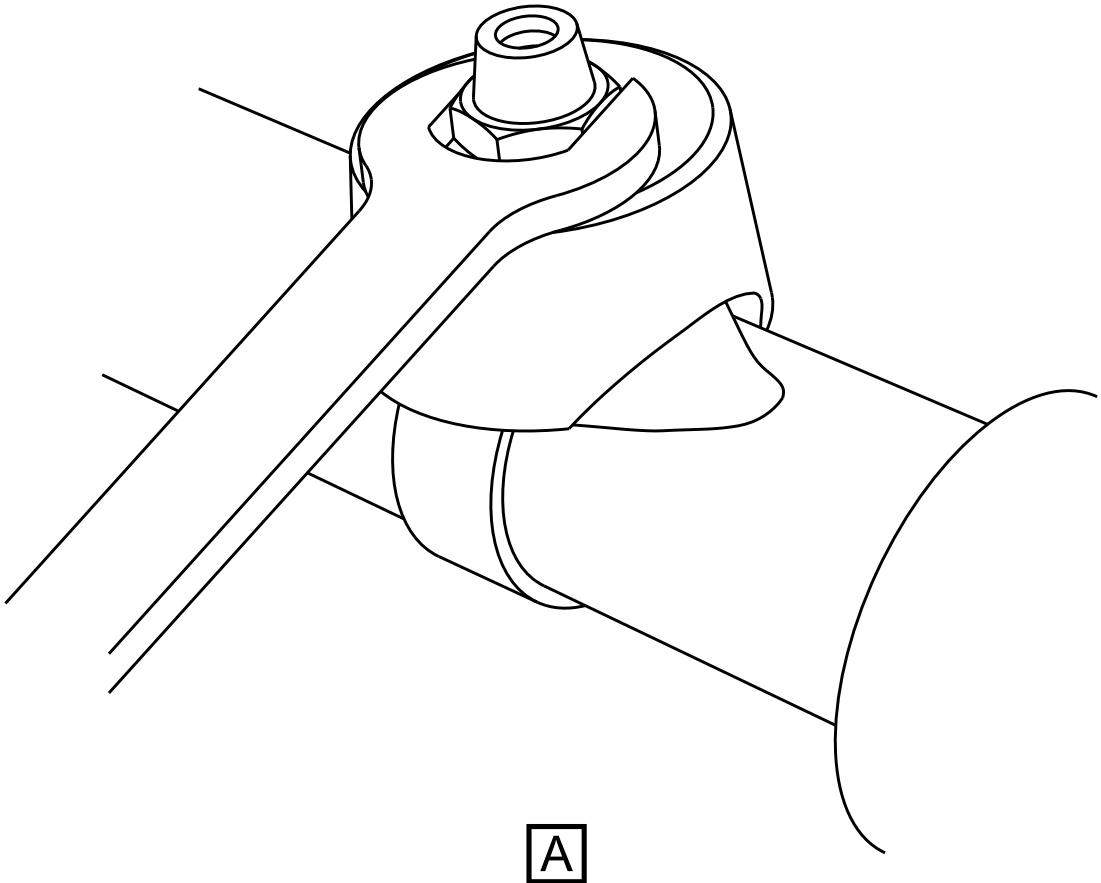
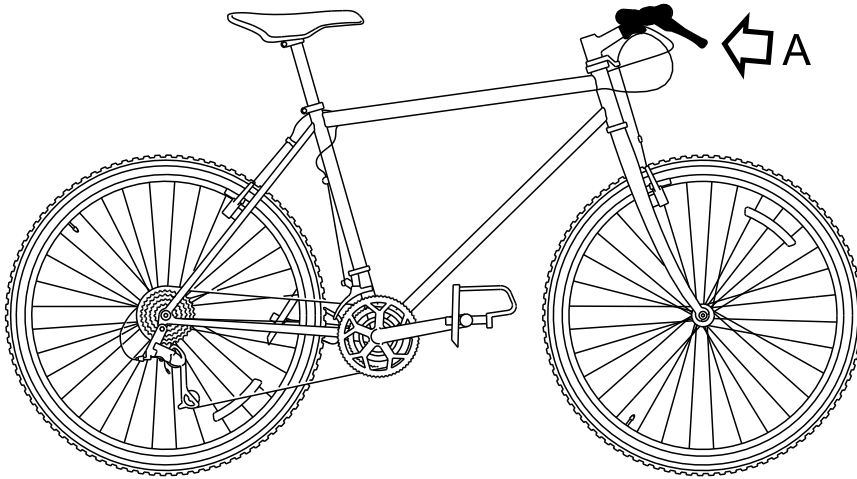
## 2 How a thumb shifter is made up

A wing nut (refer to [Fig 2](#)) from the top of the lever holds the thumb shifter. The lever is on top of the mount and the mount is on the handle bar with a nut. To remove the mount, it is necessary to loosen the nut of two turns (refer to [Fig 3](#)), then the mount can move from the handle bar from the top of the lever. The lever sits on top of the mount and the mount is fixed into place on the handle bar by a nut.



ICN-S1000DBIKE-AAA-DA53000-0-U8025-00525-A-04-1

Fig 2 Unscrew wingnut



A

ICN-S1000DBIKE-AAA-DA53000-0-U8025-00526-A-04-1

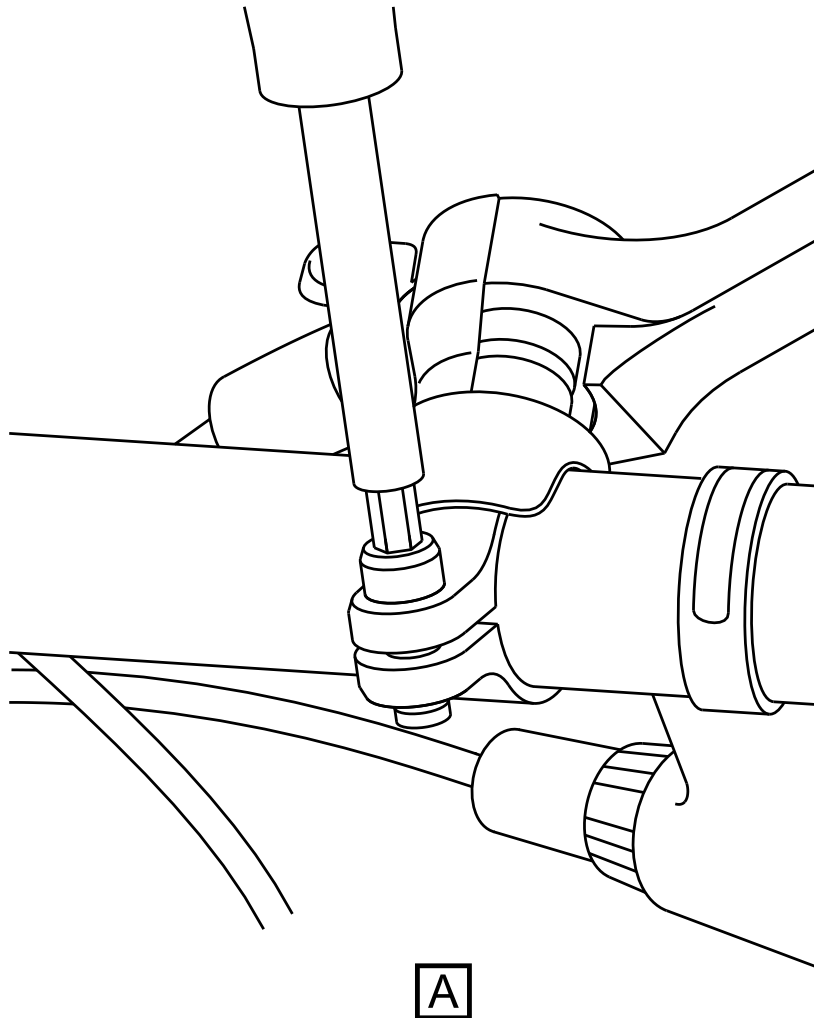
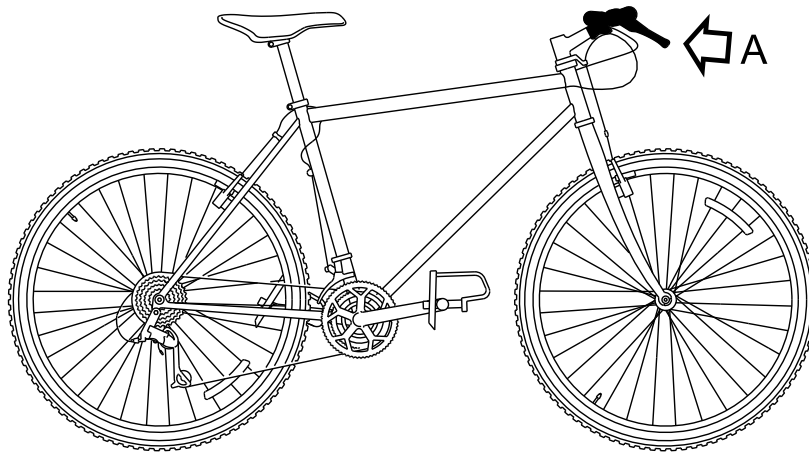
Fig 3 Loosen the nut

This is a draft copy of issue 000-01  
Printed 2021-09-27 12:56

Produced by Docuneering Ltd using the S1000D - Publication Builder

---

On modern models of this shifter, there is a clamp bolt that holds the shifter in its position (refer to [Fig 4](#)). The user can loosen the clamp bolt with an applicable tool. This lets the shifter release the handlebar.



ICN-S1000DBIKE-AAA-DA53000-0-U8025-00527-A-04-1

Fig 4 Loosen the shifter clamp bolt

This is a draft copy of Issue 000-01  
Printed 2021-09-27 12:56

Produced by Docuneering Ltd using the S1000D - Publication Builder

Intentionally left blank.



## Mountain bicycle

### *Applicability cross-reference table*

#### Table of contents

	Page
Applicability cross-reference table .....	1
References .....	1
Applicability cross-reference table .....	1

#### List of tables

1	References .....	1
2	Product attribute list .....	1

### *References*

*Table 1 References*

Data module / Technical publication	Title
None	

### *Applicability cross-reference table*

*Table 3 Product attribute list*

Name	Description	Data type	Values
Display name (Id)		Value pattern	
Brake serial number B/SN (serialNo)	Serial number by brake	String	
Model (model)	The model of the brake	String	BR01 BR02 SS-11

Intentionally left blank.

## Brake system

### *Description of how it is made*

#### Table of contents

	Page
Description of how it is made .....	1
References .....	1
Description .....	1
1 Brake system .....	1
1.1 Cantilever brake .....	1
1.2 Brake pads .....	4
1.3 Brake lever .....	6

#### List of tables

1	References .....	1
---	------------------	---

#### List of figures

1	Cantilever brake with straddle cable .....	3
2	Exploded diagram of a brake .....	5
3	Typical components of a mountain bicycle lever .....	7

### *References*

Table 1 References

Data module / Technical publication	Title
None	

### *Description*

## 1 Brake system

The most important part of the bicycle is the brake system. Only a minimum maintenance of the brake system is necessary. But, when a problem does occur, make sure you to do the necessary maintenance as quickly as possible. If you do not do this the bicycle will be dangerous to use.

There are nine different types of brake systems. The one found on most bicycles is the cantilever brake (refer to [Para 1.1](#)).

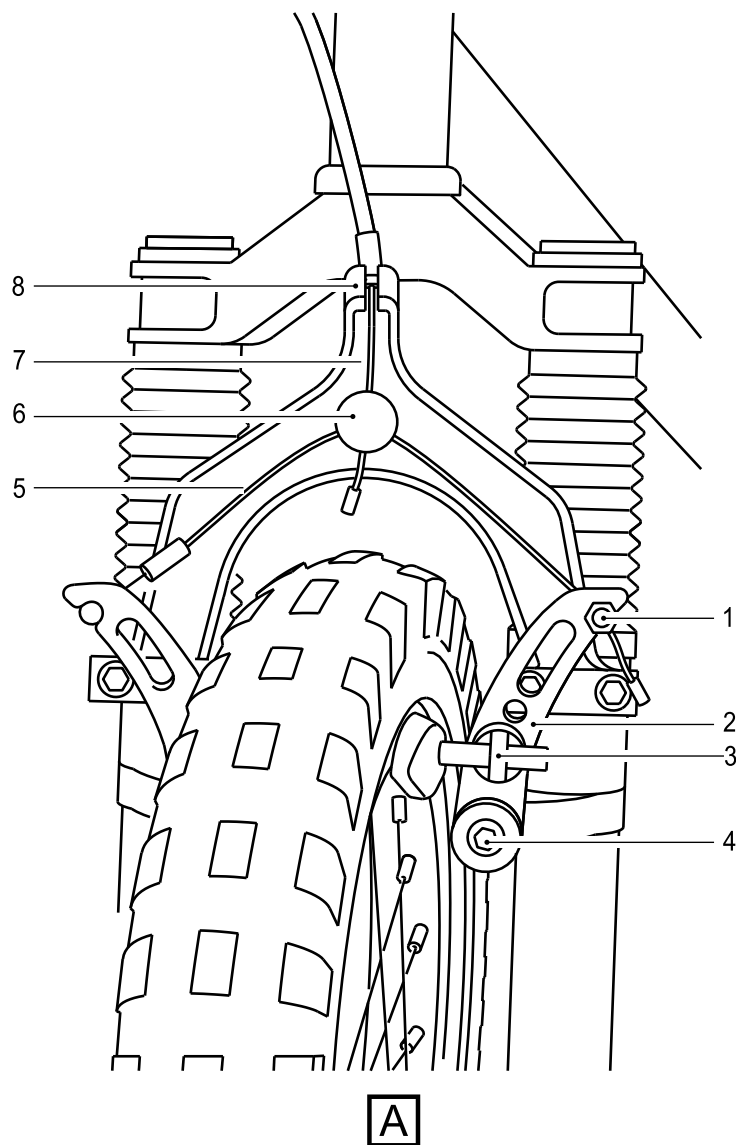
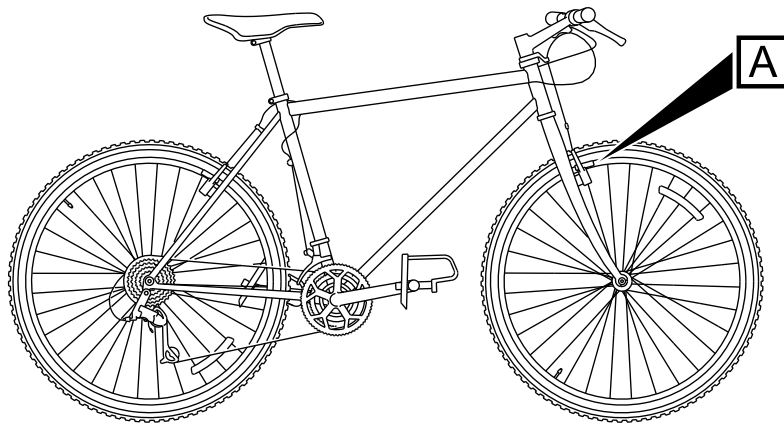
### 1.1 Cantilever brake

The brake system (refer to [Fig 1](#)) has these primary components:

- the brake lever (refer to [Para 1.3](#))
- the brake cable

---

the brake arm  
the brake clamp (also known as callipers)  
the brake pads (refer to [Para 1.2](#))



ICN-S1000DBIKE-AAA-DA10000-0-U8025-00512-A-04-1

Fig 1 Cantilever brake with straddle cable

This is a draft copy of Issue 000-01  
Printed 2021-09-27 12:56

Produced by Docuneering Ltd using the S1000D - Publication Builder

Applicable to: serialNo:  
0001~0008 and model: BR01

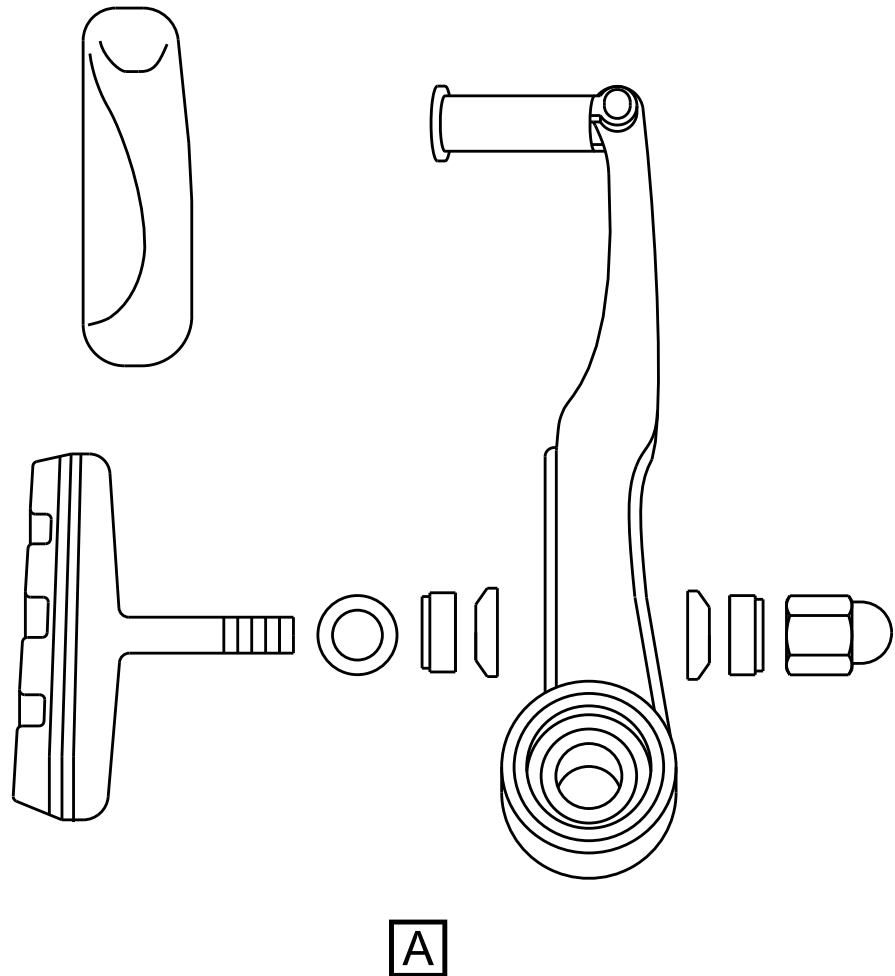
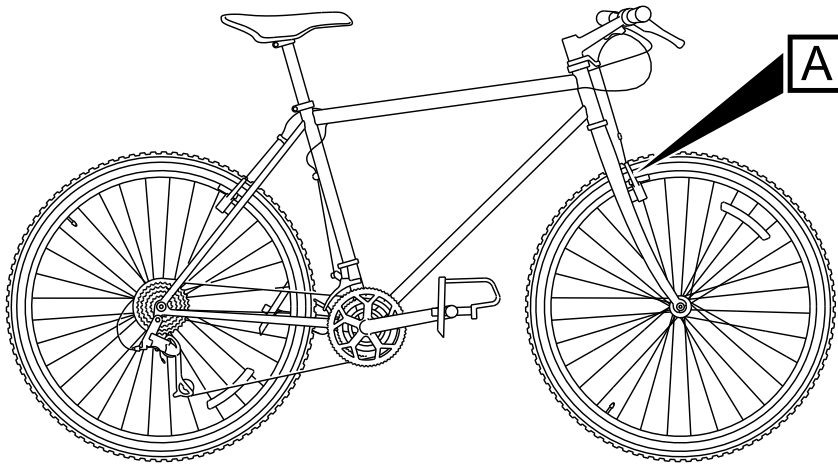
**BRAKE-AAA-DA1-00-00-00AA-041A-A**

---

A cable that goes from the brake levers on the handlebars pulls the two levers on the brakes together. This presses the brake pads against the outer rim of the wheel, which decreases the speed of the bicycle.

## 1.2 Brake pads

There are four brake pads (refer to [Fig 2](#)) on the bicycle. Two are found on the front wheel and two on the rear wheel. The brake pads are made out of hard wearing rubber. The pads press against the rim of the wheel to cause friction when the you operate the brake levers.



ICN-S1000DBIKE-AAA-DA10000-0-U8025-00513-A-04-1

Fig 2 Exploded diagram of a brake

This is a draft copy of issue 000-01  
Printed 2021-09-27 12:56

Produced by Docuneering Ltd using the S1000D - Publication Builder

Applicable to: serialNo:  
0001~0008 and model: BR01

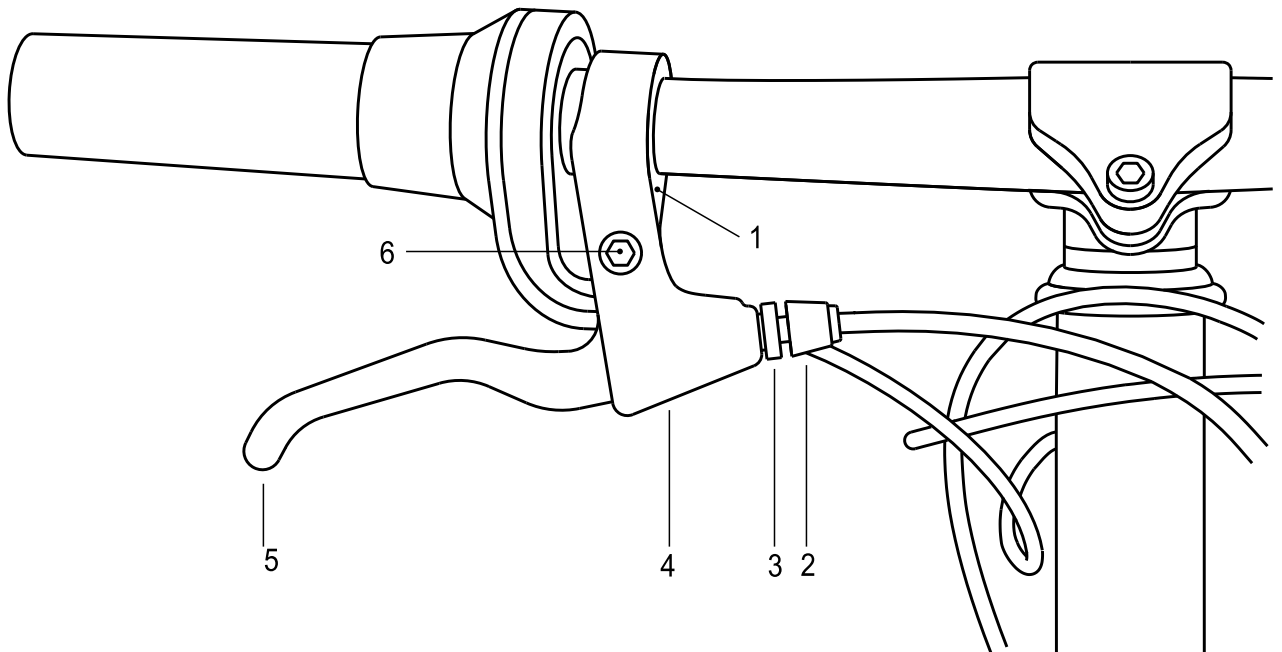
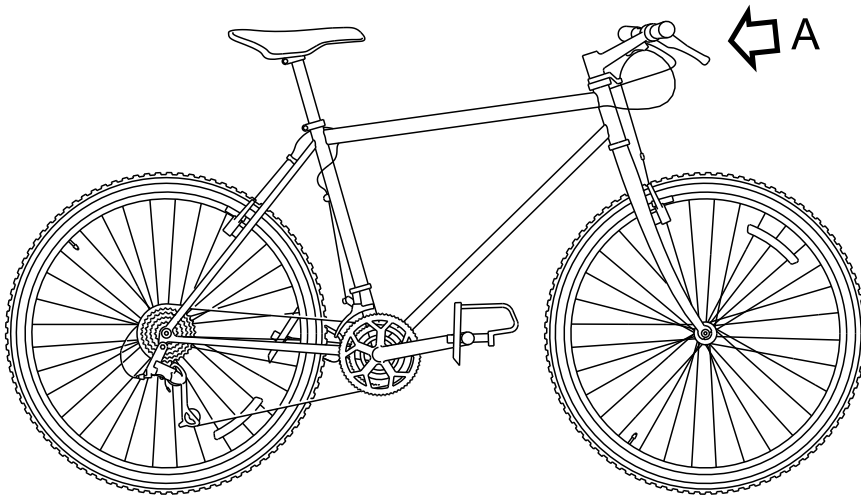
**BRAKE-AAA-DA1-00-00-00AA-041A-A**

---

## 1.3 Brake lever

The brake levers (refer to [Fig 3](#)) are easily damaged. The lever is installed in the mount. A clamp bolt holds the mount. This bolt is not visible because it is found in the mount. The lever turns on a lever pivot bolt. The adjuster lock nut holds the brake cable. This lock nut adjusts the tension of the cable.





ICN-S1000DBIKE-AAA-DA10000-0-U8025-00514-A-04-1

Fig 3 Typical components of a mountain bicycle lever

This is a draft copy of Issue 000-01  
Printed 2021-09-27 12:56

Produced by Docuneering Ltd using the S1000D - Publication Builder

Applicable to: serialNo:  
0001~0008 and model: BR01

**BRAKE-AAA-DA1-00-00-00AA-041A-A**

---

The left brake lever holds the brake pads on the front wheel and the right brake pads hold the brakes on the rear wheel.

## Brake system

### Manual test

#### Table of contents

	Page
Manual test .....	1
References .....	1
Preliminary requirements .....	1
Procedure .....	2
Requirements after job completion .....	2

#### List of tables

1	References .....	1
2	Required conditions .....	1
3	Required persons .....	1
4	Support equipment .....	2
5	Consumables, materials and expendables .....	2
6	Spares .....	2
7	Required conditions .....	2

### References

Table 1 References

Data module / Technical publication	Title
None	

### Preliminary requirements

#### Required conditions

Table 2 Required conditions

Action / Condition	Data module / Technical publication
None	

#### Required persons

Table 3 Required persons

Persons	Category	Skill level	Trade/Trade code	Estimated time
Man A	Basic user		Operator	0,3 h

Applicable to: serialNo: 0111  
and model: SS-11

**BRAKE-AAA-DA1-00-00-00AA-341A-A**

## Support equipment

*Table 4 Support equipment*

Name	Manufacturer / Part No.	Quantity	Remark
None			

## Consumables, materials and expendables

*Table 5 Consumables, materials and expendables*

Name	Manufacturer / Part No.	Quantity	Remark
None			

## Spares

*Table 6 Spares*

Name	Manufacturer / Part No.	Quantity	Remark
None			

## Safety conditions

None

### ***Procedure***

- 1 Put the bicycle in a vertical position.
- 2 Hold the handle bars and push the bicycle forwards.
- 3 Apply the brakes.
- 4 Make sure that the wheels lock and the bicycle stops.

### ***Requirements after job completion***

## Required conditions

*Table 7 Required conditions*

Action / Condition	Data module / Technical publication
None	

## Brake pads

### *Clean with rubbing alcohol*

#### Table of contents

	Page
Clean with rubbing alcohol .....	1
References .....	1
Preliminary requirements .....	1
Procedure .....	2
Requirements after job completion .....	3

#### List of tables

1	References .....	1
2	Required conditions .....	1
3	Required persons .....	1
4	Support equipment .....	2
5	Consumables, materials and expendables .....	2
6	Spares .....	2
7	Required conditions .....	3

### *References*

Table 1 References

Data module / Technical publication	Title
<a href="#">S1000DBIKE-AAA-D00-00-00AA-121A-A</a>	Bicycle – Pre-operation procedures (crew)

### *Preliminary requirements*

#### Required conditions

Table 2 Required conditions

Action / Condition	Data module / Technical publication
None	

#### Required persons

Table 3 Required persons

Persons	Category	Skill level	Trade/Trade code	Estimated time
Man A	Basic user		Operator	0,3 h

Applicable to: serialNo: 0010|  
0023|0056~0062 and model:  
BR02

**BRAKE-AAA-DA1-10-00-00AA-251A-A**

## Support equipment

*Table 4 Support equipment*

Name	Manufacturer / Part No.	Quantity	Remark
None			

## Consumables, materials and expendables

*Table 5 Consumables, materials and expendables*

Name	Manufacturer / Part No.	Quantity	Remark
Rubbing alcohol	MFR: KZ222 /PN: LL-002	As required	

## Spares

*Table 6 Spares*

Name	Manufacturer / Part No.	Quantity	Remark
None			

## Safety conditions

None

### ***Procedure***

- 1 Do a visual inspection of the brakes as given in the pre-ride checks (refer to [S1000DBIKE-AAA-D00-00-00-00AA-121A-A](#)).
- 2 Clean the brake pads.
  - 2.1 Find each of the brake pads.
  - 2.2 Apply a thin layer of the [Rubbing alcohol](#) on each of the brake pads.
  - 2.3 Rub the surface until you have applied the [Rubbing alcohol](#) to the complete surface of the pad.
  - 2.4 Remove the unwanted alcohol.

---

## *Requirements after job completion*

### Required conditions

*Table 7 Required conditions*

Action / Condition	Data module / Technical publication
None	

Intentionally left blank.



## Lighting

### *Functional item numbers common information repository*

<b>Table of contents</b>	Page
Functional item numbers common information repository .....	1
References .....	1
Functional items repository .....	1

### List of tables

1	References .....	1
---	------------------	---

### *References*

*Table 1 References*

Data module / Technical publication	Title
None	

### *Functional items repository*

- 1 Batt**
- Functional item number:..... Batt
- Type:..... Exact
- Installation identifier:..... ELO-Box
- Context identification:.....PN-AC-12561
- Manufacturer code:..... F0001
- Originator:..... Manufacturer
- Name:..... Battery
- Alternatives:**
- Applicable to: Mountain storm Mk1***
- **Functional item**
- Normative component:..... Yes
- Location:..... Section: 21 cm

## 2 C\_Batt

Functional item number:..... C\_Batt  
 Type:..... Exact  
 Installation identifier:..... ELO-Box  
 Context identification:.....PN-AC-12561  
 Manufacturer code:..... F0001  
 Originator:..... Manufacturer  
 Name:.....Connector

**Alternatives:**

*Applicable to: Mountain storm Mk1*

– **Functional item**

Sealed:..... Yes  
 Location:..... Zone 300

## 3 C\_Bike

Functional item number:..... C\_Bike  
 Type:..... Exact  
 Installation identifier:..... ELO-Box  
 Name:.....Receptacle

**Alternatives:**

*Applicable to: Mountain storm Mk1*

– **Functional item**

Normative component:.....Yes  
 Location:..... instloctyp60: 60 cm

## 4 Diode

Functional item number:..... Diode  
 Type:..... Exact  
 Installation identifier:..... d1  
 Name:.....Diode

**Alternatives:**

*Applicable to: Mountain storm Mk1*

– **Functional item**

Normative component:.....Yes  
 Location:..... Zone 100

**5 Diode**

Functional item number:..... Diode

Type:..... Exact

Installation identifier:..... d2

Name:.....Diode

**Alternatives:****Applicable to:** *Mountain storm Mk1*– **Functional item**

Normative component:.....Yes

Location:..... Zone 300

**6 ELO-Box**

Functional item number:..... ELO-Box

Type:..... Exact

Name:.....Electronic Box 01

**Alternatives:****Applicable to:** *Mountain storm Mk1*– **Functional item**

Normative component:.....Yes

Location:..... instloctyp60: 45 cm

Family:..... Electronic Unit

**7 FT1**

Functional item number:..... FT1

Type:..... Exact

Installation identifier:..... ELO-Box

Name:.....GT-002-WD

**Alternatives:****Applicable to:** *Mountain storm Mk1*– **Functional item**

Normative component:.....Yes

Location:..... instloctyp60: 10 cm

## 8 FT2

Functional item number:..... FT2  
Type:..... Exact  
Installation identifier:..... ELO-Box  
Name:.....GT-004-WD

**Alternatives:**

*Applicable to: Mountain storm Mk1*

– **Functional item**

Normative component:.....Yes  
Location:..... instloctyp60: 10 cm

## 9 FT3

Functional item number:..... FT3  
Type:..... Exact  
Installation identifier:..... ELO-Box  
Name:.....GT-004-WD

**Alternatives:**

*Applicable to: Mountain storm Mk1*

– **Functional item**

Normative component:.....Yes  
Location:..... instloctyp60: 10 cm

## 10 Gen

Functional item number:..... Gen  
Type:..... Exact  
Name:.....Generator

**Alternatives:**

*Applicable to: Mountain storm Mk1*

– **Functional item**

Normative component:.....Yes  
Location:..... Zone 200

**11 L1**

Functional item number:..... L1  
 Type:..... Exact  
 Name:..... Front light

**Alternatives:****Applicable to:** *Mountain storm Mk1*

- **Functional item**  
 Normative component:..... Yes  
 Location:..... Buttock line: 55 cm  
 Family:..... lights

**12 L2**

Functional item number:..... L2  
 Type:..... Exact  
 Name:..... Rear light

**Alternatives:****Applicable to:** *Mountain storm Mk1*

- **Functional item**  
 Normative component:..... Yes  
 Location:..... Zone Buttock line: 30 cm  
 Family:..... lights

**13 Rel**

Functional item number:..... Rel  
 Type:..... Exact  
 Installation identifier:..... ELO-BOX  
 Name:..... Relay

**Alternatives:****Applicable to:** *Mountain storm Mk1*

- **Functional item**  
 Normative component:..... Yes  
 Location:..... instloctyp60: 95 cm

**14 S1**

Functional item number:..... S1  
 Type:..... Exact  
 Installation identifier:..... ELO-Box  
 Name:..... Switch

**Alternatives:**

**Applicable to:** *Mountain storm Mk1*

– **Functional item**

Normative component:..... Yes  
 Location:..... Water line: 30 cm

**15 Sensor**

Functional item number:..... Sensor  
 Type:..... Exact  
 Name:..... Speed sensor

**Alternatives:**

**Applicable to:** *Mountain storm Mk1*

– **Functional item**

Normative component:..... Yes  
 Location:..... Water line: 2 cm

**16 T01**

Functional item number:..... T01  
 Type:..... Exact  
 Name:..... Tachometer

**Alternatives:**

**Applicable to:** *Mountain storm Mk1*

– **Functional item**

Normative component:..... Yes  
 Location:..... Water line: 6 cm

**17 VV1**

Functional item number:..... VV1  
 Type:..... Exact  
 Installation identifier:..... ELO-Box  
 Name:..... Distribution module

**Alternatives:**

**Applicable to:** *Mountain storm Mk1*

– **Functional item**

Normative component:..... Yes  
 Location:..... instloctyp60: 25 cm

This is a draft copy of Issue 000-01  
Printed 2021-09-27 12:56

Produced by Docuneering Ltd using the S1000D - Publication Builder

Intentionally left blank.



## Lighting

### *Parts common information repository*

#### Table of contents

	Page
Parts common information repository .....	1
References .....	1
Parts repository .....	1

#### List of tables

1	References .....	1
---	------------------	---

### *References*

Table 1 References

Data module / Technical publication	Title
None	

### *Parts repository*

#### 1 LIRUS-B1-12F

Part number:..... LIRUS-B1-12F

Manufacturer code:.....KZ777

Description for part:..... Front Bulb

##### **Procurement data**

Enterprises:.....F0001

##### **Technical data**

Part usage:..... Basic issue item

#### 2 LIRUS-B1-12R

Part number:..... LIRUS-B1-12R

Manufacturer code:.....KZ777

Description for part:..... Rear Bulb

##### **Procurement data**

Enterprises:.....F0001

##### **Technical data**

Part usage:..... Basic issue item

**3 LIRUS-G1-10**

Part number:..... LIRUS-G1-10  
 Manufacturer code:..... KZ777  
 Description for part:..... Glass

**Procurement data**

Enterprises:..... F0001

**Technical data**

Part usage:..... Basic issue item

**4 LIRUS-G1-10H**

Part number:..... LIRUS-G1-10H  
 Manufacturer code:..... KZ777  
 Description for part:..... Glass with hole

**Procurement data**

Enterprises:..... F0001

**Technical data**

Part usage:..... Basic issue item

**5 LIRUS-L1-10**

Part number:..... LIRUS-L1-10  
 Manufacturer code:..... KZ777  
 Description for part:..... Battery

**Procurement data**

Enterprises:..... F0001

**Technical data**

Part usage:..... Basic issue item  
 Special storage:..... Yes

**6 LIRUS-L1-11**

Part number:..... LIRUS-L1-11  
 Manufacturer code:..... KZ777  
 Description for part:..... Bulb

**Procurement data**

Enterprises:..... F0001

**Technical data**

Part usage:..... Basic issue item  
 Special storage:..... Yes

**7 LIRUs-L1-11**

Part number:..... LIRUs-L1-11

Manufacturer code:..... KZ111

Description for part:..... Bulb

**Procurement data**

Enterprises:..... F0001

**Technical data**

Part usage:..... Basic issue item

Special storage:..... Yes

**8 LRU-B001**

Part number:..... LRU-B001

Manufacturer code:..... KZ777

Description for part:..... Bracket, light mounting

**Procurement data**

Enterprises:..... F0001

**Technical data**

Part usage:..... Basic issue item

Special storage:..... No

**9 LRU-B003**

Part number:..... LRU-B003

Manufacturer code:..... KZ777

Description for part:..... Clip

**Procurement data**

Enterprises:..... F0001

**Technical data**

Part usage:..... Basic issue item

Special storage:..... No

**10 LRU-B124**

Part number:..... LRU-B124

Manufacturer code:..... KZ777

Description for part:..... Screw, special

**Procurement data**

Enterprises:..... F0001

**Technical data**

Part usage:..... Basic issue item

Special storage:..... No

**11 LRU-B556**

Part number:..... LRU-B556  
Manufacturer code:..... KZ777  
Description for part:..... Washer,flat

**Procurement data**

Enterprises:..... F0001

**Technical data**

Part usage:..... Basic issue item  
Special storage:..... No

**12 LRU-B789**

Part number:..... LRU-B789  
Manufacturer code:..... KZ777  
Description for part:..... Grip,strip

**Procurement data**

Enterprises:..... F0001

**Technical data**

Part usage:..... Basic issue item  
Special storage:..... No

**13 LRU1001**

Part number:..... LRU1001  
Manufacturer code:..... KZ777  
Description for part:..... Light system

**Procurement data**

Enterprises:..... F0001

**Technical data**

Part usage:..... Basic issue item  
Special storage:..... Yes

**14 LRU1010**

Part number:..... LRU1010  
Manufacturer code:..... KZ777  
Description for part:..... Light, sub-assembly front

**Procurement data**

Enterprises:..... F0001

**Technical data**

Part usage:..... Basic issue item  
Special storage:..... Yes

**15 LRU1011**

Part number:..... LRU1011  
 Manufacturer code:..... KZ777  
 Description for part:..... Light, main body

**Procurement data**

Enterprises:..... F0001

**Technical data**

Part usage:..... Basic issue item  
 Special storage:..... No

**16 LRU1012**

Part number:..... LRU1012  
 Manufacturer code:..... KZ777  
 Description for part:..... Light, base

**Procurement data**

Enterprises:..... F0001

**Technical data**

Part usage:..... Basic issue item  
 Special storage:..... No

**17 LRU1013**

Part number:..... LRU1013  
 Manufacturer code:..... KZ777  
 Description for part:..... Seal

**Procurement data**

Enterprises:..... F0001

**Technical data**

Part usage:..... Basic issue item  
 Special storage:..... No

**18 LRU1018**

Part number:..... LRU1018  
 Manufacturer code:..... KZ777  
 Description for part:..... Lens, assembly

**Procurement data**

Enterprises:..... F0001

**Technical data**

Part usage:..... Basic issue item  
 Special storage:..... No

---

## 19 LRU1019

Part number:..... LRU1019  
Manufacturer code:..... KZ777  
Description for part:..... Lens sub-assembly

### Procurement data

Enterprises:..... F0001

### Technical data

Part usage:..... Basic issue item  
Special storage:..... No

## 20 LRU1020

Part number:..... LRU1020  
Manufacturer code:..... KZ777  
Description for part:..... Reflector

### Procurement data

Enterprises:..... F0001

### Technical data

Part usage:..... Basic issue item  
Special storage:..... No

## 21 LRU1022

Part number:..... LRU1022  
Manufacturer code:..... KZ777  
Description for part:..... Seal

### Procurement data

Enterprises:..... F0001

### Technical data

Part usage:..... Basic issue item  
Special storage:..... No

## 22 LRU1026

Part number:..... LRU1026  
Manufacturer code:..... KZ777  
Description for part:..... Loom wiring

### Procurement data

Enterprises:..... F0001

### Technical data

Part usage:..... Basic issue item  
Special storage:..... No

**23 LRU2010**

Part number:..... LRU2010  
Manufacturer code:..... KZ777  
Description for part:..... Light, sub assembly rear

**Procurement data**

Enterprises:..... F0001

**Technical data**

Part usage:..... Basic issue item

**24 LRU2018**

Part number:..... LRU2018  
Manufacturer code:..... KZ777  
Description for part:..... Lens, assembly rear

**Procurement data**

Enterprises:..... F0001

**Technical data**

Part usage:..... Basic issue item

This is a draft copy of Issue 000-01  
Printed 2021-09-27 12:56

Produced by Docuneering Ltd using the S1000D - Publication Builder

Intentionally left blank.



## Lighting

### *Zones common information repository*

#### Table of contents

	Page
Zones common information repository .....	1
References .....	1
Zones repository .....	1

#### List of tables

1	References .....	1
---	------------------	---

### *References*

*Table 1 References*

Data module / Technical publication	Title
None	

### *Zones repository*

- 1            100**

Type:..... Major zone

Zone number:..... 100

contains:..... [110](#)

**Alternatives:**

**Applicable to:** *Brook trekker Mk9*

  - **Zone**

Description:..... FRONT ZONE BEGINS BY FRONT TIRE. IT STARTS FROM LENGTH "0 cm" TO LENGTH "50 cm"
- 2            110**

Type:..... Subzone

Zone number:..... 110

contains:..... [100](#)

**Alternatives:**

**Applicable to:** *Brook trekker Mk9*

  - **Zone**

Description:..... TIRE ZONE INCLUDING THE FRONT TIRE, THE INNER TUBE AND THE SPOKES

### 3 200

Type:..... Major zone

Zone number:..... 200

**Alternatives:**

**Applicable to:** *Brook trekker Mk9*

– **Zone**

Description:..... MIDDLE ZONE. IT STARTS FROM LENGTH "50 cm" TO LENGTH "100 cm"

### 4 300

Type:..... Major zone

Zone number:..... 300

**Alternatives:**

**Applicable to:** *Mountain storm Mk1*

– **Zone**

Description:..... BACK ZONE. IT STARTS FROM LENGTH "100 cm" TO LENGTH "150 cm"

## Lighting

### *Support equipment common information repository*

#### Table of contents

	Page
Support equipment common information repository .....	1
References .....	1
Tools repository .....	1

#### List of tables

1	References .....	1
---	------------------	---

### *References*

*Table 1 References*

Data module / Technical publication	Title
None	

### *Tools repository*

#### 1 **BSK-TLST-001**

Tool number:..... BSK-TLST-001  
 Manufacturer code:..... KZ666  
 Description for part:..... Specialist toolset Descr  
 Short name:..... Specialist toolset  
**Procurement data**  
**Technical data**  
     Quantity:..... 1  
**Alternatives:**  
 - **Tool**  
     Description:..... Specialist toolset Descr

This is a draft copy of Issue 000-01  
 Printed 2021-09-27 12:56

Produced by Docuneering Ltd using the S1000D - Publication Builder

**2 BSK-TLST-001-01**

Tool number:..... BSK-TLST-001-01  
 Manufacturer code:..... KZ666  
 Description for part:..... Tire pressure gauge Descr  
 Short name:..... Tire pressure gauge

**Procurement data**

**Technical data**

Quantity:.....1

**Alternatives:**

- **Tool**  
 Description:..... Tire pressure gauge Descr

**3 BSK-TLST-001-02**

Tool number:..... BSK-TLST-001-02  
 Manufacturer code:..... KZ666  
 Description for part:..... Stiff bristle brus Descr  
 Short name:..... Stiff bristle brush

**Procurement data**

**Technical data**

Quantity:.....1

**Alternatives:**

- **Tool**  
 Description:..... Stiff bristle brush Descr

**4 BSK-TLST-001-03**

Tool number:..... BSK-TLST-001-03  
 Manufacturer code:..... KZ666  
 Description for part:..... Chain cleaning tool Descr  
 Short name:..... Chain cleaning tool

**Procurement data**

**Technical data**

Quantity:.....1

**Alternatives:**

- **Tool**  
 Description:..... Chain cleaning tool Descr

**5 BSK-TLST-001-04**

Tool number:..... BSK-TLST-001-04

Manufacturer code:..... KZ666

Description for part:..... Tire lever Descr

Short name:..... Tire lever

**Procurement data****Technical data**

Quantity:..... 1

**Alternatives:**- **Tool**

Description:..... Tire lever Descr

**6 BSK-TLST-001-05**

Tool number:..... BSK-TLST-001-05

Manufacturer code:..... KZ666

Description for part:..... Foot pump Descr

Short name:..... Foot pump

**Procurement data****Technical data**

Quantity:..... 1

**Alternatives:**- **Tool**

Description:..... Foot pump Descr

**7 BSK-TLST-001-07**

Tool number:..... BSK-TLST-001-07

Manufacturer code:..... KZ666

Description for part:..... Marker pen Descr

Short name:..... Marker pen

**Procurement data****Technical data**

Quantity:..... 1

**Alternatives:**- **Tool**

Description:..... Marker pen Descr

**8 BSK-TLST-001-07**

Tool number:..... BSK-TLST-001-07  
Manufacturer code:..... KZ666  
Description for part:..... Tube patch kit Descr  
Short name:..... Tube patch kit

**Procurement data**

**Technical data**

Quantity:..... 1

**Alternatives:**

- **Tool**  
Description:..... Tube patch kit Descr

**9 BSK-TLST-001-08**

Tool number:..... BSK-TLST-001-08  
Manufacturer code:..... KZ666  
Description for part:..... 8mm Allen wrench Descr  
Short name:..... 8mm Allen wrench

**Procurement data**

**Technical data**

Quantity:..... 1

**Alternatives:**

- **Tool**  
Description:..... 8mm Allen wrench Descr

**10 BSK-TLST-001-09**

Tool number:..... BSK-TLST-001-09  
Manufacturer code:..... KZ666  
Description for part:..... Water hose Descr  
Short name:..... Water hose

**Procurement data**

**Technical data**

Quantity:..... 1

**Alternatives:**

- **Tool**  
Description:..... Water hose Descr

**11 BSK-TLST-001-11**

Tool number:..... BSK-TLST-001-11

Manufacturer code:..... KZ666

Description for part:..... Sponge Descr

Short name:..... Sponge

**Procurement data****Technical data**

Quantity:..... 1

**Alternatives:**– **Tool**

Description:..... Sponge Descr

**12 BSK-TLST-001-12**

Tool number:..... BSK-TLST-001-12

Manufacturer code:..... KZ666

Description for part:..... Clean dry cloth Descr

Short name:..... Clean dry cloth

**Procurement data****Technical data**

Quantity:..... 1

**Alternatives:**– **Tool**

Description:..... Clean dry cloth Descr

**13 BSK-TLST-001-13**

Tool number:..... BSK-TLST-001-13

Manufacturer code:..... KZ666

Description for part:..... Set of Allen wrenches Descr

Short name:..... Set of Allen wrenches

**Procurement data****Technical data**

Quantity:..... 1

**Alternatives:**– **Tool**

Description:..... Set of Allen wrenches Descr

**14 BSK-TLST-999-01**

Tool number:..... BSK-TLST-999-01  
 Manufacturer code:..... KZ666  
 Description for part:..... Test stand Descr  
 Short name:..... Test stand

**Procurement data**

**Technical data**

Quantity:.....1

**Alternatives:**

– **Tool**

Description:..... Test stand Descr

**15 HSP-D001**

Tool number:..... HSP-D001  
 Manufacturer code:..... HS111  
 Description for part:..... Extra firm hold hairspray Descr  
 Short name:..... Extra firm hold hairspray

**Procurement data**

**Technical data**

Quantity:.....1

**Alternatives:**

– **Tool**

Description:..... Extra firm hold hairspray Descr

**16 LL-003**

Tool number:..... LL-003  
 Manufacturer code:..... KZ222  
 Description for part:..... Chain cleaning fluid Descr  
 Short name:..... Chain cleaning fluid

**Procurement data**

**Technical data**

Quantity:.....As required

**Alternatives:**

– **Tool**

Description:..... Chain cleaning fluid Descr



**17 PPP-001**

Tool number:..... PPP-001  
Manufacturer code:..... KK999  
Description for part:..... Floor covering Descr  
Short name:..... Floor covering

**Procurement data**

**Technical data**

Quantity:..... 1

**Alternatives:**

– **Tool**

Description:..... Floor covering Descr

**18 Stand-001**

Tool number:..... Stand-001  
Manufacturer code:..... KZ666  
Description for part:..... Work stand Descr  
Short name:..... Work stand

**Procurement data**

**Technical data**

Quantity:..... 1

**Alternatives:**

– **Tool**

Description:..... Work stand Descr

This is a draft copy of Issue 000-01  
Printed 2021-09-27 12:56

Produced by Docuneering Ltd using the S1000D - Publication Builder

Intentionally left blank.

**Wiring data**

***Field description***

**This is a "wrngflds" Data Module**

**The Docuneering S1000D XSL-FO Stylesheets  
do not yet support the "wrngflds" Data Module**

This is a draft copy of Issue 000-01  
Printed 2021-09-27 12:56

Produced by Docuneering Ltd using the S1000D - Publication Builder

Intentionally left blank.

## Electrical system

### *Description of how it is made and its function*

#### Table of contents

	Page
Description of how it is made and its function .....	1
References .....	1
Description .....	1
1      Lighting system .....	1

#### List of tables

1      References .....	1
-------------------------	---

#### List of figures

1      Lighting system .....	2
------------------------------	---

### **References**

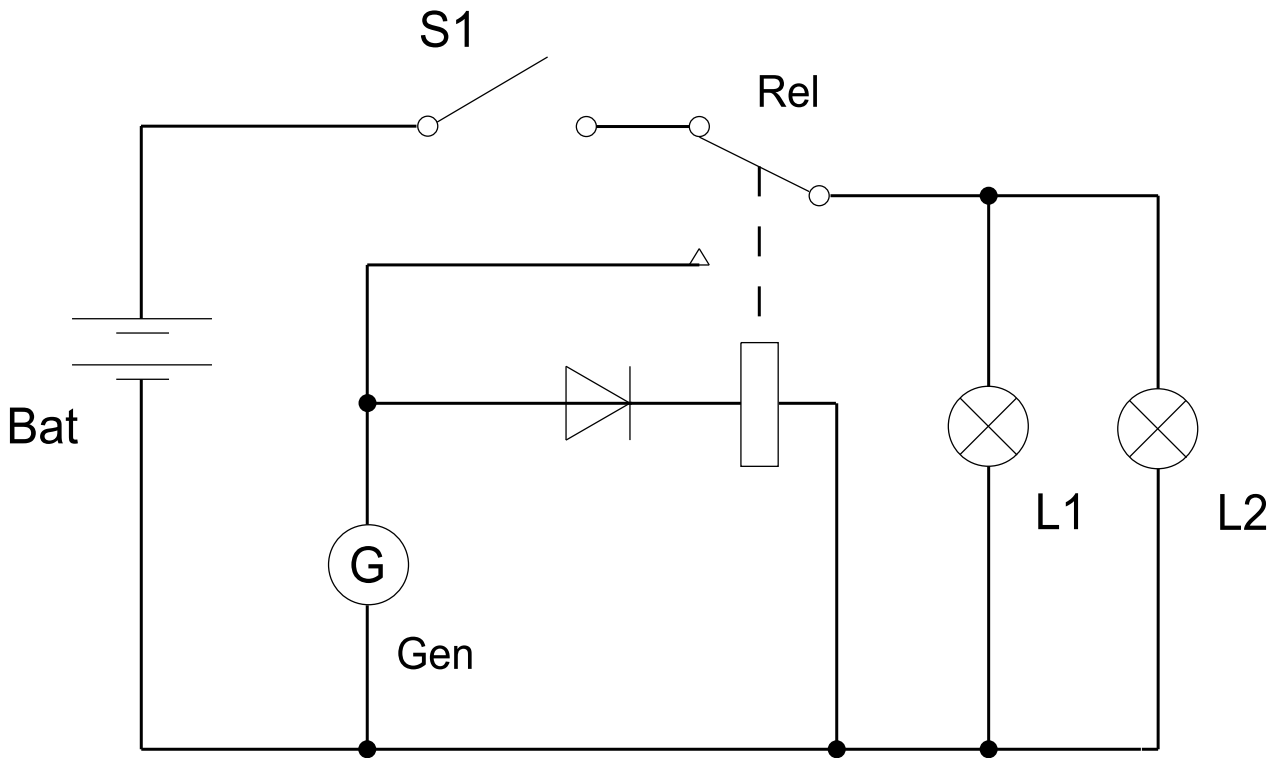
*Table 1 References*

Data module / Technical publication	Title
None	

### **Description**

#### **1      Lighting system**

The illustration that follows (see [Fig 1](#)) shows the lighting system of the bicycle.



ICN-S1000DBIKE-AAA-DA24000-0-C0419-12345-A-04-1

Fig 1 Lighting system

## Wiring

### Equipment lists

#### Table of contents

	Page
Equipment lists .....	1
References .....	1
Wiring data .....	1

#### List of tables

1	References .....	1
---	------------------	---

### References

Table 1 References

Data module / Technical publication	Title
None	

### Wiring data

Ident	CLC	Qty	Information	Installation	Applicability
L1 PN: Front light	16		RPC: CAGE: U8025 Name: UK MoD	• Locations: - Handle bars	Mountain bicycle and (Mountain storm Mk1 or Brook trekker Mk9)
L2 PN: Rear light	16		RPC: CAGE: U8025 Name: UK MoD	• Locations: - Seat post	Mountain bicycle and (Mountain storm Mk1 or Brook trekker Mk9)
Batt PN: Battery	16		RPC: CAGE: U8025 Name: UK MoD	• Locations: - Frame NHA: FIN ELO-Box	Mountain bicycle and (Mountain storm Mk1 or Brook trekker Mk9)
Gen PN: Generator	16		RPC: CAGE: U8025 Name: UK MoD	• Locations: - Steering tube	Mountain bicycle and (Mountain storm Mk1 or Brook trekker Mk9)
Rel PN: Relay	10		RPC: CAGE: U8025 Name: UK MoD	• Locations: - Frame NHA: FIN ELO-Box	Mountain bicycle and (Mountain storm Mk1 or Brook trekker Mk9)

Applicable to: Mountain bicycle  
and (Mountain storm Mk1 or  
Brook trekker Mk9)

S1000DLIGHTING-AAA-D00-00-00-00AA-056A-A

(Continued)

Ident	CLC	Qty	Information	Installation	Applicability
VV1 PN: Distribution module	07		Transverse link: - Contacts: - 1 + - 2 + - 3 + - 4 + - Contacts: - 1 - - 2 - - 3 - - 4 - RPC: CAGE: U8025 Name: UK MoD	<ul style="list-style-type: none"> <li>Locations: - Frame NHA: FIN ELO-Box</li> </ul>	Mountain bicycle and (Mountain storm Mk1 or Brook trekker Mk9)
S1 PN: Switch	15		RPC: CAGE: U8025 Name: UK MoD	<ul style="list-style-type: none"> <li>Locations: - Handle bars NHA: FIN ELO-Box</li> </ul>	Mountain bicycle and (Mountain storm Mk1 or Brook trekker Mk9)
C_Batt PN: Connector	3		RPC: CAGE: U8025 Name: UK MoD	<ul style="list-style-type: none"> <li>Locations: - Frame Sibling plug id: FIN C_Bike NHA: FIN ELO-Box</li> </ul>	Mountain bicycle and (Mountain storm Mk1 or Brook trekker Mk9)
C_Bike PN: Receptacle	3		RPC: CAGE: U8025 Name: UK MoD	<ul style="list-style-type: none"> <li>Locations: - Frame Sibling plug id: FIN C_Batt NHA: FIN ELO-Box</li> </ul>	Mountain bicycle and (Mountain storm Mk1 or Brook trekker Mk9)
Diode PN: Diode	18	2	RPC: CAGE: U8025 Name: UK MoD	<ul style="list-style-type: none"> <li>Install id: d1 Locations: - Frame NHA: FIN ELO-Box Pos. on NHA:   Mount position: LH</li> <li>Install id: d2 Locations: - Frame NHA: FIN ELO-Box Pos. on NHA:   Mount position: RH</li> </ul>	Mountain bicycle and (Mountain storm Mk1 or Brook trekker Mk9)
Sensor PN: Speed sensor	16		RPC: CAGE: U8025 Name: UK MoD	<ul style="list-style-type: none"> <li>Locations: - Steering tube</li> </ul>	Mountain bicycle and (Mountain storm Mk1 or Brook trekker Mk9)
T01 PN: Tachometer	16		RPC: CAGE: U8025 Name: UK MoD	<ul style="list-style-type: none"> <li>Locations: - Handle bars</li> </ul>	Mountain bicycle and (Mountain storm Mk1 or Brook trekker Mk9)



(Continued)

Ident	CLC	Qty	Information	Installation	Applicability
ELO-Box PN: Electronic Box 01	13		Max mount. pos.: 5 RPC: CAGE: U8025 Name: UK MoD	• Locations: - Frame	Mountain bicycle and (Mountain storm Mk1 or Brook trekker Mk9)
FT1 PN: GT-002-WD	11		RPC: CAGE: U8025 Name: UK MoD	• Locations: - Frame NHA: FIN ELO-Box Pos. on NHA: Mount position: P1	Mountain bicycle and (Mountain storm Mk1 or Brook trekker Mk9)
FT2 PN: GT-004-WD	11		RPC: CAGE: U8025 Name: UK MoD	• Locations: - Frame NHA: FIN ELO-Box Pos. on NHA: Mount position: P2	Mountain bicycle and (Mountain storm Mk1 or Brook trekker Mk9)
FT3 PN: GT-004-WD	11		RPC: CAGE: U8025 Name: UK MoD	• Locations: - Frame NHA: FIN ELO-Box Pos. on NHA: Mount position: P3	Mountain bicycle and (Mountain storm Mk1 or Brook trekker Mk9)

This is a draft copy of Issue 000-01  
Printed 2021-09-27 12:56

Produced by Docuneering Ltd using the S1000D - Publication Builder

Applicable to: Mountain bicycle  
and (Mountain storm Mk1 or  
Brook trekker Mk9)

**S1000DLIGHTING-AAA-D00-00-00-00AA-056A-A**  
**End of data module**

UNCLASSIFIED

2012-12-31 Page 3

Intentionally left blank.

## Wiring

### Wire list

#### Table of contents

	Page
Wire list .....	1
References .....	1
Wiring data .....	1

#### List of tables

1	References .....	1
---	------------------	---

### References

*Table 1 References*

Data module / Technical publication	Title
None	

### Wiring data

Ident	Connection		Information	Applicability
	From	To		
FL1AA  State: Active	FIN: L1 Contact: + Wire conn. code: Electrical potential: Contact order: 1 NA code: 01	FIN: VV1 Contact: 1 + PN: P2201-P Wire conn. code: Electrical potential: TM grouping: 1 Block grouping: 1 Shunt grouping: 1 Contact order: 1 NA code: 03	Wire code: Wire type: AP Wire guages: - 010 (proj) PN: W2201-K Harn. id: Lamp1 Wire seq. no.: 1 Circuit: 234 Section: 567 Twists: - Lamp1 Twisting type: 1 Length: 1000 Wire color: red U8025 Routing: Feed-throughs: FIN: FT3 Hole id: 1	Mountain bicycle and (Mountain storm Mk1 or Brook trekker Mk9)

Applicable to: Mountain bicycle  
and (Mountain storm Mk1 or  
Brook trekker Mk9)

**S1000DLIGHTING-AAA-D00-00-00-00AA-057A-A**

(Continued)

Ident	Connection		Information	Applicability
	From	To		
FL2AA State: Active	FIN: L1 Contact: - Wire conn. code: Electrical potential: Contact order: 2 NA code: 01	FIN: VV1 Contact: 1 - Wire conn. code: Electrical potential: TM grouping: 1 Block grouping: 1 Shunt grouping: 2 Contact order: 5 NA code: 03	Wire code: Wire type: AP Wire guages: - 010 (proj) PN: 23-4567 Harn. id: Lamp1 Wire seq. no.: 2 Twists: - Lamp1 Twisting type: 1 Length: 1000 Wire color: blue U8025 Routing: Feed-throughs: FIN: FT3 Hole id: 2	Mountain bicycle and (Mountain storm Mk1 or Brook trekker Mk9)
NC1VI State: Not active	FIN: VV1 Contact: 4 + Wire conn. code: Electrical potential: TM grouping: 1 Block grouping: 1 Shunt grouping: 1 Contact order: 4 NA code: 03			Mountain bicycle and (Mountain storm Mk1 or Brook trekker Mk9)
RL1AA State: Active	FIN: L2 Contact: + Wire conn. code: Electrical potential: Contact order: 1 NA code: 01	FIN: VV1 Contact: 2 + PN: P2201-P Wire conn. code: Electrical potential: TM grouping: 1 Block grouping: 1 Shunt grouping: 1 Contact order: 2 NA code: 03	Wire code: Wire type: AP Wire guages: - 010 (proj) Harn. id: Lamp2 Wire seq. no.: 1 Circuit: 134 Section: 467 Twists: - Lamp2 Twisting type: 1 Length: 1500 Wire color: red U8025 Routing: Feed-throughs: FIN: FT3 Hole id: 3	Mountain bicycle and (Mountain storm Mk1 or Brook trekker Mk9)

(Continued)

Ident	Connection		Information	Applicability
	From	To		
RL2AA State: Active	FIN: L2 Contact: - Wire conn. code: Electrical potential: Contact order: 2 NA code: 01	FIN: VV1 Contact: 2 - PN: P2201-M Wire conn. code: Electrical potential: TM grouping: 1 Block grouping: 1 Shunt grouping: 2 Contact order: 6 NA code: 03	Wire code: Wire type: AP Wire guages: - 010 (proj) Harn. id: Lamp2 Wire seq. no.: 2 Twists: - Lamp2 Twisting type: 1 Length: 1500 Wire color: blue U8025 Routing: Feed-throughs: FIN: FT3 Hole id: 4	Mountain bicycle and (Mountain storm Mk1 or Brook trekker Mk9)
GE2AA State: Active	FIN: Gen Contact: GND Wire conn. code: Electrical potential: Contact order: 2 Potential conn. order: 1 NA code: 01 Group code: G1-	FIN: VV1 Contact: 3 - PN: P2201-M Wire conn. code: Electrical potential: TM grouping: 1 Block grouping: 1 Shunt grouping: 2 Contact order: 7 NA code: 03	Wire code: Wire type: AP Wire guages: - 010 (proj) Wire seq. no.: 2 Length: 500 U8025 Routing: Feed-throughs: FIN: FT2 Hole id: 2	Mountain bicycle and (Mountain storm Mk1 or Brook trekker Mk9)
BT2AA Context: PN- AC-12561 MFG: F0001 Origin: Manufacturer State: Active	FIN: Batt Contact: - Install direct: A Wire conn. code: Electrical potential: Contact order: 2 NA code: 01	FIN: C_Batt Contact: - Install direct: B Wire conn. code: Electrical potential: Contact order: 2 NA code: 02	Wire code: Wire type: AP Wire guages: - 010 (proj) Harn. id: Batt_01 Context: PN- AC-12561 MFG: F0001 Origin: Manufacturer Wire seq. no.: 2 Twists: - Batt Twisting type: 1 Length: 400 [critical] Wire color: black U8025 NHA: FIN ELO-Box	Mountain bicycle and (Mountain storm Mk1 or Brook trekker Mk9)

This is a draft copy of Issue 000-01  
 Printed 2021-09-27 12:56

Produced by Docuneering Ltd using the S1000D - Publication Builder

Applicable to: Mountain bicycle  
 and (Mountain storm Mk1 or  
 Brook trekker Mk9)

S1000DLIGHTING-AAA-D00-00-00-00AA-057A-A

(Continued)

Ident	Connection		Information	Applicability
	From	To		
GE1AA State: Active	FIN: Gen Wire conn. code: Electrical potential: Contact order: 1 Potential conn. order: 1 NA code: 01 Group code: G1+	FIN: Rel Contact: 2 Function: Generator mode Wire conn. code: Electrical potential: Block grouping: 2 Shunt grouping: 2 Contact order: 102 NA code: 04	Wire code: Wire type: AP Wire guages: - 010 (proj) Wire seq. no.: 1 Length: 500 U8025 Routing: Feed-throughs: FIN: FT2 Hole id: 1	Mountain bicycle and (Mountain storm Mk1 or Brook trekker Mk9)
GE3AA State: Active	FIN: Gen Wire conn. code: Electrical potential: Contact order: 1 Potential conn. order: 2 NA code: 01 Group code: G2+	FIN: Diode Contact: A Wire conn. code: Electrical potential: Block grouping: 1 Shunt grouping: 1 Contact order: 1 NA code: 04	Wire code: Wire type: AP Wire guages: - 010 (proj) Wire seq. no.: 3 Length: 500 U8025 Routing: Feed-throughs: FIN: FT2 Hole id: 3	Mountain bicycle and (Mountain storm Mk1 or Brook trekker Mk9)
GE3AB State: Active	FIN: Gen Wire conn. code: Electrical potential: Contact order: 1 Potential conn. order: 3 NA code: 01 Group code: G2+	FIN: Diode Contact: A Wire conn. code: Electrical potential: Block grouping: 1 Shunt grouping: 1 Contact order: 1 NA code: 04	Wire code: Wire type: AP Wire guages: - 010 (proj) Wire seq. no.: 3 Length: 500 U8025 Routing: Feed-throughs: FIN: FT2 Hole id: 4	Mountain bicycle and (Mountain storm Mk1 or Brook trekker Mk9)
BT1AA Context: PN-AC-12561 MFG: F0001 Origin: Manufacturer State: Active	FIN: Batt Contact: + Install direct: A Wire conn. code: Electrical potential: Contact order: 1 NA code: 01	FIN: C_Batt Contact: + Install direct: B Wire conn. code: Electrical potential: Contact order: 1 NA code: 02	Wire code: Wire type: AP Wire guages: - 010 (proj) Harn. id: Batt_01 Context: PN-AC-12561 MFG: F0001 Origin: Manufacturer Wire seq. no.: 1 Twists: - Batt Twisting type: 1	Mountain bicycle and (Mountain storm Mk1 or Brook trekker Mk9)

S1000DLIGHTING-AAA-D00-00-00-00AA-057A-A

Applicable to: Mountain bicycle and (Mountain storm Mk1 or Brook trekker Mk9)

(Continued)

Ident	Connection		Information	Applicability
	From	To		
			Length: 400 [critical] Wire color: red U8025 NHA: FIN ELO-Box	
BA1AA State: Active	FIN: C_Bike Contact: + Wire conn. code: Electrical potential: Contact order: 1 NA code: 02	FIN: S1 Contact: Batt Wire conn. code: Electrical potential: Block grouping: 1 Shunt grouping: 1 Contact order: 1 NA code: 04	Wire code: Wire type: AP Wire guages: - 010 (proj) Wire seq. no.: 1 Length: 1200 U8025 Routing: Feed-throughs: FIN: FT1 Hole id: 1 NHA: FIN ELO-Box	Mountain bicycle and (Mountain storm Mk1 or Brook trekker Mk9)
BA1AB State: Active	FIN: S1 Contact: ON Wire conn. code: Electrical potential: Block grouping: 1 Shunt grouping: 1 Contact order: 102 NA code: 04	FIN: Rel Contact: 3 Function: Battery mode Wire conn. code: Electrical potential: Block grouping: 2 Shunt grouping: 1 Contact order: 103 NA code: 04	Wire code: Wire type: AP Wire guages: - 010 (proj) Wire seq. no.: 1 Length: 1000 U8025 Routing: Feed-throughs: FIN: FT1 Hole id: 2 NHA: FIN ELO-Box	Mountain bicycle and (Mountain storm Mk1 or Brook trekker Mk9)
BA2AA State: Active	FIN: C_Bike Contact: - Wire conn. code: Electrical potential: Contact order: 2 NA code: 02	FIN: VV1 Contact: 4 - PN: P2201-M Wire conn. code: Electrical potential: TM grouping: 1 Block grouping: 1 Shunt grouping: 2 Contact order: 8 NA code: 03	Wire code: Wire type: AP Wire guages: - 010 (proj) Wire seq. no.: 2 Length: 200 U8025 NHA: FIN ELO-Box	Mountain bicycle and (Mountain storm Mk1 or Brook trekker Mk9)
LL1AA State: Active	FIN: Rel Contact: 1 Wire conn. code: Electrical potential: Block grouping: 2 Shunt grouping: 1 Contact order: 1 NA code: 04	FIN: VV1 Contact: 3 + PN: P2201-P Wire conn. code: Electrical potential: TM grouping: 1 Block grouping: 1 Shunt grouping: 1	Wire code: Wire type: AP Wire guages: - 010 (proj) Wire seq. no.: 1 Length: 500 U8025 NHA: FIN ELO-Box	Mountain bicycle and (Mountain storm Mk1 or Brook trekker Mk9)

This is a draft copy of Issue 000-01  
Printed 2021-09-27 12:56

Produced by Docuneering Ltd using the S1000D - Publication Builder

Applicable to: Mountain bicycle  
and (Mountain storm Mk1 or  
Brook trekker Mk9)

S1000DLIGHTING-AAA-D00-00-00-00AA-057A-A

(Continued)

Ident	Connection		Information	Applicability
	From	To		
		Contact order: 3 NA code: 03		
GE4AA State: Active	FIN: Gen Contact: GND Wire conn. code: Electrical potential: Contact order: 2 Potential conn. order: 2 NA code: 01 Group code: G1-	FIN: Rel Wire conn. code: Electrical potential: Block grouping: 1 Shunt grouping: 1 Contact order: 1 NA code: 04	Wire code: Wire type: AP Wire gauges: - 010 (proj) Wire seq. no.: 4 Length: 500 U8025 Routing: Feed-throughs: FIN: FT2 Hole id: 4	Mountain bicycle and (Mountain storm Mk1 or Brook trekker Mk9)
GE5AA State: Logconn	FIN: Diode Contact: K Wire conn. code: Electrical potential: Block grouping: 1 Shunt grouping: 1 Contact order: 2 NA code: 04	FIN: Rel Wire conn. code: Electrical potential: Block grouping: 1 Shunt grouping: 1 Contact order: 2 Potential conn. order: 1 NA code: 04 Group code: R1		Mountain bicycle and (Mountain storm Mk1 or Brook trekker Mk9)
GE5AB State: Logconn	FIN: Diode Contact: K Wire conn. code: Electrical potential: Block grouping: 1 Shunt grouping: 1 Contact order: 2 NA code: 04	FIN: Rel Wire conn. code: Electrical potential: Block grouping: 1 Shunt grouping: 1 Contact order: 2 Potential conn. order: 2 NA code: 04 Group code: R1		Mountain bicycle and (Mountain storm Mk1 or Brook trekker Mk9)
T001 State: Active	FIN: T01 Contact: 1 Wire conn. code: Screen order: 2 Electrical potential: Contact order: 1 NA code: 01 Screens: - Type: 01, Lvl: 00, Sty: 00	FIN: Sensor Contact: A Wire conn. code: Screen order: 2 Electrical potential: Contact order: 1 NA code: 01 Screens: - Type: 01, Lvl: 00, Sty: 00	Wire code: Wire type: XY Wire gauges: - 010 (proj) Harn. id: Tacho Wire seq. no.: 001 Screens: - SCT1 Twists: - Tacho Twisting type: 1 Length: 1200 Wire color: yellow	Mountain bicycle and (Mountain storm Mk1 or Brook trekker Mk9)

S1000DLIGHTING-AAA-D00-00-00-00AA-057A-A

Applicable to: Mountain bicycle  
and (Mountain storm Mk1 or  
Brook trekker Mk9)



(Continued)

Ident	Connection		Information	Applicability
	From	To		
			U8025	
T002 State: Active	FIN: T01 Contact: 2 Wire conn. code: Screen order: 3 Electrical potential: Contact order: 2 NA code: 01 Screens: - Type: 01, Lvl: 00, Sty: 00	FIN: Sensor Contact: B Wire conn. code: Screen order: 3 Electrical potential: Contact order: 2 NA code: 01 Screens: - Type: 01, Lvl: 00, Sty: 00	Wire code: Wire type: XY Wire gauges: - 010 (proj) Harn. id: Tacho Wire seq. no.: 002 Screens: - SCT1 Twists: - Tacho Twisting type: 1 Length: 1200 Wire color: green U8025	Mountain bicycle and (Mountain storm Mk1 or Brook trekker Mk9)
ND1 State: Logconn	FIN: T01 Wire conn. code: Screen order: 1 Spec. conn.: 100 Electrical potential: Contact order: 0 NA code: 01 Screens: - Type: 03, Lvl: 01, Sty: 01	FIN: T01 Wire conn. code: Screen order: 1 Electrical potential: Contact order: 0 NA code: 01 Screens: - SCT1 Type: 03, Lvl: 01, Sty: 01		Mountain bicycle and (Mountain storm Mk1 or Brook trekker Mk9)
ND2 State: Logconn	FIN: Sensor Wire conn. code: Screen order: 1 Spec. conn.: 100 Electrical potential: Contact order: 0 NA code: 01 Screens: - Type: 03, Lvl: 01, Sty: 01	FIN: Sensor Wire conn. code: Screen order: 1 Electrical potential: Contact order: 0 NA code: 01 Screens: - SCT1 Type: 03, Lvl: 01, Sty: 01		Mountain bicycle and (Mountain storm Mk1 or Brook trekker Mk9)

This is a draft copy of issue 000-01  
Printed 2021-09-27 12:56

Produced by Docuneering Ltd using the S1000D - Publication Builder

Intentionally left blank.

## Wiring

### Loom list

#### Table of contents

	Page
Loom list .....	1
References .....	1
Wiring data .....	1

#### List of tables

1	References .....	1
---	------------------	---

### References

Table 1 References

Data module / Technical publication	Title
None	

### Wiring data

Ident	Information	Routing	RPC	Applicability
Batt_01	Battery_123 Context: PN-AC-12561 MFG: F0001 Origin: Manufacturer	Harn. var.: 123 Harn. iss.: A Harn. name: Battery harness EMC: LS1 Max temp.: 500 degF High vibr. env.: Yes Hydr. env.: Yes Sleeves: - PN: SPN1234 Material: Teflon	CAGE: U8025 Name: UK MoD	Mountain bicycle and (Mountain storm Mk1 or Brook trekker Mk9)
Tacho	Tachometer_101 Harn. var.: 101 Harn. iss.: A Harn. name: Tachometer harness EMC: LS2 Min temp.: -10 degC Max temp.: 60 degC High vibr. env.: Yes Sleeves:		CAGE: U8025 Name: UK MoD	Mountain bicycle and (Mountain storm Mk1 or Brook trekker Mk9)

Applicable to: Mountain bicycle  
and (Mountain storm Mk1 or  
Brook trekker Mk9)

S1000DLIGHTING-AAA-D00-00-00-00AA-058A-A

(Continued)

Ident	Information	Routing	RPC	Applicability
Lamp1	- Material: Silicon Front light_501 Harn. var.: 501 Harn. iss.: A Harn. name: Front light harness EMC: LS3 Min temp.: -10 degC Sleeves: - PN: SPN1234 - PN: SPN4321		CAGE: U8025 Name: UK MoD	Mountain bicycle and (Mountain storm Mk1 or Brook trekker Mk9)
Lamp2	Rear light_503 Harn. var.: 503 Harn. iss.: A Harn. name: Rear light harness EMC: LS3 Hydr. env.: Yes		CAGE: U8025 Name: UK MoD	Mountain bicycle and (Mountain storm Mk1 or Brook trekker Mk9)

## Lighting

### *Functional and/or physical areas repository*

#### Table of contents

	Page
Functional and/or physical areas repository .....	1
References .....	1
Functional and/or physical areas repository .....	1

#### List of tables

1	References .....	1
---	------------------	---

### *References*

*Table 1 References*

Data module / Technical publication	Title
None	

### *Functional and/or physical areas repository*

- 1      AAA-D00**

Functional physical area:..... AAA-D00

Short name:..... Mountain bicycle

References:..... [AAA-D00-0](#)
- 2      AAA-D00-0**

Functional physical area:..... AAA-D00-0

Short name:..... Mountain bicycle - General

References:..... [AAA-D00-00](#)
- 3      AAA-D00-00**

Functional physical area:..... AAA-D00-00

Short name:..... Mountain bicycle - General

References:..... [AAA-D00-00-00](#)

---

**4 AAA-D00-00-00**

Functional physical area:.....AAA-D00-00-00  
Short name:.....Mountain bicycle - General

**5 AAA-D05**

Functional physical area:.....AAA-D05  
Short name:.....Bicycle  
References:.....[AAA-D05-0](#)  
[AAA-D05-1](#)  
[AAA-D05-2](#)  
[AAA-D05-4](#)

**6 AAA-D05-0**

Functional physical area:.....AAA-D05-0  
Short name:.....Bicycle - General  
References:.....[AAA-D05-00](#)

**7 AAA-D05-00**

Functional physical area:.....AAA-D05-00  
Short name:.....Bicycle - General  
References:.....[AAA-D05-00-00](#)

**8 AAA-D05-00-00**

Functional physical area:.....AAA-D05-00-00  
Short name:.....Bicycle - General

**9 AAA-D05-1**

Functional physical area:.....AAA-D05-1  
Short name:.....TBD  
References:.....[AAA-D05-10](#)

**10 AAA-D05-10**

Functional physical area:.....AAA-D05-10  
Short name:.....TBD - General  
References:.....[AAA-D05-10-00](#)

**11 AAA-D05-10-00**

Functional physical area:.....AAA-D05-10-00  
Short name:.....TBD - General

**12 AAA-D05-2**

Functional physical area:.....AAA-D05-2  
Short name:..... TBD1  
References:.....[AAA-D05-20](#)

**13 AAA-D05-20**

Functional physical area:.....AAA-D05-20  
Short name:..... TBD1 - General  
References:.....[AAA-D05-20-00](#)

**14 AAA-D05-20-00**

Functional physical area:.....AAA-D05-20-00  
Short name:..... TBD1 - General

**15 AAA-D05-4**

Functional physical area:.....AAA-D05-4  
Short name:..... TBD2  
References:.....[AAA-D05-40](#)

**16 AAA-D05-40**

Functional physical area:.....AAA-D05-40  
Short name:..... TBD2 - General  
References:.....[AAA-D05-40-00](#)

**17 AAA-D05-40-00**

Functional physical area:.....AAA-D05-40-00  
Short name:..... TBD2 - General

**18 AAA-DA0**

Functional physical area:.....AAA-DA0  
Short name:..... Wheel  
References:.....[AAA-DA0-0](#)  
[AAA-DA0-1](#)  
[AAA-DA0-2](#)

**19 AAA-DA0-0**

Functional physical area:.....AAA-DA0-0  
Short name:..... Wheel - General  
References:.....[AAA-DA0-00](#)

This is a draft copy of Issue 000-01  
Printed 2021-09-27 12:56

Produced by Docuneering Ltd using the S1000D - Publication Builder

---

**20 AAA-DA0-00**

Functional physical area:.....AAA-DA0-00  
Short name:.....Wheel - General  
References:.....[AAA-DA0-00-00](#)

**21 AAA-DA0-00-00**

Functional physical area:.....AAA-DA0-00-00  
Short name:.....Wheel - General

**22 AAA-DA0-1**

Functional physical area:.....AAA-DA0-1  
Short name:.....Inner tube  
References:.....[AAA-DA0-10](#)

**23 AAA-DA0-10**

Functional physical area:.....AAA-DA0-10  
Short name:.....Inner tube - General  
References:.....[AAA-DA0-10-00](#)  
[AAA-DA0-10-10](#)  
[AAA-DA0-10-20](#)

**24 AAA-DA0-10-00**

Functional physical area:.....AAA-DA0-10-00  
Short name:.....Inner tube - General

**25 AAA-DA0-10-10**

Functional physical area:.....AAA-DA0-10-10  
Short name:.....Inner tube

**26 AAA-DA0-10-20**

Functional physical area:.....AAA-DA0-10-20  
Short name:.....Tire

**27 AAA-DA0-2**

Functional physical area:.....AAA-DA0-2  
Short name:.....Rear wheel  
References:.....[AAA-DA0-20](#)



**28 AAA-DA0-20**

Functional physical area:.....AAA-DA0-20  
Short name:.....Rear wheel - General  
References:.....[AAA-DA0-20-00](#)

**29 AAA-DA0-20-00**

Functional physical area:.....AAA-DA0-20-00  
Short name:.....Rear wheel - General

**30 AAA-DA1**

Functional physical area:.....AAA-DA1  
Short name:.....Brake system  
References:.....[AAA-DA1-0](#)  
[AAA-DA1-1](#)

**31 AAA-DA1-0**

Functional physical area:.....AAA-DA1-0  
Short name:.....Brake system - General  
References:.....[AAA-DA1-00](#)

**32 AAA-DA1-00**

Functional physical area:.....AAA-DA1-00  
Short name:.....Brake system - General  
References:.....[AAA-DA1-00-00](#)

**33 AAA-DA1-00-00**

Functional physical area:.....AAA-DA1-00-00  
Short name:.....Brake system - General

**34 AAA-DA1-1**

Functional physical area:.....AAA-DA1-1  
Short name:.....Brake pads  
References:.....[AAA-DA1-10](#)

**35 AAA-DA1-10**

Functional physical area:.....AAA-DA1-10  
Short name:.....Brake pads - General  
References:.....[AAA-DA1-10-00](#)

This is a draft copy of Issue 000-01  
Printed 2021-09-27 12:56

Produced by Docuneering Ltd using the S1000D - Publication Builder

---

**36 AAA-DA1-10-00**

Functional physical area:.....AAA-DA1-10-00  
Short name:..... Brake pads - General

**37 AAA-DA2**

Functional physical area:.....AAA-DA2  
Short name:..... Steering  
References:.....[AAA-DA2-0](#)  
[AAA-DA2-1](#)  
[AAA-DA2-2](#)  
[AAA-DA2-3](#)

**38 AAA-DA2-0**

Functional physical area:.....AAA-DA2-0  
Short name:..... Steering - General  
References:.....[AAA-DA2-00](#)

**39 AAA-DA2-00**

Functional physical area:.....AAA-DA2-00  
Short name:..... Steering - General  
References:.....[AAA-DA2-00-00](#)

**40 AAA-DA2-00-00**

Functional physical area:.....AAA-DA2-00-00  
Short name:..... Steering - General

**41 AAA-DA2-1**

Functional physical area:.....AAA-DA2-1  
Short name:..... Stem  
References:.....[AAA-DA2-10](#)

**42 AAA-DA2-10**

Functional physical area:.....AAA-DA2-10  
Short name:..... Stem - General  
References:.....[AAA-DA2-10-00](#)

**43 AAA-DA2-10-00**

Functional physical area:.....AAA-DA2-10-00  
Short name:..... Stem - General

**44 AAA-DA2-2**

Functional physical area:..... AAA-DA2-2  
Short name:..... Handlebar  
References:..... [AAA-DA2-20](#)

**45 AAA-DA2-20**

Functional physical area:..... AAA-DA2-20  
Short name:..... Handlebar - General  
References:..... [AAA-DA2-20-00](#)

**46 AAA-DA2-20-00**

Functional physical area:..... AAA-DA2-20-00  
Short name:..... Handlebar - General

**47 AAA-DA2-3**

Functional physical area:..... AAA-DA2-3  
Short name:..... Headset  
References:..... [AAA-DA2-30](#)

**48 AAA-DA2-30**

Functional physical area:..... AAA-DA2-30  
Short name:..... Headset - General  
References:..... [AAA-DA2-30-00](#)

**49 AAA-DA2-30-00**

Functional physical area:..... AAA-DA2-30-00  
Short name:..... Headset - General

**50 AAA-DA3**

Functional physical area:..... AAA-DA3  
Short name:..... Frame  
References:..... [AAA-DA3-0](#)  
[AAA-DA3-1](#)

**51 AAA-DA3-0**

Functional physical area:..... AAA-DA3-0  
Short name:..... Frame - General  
References:..... [AAA-DA3-00](#)

This is a draft copy of Issue 000-01  
Printed 2021-09-27 12:56

Produced by Docuneering Ltd using the S1000D - Publication Builder

---

**52 AAA-DA3-00**

Functional physical area:.....AAA-DA3-00  
Short name:.....Frame - General  
References:.....[AAA-DA3-00-00](#)

**53 AAA-DA3-00-00**

Functional physical area:.....AAA-DA3-00-00  
Short name:.....Frame - General

**54 AAA-DA3-1**

Functional physical area:.....AAA-DA3-1  
Short name:.....Horn  
References:.....[AAA-DA3-10](#)

**55 AAA-DA3-10**

Functional physical area:.....AAA-DA3-10  
Short name:.....Horn - General  
References:.....[AAA-DA3-10-00](#)

**56 AAA-DA3-10-00**

Functional physical area:.....AAA-DA3-10-00  
Short name:.....Horn - General

**57 AAA-DA4**

Functional physical area:.....AAA-DA4  
Short name:.....Drivetrain  
References:.....[AAA-DA4-0](#)  
[AAA-DA4-1](#)

**58 AAA-DA4-0**

Functional physical area:.....AAA-DA4-0  
Short name:.....Drivetrain - General  
References:.....[AAA-DA4-00](#)

**59 AAA-DA4-00**

Functional physical area:.....AAA-DA4-00  
Short name:.....Drivetrain - General  
References:.....[AAA-DA4-00-00](#)

**60 AAA-DA4-00-00**

Functional physical area:..... AAA-DA4-00-00  
Short name:..... Drivetrain - General

**61 AAA-DA4-1**

Functional physical area:..... AAA-DA4-1  
Short name:..... Chain  
References:..... [AAA-DA4-10](#)

**62 AAA-DA4-10**

Functional physical area:..... AAA-DA4-10  
Short name:..... Chain - General  
References:..... [AAA-DA4-10-00](#)

**63 AAA-DA4-10-00**

Functional physical area:..... AAA-DA4-10-00  
Short name:..... Chain - General

**64 AAA-DA5**

Functional physical area:..... AAA-DA5  
Short name:..... Gears  
References:..... [AAA-DA5-0](#)  
[AAA-DA5-1](#)

**65 AAA-DA5-0**

Functional physical area:..... AAA-DA5-0  
Short name:..... Gears - General  
References:..... [AAA-DA5-00](#)

**66 AAA-DA5-00**

Functional physical area:..... AAA-DA5-00  
Short name:..... Gears - General  
References:..... [AAA-DA5-00-00](#)

**67 AAA-DA5-00-00**

Functional physical area:..... AAA-DA5-00-00  
Short name:..... Gears - General

This is a draft copy of Issue 000-01  
Printed 2021-09-27 12:56

Produced by Docuneering Ltd using the S1000D - Publication Builder

---

**68 AAA-DA5-1**

Functional physical area:.....AAA-DA5-1  
Short name:.....Mechs  
References:.....[AAA-DA5-10](#)

**69 AAA-DA5-10**

Functional physical area:.....AAA-DA5-10  
Short name:.....Mechs - General  
References:.....[AAA-DA5-10-00](#)

**70 AAA-DA5-10-00**

Functional physical area:.....AAA-DA5-10-00  
Short name:.....Mechs - General

**71 AAA-DA5-2**

Functional physical area:.....AAA-DA5-2  
Short name:.....Hubs  
References:.....[AAA-DA5-20](#)

**72 AAA-DA5-20**

Functional physical area:.....AAA-DA5-20  
Short name:.....Hubs - General  
References:.....[AAA-DA5-20-00](#)

**73 AAA-DA5-20-00**

Functional physical area:.....AAA-DA5-20-00  
Short name:.....Hubs - General

**74 AAA-DA5-3**

Functional physical area:.....AAA-DA5-3  
Short name:.....Shifters  
References:.....[AAA-DA5-30](#)

**75 AAA-DA5-30**

Functional physical area:.....AAA-DA5-30  
Short name:.....Shifters - General  
References:.....[AAA-DA5-30-00](#)

---

**76      AAA-DA5-30-00**

Functional physical area:.....AAA-DA5-30-00

Short name:..... Shifters - General

This is a draft copy of Issue 000-01  
Printed 2021-09-27 12:56

Produced by Docuneering Ltd using the S1000D - Publication Builder

Intentionally left blank.



## Lighting

### *Applicability common information repository*

#### Table of contents

	Page
Applicability common information repository .....	1
References .....	1
Applicability annotations repository .....	1

#### List of tables

1	References .....	1
---	------------------	---

### *References*

*Table 1 References*

Data module / Technical publication	Title
None	

### *Applicability annotations repository*

- 1      app-00000000AA022A-0000**

Applicability identifier:..... app-00000000AA022A-0000

Display text:..... Mountain bicycle and (Mountain storm Mk1 or Brook trekker Mk9)
- 2      app-00000000AA029A-0000**

Applicability identifier:..... app-00000000AA029A-0000

Display text:..... Mountain bicycle and (Mountain storm Mk1 or Brook trekker Mk9)
- 3      app-00000000AA040A-0000**

Applicability identifier:..... app-00000000AA040A-0000

Display text:..... Mountain bicycle and (Mountain storm Mk1 or Brook trekker Mk9)

**4 app-00000000AA056A-0000**

Applicability identifier:..... app-00000000AA056A-0000  
Display text:..... Mountain bicycle and (Mountain storm Mk1 or Brook trekker Mk9)

**5 app-00000000AA056A-0001**

Applicability identifier:..... app-00000000AA056A-0001  
Display text:..... Mountain bicycle and (Mountain storm Mk1 or Brook trekker Mk9)

**6 app-00000000AA057A-0000**

Applicability identifier:..... app-00000000AA057A-0000  
Display text:..... Mountain bicycle and (Mountain storm Mk1 or Brook trekker Mk9)

**7 app-00000000AA057A-0001**

Applicability identifier:..... app-00000000AA057A-0001  
Display text:..... Mountain bicycle and (Mountain storm Mk1 or Brook trekker Mk9)

**8 app-00000000AA058A-0000**

Applicability identifier:..... app-00000000AA058A-0000  
Display text:..... Mountain bicycle and (Mountain storm Mk1 or Brook trekker Mk9)

**9 app-00000000AA058A-0001**

Applicability identifier:..... app-00000000AA058A-0001  
Display text:..... Mountain bicycle and (Mountain storm Mk1 or Brook trekker Mk9)

**10 app-00000000AA341A-0000**

Applicability identifier:..... app-00000000AA341A-0000  
Display text:..... Mountain bicycle and (Mountain storm Mk1 or Brook trekker Mk9)

**11 app-00000000AA413A-0000**

Applicability identifier:..... app-00000000AA413A-0000  
Display text:..... Mountain bicycle and (Mountain storm Mk1 or Brook trekker Mk9)

**12 app-00000000AA700A-0000**

Applicability identifier:..... app-00000000AA700A-0000

Display text:..... Mountain bicycle and (Mountain storm Mk1 or Brook trekker Mk9)

**13 app-00000000AA921A-0000**

Applicability identifier:..... app-00000000AA921A-0000

Display text:..... Mountain bicycle and (Mountain storm Mk1 or Brook trekker Mk9)

**14 app-00000000AA941A-0000**

Applicability identifier:..... app-00000000AA941A-0000

Display text:..... Mountain bicycle and (Mountain storm Mk1 or Brook trekker Mk9)

This is a draft copy of Issue 000-01  
Printed 2021-09-27 12:56

Produced by Docuneering Ltd using the S1000D - Publication Builder

Intentionally left blank.

## Lights

### Manual test

#### Table of contents

	Page
Manual test .....	1
References .....	1
Preliminary requirements .....	1
Procedure .....	2
Requirements after job completion .....	2

#### List of tables

1	References .....	1
2	Required conditions .....	1
3	Required persons .....	1
4	Support equipment .....	2
5	Consumables, materials and expendables .....	2
6	Spares .....	2
7	Required conditions .....	2

### References

Table 1 References

Data module / Technical publication	Title
None	

### Preliminary requirements

#### Required conditions

Table 2 Required conditions

Action / Condition	Data module / Technical publication
None	

#### Required persons

Table 3 Required persons

Persons	Category	Skill level	Trade/Trade code	Estimated time
Man A	Basic user		Operator	0,3 h

Applicable to: Mountain bicycle  
and (Mountain storm Mk1 or  
Brook trekker Mk9)

S1000DLIGHTING-AAA-D00-00-00-00AA-341A-A

## Support equipment

*Table 4 Support equipment*

Name	Manufacturer / Part No.	Quantity	Remark
None			

## Consumables, materials and expendables

*Table 5 Consumables, materials and expendables*

Name	Manufacturer / Part No.	Quantity	Remark
None			

## Spares

*Table 6 Spares*

Name	Manufacturer / Part No.	Quantity	Remark
None			

## Safety conditions

None

### ***Procedure***

- 1 Set the lights to on.
- 2 Make sure that all the lights operate correctly.

### ***Requirements after job completion***

## Required conditions

*Table 7 Required conditions*

Action / Condition	Data module / Technical publication
None	

## Lights

### Observed fault

#### Table of contents

	Page
Observed fault .....	1
References .....	1
Fault reporting .....	1
Preliminary requirements .....	1

#### List of tables

1	References .....	1
2	Required conditions .....	1
3	Support equipment .....	1
4	Consumables, materials and expendables .....	2
5	Spares .....	2

### References

Table 1 References

Data module / Technical publication	Title
S1000DLIGHTING-AAA-D00-00-00-00AA-341A-A	Lights – Manual test
S1000DLIGHTING-AAA-D00-00-00-00AA-921A-A	Lighting – Remove and install a new item

### Fault reporting

#### Preliminary requirements

#### Required conditions

Table 2 Required conditions

Action / Condition	Data module / Technical publication
None	

#### Support equipment

Table 3 Support equipment

Name	Manufacturer / Part No.	Quantity	Remark
None			

Applicable to: Mountain bicycle  
and (Mountain storm Mk1 or  
Brook trekker Mk9)

S1000DLIGHTING-AAA-D00-00-00-00AA-413A-A

## Consumables, materials and expendables

*Table 4 Consumables, materials and expendables*

Name	Manufacturer / Part No.	Quantity	Remark
None			

## Spares

*Table 5 Spares*

Name	Manufacturer / Part No.	Quantity	Remark
None			

## Safety conditions



## Fault code

NYCJD02



## Fault description

The lights are set to the dim position.

### 1 During use or maintenance

#### 1.1 Fault isolation test – LRU

Line replaceable unit

Nomenclature	Identification
Bulb	MFR: KZ111 /PN: LiRUs-L1-11

#### Fault isolation test performance

Test type:..... Operation  
 Test code:..... O-001

#### Test description

Name:..... Test the bulbs

#### Test parameters

from 1 to 1 Days

Test procedures:..... [S1000DLIGHTING-AAA-D00-00-00-00AA-341A-A](#)

Repair procedures:..... [S1000DLIGHTING-AAA-D00-00-00-00AA-921A-A](#)

## Remarks

This is the data module you would visit when you notice that the lights do not operate correctly.

Intentionally left blank.

## Lighting

### *Assemble, install and connect procedures*

#### Table of contents

	Page
Assemble, install and connect procedures .....	1
References .....	1
Preliminary requirements .....	1
Procedure .....	2
Requirements after job completion .....	3

#### List of tables

1	References .....	1
2	Required conditions .....	1
3	Support equipment .....	2
4	Consumables, materials and expendables .....	2
5	Spares .....	2
6	Required conditions .....	3

### *References*

*Table 1 References*

Data module / Technical publication	Title
S1000DLIGHTING-AAA-D00-00-00-01AA-941A-D	–
S1000DLIGHTING-AAA-D00-00-00-00AA-921A-A	Lighting – Remove and install a new item

### *Preliminary requirements*

#### Production maintenance data

Zone	200
	300

#### Required conditions

*Table 2 Required conditions*

Action / Condition	Data module / Technical publication
Bike is stationary	

Applicable to: Mountain bicycle  
and (Mountain storm Mk1 or  
Brook trekker Mk9)

**S1000DLIGHTING-AAA-D00-00-00-00AA-700A-A**

## Support equipment

Table 3 Support equipment

Name	Manufacturer / Part No.	Quantity	Remark
	MFR: KZ666 /PN: BSK-TLST-001	1 EA	

## Consumables, materials and expendables

Table 4 Consumables, materials and expendables

Name	Manufacturer / Part No.	Quantity	Remark
None			

## Spares

Table 5 Spares

Name	Manufacturer / Part No.	Quantity	Remark
None			

## Safety conditions

None

### Procedure

- 1 Impacted zones: [Zone 200](#) and [Zone 300](#)
- 2 S1
- 3 ELO-Box
- 4 Remove the lighting system from the packaging.
- 5 Make sure that the components in the package are the same as those on the [S1000DLIGHTING-AAA-D00-00-00-01AA-941A-D](#)
- 6 Install the light bulb to the front and rear lights (refer to [S1000DLIGHTING-AAA-D00-00-00-00AA-921A-A](#)).
- 7 Attach the front light fitting on the top of the handlebar.
  - 7.1 Apply the protective strip around the handlebar.
  - 7.2 Pull the clamp open and put it around the protective strip with the light connector at the top.
  - 7.3 Install the washer on the screw.

- 
- 7.4 Use the correct screwdriver from the and tighten the screw into the hole at the bottom of the clamp. This safeties the clamp to the handlebar.
  - 8 Attach the rear light fitting to the rear triangle of the bike frame.
  - 8.1 Apply the protective strip around one of the two rear triangle up-tubes.
  - 8.2 Pull the clamp open and put it around the protective strip. Make sure the light connector points rearwards.
  - 8.3 Install the washer on the screw.
  - 8.4 Use the correct screwdriver from the and tighten the screw into the hole at the bottom of the clamp. This safeties the clamp to the tube.
  - 9 Attach the light with the white glass to the front connector.
  - 10 Attach the light with the red glass to the rear connector.

### ***Requirements after job completion***

#### **Required conditions**

*Table 6 Required conditions*

<b>Action / Condition</b>	<b>Data module / Technical publication</b>
None	

Intentionally left blank.

## Lighting

### *Remove and install a new item*

#### Table of contents

	Page
Remove and install a new item .....	1
References .....	1
Preliminary requirements .....	1
Procedure .....	3
Requirements after job completion .....	4

#### List of tables

1	References .....	1
2	Required conditions .....	1
3	Support equipment .....	2
4	Consumables, materials and expendables .....	2
5	Spares .....	2
6	Required conditions .....	4

### *References*

*Table 1 References*

Data module / Technical publication	Title
None	

### *Preliminary requirements*

#### Production maintenance data

<b>Zone</b>	F11	Half front
<b>Work location</b>	on the handlebars	
<b>Zone</b>	R11	Half rear
<b>Work location</b>	under the saddle	

#### Required conditions

*Table 2 Required conditions*

Action / Condition	Data module / Technical publication
Light set to off	
Light removed from bicycle	

Applicable to: Mountain bicycle  
and (Mountain storm Mk1 or  
Brook trekker Mk9)

**S1000DLIGHTING-AAA-D00-00-00-00AA-921A-A**

## Support equipment

Table 3 Support equipment

Name	Manufacturer / Part No.	Quantity	Remark
Special Toolset	578015T01	1 EA	Material set
- Screwdriver	PN: BSK-SCRDV-001	1 EA	

## Consumables, materials and expendables

Table 4 Consumables, materials and expendables

Name	Manufacturer / Part No.	Quantity	Remark
None			

## Spares

Table 5 Spares

Name	Manufacturer / Part No.	Quantity	Remark
Bulb	D00000001A010	2 EA	Discarded
Kit	578015B01	1 EA	Material set
- Bulb	D00000001A020	1 EA	[1]
- Bulb	D00000001A021	1 EA	[1]
Glass	D00000001A022	1 EA	Referenced
Glass	D00000001A023	1 EA	Modified from
- Glass	D00000001A022	1 EA	

1 Make sure that the new bulb is not cracked.

## Safety conditions





**CAUTION**

Do not touch the glass of the bulb.

**CAUTION**

Make sure that the glass is clean before installing it on the light.

***Procedure***

- 1 From location [on the handlebars](#), remove the glass [Glass](#).
- 2 Remove the used front yellow bulb [Bulb](#).
- 3 Discard the used bulb [Bulb](#).
- 4 Remove the new white bulb [Bulb](#) from the kit [Kit](#).
- 5 Install the new white bulb [Bulb](#).
- 6 Install the glass [Glass](#) on the light.
- 7 Attach the light fitting on the handlebar.
- 8 Apply the protective strip around the handlebar.
- 9 Install the washer on the screw.
- 10 Use the special screwdriver [Screwdriver](#) from the toolset [Special Toolset](#) and tighten the screw into the hole at the bottom of the clamp. This safeties the clamp to the handlebar.
- 11 From location [under the saddle](#) Remove the glass [Glass](#).
- 12 Remove the used yellow rear bulb [Bulb](#).
- 13 Discard the used bulb [Bulb](#).
- 14 Remove the new white bulb [Bulb](#) from the kit [Kit](#).
- 15 Install the new white [Bulb](#).
- 16 Drill a 4mm hole in the middle of the glass [Glass](#) in order to allow venting and heat evacuation when the light is switched on.  
  
The glass with the hole may be ordered independently with the reference [Glass](#).

---

17 Install the glass with the hole [Glass](#) on the light.

## ***Requirements after job completion***

### **Required conditions**

*Table 6 Required conditions*

---

<b>Action / Condition</b>	<b>Data module / Technical publication</b>
Switch the lights on if necessary.	

---

# Lights

## *Warning repository*

### Table of contents

	Page
Warning repository .....	1
References .....	1
Warnings repository .....	1

### List of tables

1	References .....	1
---	------------------	---

### *References*

*Table 1 References*

Data module / Technical publication	Title
None	

## *Warnings repository*

### 1 **warning-001**

Warning identifier:..... warning-001



This is a draft copy of Issue 000-01  
Printed 2021-09-27 12:56

Produced by Docuneering Ltd using the S1000D - Publication Builder

---

**2 warning-002**

Warning identifier:..... warning-002



# Light system

## Illustrated Parts Data - IPD

### Table of contents

	Page
Illustrated Parts Data - IPD .....	1
References .....	1

### List of tables

1	References .....	1
---	------------------	---

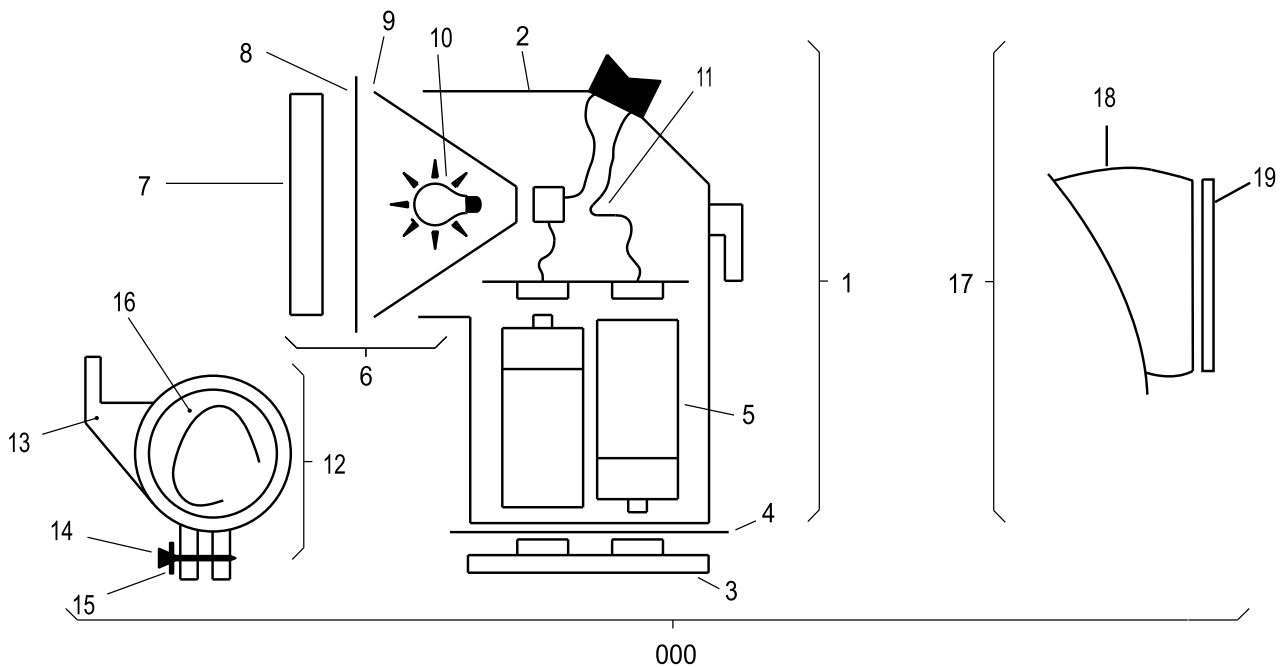
### List of figures

1	Light system .....	1
---	--------------------	---

### References

Table 1 References

Data module / Technical publication	Title
None	



ICN-S1000DBIKE-AAA-D000000-0-U8025-00537-A-04-1  
 Fig 1 Light system

This is a draft copy of issue 000-01  
 Printed 2021-09-27 12:56

Produced by Docuneering Ltd using the S1000D - Publication Builder

## Initial provisioning project information

IPP number: .....KZ7771111  
 IPP subject: .....LIGHT SYSTEM  
 IPP file identifier: .....s

Fig	Item	Units per assembly /Unit of issue	CAGE	Part No. NATO Stock No.	Description	* Usable on code assy • MV/Effect	ICY
1	0	REF	KZ777	LRU1001			
	1	1	KZ777	LRU1010	• FRONT		
	2	1	KZ777	LRU1011	••		
	3	1	KZ777	LRU1012	•••		
	4	1	KZ777	LRU1013	••••		
	5	2	KZ777	LIRUS-L1-10	•••		
	6	1	KZ777	LRU1018	••		
	7	1	KZ777	LRU1019	•••		
	8	1	KZ777	LRU1022	••••		
	9	1	KZ777	LRU1020	•••		
	10	2	KZ777	LIRUS-L1-11	••••		
	11	1	KZ777	LRU1026	••		
	12	1	KZ777	LRU-B001	•		
	13	1	KZ777	LRU-B003	••		
	14	1	KZ777	LRU-B124	••		
	15	1	KZ777	LRU-B556	••		
	16	1	KZ777	LRU-B789	•••		
	17	1	KZ777	LRU2010	•		
	18	1	KZ777	LRU1011	•• REAR		
	19	1	KZ777	LRU2018	••		
	20	1	KZ777	LIRUS-B1-12F	•••		
	21	1	KZ777	LIRUS-B1-12R	•••		
	22	2	KZ777	LIRUS-G1-10	•••		
	23	1	KZ777	LIRUS-G1-10H	•••		

# Lights

## *Caution repository*

### Table of contents

	Page
Caution repository .....	1
References .....	1
Cautions repository .....	1

### List of tables

1	References .....	1
---	------------------	---

### *References*

*Table 1 References*

Data module / Technical publication	Title
None	

### *Cautions repository*

#### **1 caution-001**

Caution identifier:..... caution-001



This is a draft copy of Issue 000-01  
Printed 2021-09-27 12:56

Produced by Docuneering Ltd using the S1000D - Publication Builder

---

**2      caution-002**

Caution identifier:..... caution-002

