

# Mountain bicycle - S1000D Issue 2.0

**S1000DBIKE-X1234-00020-00**

**Issue No. 002(00), 2023-02-01**

Copyright (c) 2023 Docuneering Ltd.

Government License - X1234 001

To be made available to all S1000D users.

Export of this data module to all countries that are the residence of organizations that are users of S1000D is permitted.  
Storage of this data module is to be at the discretion of the organization.

There are no specific handling instructions for this data module.

Users may destroy this data module in accordance with their own local procedures.

There are no dissemination limitations that apply to this data module.

## Responsible partner company

Docuneering Ltd.  
X1234

Intentionally left blank.

## Configuration

### 1 Product configuration

The product configuration shows current, associated, and historical product information for the end item part numbers contained in this publication. The products are listed by PN class, which are defined as follows:

- "PRIME" - The PRIME is the current OEM's top-level part number and MFR code covered by this publication.
- "ALT" - The ALT represents an alternative to the PRIME for the same part. For example, this could be an airframe manufacturer's part number.
- "PREV" - The PREV represents a legacy part number and MFR code to the PRIME for the same part number that may still be supported.
- "OBS" - The OBS represents a part number and MFR code that is no longer supported but is included in this publication for historical reference.

Refer to the "List of suppliers" for MFR information.

*Table 1 Product configuration*

PN class	PN	MFR	Component name	Model
PRIME	123-1111	ZZZZZ	Product Five	
ALT	Z555-ZZZZ-55	ZZZZZ	Product Five	
ALT	R555-RRRR-55	RRRR	Product Five	
PREV	A555-5555-55	AAAAA		Model Five

### 2 Publication configuration

The publication configuration shows active or superseded configuration information about this publication. The publications are listed by Pub class, which are defined as follows:

- "PRIME" - The PRIME represents the active publication.
- "PREV" - The PREV represents the legacy publication to the PRIME publication.

Refer to the "List of suppliers" for MFR information.

*Table 2 Publication configuration*

Pub class	SNS/ATA	MFR	Publication number	Issue/Rev
PRIME	23-10-10	55555	CMMST-ZZZZZ-00001-00	Current
PREV	23-00-10	ZZZZZ		018

Intentionally left blank.

## Copyright statements

### 1 Copyright

Copyright (C) 2022 by DOCUNEERING LTD

### 2 Limitations of liability

This material is provided "As is" and neither Docuneering Ltd nor any person who has contributed to the creation, revision or maintenance of the material makes any representations or warranties, express or implied, including but not limited to, warranties of merchantability or fitness for any particular purpose.

Neither Docuneering Ltd nor any person who has contributed to the creation, revision or maintenance of this material shall be liable for any direct, indirect, special or consequential damages or any other liability arising from any use of this material.

Revisions to this document may occur after its issuance. The user is responsible for determining if revisions to the material contained in this document have occurred and are applicable.

Intentionally left blank.

---

## Administrative and legal statements

### 1 Docuneering Limited Product License Agreement

IMPORTANT - PLEASE READ THIS ENTIRE AGREEMENT CAREFULLY BEFORE USING THIS DOCUMENT.

YOU AGREE TO BE BOUND BY THE TERMS OF, AND BECOME PARTY TO, THIS AGREEMENT. THIS AGREEMENT IS APPLICABLE TO THE ACCOMPANYING MARCHANDISE (THE "MARCHANDISE"), THE INFORMATION RESIDING THEREON OR ON THE INTERNET WEB SITES ACCESSIBLE EXCLUSIVELY VIA LINKS FROM THE MARCHANDISE (THE "CONTENT") AND THE RELATED SOFTWARE (COLLECTIVELY, THE "LICENSED PRODUCT"). IF YOU DO NOT AGREE TO BE BOUND BY THE TERMS OF, AND BECOME PARTY TO, THIS AGREEMENT, YOU CANNOT USE ANY PART OF THIS DOCUMENT AND CANNOT SHARE IT WITH OR FORWARD IT TO ANY OTHER PERSON OR ENTITY.

### 2 Important information

The Product contains specifications, practices and other information relating to the covered topics. Docuneering Ltd does not mandate the use of all or any part of the Licensed Product and your decision to use the Licensed Product is entirely voluntary, your decision and at your own risk. You may choose to use the Content is whole, in part or not at all.

There may be practices, standards and/or governmental requirements applicable to your operations that exceed, or vary from, the Licensed Product. You are solely responsible for determining of such practices, standards of regulatory requirements exist and whether they apply to your activities and for complying with these that are applicable. Such practices, standards and regulatory requirements can change significantly over time. Unless Docuneering Ltd expressly states otherwise in writing, nothing in this Agreement shall be interpreted as requiring Docuneering Ltd to provide you with updates, revisions or information about any development or action affecting the Licensed Product.

The Licensed Product has been compiled by Docuneering Ltd and/or its licensors. Docuneering Ltd and/or its licensors reserve title to and ownership of the Licensed Product and all copyrights and any other intellectual rights in it.

### 3 Description of license

Upon your acceptance of this Agreement, you will be permitted to access the information for which you have obtained the license described and limited below...

Intentionally left blank.



---

## Safety statements

### 1 Safety statements

#### **WARNING**

The removal of the tire with the tire inflated is dangerous. Make sure the tire is fully deflated before you remove the tire.

#### **WARNING**

This is another warning.

#### **CAUTION**

You must keep the roller bearing with the related wheel. The roller bearings are not interchangeable.

#### **CAUTION**

This is another caution.

#### **NOTE**

This is a note.

#### **NOTE**

This is another note.

Intentionally left blank.

### List of effective data modules

The listed documents are included in issue 002, dated 2023-02-01, of this publication.

C = Changed data module

N = New data module

Document title	Data module code Publication module code	Issue date	No. of pages	Applicable to
Title page	<a href="#">S1000DBIKE-AAA-D00-00-00-00AA-001A-A</a>	2022-12-31	1	Mountain bicycle Mountain storm Brook trekker Mk1 Mk9
Configuration	<a href="#">S1000DBIKE-AAA-D00-00-00-00AA-020A-A</a>	2022-12-31	1	Mountain bicycle Mountain storm Brook trekker Mk1 Mk9
Copyright statements	<a href="#">S1000DBIKE-AAA-D00-00-00-00AA-021A-A</a>	2022-12-31	1	Mountain bicycle Mountain storm Brook trekker Mk1 Mk9
Administrative and legal statements	<a href="#">S1000DBIKE-AAA-D00-00-00-00AA-023A-A</a>	2022-12-31	1	Mountain bicycle Mountain storm Brook trekker Mk1 Mk9
Safety statements	<a href="#">S1000DBIKE-AAA-D00-00-00-00AA-012A-A</a>	2022-12-31	1	Mountain bicycle Mountain storm Brook trekker Mk1 Mk9

Produced by Docuneering Ltd

Applicable to:

**S1000DBIKE-AAA-D00-00-00-00AA-002A-A**

(Continued)

Document title	Data module code Publication module code	Issue date	No. of pages	Applicable to
Change record	S1000DBIKE-AAA-D00-00-00-00AA-00TA-A	C 2023-02-01	1	Mountain bicycle Mountain storm Brook trekker Mk1 Mk9
Technical standard record	S1000DBIKE-AAA-D00-00-00-00AA-008A-A	2022-12-31	1	Mountain bicycle Mountain storm Brook trekker Mk1 Mk9
Introduction	S1000DBIKE-AAA-D00-00-00-00AA-018A-A	2022-12-31	1	Mountain bicycle Mountain storm Brook trekker Mk1 Mk9
Section 1 – Bicycle	S1000DBIKE-AAA-D00-00-00-01AA-001A-A	2022-12-31	1	Mountain bicycle Mountain storm Brook trekker Mk1 Mk9
Bicycle – Description of how it is made	S1000DBIKE-AAA-D00-00-00-00AA-041A-A	C 2003-12-31	3	Mountain bicycle Mountain storm Brook trekker Mk1 Mk9
Bicycle – Description of function	S1000DBIKE-AAA-D00-00-00-00AA-042A-A	N 2003-12-31	3	Mountain bicycle Mountain storm Brook trekker Mk1 Mk9

Produced by Docuneering Ltd

Applicable to:

S1000DBIKE-AAA-D00-00-00-00AA-002A-A

(Continued)

Document title	Data module code Publication module code	Issue date	No. of pages	Applicable to
Bicycle – Description attributed to crew	S1000DBIKE-AAA-D00-00-00-00AA-043A-A	C 2003-12-31	2	Mountain bicycle Mountain storm Brook trekker Mk1 Mk9
Bicycle – Pre-operation procedures (crew)	S1000DBIKE-AAA-D00-00-00-00AA-121A-A	C 2003-12-31	2	Mountain bicycle Mountain storm Brook trekker Mk1 Mk9
Bicycle – Normal operation procedures (crew)	S1000DBIKE-AAA-D00-00-00-00AA-131A-A	C 2003-12-31	3	Mountain bicycle Mountain storm Brook trekker Mk1 Mk9
Bicycle – Post-operation procedures (crew)	S1000DBIKE-AAA-D00-00-00-00AA-151A-A	N 2003-12-31	2	Mountain bicycle Mountain storm Brook trekker Mk1 Mk9
Bicycle – Other procedures to clean	S1000DBIKE-AAA-D00-00-00-00AA-258A-A	C 2003-12-31	6	Mountain bicycle Mountain storm Brook trekker Mk1 Mk9
Bicycle – Place on test stand	S1000DBIKE-AAA-D00-00-00-00AA-330A-A	C 2003-12-31	2	Mountain bicycle Mountain storm Brook trekker Mk1 Mk9

Produced by Docuneering Ltd

Applicable to:

S1000DBIKE-AAA-D00-00-00-00AA-002A-A

(Continued)

Document title	Data module code Publication module code	Issue date	No. of pages	Applicable to
Bicycle – Standard repair procedures	S1000DBIKE-AAA-D00-00-00-00AA-663A-A	2003-12-31	13	Mountain bicycle Mountain storm Brook trekker Mk1 Mk9
Bicycle – Illustrated Parts Data - IPD	S1000DBIKE-AAA-D00-00-00-00AA-941A-D	2003-12-31	3	Mountain bicycle Mountain storm Brook trekker Mk1 Mk9
Bicycle – Time limits	S1000DBIKE-AAA-D05-10-00-00AA-000A-A	C 2003-12-31	1	Mountain bicycle Mountain storm Brook trekker Mk1 Mk9
Bicycle – Scheduled maintenance lists	S1000DBIKE-AAA-D05-20-00-00AA-000A-A	2003-12-31	11	Mountain bicycle Mountain storm Brook trekker Mk1 Mk9
Bicycle – Scheduled maintenance checks	S1000DBIKE-AAA-D05-40-00-00AA-000A-A	2003-12-31	2	Mountain bicycle Mountain storm Brook trekker Mk1 Mk9
Wheel – Description of how it is made	S1000DBIKE-AAA-DA0-00-00-00AA-041A-A	C 2003-12-31	7	Mountain bicycle Mountain storm Brook trekker Mk1 Mk9

Produced by Docuneering Ltd

Applicable to:

S1000DBIKE-AAA-D00-00-00-00AA-002A-A

(Continued)

Document title	Data module code Publication module code	Issue date	No. of pages	Applicable to
Inner tube – Remove and install a new item	S1000DBIKE-AAA-DA0-10-10-00AA-921A-A	2003-12-31	4	Mountain bicycle Mountain storm Brook trekker Mk1 Mk9
Tire – Fill with air	S1000DBIKE-AAA-DA0-10-20-00AA-215A-A	2003-12-31	2	Mountain bicycle Mountain storm Brook trekker Mk1 Mk9
Tire – Check pressure	S1000DBIKE-AAA-DA0-10-20-00AA-362B-A	2003-12-31	2	Mountain bicycle Mountain storm Brook trekker Mk1 Mk9
Front wheel – Fault reports and isolation procedures	S1000DBIKE-AAA-DA0-10-20-00AA-400A-A	2003-12-31	3	Mountain bicycle Mountain storm Brook trekker Mk1 Mk9
Tire – Remove and install a new item	S1000DBIKE-AAA-DA0-10-20-00AA-921A-A	2003-12-31	3	Mountain bicycle Mountain storm Brook trekker Mk1 Mk9
Rear wheel – Detected fault	S1000DBIKE-AAA-DA0-20-00-00AA-412A-A	2003-12-31	2	Mountain bicycle Mountain storm Brook trekker Mk1 Mk9

Produced by Docuneering Ltd

Applicable to:

S1000DBIKE-AAA-D00-00-00-00AA-002A-A

(Continued)

Document title	Data module code Publication module code	Issue date	No. of pages	Applicable to
Rear wheel – Remove procedures	S1000DBIKE-AAA-DA0-20-00-00AA-520A-A	2003-12-31	2	Mountain bicycle Mountain storm Brook trekker Mk1 Mk9
Brake system – Description of how it is made	S1000DBIKE-AAA-DA1-00-00-00AA-041A-A	2003-12-31	8	Mountain bicycle Mountain storm Brook trekker Mk1 Mk9
Brake system – Manual test	S1000DBIKE-AAA-DA1-00-00-00AA-341A-A	2003-12-31	2	Mountain bicycle Mountain storm Brook trekker Mk1 Mk9
Brake pads – Clean with rubbing alcohol	S1000DBIKE-AAA-DA1-10-00-00AA-251A-A	2003-12-31	2	Mountain bicycle Mountain storm Brook trekker Mk1 Mk9
Steering – Description of how it is made	S1000DBIKE-AAA-DA2-00-00-00AA-041A-A	N 2003-12-31	2	Mountain bicycle Mountain storm Brook trekker Mk1 Mk9
Stem – Remove procedures	S1000DBIKE-AAA-DA2-10-00-00AA-520A-A	C 2003-12-31	4	Mountain bicycle Mountain storm Brook trekker Mk1 Mk9

Produced by Docuneering Ltd

Applicable to:

S1000DBIKE-AAA-D00-00-00-00AA-002A-A



(Continued)

Document title	Data module code Publication module code	Issue date	No. of pages	Applicable to
Stem – Install procedures	<a href="#">S1000DBIKE-AAA-DA2-10-00-00AA-720A-A</a>	C 2003-12-31	7	Mountain bicycle Mountain storm Brook trekker Mk1 Mk9
Handlebar – Remove procedures	<a href="#">S1000DBIKE-AAA-DA2-20-00-00AA-520A-A</a>	N 2003-12-31	7	Mountain bicycle Mountain storm Brook trekker Mk1 Mk9
Handlebar – Install procedures	<a href="#">S1000DBIKE-AAA-DA2-20-00-00AA-720A-A</a>	C 2003-12-31	3	Mountain bicycle Mountain storm Brook trekker Mk1 Mk9
Headset – Description of how it is made	<a href="#">S1000DBIKE-AAA-DA2-30-00-00AA-041A-A</a>	2003-12-31	3	Mountain bicycle Mountain storm Brook trekker Mk1 Mk9
Headset – Remove procedures	<a href="#">S1000DBIKE-AAA-DA2-30-00-00AA-520A-A</a>	N 2003-12-31	4	Mountain bicycle Mountain storm Brook trekker Mk1 Mk9
Headset – Install procedures	<a href="#">S1000DBIKE-AAA-DA2-30-00-00AA-720A-A</a>	C 2003-12-31	3	Mountain bicycle Mountain storm Brook trekker Mk1 Mk9

Produced by Docuneering Ltd

Applicable to:

**S1000DBIKE-AAA-D00-00-00-00AA-002A-A**

(Continued)

Document title	Data module code Publication module code	Issue date	No. of pages	Applicable to
Frame – Description of how it is made	S1000DBIKE-AAA-DA3-00-00-00AA-041A-A	2003-12-31	3	Mountain bicycle Mountain storm Brook trekker Mk1 Mk9
Horn – Isolated fault	S1000DBIKE-AAA-DA3-10-00-00AA-411A-A	2003-12-31	2	Mountain bicycle Mountain storm Brook trekker Mk1 Mk9
Horn – Remove and install a new item	S1000DBIKE-AAA-DA3-10-00-00AA-921A-A	2003-12-31	2	Mountain bicycle Mountain storm Brook trekker Mk1 Mk9
Drivetrain – Description of how it is made	S1000DBIKE-AAA-DA4-00-00-00AA-041A-A	2003-12-31	1	Mountain bicycle Mountain storm Brook trekker Mk1 Mk9
Chain – Oil	S1000DBIKE-AAA-DA4-10-00-00AA-241A-A	C 2003-12-31	9	Mountain bicycle Mountain storm Brook trekker Mk1 Mk9
Chain – Clean with chain cleaning fluid	S1000DBIKE-AAA-DA4-10-00-00AA-251B-A	2003-12-31	3	Mountain bicycle Mountain storm Brook trekker Mk1 Mk9

Produced by Docuneering Ltd

Applicable to:

S1000DBIKE-AAA-D00-00-00-00AA-002A-A

(Continued)

Document title	Data module code Publication module code	Issue date	No. of pages	Applicable to
Drive train – Correlated fault	S1000DBIKE-AAA-DA4-10-00-00AA-414A-A	2003-12-31	2	Mountain bicycle Mountain storm Brook trekker Mk1 Mk9
Gears – Description of how it is made	S1000DBIKE-AAA-DA5-00-00-00AA-041A-A	2003-12-31	1	Mountain bicycle Mountain storm Brook trekker Mk1 Mk9
Mechs – Description of how it is made	S1000DBIKE-AAA-DA5-10-00-00AA-041A-A	2003-12-31	5	Mountain bicycle Mountain storm Brook trekker Mk1 Mk9
Hubs – Clean with degreasing agent	S1000DBIKE-AAA-DA5-20-00-00AA-251C-A	C 2003-12-31	5	Mountain bicycle Mountain storm Brook trekker Mk1 Mk9
Shifters – Description of how it is made	S1000DBIKE-AAA-DA5-30-00-00AA-041A-A	2003-12-31	7	Mountain bicycle Mountain storm Brook trekker Mk1 Mk9
Section 2 – Electrical Lighting System	S1000DBIKE-AAA-D00-00-00-02AA-001A-A	2022-12-31	1	Mountain bicycle Mountain storm Brook trekker Mk1 Mk9

Produced by Docuneering Ltd

Applicable to:

S1000DBIKE-AAA-D00-00-00-00AA-002A-A

(Continued)

Document title	Data module code Publication module code	Issue date	No. of pages	Applicable to
Wiring data – Field description	S1000DLIGHTING-AAA-D00-00-00-00AA-029A-A	2003-12-31	1	Mountain bicycle Mountain storm Brook trekker Mk1 Mk9
Electrical system – Description of how it is made and its function	S1000DLIGHTING-AAA-D00-00-00-00AA-040A-A	2003-12-31	2	Mountain bicycle Mountain storm Brook trekker Mk1 Mk9
Wiring – Equipment lists	S1000DLIGHTING-AAA-D00-00-00-00AA-056A-A	N 2003-12-31	2	Mountain bicycle Mountain storm Brook trekker Mk1 Mk9
Wiring – Wire list	S1000DLIGHTING-AAA-D00-00-00-00AA-057A-A	C 2003-12-31	5	Mountain bicycle Mountain storm Brook trekker Mk1 Mk9
Wiring – Loom list	S1000DLIGHTING-AAA-D00-00-00-00AA-058A-A	C 2003-12-31	1	Mountain bicycle Mountain storm Brook trekker Mk1 Mk9
Lights – Manual test	S1000DLIGHTING-AAA-D00-00-00-00AA-341A-A	2003-12-31	2	Mountain bicycle Mountain storm Brook trekker Mk1 Mk9

Produced by Docuneering Ltd

Applicable to:

S1000DBIKE-AAA-D00-00-00-00AA-002A-A

(Continued)

Document title	Data module code Publication module code	Issue date	No. of pages	Applicable to
Lights – Observed fault	<a href="#">S1000DLIGHTING-AAA-D00-00-00-00AA-413A-A</a>	2003-12-31	2	Mountain bicycle Mountain storm Brook trekker Mk1 Mk9
Lighting – Assemble, install and connect procedures	<a href="#">S1000DLIGHTING-AAA-D00-00-00-00AA-700A-A</a>	2003-12-31	3	Mountain bicycle Mountain storm Brook trekker Mk1 Mk9
Lighting – Remove and install a new item	<a href="#">S1000DLIGHTING-AAA-D00-00-00-00AA-921A-A</a>	2003-12-31	3	Mountain bicycle Mountain storm Brook trekker Mk1 Mk9
Light system – Illustrated Parts Data - IPD	<a href="#">S1000DLIGHTING-AAA-D00-00-00-00AA-941A-D</a>	2003-12-31	3	Mountain bicycle Mountain storm Brook trekker Mk1 Mk9

Intentionally left blank.

---

## Change record

The change record displays the issue history of the publication.

Issue number	Issue date	Issue number	Issue date
001	2022-12-31	002	2023-02-01

Intentionally left blank.



## Highlights

### *Issue 002*

The listed changes are included in issue 002, dated 2023-02-01, of this publication.

Data module code	Reason for update
S1000DBIKE-AAA-D00-00-00-00AA-00TA-A	Up issue to 002
S1000DBIKE-AAA-D00-00-00-00AA-041A-A	
S1000DBIKE-AAA-D00-00-00-00AA-041A-A	
S1000DBIKE-AAA-D00-00-00-00AA-041A-A	
S1000DBIKE-AAA-D00-00-00-00AA-041A-A	
S1000DBIKE-AAA-D00-00-00-00AA-121A-A	
S1000DBIKE-AAA-D00-00-00-00AA-131A-A	
S1000DBIKE-AAA-D00-00-00-00AA-131A-A	Display changed
S1000DBIKE-AAA-D00-00-00-00AA-258A-A	Procedure has been changed
S1000DBIKE-AAA-D00-00-00-00AA-258A-A	Replaced by supplier
S1000DBIKE-AAA-D00-00-00-00AA-258A-A	Safty hazard reported
S1000DBIKE-AAA-D00-00-00-00AA-258A-A	Safty hazard reported
S1000DBIKE-AAA-D00-00-00-00AA-258A-A	
S1000DBIKE-AAA-D00-00-00-00AA-258A-A	Procedure has been changed
S1000DBIKE-AAA-D00-00-00-00AA-258A-A	Changed procedure for Mk9
S1000DBIKE-AAA-D00-00-00-00AA-258A-A	
S1000DBIKE-AAA-D05-10-00-00AA-000A-A	
S1000DBIKE-AAA-D05-10-00-00AA-000A-A	
S1000DBIKE-AAA-D05-10-00-00AA-000A-A	
S1000DBIKE-AAA-D05-10-00-00AA-000A-A	
S1000DBIKE-AAA-D05-10-00-00AA-000A-A	
S1000DBIKE-AAA-D05-20-00-00AA-000A-A	
S1000DBIKE-AAA-D05-20-00-00AA-000A-A	
S1000DBIKE-AAA-D05-20-00-00AA-000A-A	
S1000DBIKE-AAA-D05-20-00-00AA-000A-A	
S1000DBIKE-AAA-DA1-00-00-00AA-041A-A	
S1000DBIKE-AAA-DA2-10-00-00AA-520A-A	
S1000DBIKE-AAA-DA2-10-00-00AA-520A-A	
S1000DBIKE-AAA-DA2-10-00-00AA-720A-A	

Produced by Docuneering Ltd

Applicable to:

**S1000DBIKE-AAA-D00-00-00-00AA-003A-A**

(Continued)

Data module code	Reason for update
S1000DBIKE-AAA-DA2-10-00-00AA-720A-A	
S1000DBIKE-AAA-DA2-10-00-00AA-720A-A	
S1000DBIKE-AAA-DA2-10-00-00AA-720A-A	
S1000DBIKE-AAA-DA2-10-00-00AA-720A-A	
S1000DBIKE-AAA-DA2-10-00-00AA-720A-A	
S1000DBIKE-AAA-DA2-10-00-00AA-720A-A	
S1000DBIKE-AAA-DA2-20-00-00AA-520A-A	
S1000DBIKE-AAA-DA2-20-00-00AA-720A-A	
S1000DBIKE-AAA-DA2-20-00-00AA-720A-A	
S1000DBIKE-AAA-DA2-20-00-00AA-720A-A	
S1000DBIKE-AAA-DA2-20-00-00AA-720A-A	
S1000DBIKE-AAA-DA2-20-00-00AA-720A-A	
S1000DBIKE-AAA-DA2-20-00-00AA-720A-A	
S1000DBIKE-AAA-DA2-20-00-00AA-720A-A	
S1000DBIKE-AAA-DA2-20-00-00AA-720A-A	
S1000DBIKE-AAA-DA2-20-00-00AA-720A-A	
S1000DBIKE-AAA-DA2-20-00-00AA-720A-A	
S1000DBIKE-AAA-DA2-30-00-00AA-520A-A	
S1000DBIKE-AAA-DA2-30-00-00AA-520A-A	
S1000DBIKE-AAA-DA2-30-00-00AA-720A-A	
S1000DBIKE-AAA-DA2-30-00-00AA-720A-A	
S1000DBIKE-AAA-DA2-30-00-00AA-720A-A	
S1000DBIKE-AAA-DA2-30-00-00AA-720A-A	
S1000DBIKE-AAA-DA2-30-00-00AA-720A-A	
S1000DBIKE-AAA-DA2-30-00-00AA-720A-A	
S1000DBIKE-AAA-DA4-10-00-00AA-241A-A	
S1000DBIKE-AAA-DA4-10-00-00AA-241A-A	
S1000DBIKE-AAA-DA4-10-00-00AA-241A-A	
S1000DBIKE-AAA-DA4-10-00-00AA-241A-A	
S1000DBIKE-AAA-DA4-10-00-00AA-241A-A	
S1000DBIKE-AAA-DA4-10-00-00AA-241A-A	
S1000DBIKE-AAA-DA4-10-00-00AA-241A-A	
S1000DBIKE-AAA-DA4-10-00-00AA-241A-A	
S1000DBIKE-AAA-DA4-10-00-00AA-241A-A	
S1000DBIKE-AAA-DA4-10-00-00AA-241A-A	New floor cover used
S1000DBIKE-AAA-DA4-10-00-00AA-241A-A	Hazard report
S1000DBIKE-AAA-DA5-20-00-00AA-251C-A	
S1000DBIKE-AAA-DA5-20-00-00AA-251C-A	
S1000DBIKE-AAA-DA5-20-00-00AA-251C-A	
S1000DBIKE-AAA-DA5-20-00-00AA-251C-A	
S1000DLIGHTING-AAA-D00-00-00-00AA-700A-A	
S1000DLIGHTING-AAA-D00-00-00-00AA-700A-A	

Produced by Docuneering Ltd

Applicable to:

S1000DBIKE-AAA-D00-00-00-00AA-003A-A

---

(Continued)

---

Data module code	Reason for update
------------------	-------------------

---

S1000DLIGHTING-AAA-D00-00-00-00AA-700A-A

S1000DLIGHTING-AAA-D00-00-00-00AA-921A-A

S1000DLIGHTING-AAA-D00-00-00-00AA-921A-A

S1000DLIGHTING-AAA-D00-00-00-00AA-921A-A

S1000DLIGHTING-AAA-D00-00-00-00AA-921A-A

S1000DLIGHTING-AAA-D00-00-00-00AA-921A-A

S1000DLIGHTING-AAA-D00-00-00-00AA-921A-A

---

Intentionally left blank.

---

**List of abbreviations**

---

<b>Abbreviation</b>	<b>Definition</b>
None	

---

Intentionally left blank.

---

**List of terms**

---

<b>Term</b>	<b>Definition</b>
None	

---

Intentionally left blank.



---

**List of symbols**

---

<b>Symbol</b>	<b>Definition</b>
None	

---

Intentionally left blank.

---

## Technical standard record

The following record confirms that this publication incorporates all technical changes necessitated by the following modifications listed below.

Mod No.	ESA 65
	ESA70
	ESA3690
	ESA7174
	DT28
	PA562
	PA569
	SE132
	TR20
	TR22
	TR23
Service bulletin	X4-A-00-21-00-05B-930A-A
	X4-A-00-21-00-06A-930A-A
	X4-A-00-22-00-11A-930A-A
	X4-A-00-23-00-05C-930A-A

Intentionally left blank.

## Table of contents

The listed documents are included in issue 002, dated 2023-02-01, of this publication.

Document title	Data module code Publication module code	Issue date	No. of pages	Applicable to
Title page	<a href="#">S1000DBIKE-AAA-D00-00-00-00AA-001A-A</a>	2022-12-31	1	Mountain bicycle Mountain storm Brook trekker Mk1 Mk9
Configuration	<a href="#">S1000DBIKE-AAA-D00-00-00-00AA-020A-A</a>	2022-12-31	1	Mountain bicycle Mountain storm Brook trekker Mk1 Mk9
Copyright statements	<a href="#">S1000DBIKE-AAA-D00-00-00-00AA-021A-A</a>	2022-12-31	1	Mountain bicycle Mountain storm Brook trekker Mk1 Mk9
Administrative and legal statements	<a href="#">S1000DBIKE-AAA-D00-00-00-00AA-023A-A</a>	2022-12-31	1	Mountain bicycle Mountain storm Brook trekker Mk1 Mk9
Safety statements	<a href="#">S1000DBIKE-AAA-D00-00-00-00AA-012A-A</a>	2022-12-31	1	Mountain bicycle Mountain storm Brook trekker Mk1 Mk9
Change record	<a href="#">S1000DBIKE-AAA-D00-00-00-00AA-00TA-A</a>	2023-02-01	1	Mountain bicycle Mountain storm Brook trekker Mk1 Mk9

(Continued)

Document title	Data module code Publication module code	Issue date	No. of pages	Applicable to
Technical standard record	<a href="#">S1000DBIKE-AAA-D00-00-00-00AA-008A-A</a>	2022-12-31	1	Mountain bicycle Mountain storm Brook trekker Mk1 Mk9
Introduction	<a href="#">S1000DBIKE-AAA-D00-00-00-00AA-018A-A</a>	2022-12-31	1	Mountain bicycle Mountain storm Brook trekker Mk1 Mk9
Section 1 – Bicycle	<a href="#">S1000DBIKE-AAA-D00-00-00-01AA-001A-A</a>	2022-12-31	1	Mountain bicycle Mountain storm Brook trekker Mk1 Mk9
Bicycle – Description of how it is made	<a href="#">S1000DBIKE-AAA-D00-00-00-00AA-041A-A</a>	2003-12-31	3	Mountain bicycle Mountain storm Brook trekker Mk1 Mk9
Bicycle – Description of function	<a href="#">S1000DBIKE-AAA-D00-00-00-00AA-042A-A</a>	2003-12-31	3	Mountain bicycle Mountain storm Brook trekker Mk1 Mk9
Bicycle – Description attributed to crew	<a href="#">S1000DBIKE-AAA-D00-00-00-00AA-043A-A</a>	2003-12-31	2	Mountain bicycle Mountain storm Brook trekker Mk1 Mk9
Bicycle – Pre-operation procedures (crew)	<a href="#">S1000DBIKE-AAA-D00-00-00-00AA-121A-A</a>	2003-12-31	2	Mountain bicycle Mountain storm Brook trekker Mk1 Mk9

Produced by Docuneering Ltd

Applicable to:

**S1000DBIKE-AAA-D00-00-00-00AA-009A-A**

(Continued)

Document title	Data module code Publication module code	Issue date	No. of pages	Applicable to
Bicycle – Normal operation procedures (crew)	S1000DBIKE-AAA-D00-00-00-00AA-131A-A	2003-12-31	3	Mountain bicycle Mountain storm Brook trekker Mk1 Mk9
Bicycle – Post-operation procedures (crew)	S1000DBIKE-AAA-D00-00-00-00AA-151A-A	2003-12-31	2	Mountain bicycle Mountain storm Brook trekker Mk1 Mk9
Bicycle – Other procedures to clean	S1000DBIKE-AAA-D00-00-00-00AA-258A-A	2003-12-31	6	Mountain bicycle Mountain storm Brook trekker Mk1 Mk9
Bicycle – Place on test stand	S1000DBIKE-AAA-D00-00-00-00AA-330A-A	2003-12-31	2	Mountain bicycle Mountain storm Brook trekker Mk1 Mk9
Bicycle – Standard repair procedures	S1000DBIKE-AAA-D00-00-00-00AA-663A-A	2003-12-31	13	Mountain bicycle Mountain storm Brook trekker Mk1 Mk9
Bicycle – Illustrated Parts Data - IPD	S1000DBIKE-AAA-D00-00-00-00AA-941A-D	2003-12-31	3	Mountain bicycle Mountain storm Brook trekker Mk1 Mk9
Bicycle – Time limits	S1000DBIKE-AAA-D05-10-00-00AA-000A-A	2003-12-31	1	Mountain bicycle Mountain storm Brook trekker Mk1 Mk9

Produced by Docuneering Ltd

Applicable to:

S1000DBIKE-AAA-D00-00-00-00AA-009A-A

(Continued)

Document title	Data module code Publication module code	Issue date	No. of pages	Applicable to
Bicycle – Scheduled maintenance lists	<a href="#">S1000DBIKE-AAA-D05-20-00-00AA-000A-A</a>	2003-12-31	11	Mountain bicycle Mountain storm Brook trekker Mk1 Mk9
Bicycle – Scheduled maintenance checks	<a href="#">S1000DBIKE-AAA-D05-40-00-00AA-000A-A</a>	2003-12-31	2	Mountain bicycle Mountain storm Brook trekker Mk1 Mk9
Wheel – Description of how it is made	<a href="#">S1000DBIKE-AAA-DA0-00-00-00AA-041A-A</a>	2003-12-31	7	Mountain bicycle Mountain storm Brook trekker Mk1 Mk9
Inner tube – Remove and install a new item	<a href="#">S1000DBIKE-AAA-DA0-10-10-00AA-921A-A</a>	2003-12-31	4	Mountain bicycle Mountain storm Brook trekker Mk1 Mk9
Tire – Fill with air	<a href="#">S1000DBIKE-AAA-DA0-10-20-00AA-215A-A</a>	2003-12-31	2	Mountain bicycle Mountain storm Brook trekker Mk1 Mk9
Tire – Check pressure	<a href="#">S1000DBIKE-AAA-DA0-10-20-00AA-362B-A</a>	2003-12-31	2	Mountain bicycle Mountain storm Brook trekker Mk1 Mk9
Front wheel – Fault reports and isolation procedures	<a href="#">S1000DBIKE-AAA-DA0-10-20-00AA-400A-A</a>	2003-12-31	3	Mountain bicycle Mountain storm Brook trekker Mk1 Mk9

Produced by Docuneering Ltd

Applicable to:

**S1000DBIKE-AAA-D00-00-00-00AA-009A-A**



(Continued)

Document title	Data module code Publication module code	Issue date	No. of pages	Applicable to
Tire – Remove and install a new item	<a href="#">S1000DBIKE-AAA-DA0-10-20-00AA-921A-A</a>	2003-12-31	3	Mountain bicycle Mountain storm Brook trekker Mk1 Mk9
Rear wheel – Detected fault	<a href="#">S1000DBIKE-AAA-DA0-20-00-00AA-412A-A</a>	2003-12-31	2	Mountain bicycle Mountain storm Brook trekker Mk1 Mk9
Rear wheel – Remove procedures	<a href="#">S1000DBIKE-AAA-DA0-20-00-00AA-520A-A</a>	2003-12-31	2	Mountain bicycle Mountain storm Brook trekker Mk1 Mk9
Brake system – Description of how it is made	<a href="#">S1000DBIKE-AAA-DA1-00-00-00AA-041A-A</a>	2003-12-31	8	Mountain bicycle Mountain storm Brook trekker Mk1 Mk9
Brake system – Manual test	<a href="#">S1000DBIKE-AAA-DA1-00-00-00AA-341A-A</a>	2003-12-31	2	Mountain bicycle Mountain storm Brook trekker Mk1 Mk9
Brake pads – Clean with rubbing alcohol	<a href="#">S1000DBIKE-AAA-DA1-10-00-00AA-251A-A</a>	2003-12-31	2	Mountain bicycle Mountain storm Brook trekker Mk1 Mk9
Steering – Description of how it is made	<a href="#">S1000DBIKE-AAA-DA2-00-00-00AA-041A-A</a>	2003-12-31	2	Mountain bicycle Mountain storm Brook trekker Mk1 Mk9

Produced by Docuneering Ltd

Applicable to:

**S1000DBIKE-AAA-D00-00-00-00AA-009A-A**

(Continued)

Document title	Data module code Publication module code	Issue date	No. of pages	Applicable to
Stem – Remove procedures	<a href="#">S1000DBIKE-AAA-DA2-10-00-00AA-520A-A</a>	2003-12-31	4	Mountain bicycle Mountain storm Brook trekker Mk1 Mk9
Stem – Install procedures	<a href="#">S1000DBIKE-AAA-DA2-10-00-00AA-720A-A</a>	2003-12-31	7	Mountain bicycle Mountain storm Brook trekker Mk1 Mk9
Handlebar – Remove procedures	<a href="#">S1000DBIKE-AAA-DA2-20-00-00AA-520A-A</a>	2003-12-31	7	Mountain bicycle Mountain storm Brook trekker Mk1 Mk9
Handlebar – Install procedures	<a href="#">S1000DBIKE-AAA-DA2-20-00-00AA-720A-A</a>	2003-12-31	3	Mountain bicycle Mountain storm Brook trekker Mk1 Mk9
Headset – Description of how it is made	<a href="#">S1000DBIKE-AAA-DA2-30-00-00AA-041A-A</a>	2003-12-31	3	Mountain bicycle Mountain storm Brook trekker Mk1 Mk9
Headset – Remove procedures	<a href="#">S1000DBIKE-AAA-DA2-30-00-00AA-520A-A</a>	2003-12-31	4	Mountain bicycle Mountain storm Brook trekker Mk1 Mk9
Headset – Install procedures	<a href="#">S1000DBIKE-AAA-DA2-30-00-00AA-720A-A</a>	2003-12-31	3	Mountain bicycle Mountain storm Brook trekker Mk1 Mk9

Produced by Docuneering Ltd

Applicable to:

**S1000DBIKE-AAA-D00-00-00-00AA-009A-A**

(Continued)

Document title	Data module code Publication module code	Issue date	No. of pages	Applicable to
Frame – Description of how it is made	<a href="#">S1000DBIKE-AAA-DA3-00-00-00AA-041A-A</a>	2003-12-31	3	Mountain bicycle Mountain storm Brook trekker Mk1 Mk9
Horn – Isolated fault	<a href="#">S1000DBIKE-AAA-DA3-10-00-00AA-411A-A</a>	2003-12-31	2	Mountain bicycle Mountain storm Brook trekker Mk1 Mk9
Horn – Remove and install a new item	<a href="#">S1000DBIKE-AAA-DA3-10-00-00AA-921A-A</a>	2003-12-31	2	Mountain bicycle Mountain storm Brook trekker Mk1 Mk9
Drivetrain – Description of how it is made	<a href="#">S1000DBIKE-AAA-DA4-00-00-00AA-041A-A</a>	2003-12-31	1	Mountain bicycle Mountain storm Brook trekker Mk1 Mk9
Chain – Oil	<a href="#">S1000DBIKE-AAA-DA4-10-00-00AA-241A-A</a>	2003-12-31	9	Mountain bicycle Mountain storm Brook trekker Mk1 Mk9
Chain – Clean with chain cleaning fluid	<a href="#">S1000DBIKE-AAA-DA4-10-00-00AA-251B-A</a>	2003-12-31	3	Mountain bicycle Mountain storm Brook trekker Mk1 Mk9
Drive train – Correlated fault	<a href="#">S1000DBIKE-AAA-DA4-10-00-00AA-414A-A</a>	2003-12-31	2	Mountain bicycle Mountain storm Brook trekker Mk1 Mk9

Produced by Docuneering Ltd

Applicable to:

**S1000DBIKE-AAA-D00-00-00-00AA-009A-A**

(Continued)

Document title	Data module code Publication module code	Issue date	No. of pages	Applicable to
Gears – Description of how it is made	<a href="#">S1000DBIKE-AAA-DA5-00-00-00AA-041A-A</a>	2003-12-31	1	Mountain bicycle Mountain storm Brook trekker Mk1 Mk9
Mechs – Description of how it is made	<a href="#">S1000DBIKE-AAA-DA5-10-00-00AA-041A-A</a>	2003-12-31	5	Mountain bicycle Mountain storm Brook trekker Mk1 Mk9
Hubs – Clean with degreasing agent	<a href="#">S1000DBIKE-AAA-DA5-20-00-00AA-251C-A</a>	2003-12-31	5	Mountain bicycle Mountain storm Brook trekker Mk1 Mk9
Shifters – Description of how it is made	<a href="#">S1000DBIKE-AAA-DA5-30-00-00AA-041A-A</a>	2003-12-31	7	Mountain bicycle Mountain storm Brook trekker Mk1 Mk9
Section 2 – Electrical Lighting System	<a href="#">S1000DBIKE-AAA-D00-00-00-02AA-001A-A</a>	2022-12-31	1	Mountain bicycle Mountain storm Brook trekker Mk1 Mk9
Wiring data – Field description	<a href="#">S1000DLIGHTING-AAA-D00-00-00-00AA-029A-A</a>	2003-12-31	1	Mountain bicycle Mountain storm Brook trekker Mk1 Mk9
Electrical system – Description of how it is made and its function	<a href="#">S1000DLIGHTING-AAA-D00-00-00-00AA-040A-A</a>	2003-12-31	2	Mountain bicycle Mountain storm Brook trekker Mk1 Mk9

Produced by Docuneering Ltd

Applicable to:

**S1000DBIKE-AAA-D00-00-00-00AA-009A-A**

(Continued)

Document title	Data module code Publication module code	Issue date	No. of pages	Applicable to
Wiring – Equipment lists	<a href="#">S1000DLIGHTING-AAA-D00-00-00AA-056A-A</a>	2003-12-31	2	Mountain bicycle Mountain storm Brook trekker Mk1 Mk9
Wiring – Wire list	<a href="#">S1000DLIGHTING-AAA-D00-00-00AA-057A-A</a>	2003-12-31	5	Mountain bicycle Mountain storm Brook trekker Mk1 Mk9
Wiring – Loom list	<a href="#">S1000DLIGHTING-AAA-D00-00-00AA-058A-A</a>	2003-12-31	1	Mountain bicycle Mountain storm Brook trekker Mk1 Mk9
Lights – Manual test	<a href="#">S1000DLIGHTING-AAA-D00-00-00AA-341A-A</a>	2003-12-31	2	Mountain bicycle Mountain storm Brook trekker Mk1 Mk9
Lights – Observed fault	<a href="#">S1000DLIGHTING-AAA-D00-00-00AA-413A-A</a>	2003-12-31	2	Mountain bicycle Mountain storm Brook trekker Mk1 Mk9
Lighting – Assemble, install and connect procedures	<a href="#">S1000DLIGHTING-AAA-D00-00-00AA-700A-A</a>	2003-12-31	3	Mountain bicycle Mountain storm Brook trekker Mk1 Mk9
Lighting – Remove and install a new item	<a href="#">S1000DLIGHTING-AAA-D00-00-00AA-921A-A</a>	2003-12-31	3	Mountain bicycle Mountain storm Brook trekker Mk1 Mk9

Produced by Docuneering Ltd

Applicable to:

**S1000DBIKE-AAA-D00-00-00-00AA-009A-A**

---

(Continued)

Document title	Data module code Publication module code	Issue date	No. of pages	Applicable to
Light system – Illustrated Parts Data - IPD	S1000DLIGHTING-AAA-D00-00-00-00AA-941A-D	2003-12-31	3	Mountain bicycle Mountain storm Brook trekker Mk1 Mk9

---

**List of applicable specifications and documentation**

---

Technical publication	Title
	Local Disposal Procedures

---

Intentionally left blank.



---

**List of support equipment**

<b>Name</b>	<b>Identifiacion/ Reference</b>	<b>Manufacturer</b>
8mm Allen wrench	BSK-TLST-001-08	KZ666
Chain cleaning fluid	LL-003	KZ222
Chain cleaning tool	BSK-TLST-001-03	KZ666
Clean dry cloth	BSK-TLST-001-12	KZ666
Extra firm hold hairspray	HSP-D001	HS111
Floor covering	PPP-001	KK999
Foot pump	BSK-TLST-001-05	KZ666
Marker pen	BSK-TLST-001-07	KZ666
Set of Allen wrenches	BSK-TLST-001-13	KZ666
Specialist toolset	BSK-TLST-001	KZ666
Sponge	BSK-TLST-001-11	KZ666
Stiff bristle brush	BSK-TLST-001-02	KZ666
Test stand	BSK-TLST-999-01	KZ666
Tire lever	BSK-TLST-001-04	KZ666
Tire pressure gauge	BSK-TLST-001-01	KZ666
Water hose	BSK-TLST-001-09	KZ666
Work stand	Stand-001	KZ555
Work stand	Stand-001	Bikey
Work stand	Stand-001	Stand

Intentionally left blank.

---

**List of supplies**

<b>Name</b>	<b>Identifiaction/ Reference</b>	<b>Manufacturer</b>
Degreasing agent	LL-004	KZ222
Detergent A	BSK-TLST-023-14	KZ666
Detergent B	BSK-TLST-001-15	KZ666
Dry lube	LL-006	KZ222
Floor covering		
General grease	LL-005	KZ222
General lubricant	LL-001	KZ222
Rubbing alcohol	LL-002	KZ222
Wet lube	LL-007	KZ222

Intentionally left blank.

---

**List of spares**

<b>Name</b>	<b>Identifiacion/ Reference</b>	<b>Manufacturer</b>
Brake cable hangar	BR-LVRS-002	KT444
Brake lever	BR-LVRS-001	KT444
Brake lever mount	BR-LVRS-001-01	KT444
Bulb	LIRUS-L1-11	KZ777
Conical expansion washer	St-001-05	KZ555
Dust seal	St-001-04	KZ555
Frame fork	St-001-02	KZ555
Handlebar	Hd-001	KZ555
Handlebar grips	Hd-001-01	KZ555
Handlebar plug	Hd-001-02	KZ555
Inner-tube	IT-001	KT222
Shifter lever	SI-001	KZ555
Stem	St-001	KZ555
Stem bolt	St-001-01	KZ555
Tire	TIRES-010101	KT666
Upper bearing cup	St-001-03	KZ555

Intentionally left blank.

## List of illustrations

Data module code	Figure	Title
S1000DBIKE-AAA-D00-00-00-00AA-041A-A	Fig 1	Complete bicycle
S1000DBIKE-AAA-D00-00-00-00AA-121A-A	Fig 1	Hydraulic brake function
	Fig 2	Brake pad seating
S1000DBIKE-AAA-D00-00-00-00AA-258A-A	Fig 1	Cleaning the bike
	Fig 2	Degreasing the freehub
S1000DBIKE-AAA-D00-00-00-00AA-663A-A	Fig 1	Unseating the tire with a tire lever
	Fig 2	Circle leak
	Fig 3	Sanding the application area
	Fig 4	Apply glue to application area
	Fig 5	Apply pressure to tube
S1000DBIKE-AAA-D00-00-00-00AA-941A-D	Fig 1	Bicycle
S1000DBIKE-AAA-DA0-00-00-00AA-041A-A	Fig 1	Parts of the wheel
	Fig 2	The tire and rim
	Fig 3	Valve
S1000DBIKE-AAA-DA0-10-10-00AA-921A-A	Fig 1	Removing the inner tube
S1000DBIKE-AAA-DA1-00-00-00AA-041A-A	Fig 1	Cantilever brake with straddle cable
	Fig 2	Exploded diagram of a brake
	Fig 3	Typical components of a mountain bicycle lever
S1000DBIKE-AAA-DA2-10-00-00AA-520A-A	Fig 1	Remove the bolt
S1000DBIKE-AAA-DA2-10-00-00AA-720A-A	Fig 1	Lubricate the thread
	Fig 2	Tighten the bolt
S1000DBIKE-AAA-DA2-20-00-00AA-520A-A	Fig 1	Loosen the clamp screw with the Allen wrench
	Fig 2	Loosen the clamp bolt
S1000DBIKE-AAA-DA2-30-00-00AA-041A-A	Fig 1	Headset
S1000DBIKE-AAA-DA2-30-00-00AA-520A-A	Fig 1	Lift the upper bearing cup
S1000DBIKE-AAA-DA3-00-00-00AA-041A-A	Fig 1	Welded frame joints
	Fig 2	Frame
S1000DBIKE-AAA-DA4-10-00-00AA-241A-A	Fig 1	Derailleur pivots
	Fig 2	Derailleur tension
	Fig 3	Brake lever pivots
	Fig 4	Lubricate the chain
S1000DBIKE-AAA-DA5-10-00-00AA-041A-A	Fig 1	Front derailleur

---

(Continued)

Data module code	Figure	Title
	Fig 2	Rear derailleur
S1000DBIKE-AAA-DA5-20-00-00AA-251C-A	Fig 1	Removing the axle
S1000DBIKE-AAA-DA5-30-00-00AA-041A-A	Fig 1	Thumb shifter index type
	Fig 2	Unscrew wingnut
	Fig 3	Loosen the nut
	Fig 4	Loosen the shifter clamp bolt
S1000DLIGHTING-AAA-D00-00-00-00AA-040A-A	Fig 1	Lighting system
S1000DLIGHTING-AAA-D00-00-00-00AA-941A-D	Fig 1	Light system



## Introduction

1 Introduction goes here...

Intentionally left blank.

# Section 1

## Bicycle

Intentionally left blank.

## Bicycle

### *Description of how it is made*

#### Table of contents

	Page
Description of how it is made .....	1
References .....	1
Description .....	1
1 Physical description of a bicycle .....	1

#### List of tables

1	References .....	1
2	Bicycle parts .....	2

#### List of figures

1	Complete bicycle .....	2
---	------------------------	---

### **References**

*Table 1 References*

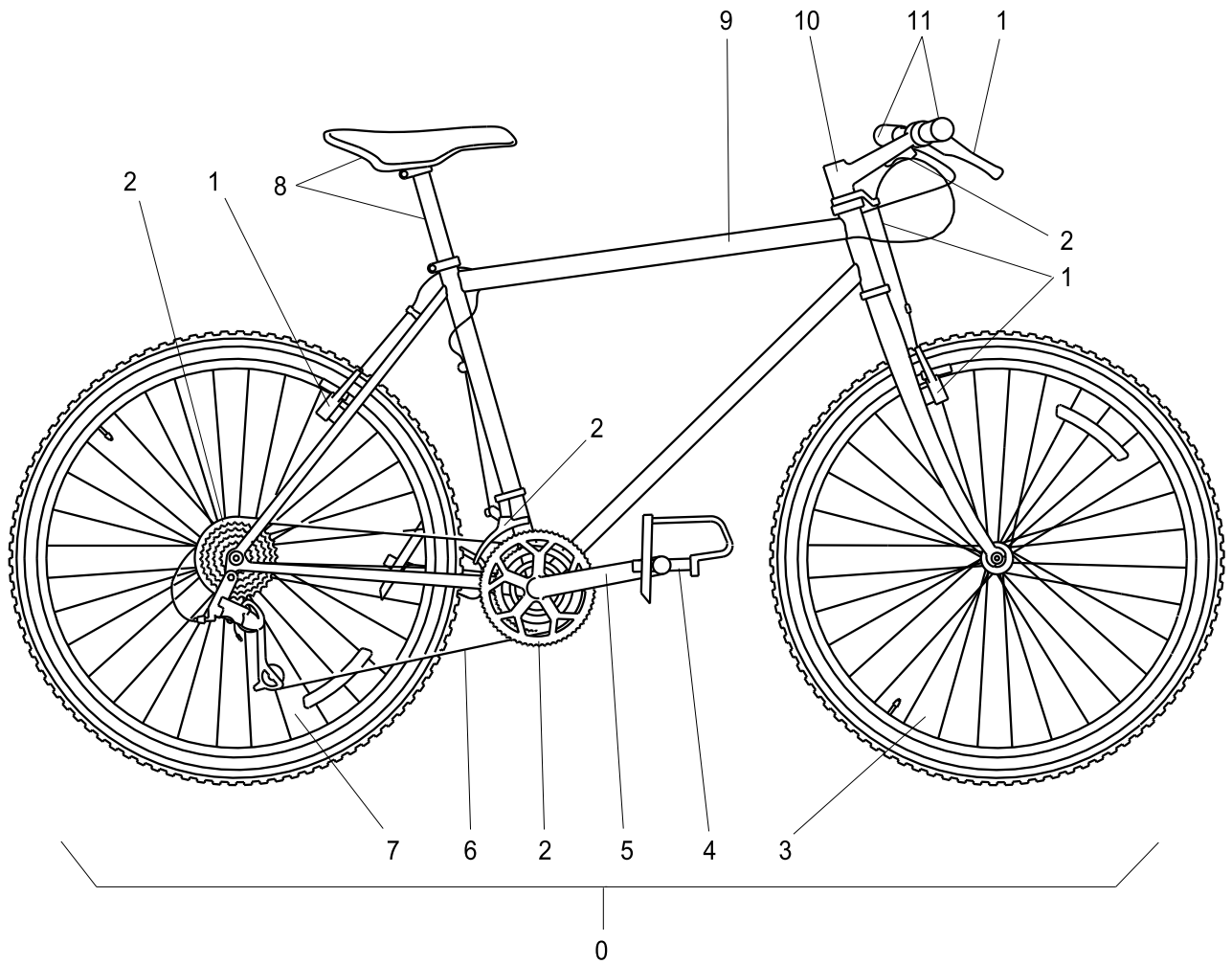
Data module / Technical publication	Title
None	

### **Description**

#### **1 Physical description of a bicycle**

A bicycle (refer to [Fig 1](#)) is a frame and a number of movable components with mechanical parts that are completely open. There are no covers or sheet metal panels that prevent access to the mechanical parts. Thus, you can disassemble the different components of a bicycle (refer to [Fig 1 \[0\]](#)) to do:

- an inspection
- a maintenance task
- a repair task



ICN-S1000DBIKE-AAA-D000000-0-U8025-00536-A-04-1

Fig 1 Complete bicycle

The parts that you can immediately identify on a bicycle are given in Table 1.

Table 2 Bicycle parts

Item	Refer to	Definition
Frame	Fig 1 [9]	A bicycle frame is made of metal tubes that are welded together.
Wheels		The wheels include these parts: <ul style="list-style-type: none"> <li>- Hub</li> <li>- Spokes</li> <li>- Metal rim</li> <li>- Rubber tire</li> </ul>
- Rear wheel	Fig 1 [7]	

Produced by Docuneering Ltd

Table 2 Bicycle parts (Continued)

Item	Refer to	Definition
- Front wheel	Fig 1 [3]	
Seat and seat post	Fig 1 [8]	These install into the seat tube with a mechanism you can use to change the height.
Handle bars	Fig 1 [11]	A horizontal bar that attaches to the stem with grips at the ends that attach to the brake levers and the shifters.
Handle bar stem	Fig 1 [10]	This attaches the handle bar to the steering tube (head set).
Cranks	Fig 1 [5]	A lever that extends from the bottom of the bracket to the pedal.
Pedals	Fig 1 [4]	The two platforms for the feet that attach to the crank.
Chain	Fig 1 [6]	A circular set of links that connect the chain ring to the cogs on the freewheel.
Gears	Fig 1 [2]	The gears include: <ul style="list-style-type: none"> <li>- Front chain ring</li> <li>- Rear freewheel</li> <li>- Front and the rear derailleur</li> <li>- Shift lever on the handle bars</li> <li>- Cables</li> </ul>
Brakes	Fig 1 [1]	The brakes include: <ul style="list-style-type: none"> <li>- Actuators on the handlebars</li> <li>- Brake cable</li> <li>- Brake callipers</li> <li>- Brake pads</li> </ul>

Intentionally left blank.



## Bicycle

### Description of function

#### Table of contents

	Page
Description of function .....	1
References .....	1
Description .....	1
1 Functional description of a bicycle .....	1

#### List of tables

1 References .....	1
--------------------	---

### References

Table 1 References

Data module / Technical publication	Title
<a href="#">S1000DBIKE-AAA-DA3-00-00-00AA-041A-A</a>	Frame – Description of how it is made
<a href="#">S1000DBIKE-AAA-DA0-00-00-00AA-041A-A</a>	Wheel – Description of how it is made
<a href="#">S1000DBIKE-AAA-DA2-20-00-00AA-720A-A</a>	Handlebar – Install procedures
<a href="#">S1000DBIKE-AAA-DA5-30-00-00AA-041A-A</a>	Shifters – Description of how it is made
<a href="#">S1000DBIKE-AAA-DA2-10-00-00AA-720A-A</a>	Stem – Install procedures
<a href="#">S1000DBIKE-AAA-DA2-10-00-00AA-520A-A</a>	Stem – Remove procedures
<a href="#">S1000DBIKE-AAA-DA5-00-00-00AA-041A-A</a>	Gears – Description of how it is made
<a href="#">S1000DBIKE-AAA-DA1-00-00-00AA-041A-A</a>	Brake system – Description of how it is made
<a href="#">S1000DBIKE-AAA-DA2-20-00-00AA-520A-A</a>	Handlebar – Remove procedures
<a href="#">S1000DBIKE-AAA-DA4-10-00-00AA-251B-A</a>	Chain – Clean with chain cleaning fluid
<a href="#">S1000DBIKE-AAA-DA5-10-00-00AA-041A-A</a>	Mechs – Description of how it is made

### Description

#### 1 Functional description of a bicycle

Below is a list of the different bicycle components and a functional description of them.

Frame	The frame is the skeleton of the bicycle. Refer to <a href="#">S1000DBIKE-AAA-DA3-00-00-00AA-041A-A</a> for a functional description of the frame system.
Wheel	The wheel is the point of contact between the bicycle and the road for the bicycle to have movement. Refer to <a href="#">S1000DBIKE-</a>

---

	<a href="#">AAA-DA0-00-00-00AA-041A-A</a> for a functional description of the wheel.
Spokes	The spokes are thick wires with tension applied that connect the hub to the rim. You can adjust the tension with the nipple on the rim side.
Hub	The hub attaches to the center of the wheel where the axle and the bearings are.
Metal rim	The metal rim is a metal ring that has a U-shaped cross section to hold the spokes on the inner side and the tire on the outer side.
Seat	The Seat, which is also known as the 'saddle', is used as the support platform for the person to sit on the bicycle.
Seat post	The Seat post is used as a support post for the seat and to change the height of the seat for the rider.
Handle bar	The handle bar is a horizontal bar with handles on each end. The handle bar is a steering mechanism that the rider uses to change the direction of the bicycle. The brake levers are also on the handle bar. Refer to <a href="#">S1000DBIKE-AAA-DA2-20-00-00AA-720A-A</a> for information on how to install the handle bar. Refer to <a href="#">S1000DBIKE-AAA-DA2-20-00-00AA-520A-A</a> for information on removing the handlebar.
Handle bar stem	The handle bar stem (the stem) attaches the handle bar to the steering tube. Refer to <a href="#">S1000DBIKE-AAA-DA2-10-00-00AA-720A-A</a> for information on how to install a stem. Refer to <a href="#">S1000DBIKE-AAA-DA2-10-00-00AA-520A-A</a> for information on how to remove the stem.
Brake levers	When you operate the brake lever, the brake pads move against the wheel to decrease the speed. The brake lever on the left side operates the front brake. The brake lever on the right side operates the rear brake.
Brakes	When you operate the brakes, the brake pad moves against the wheel to decrease the speed of the bicycle. Refer to <a href="#">S1000DBIKE-AAA-DA1-00-00-00AA-041A-A</a> for a description of the braking system.
Shifters	The shifters are the mechanisms that you use to change the gears on the bicycle. There are 7 different types of shifters that have been developed over the years, but they all have the same functionality. When you operate the shifters, they pull the control cable to move the derailleur towards a larger diameter chain ring. The shifters can also loosen the cable to let the derailleur move towards a smaller diameter chain ring. Refer to <a href="#">S1000DBIKE-AAA-DA5-30-00-00AA-041A-A</a> for a functional description of the shifters.
Crank	The crank moves the power to the chain rings when the pedals operate.

---

Pedals	The pedals move the force of movement from the feet to the cranks.
Chain	The chain moves the power from the chain rings to the cogs on the freewheel. Refer to <a href="#">S1000DBIKE-AAA-DA4-10-00-00AA-251B-A</a> for the procedure on how to clean the chain.
Gears	<p>The gears have different mechanisms that function together to change the speed of the bicycle. These mechanisms include:</p> <ul style="list-style-type: none"><li>the sprockets</li><li>the chain</li><li>the derailleur</li></ul> <p>Refer to <a href="#">S1000DBIKE-AAA-DA5-00-00-00AA-041A-A</a> for a functional description of the gear system.</p>
Chain rings	The chain rings (also known as the 'chain wheel') pull on the chain when the cranks turn.
Derailleur	A derailleur moves the chain from one sprocket to another to change the gears. There are two different types of derailleur, the front and the rear. The highest ratio (highest gear) is when the chain is on the largest sprocket on the front and the smallest at the rear. To get the lowest gear, the smallest sprocket is at the front and the largest at the rear. Refer to <a href="#">S1000DBIKE-AAA-DA5-10-00-00AA-041A-A</a> for a functional description of the derailleur system.

Intentionally left blank.

## Bicycle

### *Description attributed to crew*

#### Table of contents

	Page
Description attributed to crew .....	1
References .....	1
1 Introduction .....	1
2.1 Controls .....	1
2.2 Steering .....	1
2.3 Shifters .....	2
2.4 Brakes .....	2
2.5 Pedals .....	2

#### List of tables

1	References .....	1
2	shifter correlation .....	2
3	brake lever correlation .....	2

### *References*

*Table 1 References*

Data module / Technical publication	Title
<a href="#">S1000DBIKE-AAA-DA5-30-00-00AA-041A-A</a>	Shifters – Description of how it is made

## 1 Introduction

Data about the bicycle and its control system is given in this document. This data will help you operate the bicycle.

## 2

### 2.1 Controls

Data about the controls that follow is given in this document:

- [Para 2.2](#)
- [Para 2.3](#)
- [Para 2.4](#)
- [Para 2.5](#)

### 2.2 Steering

The handlebars are used to steer the bike. They are at the front of the bicycle. You hold one of the handlebar grips with each hand and move the handle bar to change the direction of the bike.

## 2.3 Shifters

The gears control the ratio of pedal rotation to wheel rotation. You can change this with the shifters [S1000DBIKE-AAA-DA5-30-00-00AA-041A-A](#) . The shifters are on the handlebar.

A description of the two [Table 2](#) follows.

*Table 2 shifter correlation*

Shifter Location	Affected Gears
Left	The buttons on the left shifter changes the gears on the front derailleur.
Right	The buttons on the right shifter changes the gears on the rear derailleur.

## 2.4 Brakes

### **WARNING**

**If you operate the front brake without the rear brake you can cause a crash.**

You can decrease the speed of the bike with the brakes. You operate the brakes with the brake levers on the handlebar.

A description of the brake levers [Table 3](#) .

*Table 3 brake lever correlation*

Brake Lever Location	Affected Gears
Left	This lever operates the front brake.
Right	This lever operates the rear brake.

## 2.5 Pedals

The pedals are at the bottom of the seat tube. You operate the pedals to move the bicycle forward.

## Bicycle

### *Pre-operation procedures (crew)*

#### Table of contents

	Page
Pre-operation procedures (crew) .....	1
References .....	1
Preliminary requirements .....	1
Procedure .....	2

#### List of tables

1	References .....	1
2	Required conditions .....	1
3	Required persons .....	2
4	Support equipment .....	2
5	Consumables, materials and expendables .....	2
6	Spares .....	2

#### List of figures

1	Hydraulic brake function .....	3
2	Brake pad seating .....	4

### **References**

*Table 1 References*

Data module / Technical publication	Title
<a href="#">S1000DBIKE-AAA-DA4-10-00-00AA-251B-A</a>	Chain – Clean with chain cleaning fluid

### ***Preliminary requirements***

#### Required conditions

*Table 2 Required conditions*

Action / Condition	Data module / Technical publication
None	

## Required persons

Table 3 Required persons

Persons	Category	Skill level	Trade/Trade code	Estimated time
Man A	Basic user		Operator	0,25 h

## Support equipment

Table 4 Support equipment

Name	Manufacturer / Part No.	Quantity	Remark
Tire pressure gauge	MFR: KZ666 /PN: BSK-TLST-001-01	1 EA	
Specialist toolset	MFR: KZ666 /PN: BSK-TLST-001	1 EA	

## Consumables, materials and expendables

Table 5 Consumables, materials and expendables

Name	Manufacturer / Part No.	Quantity	Remark
General lubricant	MFR: KZ222 /PN: LL-001	As required	

## Spares

Table 6 Spares

Name	Manufacturer / Part No.	Quantity	Remark
None			

## Safety conditions

None

## Procedure

- 1 Examine the condition of the brakes.
  - 1.1 Open the brake quick release.
  - 1.2 Examine the condition and the thickness of the brake pads.
    - 1.2.1 Make sure that there is a large quantity of rubber left.
    - 1.2.2 Make sure that the pad is not too hard.
  - 1.3 Clean all the unwanted material.



2 Do an inspection of the installation of the brakes.

2.1 Check the hydraulic brake system function.



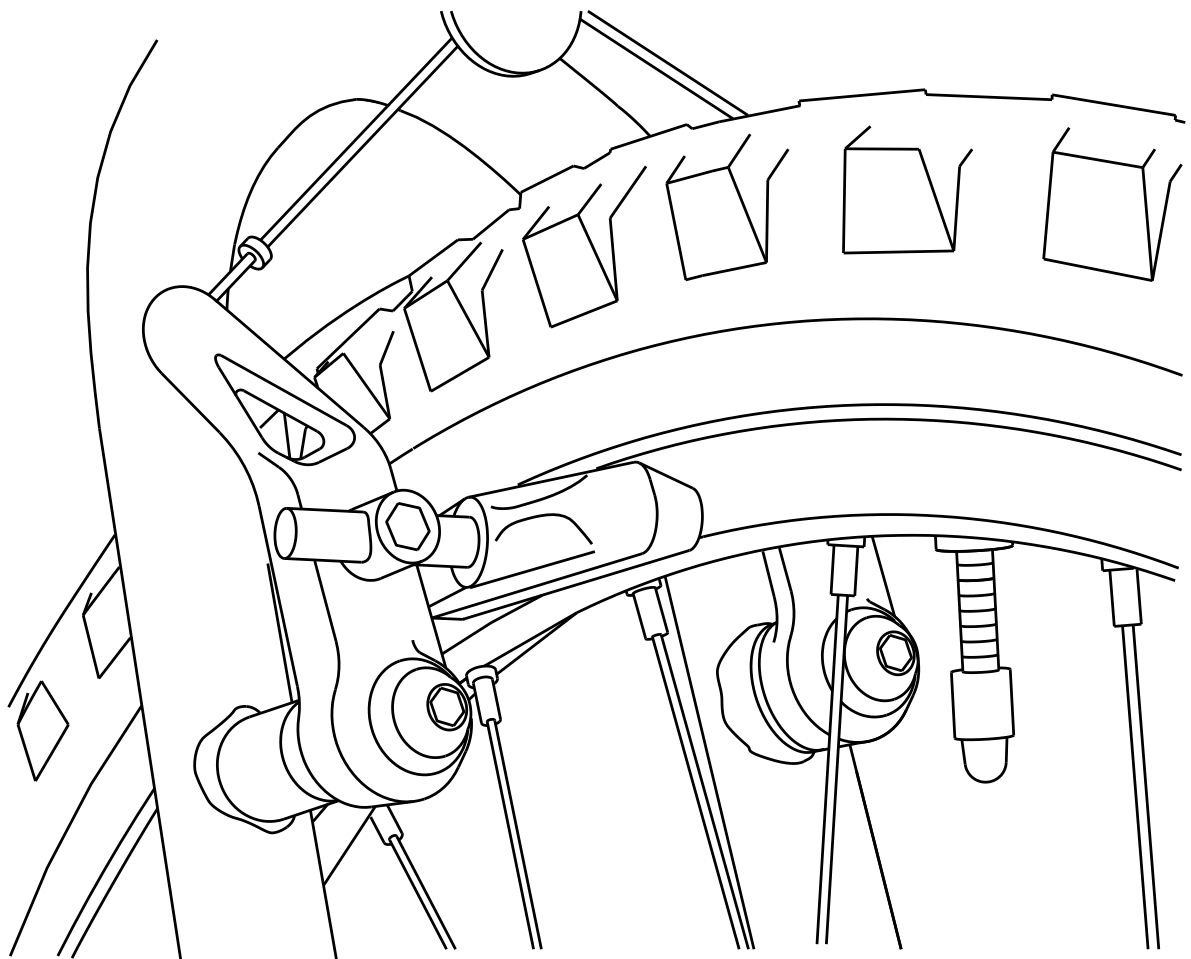
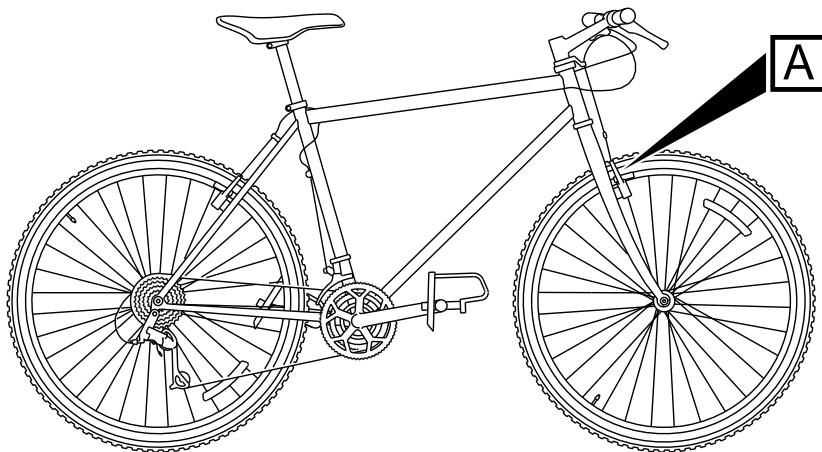
ICN-S1000DBIKE-AAA-DA10000-0-U8025-00537-A-03-1

Fig 1 Hydraulic brake function

2.2 Make sure that there is sufficient clearance between the pad and the inner diameter of the brake surface.

2.3 **CAUTION**

If the position of the pads is too low on the rim, as shown in Fig 2 , the pads can move. This could cause the separation of the spokes from their mountings., they could slip off causing the spokes to be torn out of their mountings.



**A**

ICN-S1000DBIKE-AAA-DA10000-0-U8025-00515-A-04-1

*Fig 2 Brake pad seating*

Produced by Docuneering Ltd

Applicable to: Mountain bicycle  
and (Mountain storm Mk1 or  
Brook trekker Mk9)

**S1000DBIKE-AAA-D00-00-00-00AA-121A-A**

- 
- Make sure that the pads are correctly installed in the center of the inner diameter of the brake surface.
- 3 Do a check of the tire pressure.
- 3.1 Do a check of the tire pressure with the [Tire pressure gauge](#) .
- 3.2 Compare the value you read with the recommended pressure that is shown into the sidewall of the tire.
- 3.3 Add the necessary air.
- 4 Examine the condition of the wheels.
- 4.1 Examine the rims for bulges and dents.
- 4.2 Examine for splits at the seam where an extruded rim is bonded.
- 5 Do a check of the headset bearings.
- 5.1 Straddle the bicycle.
- Apply the front brakes and push the handle bars forward.
- 5.2 Make sure that the headset bearings are tight.
- 6 Do the checks on the chain.
- 6.1 Visually examine the chain.
- If the chain is too dirty, clean it as specified in the clean chain task (refer to [S1000DBIKE-AAA-DA4-10-00-00AA-251B-A](#) ).
- 6.1.1 Visually examine the chain for links that are frozen or that do not move easily.
- 6.1.2 Apply the necessary [General lubricant](#).
- 6.2 Do a check of the chain to make sure that it is tight.
- 6.2.1 Make sure that the play of the chain is not too much.
- 6.2.1.1 Move the chain on the largest chain ring.
- 6.2.1.2 Try to pull the chain away from the front of the chain ring.
- Make sure that the chain is not loose. Tighten the chain if, when you pull it away from the chain ring, you can see a full tooth.
- 6.2.2 Tighten the chain with the Allen wrench from the [Specialist toolset](#).

### ***Requirements after job completion***

None

Intentionally left blank.

## Bicycle

### *Normal operation procedures (crew)*

#### Table of contents

	Page
Normal operation procedures (crew) .....	1
References .....	1

#### List of tables

1	References .....	1
2	Correlation of tire pressure and terrain .....	2

### *References*

*Table 1 References*

Data module / Technical publication	Title
None	

### *Pre-ride inspection*

#### **Brakes**

##### **Pads**

- 1 Pads..... Free of unwanted material
- 2 Pads..... Acceptable pad width
- 3 Pads..... Acceptable pad clearance

##### **Callipers**

- 1 Link Wire..... Firmly attached

##### **Levers**

- 1 Levers..... Approximately 1 inch of travel before engagement
- 2 Levers..... Space between lever and handlebar when fully pulled

##### **Cables**

- 1 Cables..... No cuts or fraying

**Tires**

- 1 Pressure..... *Table 2 Correlation of tire pressure and terrain*

Tire Pressures	Min	Max
Off Road	35lbs	40lbs
On Road	55lbs	60lbs

- 2 Tires..... No cracks or splits

**Wheels**

- 1 Wheels..... No loose bearings

- 2 Wheels..... True

- 3 Spokes..... Not broken

*If: Spokes not broken*

- 4 Spokes..... Tight

- 5 Axle Nuts..... Tight

**Headset**

- 1 Headset bearings..... Tight

**Chain**

- 1 Links..... Easy movement of links

**Handlebar**

**WARNING**

**Do not ride with a cracked stem**

*If: Stem cracked*

- 1 Procedure  
Replace stem

*Else if: Stem is loose*

- 1 Procedure  
Tighten stem

*If: Handlebars twist in stem*

- 2 Procedure  
Tighten clamp bolt

**Computer**

- 1 Computer Display.....
 

ALTITUDE	0 miles
SPEED	0 mph
DISTANCE	0 miles

SPEED 0 mph

DISTANCE 0 miles

Intentionally left blank.



## Bicycle

### *Post-operation procedures (crew)*

#### Table of contents

	Page
Post-operation procedures (crew) .....	1
References .....	1
Preliminary requirements .....	1
Procedure .....	2

#### List of tables

1	References .....	1
2	Required conditions .....	1
3	Support equipment .....	1
4	Consumables, materials and expendables .....	2
5	Spares .....	2

### *References*

*Table 1 References*

Data module / Technical publication	Title
None	

### *Preliminary requirements*

#### Required conditions

*Table 2 Required conditions*

Action / Condition	Data module / Technical publication
None	

#### Support equipment

*Table 3 Support equipment*

Name	Manufacturer / Part No.	Quantity	Remark
Specialist toolset	MFR: KZ666 /PN: BSK-TLST-001	1 EA	

Produced by Docuneering Ltd

Applicable to: Mountain bicycle  
and (Mountain storm Mk1 or  
Brook trekker Mk9)

**S1000DBIKE-AAA-D00-00-00-00AA-151A-A**

## Consumables, materials and expendables

*Table 4 Consumables, materials and expendables*

Name	Manufacturer / Part No.	Quantity	Remark
General lubricant	MFR: KZ222 /PN: LL-001	As required	

## Spares

*Table 5 Spares*

Name	Manufacturer / Part No.	Quantity	Remark
None			

## Safety conditions

None

## Procedure

- 1 Clean the bicycle.
  - 1.1 Clean the bicycle with water.
  - 1.2 Use the brush from the [Specialist toolset](#) to clean the brakes, the shift levers, the sprockets and the tires.
  - 1.3 Let the bicycle dry.
- 2 Lubricate the bicycle
  - 2.1 Spray the [General lubricant](#), to these moving parts:
    - the brake pivots
    - the derailleur pivots
    - the derailleur tension guides
    - the brake lever pivots
    - the control cables
    - the gear sprockets
    - the chain
  - 2.2 Remove the lubricant which is more than the necessary.

## Requirements after job completion

None

## Bicycle

### *Other procedures to clean*

#### Table of contents

	Page
Other procedures to clean .....	1
References .....	1
Preliminary requirements .....	1
Procedure .....	3

#### List of tables

1	References .....	1
2	Required conditions .....	1
3	Required persons .....	2
4	Support equipment .....	2
5	Consumables, materials and expendables .....	2
6	Spares .....	2

#### List of figures

1	Cleaning the bike .....	4
2	Degreasing the freehub .....	5

### **References**

*Table 1 References*

Data module / Technical publication	Title
<a href="#">S1000DBIKE-AAA-DA4-10-00-00AA-241A-A</a>	Chain – Oil

### ***Preliminary requirements***

#### Required conditions

*Table 2 Required conditions*

Action / Condition	Data module / Technical publication
The bicycle is outdoors	

## Required persons

Table 3 Required persons

Persons	Category	Skill level	Trade/Trade code	Estimated time
Man A	Chemical technician	Intermediate	Bike cleaner	1,0 h
Man B	Operator	Intermediate	Bike rider	1,0 h

## Support equipment

Table 4 Support equipment

Name	Manufacturer / Part No.	Quantity	Remark
Water hose	MFR: KZ666 /PN: BSK-TLST-001-09	1 EA	
Stiff bristle brush	MFR: KZ666 /PN: BSK-TLST-001-02	1 EA	
Sponge	MFR: KZ666 /PN: BSK-TLST-001-11	1 EA	

## Consumables, materials and expendables

Table 5 Consumables, materials and expendables

Name	Manufacturer / Part No.	Quantity	Remark
Degreasing agent	MFR: KZ222 /PN: LL-004	1 L	
Detergent A	MFR: KZ666 /PN: BSK-TLST-023-14	1 L	
<b>Applicable to:</b> Mountain bicycle Brook trekker Mk9			
Detergent B	MFR: KZ666 /PN: BSK-TLST-001-15	1 L	

## Spares

Table 6 Spares

Name	Manufacturer / Part No.	Quantity	Remark
None			

## Safety conditions

### **WARNING**

**Do not get Detergent A into your eyes. If it gets into your eyes, wash them immediately in clean warm water.**

---

## WARNING

Do not get **Detergent B** into your eyes. If it gets into your eyes, wash them immediately in clean warm water.

## CAUTION

Do not use a **Water hose** that has high pressure. A water hose that has high pressure can cause some parts to become loose or full of water.

## CAUTION

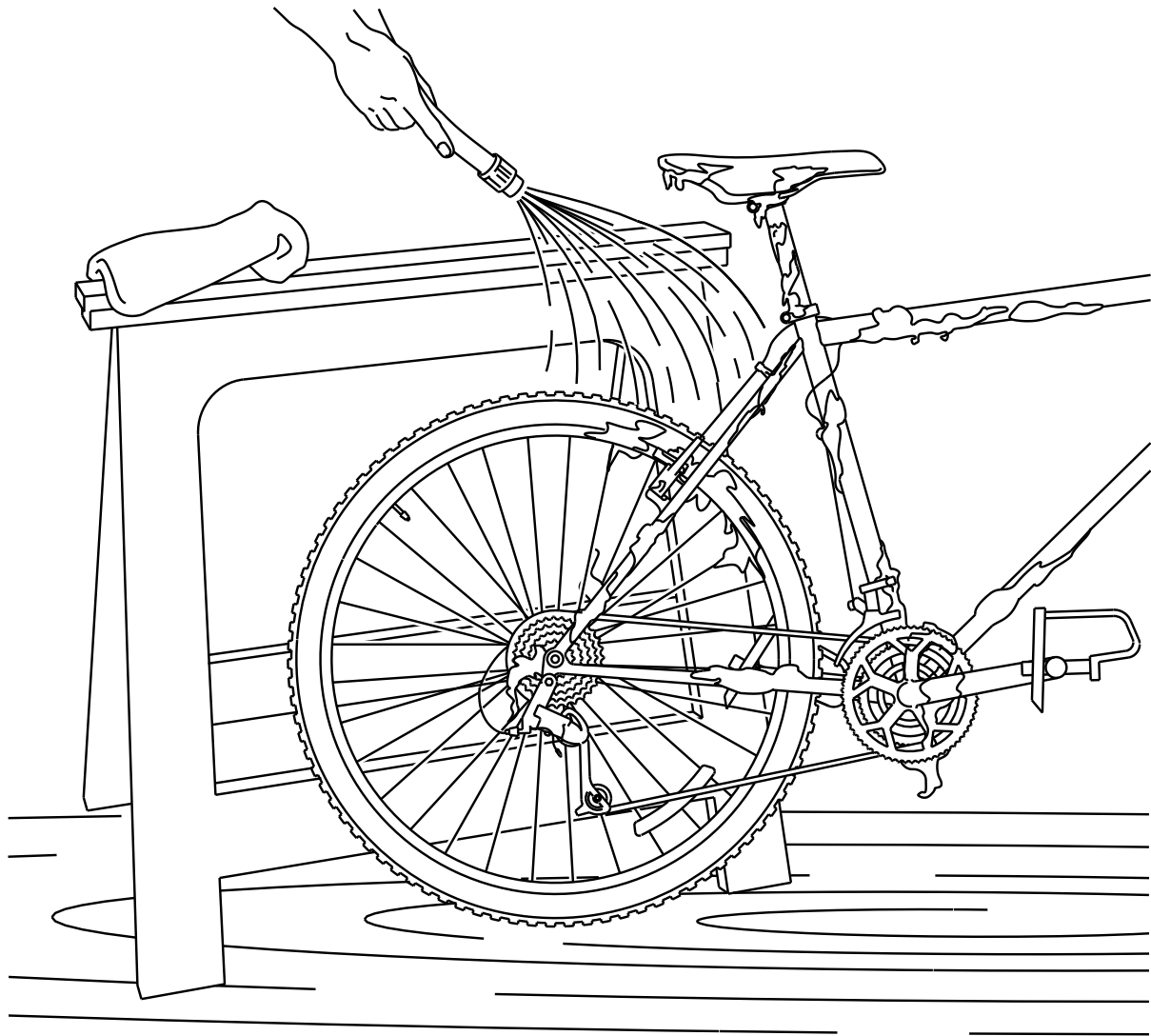
Do not point the hose directly at the hub or at the bottom bracket bearings. This can cause damage to the parts.

## CAUTION

Apply **Detergent B** in accordance with the instruction on the container. The substance may cause damage to the Bike paint if it is not applied correctly.

## *Procedure*

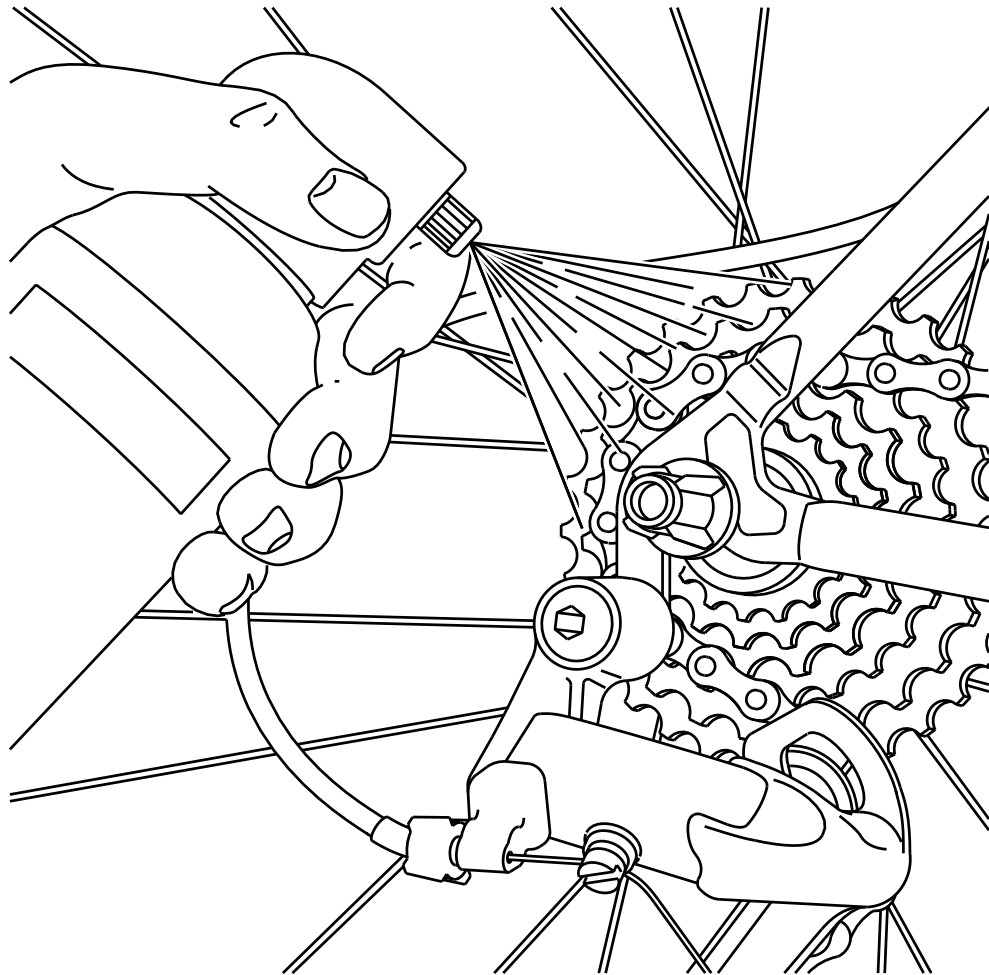
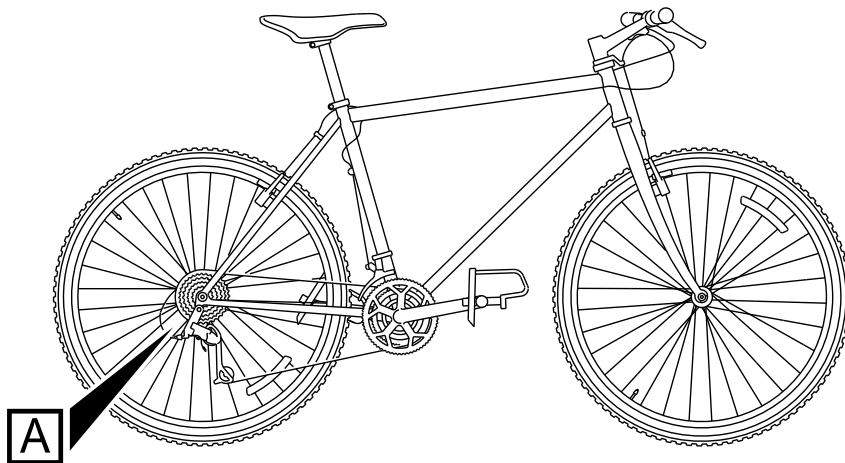
- 1 Clean the bicycle with water to remove all dirt. Refer to [Fig 1](#).



ICN-S1000DBIKE-AAA-D000000-0-U8025-00502-A-04-1

Fig 1 Cleaning the bike

- 2 Use a [Stiff bristle brush](#) to get access to areas that are not easy to clean. These are the shift levers, the knobby tires, and the brakes.
- 3 Clean the caked grime from the chain and the sprockets with a screwdriver that has a small blade.
- 4 Remove the grease from the freewheel assembly with the [Degreasing agent](#) as shown in [Fig 2](#) . Use a brush to remove the grease from these parts:
  - sprockets
  - guide and tension wheels of the derailleur
  - chain ring teeth



**A**

ICN-S1000DBIKE-AAA-DA52000-0-U8025-00523-A-04-1

*Fig 2 Degreasing the freehub*

---

5 Flush the sprockets, the derailleurs, the chain rings and the chain with water.

**NOTE**

If necessary, do the flush procedure again.

**Applicable to:** Mountain bicycle Mountain storm Mk1

6

6.1 Soak the [Sponge](#) into [Detergent A](#) and water.

6.2 Clean the bicycle with the soaked sponge.

6.3 Flush the bicycle and make sure that all [Detergent A](#) is removed.

6.4 Move the bicycle up and down on its tires to remove all water.

**Applicable to:** Mountain bicycle Brook trekker Mk9

7

7.1 Soak the [Sponge](#) into [Detergent B](#) and water.

7.2 Clean the bicycle with the soaked sponge.

7.3 Soak the [Sponge](#) into [Detergent A](#) and water.

7.4 Fully clean the bicycle with the soaked sponge.

7.5 Flush the bicycle to make sure that all detergents are removed.

7.6 Move the bicycle up and down on its tires to remove all water.

8 Lubricate the bicycle (refer to [S1000DBIKE-AAA-DA4-10-00-00AA-241A-A](#)).

### **Requirements after job completion**

1 Make sure the bicycle is dry



## Bicycle

### *Place on test stand*

#### Table of contents

	Page
Place on test stand .....	1
References .....	1
Preliminary requirements .....	1
Procedure .....	2

#### List of tables

1	References .....	1
2	Required conditions .....	1
3	Required persons .....	1
4	Support equipment .....	2
5	Consumables, materials and expendables .....	2
6	Spares .....	2

### *References*

*Table 1 References*

Data module / Technical publication	Title
None	

### *Preliminary requirements*

#### Required conditions

*Table 2 Required conditions*

Action / Condition	Data module / Technical publication
None	

#### Required persons

*Table 3 Required persons*

Persons	Category	Skill level	Trade/Trade code	Estimated time
Man A	Basic user		Operator	0,25 h

## Support equipment

*Table 4 Support equipment*

Name	Manufacturer / Part No.	Quantity	Remark
Test stand	MFR: KZ666 /PN: BSK-TLST-999-01	1 EA	

## Consumables, materials and expendables

*Table 5 Consumables, materials and expendables*

Name	Manufacturer / Part No.	Quantity	Remark
None			

## Spares

*Table 6 Spares*

Name	Manufacturer / Part No.	Quantity	Remark
None			

## Safety conditions

None

### ***Procedure***

- 1 Ensure [Test stand](#) is level.
- 2 Place bicycle on the test stand.
- 3 Tighten clamps until bicycle is securely attached to the test stand.

### ***Requirements after job completion***

None

## Bicycle

### *Standard repair procedures*

#### Table of contents

	Page
Standard repair procedures .....	1
References .....	1
Preliminary requirements .....	1
Procedure .....	2

#### List of tables

1	References .....	1
2	Required conditions .....	1
3	Required persons .....	2
4	Support equipment .....	2
5	Consumables, materials and expendables .....	2
6	Spares .....	2

#### List of figures

1	Unseating the tire with a tire lever .....	4
2	Circle leak .....	6
3	Sanding the application area .....	8
4	Apply glue to application area .....	10
5	Apply pressure to tube .....	12

### **References**

*Table 1 References*

Data module / Technical publication	Title
<a href="#">S1000DBIKE-AAA-DA0-20-00-00AA-520A-A</a>	Rear wheel – Remove procedures

### ***Preliminary requirements***

#### **Required conditions**

*Table 2 Required conditions*

Action / Condition	Data module / Technical publication
None	

Applicable to: Mountain bicycle  
and (Mountain storm Mk1 or  
Brook trekker Mk9)

**S1000DBIKE-AAA-D00-00-00-00AA-663A-A**

## Required persons

Table 3 Required persons

Persons	Category	Skill level	Trade/Trade code	Estimated time
Man A	Operator	Basic	Bike rider	0,5 h

## Support equipment

Table 4 Support equipment

Name	Manufacturer / Part No.	Quantity	Remark
Tire lever	MFR: KZ666 /PN: BSK-TLST-001-04	1 EA	
Foot pump	MFR: KZ666 /PN: BSK-TLST-001-05	1 EA	
Marker pen	MFR: KZ666 /PN: BSK-TLST-001-07	1 EA	
Tube patch kit	MFR: KZ666 /PN: BSK-TLST-001-07	1 EA	

## Consumables, materials and expendables

Table 5 Consumables, materials and expendables

Name	Manufacturer / Part No.	Quantity	Remark
None			

## Spares

Table 6 Spares

Name	Manufacturer / Part No.	Quantity	Remark
Inner-tube	MFR: KT222 /PN: IT-001	1 EA	

## Safety conditions

### CAUTION

When you remove the rear wheel to repair a puncture, disconnect the brake arm from the chain stay.

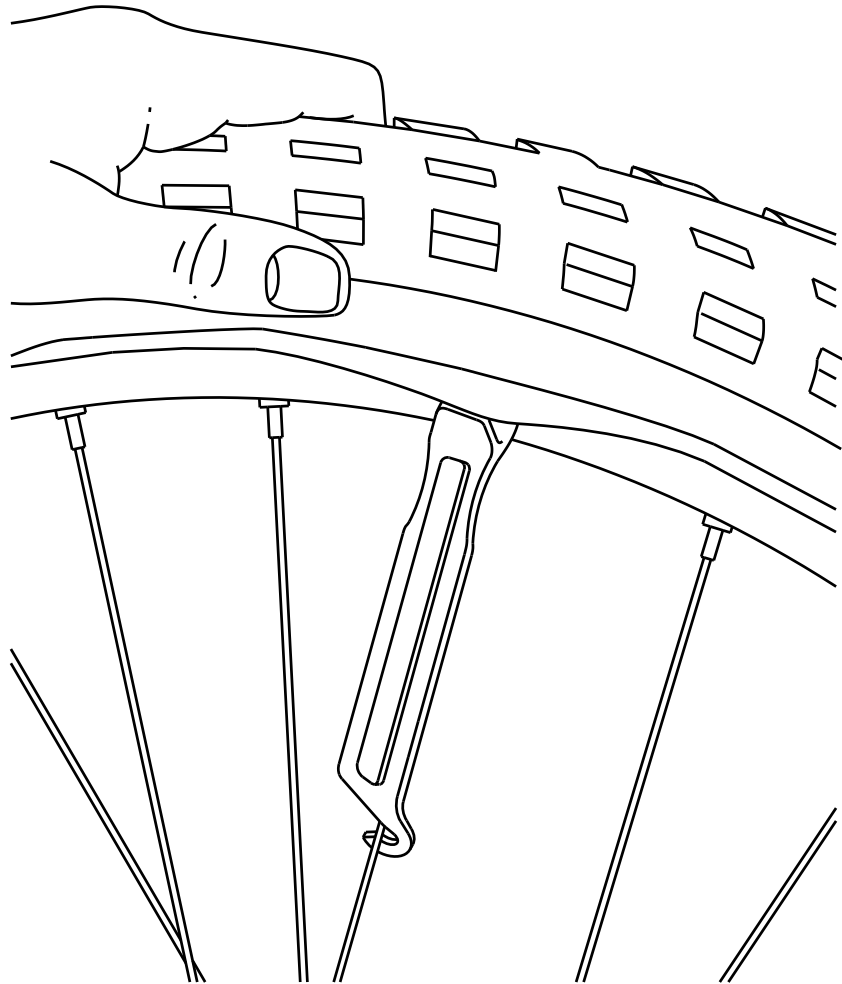
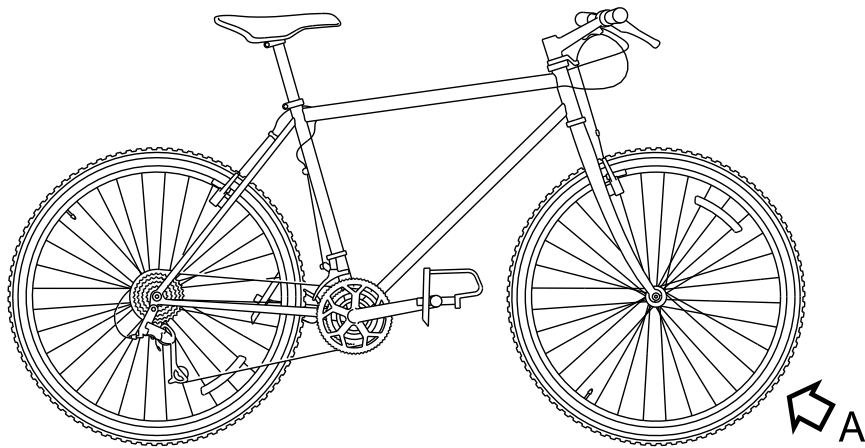
### Procedure

- 1 Remove the rear wheel. (Refer to [S1000DBIKE-AAA-DA0-20-00-00AA-520A-A](#))
- 2 Make sure that there is no air in the tube.
  - 2.1 Loosen the cap on the valve stem.

Applicable to: Mountain bicycle  
and (Mountain storm Mk1 or  
Brook trekker Mk9)

S1000DBIKE-AAA-D00-00-00-00AA-663A-A

- 
- 2.2 Push the valve stem core down to bleed all the air.
  - 3 Use a [Tire lever](#) to move the tire bead out of its seat. Lift the tire bead above the lip of the rim.

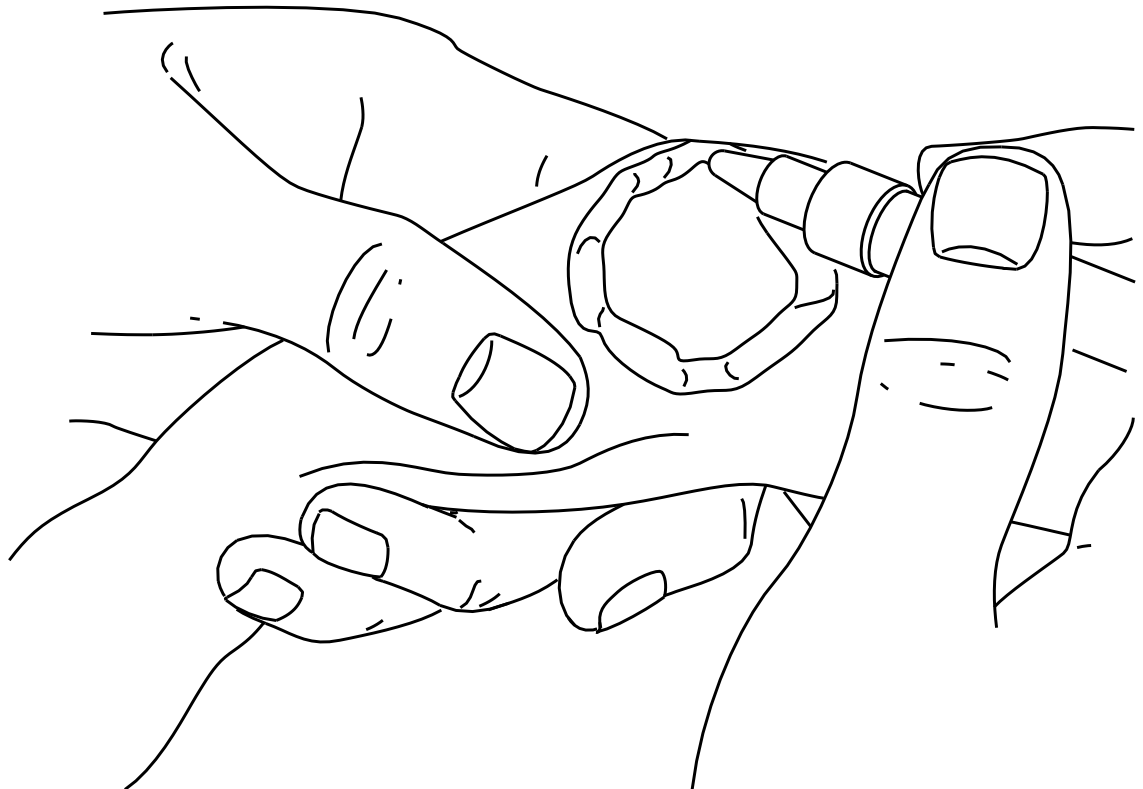
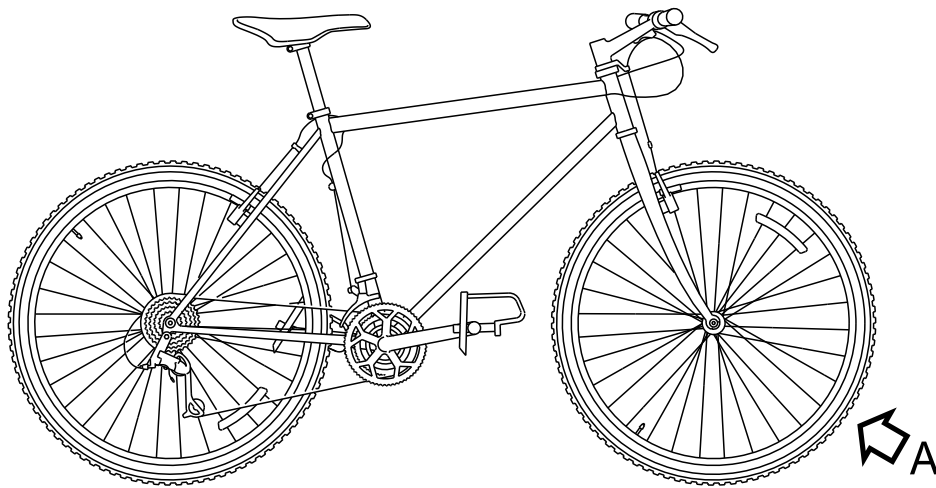


A

ICN-S1000DBIKE-AAA-DA00000-0-U8025-00506-A-04-1

Fig 1 Unseating the tire with a tire lever

- 
- 4 Remove the tube.
  - 5 Inflate (not fully) the tube with the [Foot pump](#). Examine the tube for leaks.
  - 6 If you find a leak, identify it with a circle made with a [Marker pen](#).



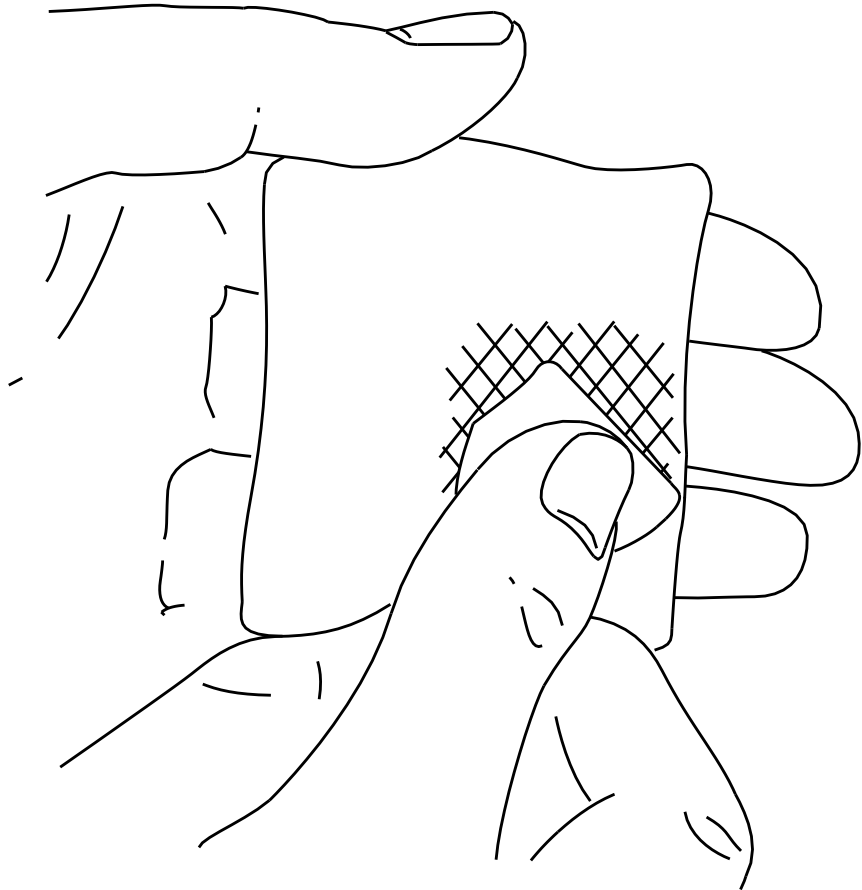
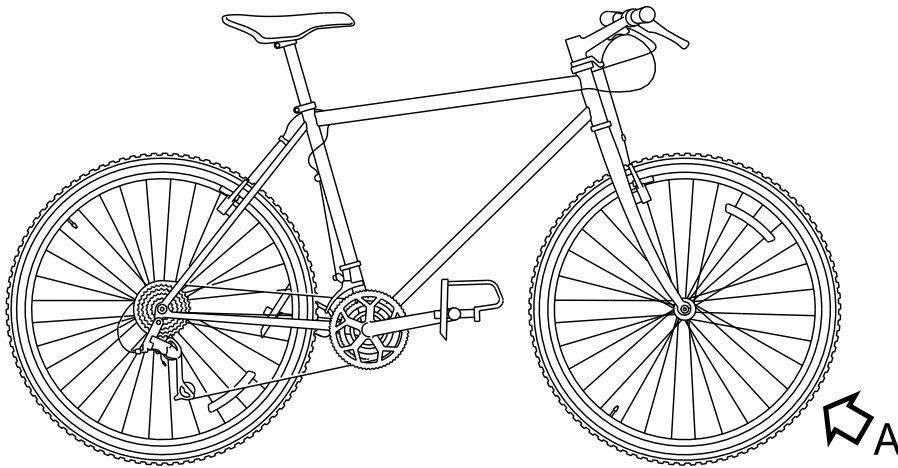
**A**

ICN-S1000DBIKE-AAA-DA01010-0-U8025-00508-A-04-1

Fig 2 Circle leak



- 
- 7 Release most of the air.
  - 8 Use a piece of sandpaper from the [Tube patch kit](#) and make the area on and around the hole rough. This will help the patch bond correctly.



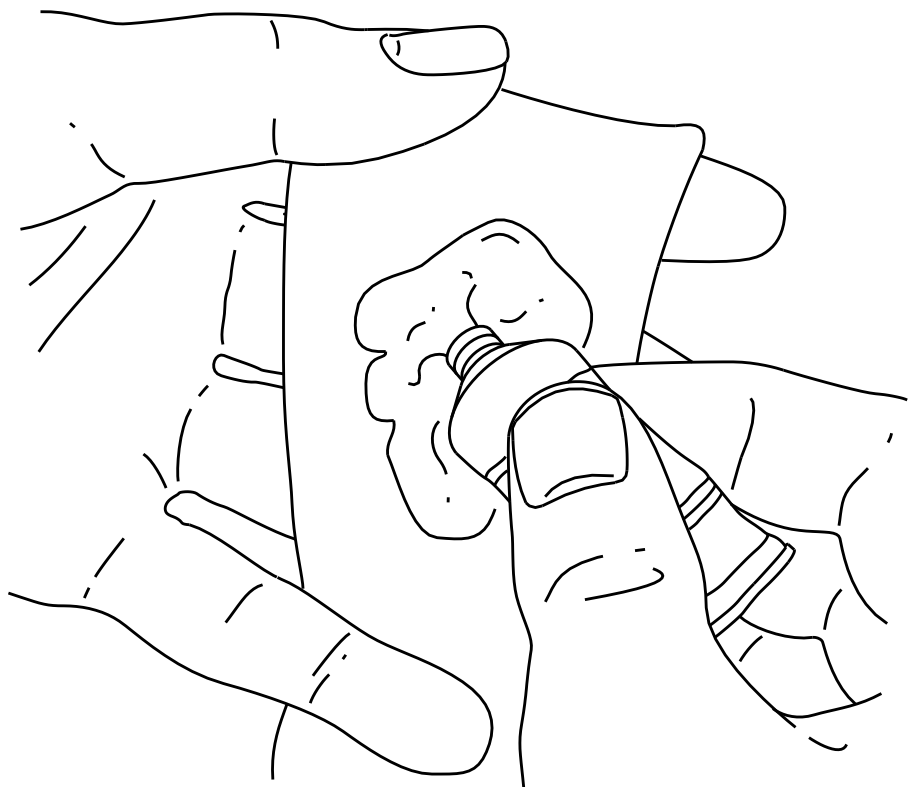
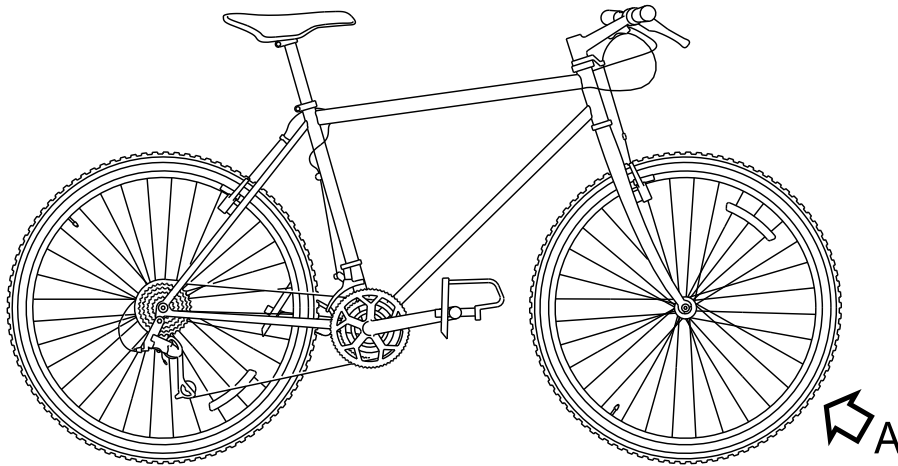
**A**

ICN-S1000DBIKE-AAA-DA01010-0-U8025-00509-A-04-1

*Fig 3 Sanding the application area*

Produced by Docuneering Ltd

- 
- 9      Apply a thin layer of glue from the patch kit on and around the hole. Make sure that the area with the glue is larger than the patch.



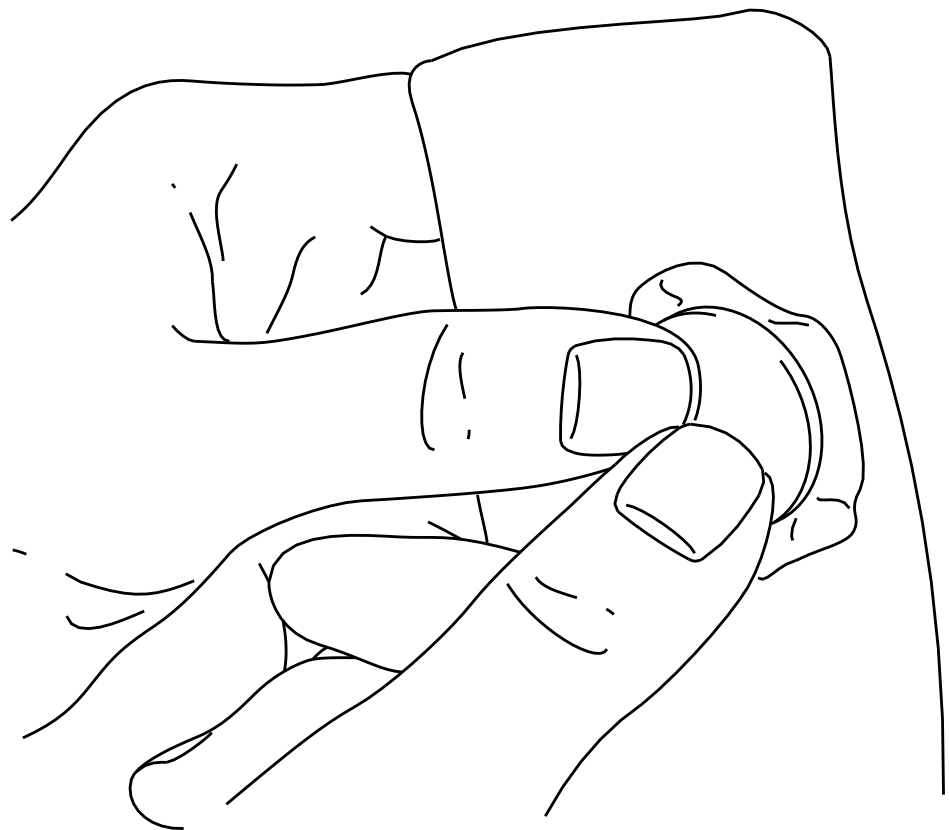
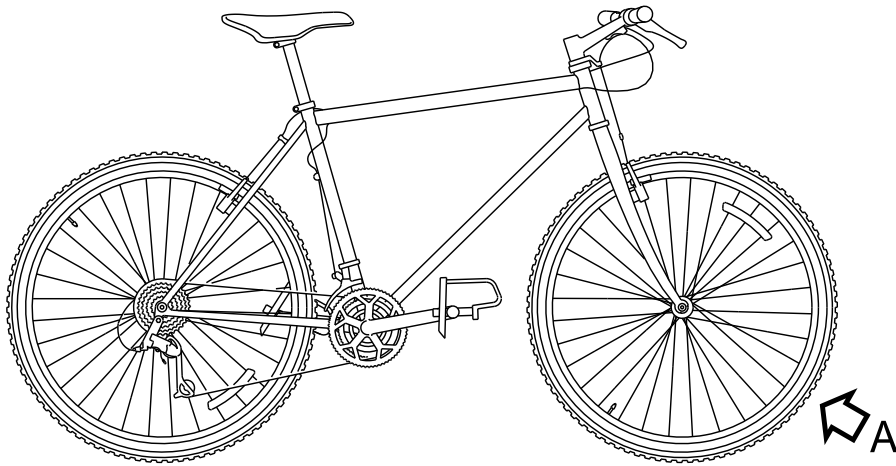
A

ICN-S1000DBIKE-AAA-DA01010-0-U8025-00510-A-04-1

Fig 4 Apply glue to application area

Produced by Docuneering Ltd

- 
- 10 Let the glue dry for five minutes until it becomes tacky and dim.
  - 11 Remove the rear foil from the patch (that is a part of the patch kit) and push the patch in its position.
  - 12 Push with your thumbs from the center of the patch to the outer part of the applied area.



A

ICN-S1000DBIKE-AAA-DA01010-0-U8025-00511-A-04-1

Fig 5 Apply pressure to tube

- 
- 13 Remove the thin cover from the patch.
  - 14 Put a very thin layer of talcum powder on and around the patch.
  - 15 Inflate (not fully) the repaired tube with the foot pump.
  - 16 Start at the valve stem and install the tube again between the tire and the rim.
  - 17 Push the valve stem through the hole in the rim.
  - 18 Make sure that the valve stem is straight.
  - 19 Install the remaining of the tire.

### ***Requirements after job completion***

None

Intentionally left blank.



---

**Bicycle**

***Illustrated Parts Data - IPD***

**Table of contents**

	Page
Illustrated Parts Data - IPD .....	1
References .....	1

**List of tables**

1	References .....	1
---	------------------	---

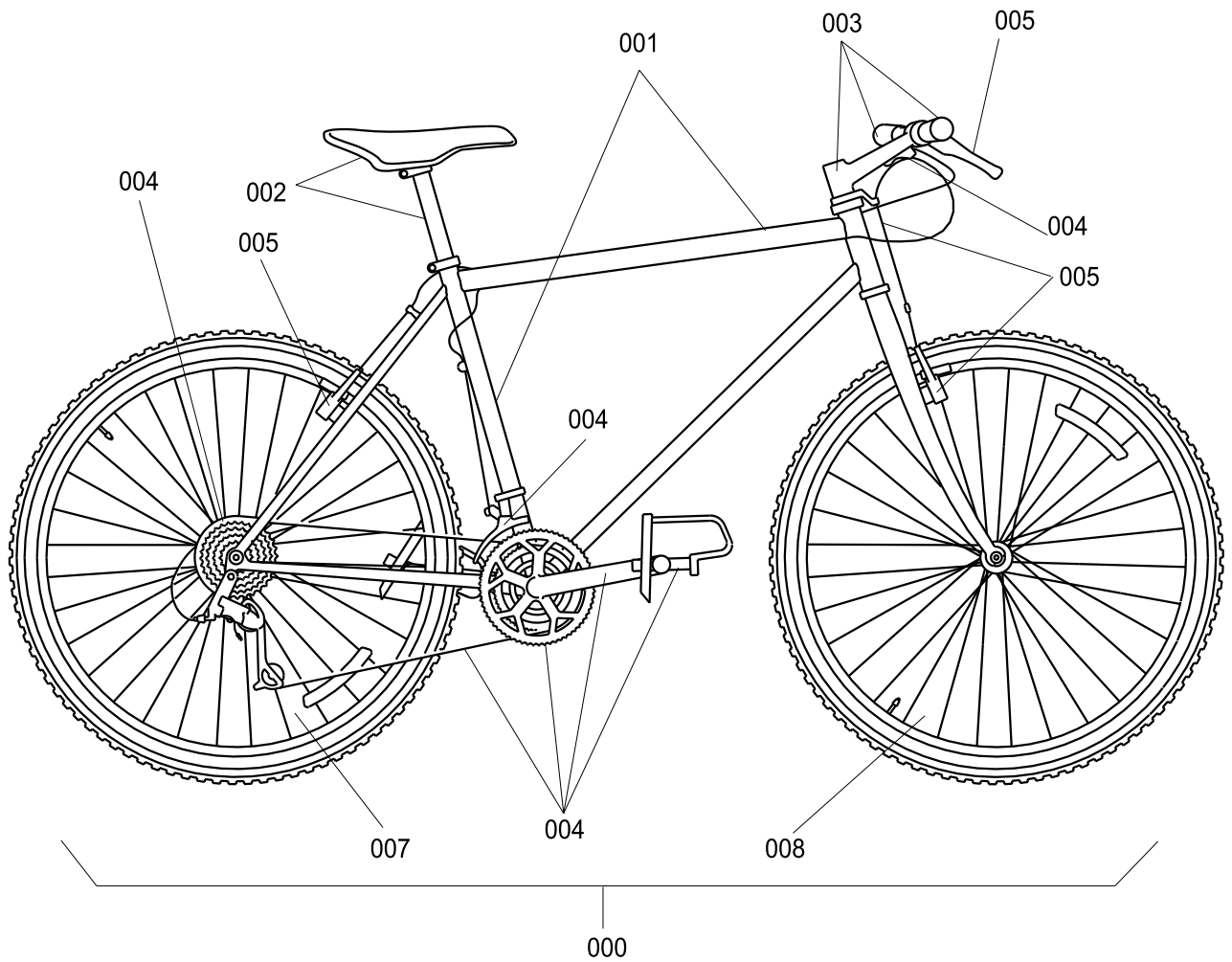
**List of figures**

1	Bicycle .....	2
---	---------------	---

***References***

*Table 1 References*

<b>Data module / Technical publication</b>	<b>Title</b>
None	



ICN-S1000DBIKE-AAA-D000000-0-U8025-00536-B-04-1  
*Fig 1 Bicycle*

Produced by Docuneering Ltd

## Initial provisioning project information

IPP number: .....KZ9990001  
 IPP subject: .....BICYCLE  
 IPP file identifier: .....s

Fig	Item	Units per assembly / Unit of issue	NCAGE	Part No. NATO Stock No.	Description	* Usable on ICY code assy • MV/Effect
1/A						
	0	REF	KZ999	BICYCLE-001	Bicycle	• MB
	1	1 EA	KZ999	BICYCLE-001/1	• Frame assembly	• MB
	2	1 EA	KZ999	BICYCLE-001/2A	•• Seat, assembly	• MB
	2	1 EA	KZ999	BICYCLE-001/2B	•• Cruiser Seat, assembly	• MB
	3	1 EA	KZ999	BICYCLE-001/3	•• Steering system	• MB
	4	1 EA	KZ999	BICYCLE-001/4	•• Drive train system	• MB
	5	1 EA	KZ999	BICYCLE-001/5	•• Brake sub-system	• MB
	6	1 EA	KZ777	LRU1001	•• Light system	• MB
	7	1 EA	KZ888	WH-001	•• Wheel, assembly rear	• MB
	8	1 EA	KZ888	WH-002	•• Wheel, assembly front	• MB
	9	1 EA	KZ888	CP-001	•• Computer	• MB

Intentionally left blank.

## Bicycle

### *Time limits*

#### Table of contents

	Page
Time limits .....	1
References .....	1
Time limits .....	1

#### List of tables

1	References .....	1
---	------------------	---

### *References*

*Table 1 References*

Data module / Technical publication	Title
None	

### *Time limits*

Ident	Equipment	Qty	Time limits	Applicability
001	Bicycle MFR: KZ555 /PN: Bicycle-001	1 EA	Category: Cat Type: Functional check 1 Day ± 1 Category: Cat Type: On condition 1 Day	Mountain bicycle Mountain storm Brook trekker Mk1 Mk9
002	Brake pads MFR: KT444 /PN: BR- PADS-001	4 EA	Category: Cat Type: On condition 1 Month	Mountain bicycle Mountain storm Brook trekker Mk1 Mk9
003	Chain MFR: KZ555 /PN: Ch-001		Type: On condition 1 Month	Mountain bicycle Mountain storm Brook trekker Mk1 Mk9
004	Hub bearings MFR: KZ555 /PN: HB-001	2 EA	Category: Cat Type: Check maintenance 6 Month ± 1	Mountain bicycle Mountain storm Brook trekker Mk1 Mk9

Produced by Docuneering Ltd

Applicable to: Mountain bicycle  
and (Mountain storm Mk1 or  
Brook trekker Mk9)

**S1000DBIKE-AAA-D05-10-00-00AA-000A-A**

**End of data module**

UNCLASSIFIED

2003-12-31 Page 1

Intentionally left blank.

## Bicycle

### *Scheduled maintenance lists*

#### List of tasks

Task ident	Description
001	To do the pre-ride checks
002	To do the post-ride maintenance
003	Clean brake pads
004	Clean the chain
005	Clean the hub bearings

#### Table of contents

	Page
Scheduled maintenance lists .....	1
References .....	2
Task ident: 001 .....	2
Task ident: 002 .....	4
Task ident: 003 .....	6
Task ident: 004 .....	8
Task ident: 005 .....	10

#### List of tables

1	References .....	2
2	Required conditions .....	2
3	Required persons .....	2
4	Support equipment .....	2
5	Consumables, materials and expendables .....	3
6	Spares .....	3
7	Required conditions .....	4
8	Required persons .....	4
9	Support equipment .....	4
10	Consumables, materials and expendables .....	4
11	Spares .....	4
12	Required conditions .....	6
13	Required persons .....	6
14	Support equipment .....	6
15	Consumables, materials and expendables .....	6
16	Spares .....	6
17	Required conditions .....	8
18	Required persons .....	8
19	Support equipment .....	8
20	Consumables, materials and expendables .....	8
21	Spares .....	8
22	Required conditions .....	10
23	Required persons .....	10

## List of tables (Continued)

24	Support equipment .....	10
25	Consumables, materials and expendables .....	10
26	Spares .....	10

## References

Table 1 References

Data module / Technical publication	Title
<a href="#">S1000DBIKE-AAA-D00-00-00-00AA-121A-A</a>	Bicycle – Pre-operation procedures (crew)
<a href="#">S1000DBIKE-AAA-D00-00-00-00AA-151A-A</a>	Bicycle – Post-operation procedures (crew)
<a href="#">S1000DBIKE-AAA-DA1-10-00-00AA-251A-A</a>	Brake pads – Clean with rubbing alcohol
<a href="#">S1000DBIKE-AAA-DA4-10-00-00AA-251B-A</a>	Chain – Clean with chain cleaning fluid
<a href="#">S1000DBIKE-AAA-DA0-20-00-00AA-520A-A</a>	Rear wheel – Remove procedures

## Task ident: 001

Worthiness limitation:..... Recommended  
 Task description:..... To do the pre-ride checks

## Preliminary requirements

## Required conditions

Table 2 Required conditions

Action / Condition	Data module / Technical publication
None	

## Required persons

Table 3 Required persons

Persons	Category	Skill level	Trade/Trade code	Estimated time
Man A	Basic user		Operator	0,25 h

## Support equipment

Table 4 Support equipment

Name	Manufacturer / Part No.	Quantity	Remark
Tire pressure gauge	MFR: KZ666 /PN: BSK-TLST-001-01	1 EA	

Applicable to: Mountain bicycle  
 and (Mountain storm Mk1 or  
 Brook trekker Mk9)

**S1000DBIKE-AAA-D05-20-00-00AA-000A-A**



*Table 4 Support equipment (Continued)*

Name	Manufacturer / Part No.	Quantity	Remark
Specialist toolset	MFR: KZ666 /PN: BSK-TLST-001	1 EA	

## Consumables, materials and expendables

*Table 5 Consumables, materials and expendables*

Name	Manufacturer / Part No.	Quantity	Remark
General lubricant	MFR: KZ222 /PN: LL-001	As required	

## Spares

*Table 6 Spares*

Name	Manufacturer / Part No.	Quantity	Remark
None			

## Safety conditions

None

## References

[S1000DBIKE-AAA-D00-00-00AA-121A-A](#)

## Equipment

- Bicycle  
MFR: KZ555 /PN: Bicycle-001

## Limit

Perform once  
1 Day ± 1  
Inspection type: Daily

## Applicability

Mountain bicycle

## Task ident: 002

Worthiness limitation:..... Recommended

Task description:..... To do the post-ride maintenance

### *Preliminary requirements*

## Required conditions

*Table 7 Required conditions*

Action / Condition	Data module / Technical publication
None	

## Required persons

*Table 8 Required persons*

Persons	Category	Skill level	Trade/Trade code	Estimated time
Man A	Basic user		Operator	0,25 h

## Support equipment

*Table 9 Support equipment*

Name	Manufacturer / Part No.	Quantity	Remark
Specialist toolset	MFR: KZ666 /PN: BSK-TLST-001	1 EA	

## Consumables, materials and expendables

*Table 10 Consumables, materials and expendables*

Name	Manufacturer / Part No.	Quantity	Remark
General lubricant	MFR: KZ222 /PN: LL-001	As required	

## Spares

*Table 11 Spares*

Name	Manufacturer / Part No.	Quantity	Remark
None			

## Safety conditions

None

Applicable to: Mountain bicycle  
and (Mountain storm Mk1 or  
Brook trekker Mk9)

S1000DBIKE-AAA-D05-20-00-00AA-000A-A

## References

[S1000DBIKE-AAA-D00-00-00-00AA-151A-A](#)

## Equipment

- Bicycle  
MFR: KZ555 /PN: Bicycle-001

## Limit

Perform periodically  
Condition: Dirty  
1 Day ± 1  
Inspection type: Daily

## Applicability

Mountain bicycle

## Task ident: 003

Worthiness limitation:..... Recommended  
 Task description:..... Clean brake pads

### *Preliminary requirements*

## Required conditions

*Table 12 Required conditions*

Action / Condition	Data module / Technical publication
None	

## Required persons

*Table 13 Required persons*

Persons	Category	Skill level	Trade/Trade code	Estimated time
Man A	Basic user		Operator	0,25 h

## Support equipment

*Table 14 Support equipment*

Name	Manufacturer / Part No.	Quantity	Remark
None			

## Consumables, materials and expendables

*Table 15 Consumables, materials and expendables*

Name	Manufacturer / Part No.	Quantity	Remark
Rubbing alcohol	MFR: KZ222 /PN: LL-002	As required	

## Spares

*Table 16 Spares*

Name	Manufacturer / Part No.	Quantity	Remark
None			

## Safety conditions

None

Applicable to: Mountain bicycle  
 and (Mountain storm Mk1 or  
 Brook trekker Mk9)

S1000DBIKE-AAA-D05-20-00-00AA-000A-A

## References

[S1000DBIKE-AAA-DA1-10-00-00AA-251A-A](#)

## Equipment

- Brake pads  
MFR: KT444 /PN: BR-PADS-001

## Limit

Perform periodically  
Inspection type: Monthly  
Limit range:  
from: 1 Month  
to: 1 Month

## Applicability

Mountain bicycle

## Task ident: 004

Worthiness limitation:..... Recommended  
 Task description:..... Clean the chain

### *Preliminary requirements*

## Required conditions

*Table 17 Required conditions*

Action / Condition	Data module / Technical publication
None	

## Required persons

*Table 18 Required persons*

Persons	Category	Skill level	Trade/Trade code	Estimated time
Man A	Basic user		Operator	0,25 h

## Support equipment

*Table 19 Support equipment*

Name	Manufacturer / Part No.	Quantity	Remark
Stiff bristle brush	MFR: KZ666 /PN: BSK-TLST-001-02	1 EA	
Chain cleaning fluid	MFR: KZ222 /PN: LL-003	As required	
Chain cleaning tool	MFR: KZ666 /PN: BSK-TLST-001-03	1 EA	

## Consumables, materials and expendables

*Table 20 Consumables, materials and expendables*

Name	Manufacturer / Part No.	Quantity	Remark
Floor covering	MFR: /PN:	As required	
General lubricant	MFR: KZ222 /PN: LL-001	As required	

## Spares

*Table 21 Spares*

Name	Manufacturer / Part No.	Quantity	Remark
None			

Applicable to: Mountain bicycle  
 and (Mountain storm Mk1 or  
 Brook trekker Mk9)

S1000DBIKE-AAA-D05-20-00-00AA-000A-A

## Safety conditions

None

## References

[S1000DBIKE-AAA-DA4-10-00-00AA-251B-A](#)

[S1000DBIKE-AAA-D00-00-00-00AA-121A-A](#)

## Equipment

- Chain  
MFR: KZ555 /PN: Ch-001

## Limit

Perform periodically

Condition: Dirty

1 Month

Inspection type: Monthly

Trigger event

[S1000DBIKE-AAA-D00-00-00-00AA-121A-A](#)

## Task ident: 005

Worthiness limitation:..... Recommended  
 Task description:..... Clean the hub bearings

### Preliminary requirements

## Required conditions

Table 22 Required conditions

Action / Condition	Data module / Technical publication
Rear wheel removed	

## Required persons

Table 23 Required persons

Persons	Category	Skill level	Trade/Trade code	Estimated time
Man B	Supervisor	Advanced	Bicycle mechanic	0,75 h
Man A	Basic user		Operator	0,25 h

## Support equipment

Table 24 Support equipment

Name	Manufacturer / Part No.	Quantity	Remark
Specialist toolset	MFR: KZ666 /PN: BSK-TLST-001	1 EA	

## Consumables, materials and expendables

Table 25 Consumables, materials and expendables

Name	Manufacturer / Part No.	Quantity	Remark
Degreasing agent	MFR: KZ222 /PN: LL-004	As required	
General grease	MFR: KZ222 /PN: LL-005	As required	

## Spares

Table 26 Spares

Name	Manufacturer / Part No.	Quantity	Remark
None			

Produced by Docuneering Ltd

Applicable to: Mountain bicycle  
 and (Mountain storm Mk1 or  
 Brook trekker Mk9)

S1000DBIKE-AAA-D05-20-00-00AA-000A-A



## Safety conditions

None

## Equipment

- Hubs  
MFR: KZ555 /PN: HB-002

## Supervise

Supervisor level:..... Low

## Limit

Perform periodically  
6 Month  
Inspection type: 6 Monthly  
Limit range:  
from: 6 Month  $\pm$  1

## Applicability

Mountain bicycle

Intentionally left blank.

## Bicycle

### Scheduled maintenance checks

#### Table of contents

	Page
Scheduled maintenance checks .....	1
References .....	1
Inspection definitions .....	1

#### List of tables

1	References .....	1
---	------------------	---

### References

Table 1 References

Data module / Technical publication	Title
<a href="#">S1000DBIKE-AAA-D00-00-00-00AA-121A-A</a>	Bicycle – Pre-operation procedures (crew)

### Inspection definitions

Limits		Applicability
No.	Task	References
	<ul style="list-style-type: none"> <li>• Perform periodically</li> <li>Condition: Pre-ride</li> <li>Sampling: Pre-ride</li> <li>1 th51 ± 1</li> <li>Inspection type: Pre</li> <li>Limit range:</li> <li style="padding-left: 20px;">from: 1 th51 ± 1</li> </ul>	
001	Inspect Brakes To do an inspection of the brakes	<a href="#">S1000DBIKE-AAA-D00-00-00-00AA-121A-A</a>
002	Inspect brakes installation To do an inspection of the brakes installation	<a href="#">S1000DBIKE-AAA-D00-00-00-00AA-121A-A</a>
003	Check Tire Pressure To do a check of the tire pressure	<a href="#">S1000DBIKE-AAA-D00-00-00-00AA-121A-A</a>
004	Inspect wheel condition To do an inspection of the wheel condition	<a href="#">S1000DBIKE-AAA-D00-00-00-00AA-121A-A</a>

Produced by Docuneering Ltd

Applicable to: Mountain bicycle  
and (Mountain storm Mk1 or  
Brook trekker Mk9)

**S1000DBIKE-AAA-D05-40-00-00AA-000A-A**

---

(Continued)

---

Limits		Applicability
No.	Task	References
005	Check headset bearings To do a check of the headset bearings	<a href="#">S1000DBIKE-AAA-D00-00-00-00AA-121A-A</a>
006	Carry out chain checks To do a check of the chain	<a href="#">S1000DBIKE-AAA-D00-00-00-00AA-121A-A</a>

---

## Wheel

### *Description of how it is made*

#### Table of contents

	Page
Description of how it is made .....	1
References .....	1
Description .....	1
1 The bicycle wheel .....	1
1.1 Spokes .....	4
1.2 Wheel rim .....	4
1.3 Tube and tire .....	6

#### List of tables

1 References .....	1
--------------------	---

#### List of figures

1 Parts of the wheel .....	3
2 The tire and rim .....	5
3 Valve .....	7

### **References**

*Table 1 References*

Data module / Technical publication	Title
None	

### **Description**

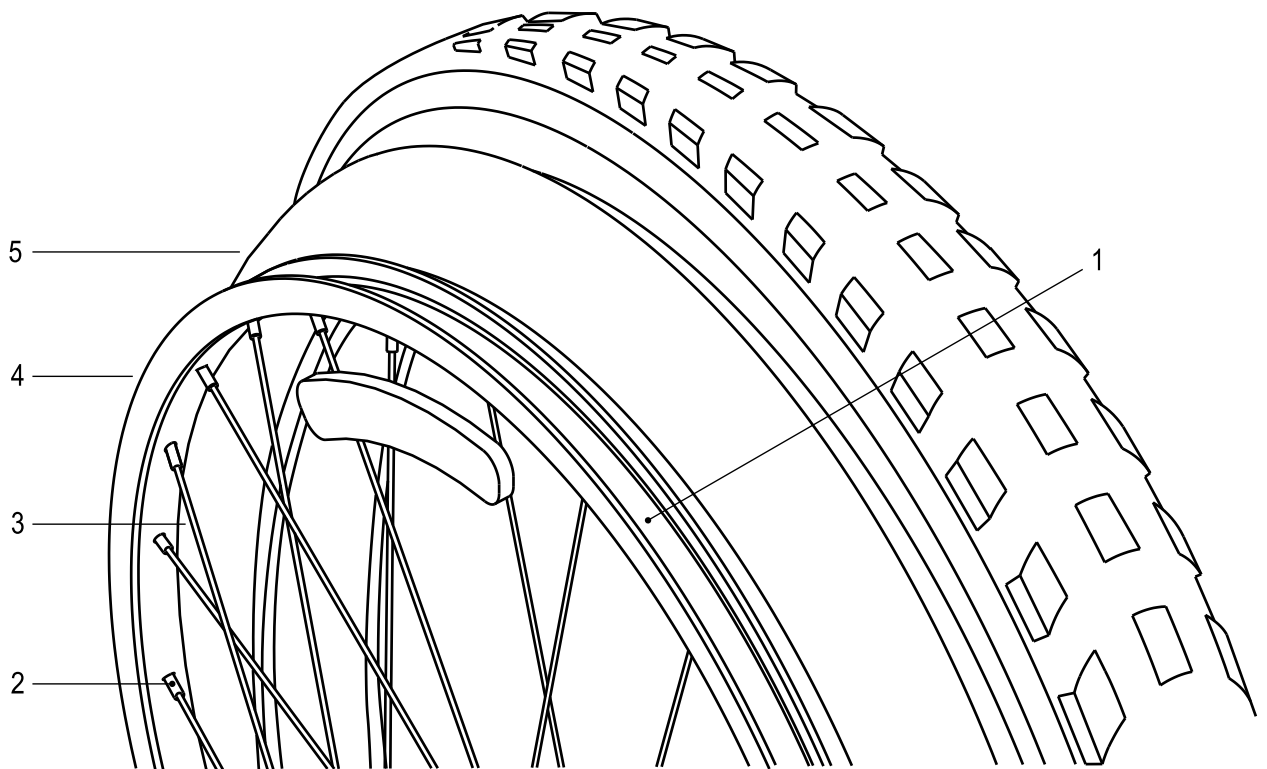
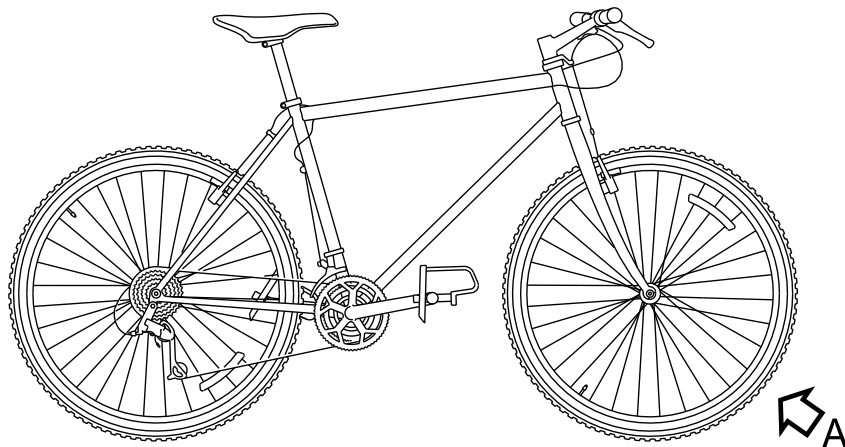
#### **1 The bicycle wheel**

The wheel (refer to [Fig 1](#)) of a bicycle is a complex structure. The wheel assembly has these parts:

- the tire
- the tube
- the spokes
- the spoke nipples
- the valve
- the hub

---

On their own, the individual components are not very strong. But, when they are installed together, the components make the complete wheel (refer to [Fig 1](#)). The complete wheel is resistant to almost any type of heavy loads and operation.



A

ICN-S1000DBIKE-AAA-DA00000-0-U8025-00504-A-04-1

Fig 1 Parts of the wheel

Produced by Docuneering Ltd

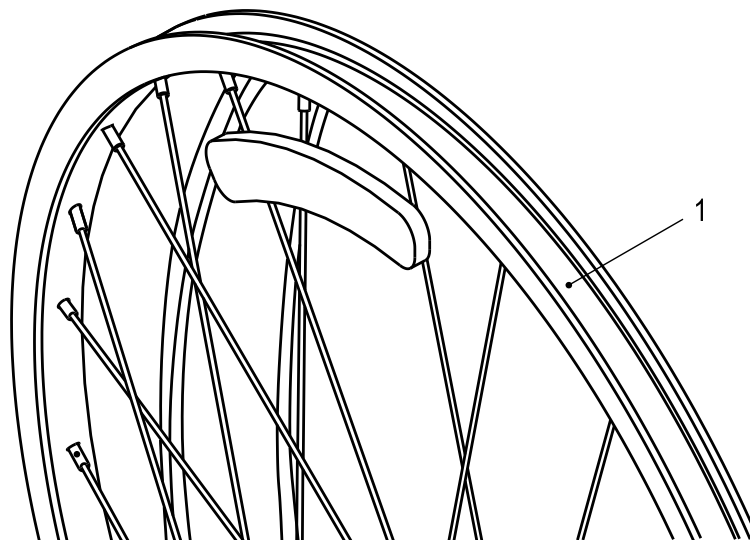
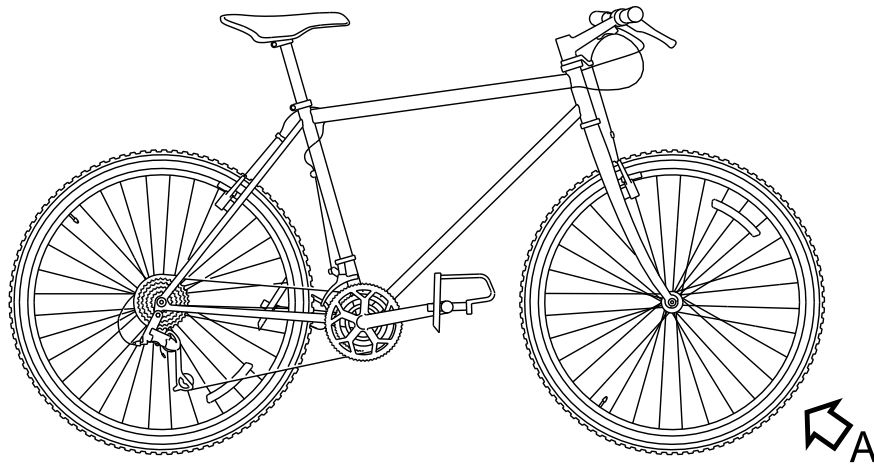
## 1.1 Spokes

The spokes go out from the hub and go across and below each other. The spoke nipples attach the spokes to the rim with the threads on the end of the spokes. You can use the spoke nipples to adjust the tension of the spokes. The tension on each of the spokes must be equal.

## 1.2 Wheel rim

The rim (refer to [Fig 2](#)) of the wheel has a lining of rim tape. This tape protects the tube from damage that the rough edges on the spoke nipples can cause.





A

ICN-S1000DBIKE-AAA-DA00000-0-U8025-00504-B-04-1

Fig 2 The tire and rim

Produced by Docuneering Ltd

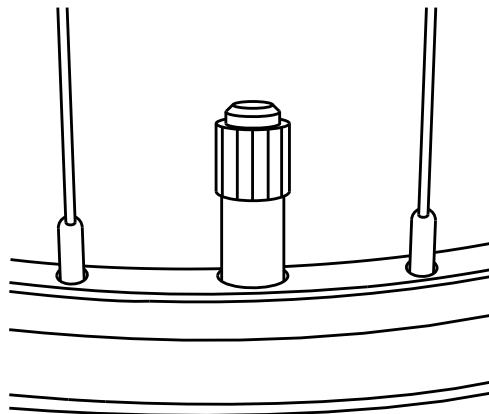
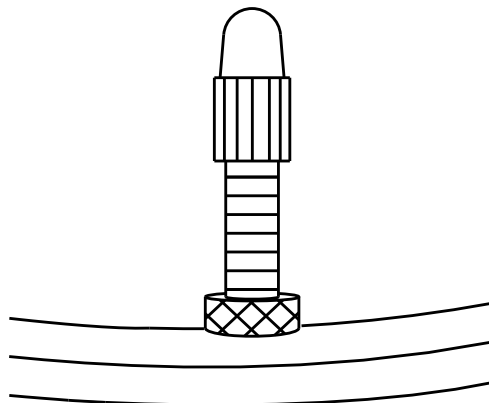
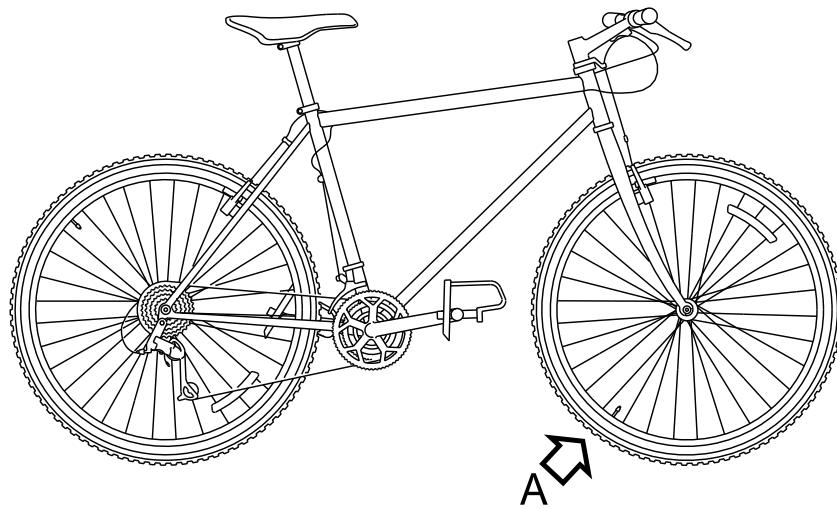
Applicable to: Mountain bicycle  
and (Mountain storm Mk1 or  
Brook trekker Mk9)

S1000DBIKE-AAA-DA0-00-00-00AA-041A-A

---

## 1.3 Tube and tire

The tube and the tire install on the rim. The sidewalls of the tire have markings on them. These which are used to indicate the correct direction of rotation. The markings also make sure the tire installs on the rim and that the directional arrows points in the correct direction. You install the tube into the tire before you inflate it. The tube has a valve (refer to [Fig 3](#)) which you put through the hole in the rim. This valve (refer to [Fig 3](#)) is used to inflate the tube and the tire to the correct pressure. A dust cap installs on the valve (refer to [Fig 3](#)) to prevent damage that dust and debris can cause.



A

ICN-S1000DBIKE-AAA-DA00000-0-U8025-00505-A-04-1

Fig 3 Valve

Produced by Docuneering Ltd

Intentionally left blank.

## Inner tube

### *Remove and install a new item*

#### Table of contents

	Page
Remove and install a new item .....	1
References .....	1
Preliminary requirements .....	1
Procedure .....	2

#### List of tables

1	References .....	1
2	Required conditions .....	1
3	Required persons .....	2
4	Support equipment .....	2
5	Consumables, materials and expendables .....	2
6	Spares .....	2

#### List of figures

1	Removing the inner tube .....	3
---	-------------------------------	---

### *References*

*Table 1 References*

Data module / Technical publication	Title
<a href="#">S1000DBIKE-AAA-DA0-10-20-00AA-215A-A</a>	Tire – Fill with air

### *Preliminary requirements*

#### Required conditions

*Table 2 Required conditions*

Action / Condition	Data module / Technical publication
The tire is removed.	

---

## Required persons

*Table 3 Required persons*

Persons	Category	Skill level	Trade/Trade code	Estimated time
Man A	Basic user		Operator	0,25 h

## Support equipment

*Table 4 Support equipment*

Name	Manufacturer / Part No.	Quantity	Remark
None			

## Consumables, materials and expendables

*Table 5 Consumables, materials and expendables*

Name	Manufacturer / Part No.	Quantity	Remark
None			

## Spares

*Table 6 Spares*

Name	Manufacturer / Part No.	Quantity	Remark
Inner tube	MFR: KT222 /PN: IT-001	1 EA	

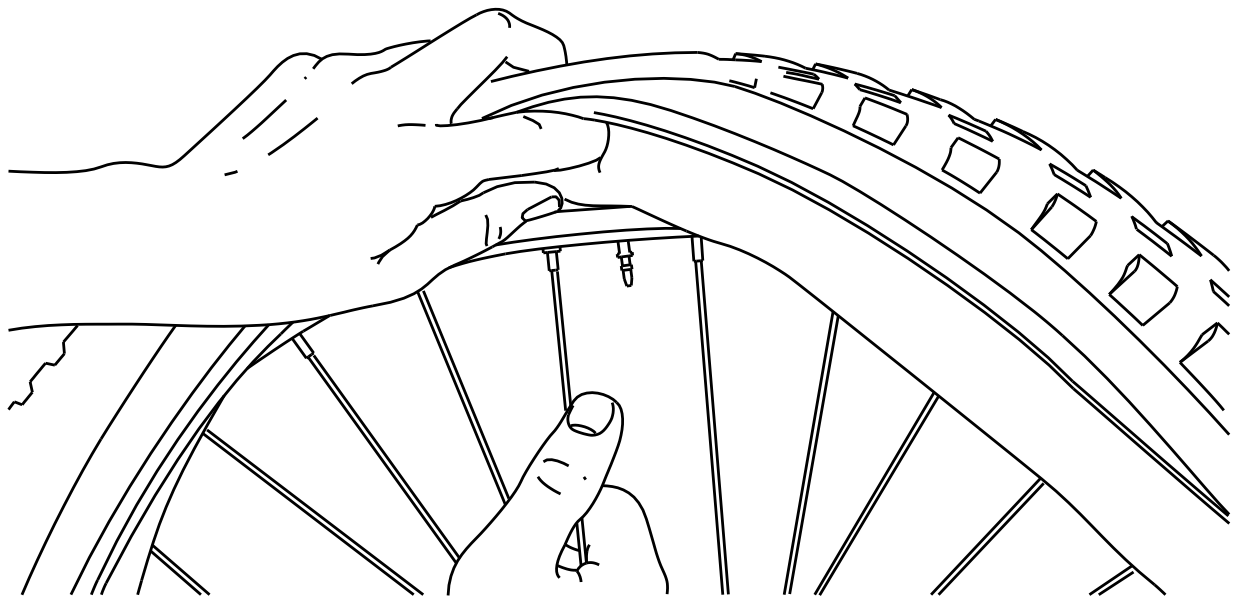
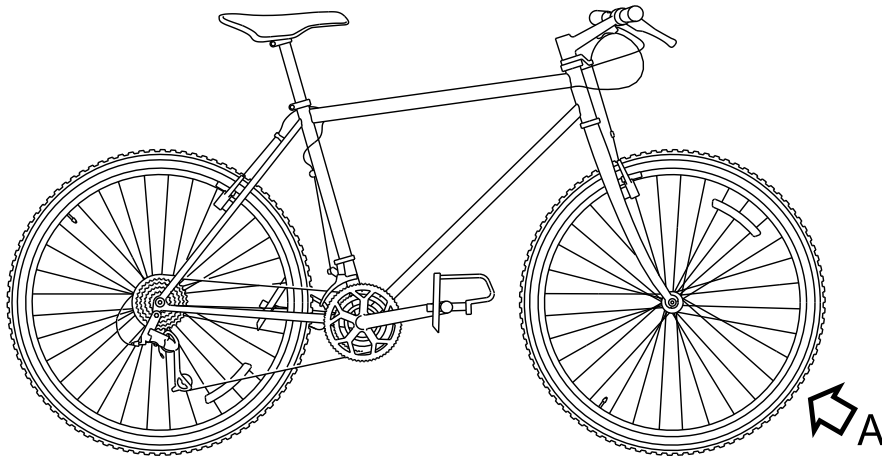
## Safety conditions

### **CAUTION**

**Be careful with sharp or hard tools. They can cause damage to the inner tube.**

### **Procedure**

- 1 Remove the old inner-tube.



A

ICN-S1000DBIKE-AAA-DA00000-0-U8025-00507-A-04-1

Fig 1 Removing the inner tube

- 2 Install the new [Inner tube](#).

---

***Requirements after job completion***

[S1000DBIKE-AAA-DA0-10-20-00AA-215A-A](#)



## Tire

### *Fill with air*

#### Table of contents

	Page
Fill with air .....	1
References .....	1
Preliminary requirements .....	1
Procedure .....	2

#### List of tables

1	References .....	1
2	Required conditions .....	1
3	Required persons .....	1
4	Support equipment .....	2
5	Consumables, materials and expendables .....	2
6	Spares .....	2

### *References*

*Table 1 References*

Data module / Technical publication	Title
None	

### *Preliminary requirements*

#### Required conditions

*Table 2 Required conditions*

Action / Condition	Data module / Technical publication
None	

#### Required persons

*Table 3 Required persons*

Persons	Category	Skill level	Trade/Trade code	Estimated time
Man A	Basic user		Operator	0,25 h

## Support equipment

Table 4 Support equipment

Name	Manufacturer / Part No.	Quantity	Remark
Specialist toolset	MFR: KZ666 /PN: BSK-TLST-001	1 EA	
Foot pump	MFR: KZ666 /PN: BSK-TLST-001-05	1 EA	
Tire pressure gauge	MFR: KZ666 /PN: BSK-TLST-001-01	1 EA	

## Consumables, materials and expendables

Table 5 Consumables, materials and expendables

Name	Manufacturer / Part No.	Quantity	Remark
None			

## Spares

Table 6 Spares

Name	Manufacturer / Part No.	Quantity	Remark
None			

## Safety conditions

None

### Procedure

- 1 Ensure bicycle is on the repair stand.
- 2 Locate the deflated tire.
- 3 Attach the outlet valve of the [Foot pump](#), from the [Specialist toolset](#), to the valve of the deflated tire.
- 4 Inflate the tire.
  - 4.1 Operate the foot pump to pump air into the tire.
  - 4.2 Check tire pressure. Refer to [S1000DBIKE-AAA-DA0-10-20-00AA-362B-A](#).

### Requirements after job completion

None

## Tire

### Check pressure

#### Table of contents

	Page
Check pressure .....	1
References .....	1
Preliminary requirements .....	1
Procedure .....	2

#### List of tables

1	References .....	1
2	Required conditions .....	1
3	Required persons .....	1
4	Support equipment .....	2
5	Consumables, materials and expendables .....	2
6	Spares .....	2

### References

*Table 1 References*

Data module / Technical publication	Title
<a href="#">S1000DBIKE-AAA-DA0-10-20-00AA-215A-A</a>	Tire – Fill with air
<a href="#">S1000DBIKE-AAA-DA0-10-10-00AA-921A-A</a>	Inner tube – Remove and install a new item

### Preliminary requirements

#### Required conditions

*Table 2 Required conditions*

Action / Condition	Data module / Technical publication
None	

#### Required persons

*Table 3 Required persons*

Persons	Category	Skill level	Trade/Trade code	Estimated time
Man A	Basic user		Operator	0,25 h

Applicable to: Mountain bicycle  
and (Mountain storm Mk1 or  
Brook trekker Mk9)

**S1000DBIKE-AAA-DA0-10-20-00AA-362B-A**

## Support equipment

Table 4 Support equipment

Name	Manufacturer / Part No.	Quantity	Remark
Tire pressure gauge	MFR: KZ666 /PN: BSK-TLST-001-01	1 EA	

## Consumables, materials and expendables

Table 5 Consumables, materials and expendables

Name	Manufacturer / Part No.	Quantity	Remark
None			

## Spares

Table 6 Spares

Name	Manufacturer / Part No.	Quantity	Remark
None			

## Safety conditions

None

### Procedure

- 1 Locate the valve stem of tire.
- 2 Use the tire pressure gauge ([Tire pressure gauge](#)) to check the tire pressure.
- 3 Tire pressure should between 2000 hPa to 2700 hPa.
- 3.1 If tire pressure is less than 2000 hPa inflate tire. Refer to [S1000DBIKE-AAA-DA0-10-20-00AA-215A-A](#).
- 3.2 If the tire cannot maintain pressure or the tire pressure is greater than 2700 hPa replace the inner tube. Refer to [S1000DBIKE-AAA-DA0-10-10-00AA-921A-A](#).

### Requirements after job completion

None

## Front wheel

### *Fault reports and isolation procedures*

#### Table of contents

	Page
Fault reports and isolation procedures .....	1
References .....	1
Preliminary requirements .....	1

#### List of tables

1	References .....	1
2	Required conditions .....	1
3	Support equipment .....	2
4	Consumables, materials and expendables .....	2
5	Spares .....	2

### *References*

*Table 1 References*

Data module / Technical publication	Title
<a href="#">S1000DBIKE-AAA-DA0-10-20-00AA-215A-A</a>	Tire – Fill with air
<a href="#">S1000DBIKE-AAA-DA0-10-20-00AA-921A-A</a>	Tire – Remove and install a new item
<a href="#">S1000DBIKE-AAA-DA0-10-10-00AA-921A-A</a>	Inner tube – Remove and install a new item

#### Fault code

NYCJD04

#### Fault description

Tire does not function correctly

### *Preliminary requirements*

#### Required conditions

*Table 2 Required conditions*

Action / Condition	Data module / Technical publication
None	

Applicable to: Mountain bicycle  
and (Mountain storm Mk1 or  
Brook trekker Mk9)

**S1000DBIKE-AAA-DA0-10-20-00AA-400A-A**

## Support equipment

Table 3 Support equipment

Name	Manufacturer / Part No.	Quantity	Remark
Tire pressure gauge	MFR: KZ666 /PN: BSK-TLST-001-01	1 EA	
Specialist toolset	MFR: KZ666 /PN: BSK-TLST-001	1 EA	

## Consumables, materials and expendables

Table 4 Consumables, materials and expendables

Name	Manufacturer / Part No.	Quantity	Remark
None			

## Spares

Table 5 Spares

Name	Manufacturer / Part No.	Quantity	Remark
None			

## Safety conditions

None

### Isolation procedure

- 1 Use the tire pressure gauge ([Tire pressure gauge](#)) to do a check of the pressure  
What is the tire pressure reading?
  - 1.1 More than 2700 hPa [Step 2](#)
  - 1.2 Between 100 hPa and 2700 hPa [Step 3](#)
  - 1.3 Less than 100 hPa [Step 4](#)
- 2 Deflate the tire until the pressure is 2700 hPa  
**Go to requirements after job completion**
- 3 Inflate the tire as given in [S1000DBIKE-AAA-DA0-10-20-00AA-215A-A](#)  
**Go to requirements after job completion**
- 4 To do a check of the tire for damage  
Is there damage to the tire?
  - 4.1 Yes: Go to [Step 5](#)
  - 4.2 No: Go to [Step 6](#)

- 
- 5      Replace the tire (refer to [S1000DBIKE-AAA-DA0-10-20-00AA-921A-A](#) )  
         **Go to requirements after job completion**
- 6      Replace the inner-tube (refer to [S1000DBIKE-AAA-DA0-10-10-00AA-921A-A](#))  
         **Go to requirements after job completion**

Intentionally left blank.



## Tire

### *Remove and install a new item*

#### Table of contents

	Page
Remove and install a new item .....	1
References .....	1
Preliminary requirements .....	1
Procedure .....	2

#### List of tables

1	References .....	1
2	Required conditions .....	1
3	Required persons .....	1
4	Support equipment .....	2
5	Consumables, materials and expendables .....	2
6	Spares .....	2

### *References*

*Table 1 References*

Data module / Technical publication	Title
S1000DBIKE-AAA-DA1-00-00-00AA-341A-A	Brake system – Manual test
S1000DBIKE-AAA-DA0-10-20-00AA-215A-A	Tire – Fill with air

### *Preliminary requirements*

#### Required conditions

*Table 2 Required conditions*

Action / Condition	Data module / Technical publication
None	

#### Required persons

*Table 3 Required persons*

Persons	Category	Skill level	Trade/Trade code	Estimated time
Man A	Basic user		Operator	0,25 h

Applicable to: Mountain bicycle  
and (Mountain storm Mk1 or  
Brook trekker Mk9)

**S1000DBIKE-AAA-DA0-10-20-00AA-921A-A**

---

## Support equipment

*Table 4 Support equipment*

Name	Manufacturer / Part No.	Quantity	Remark
Specialist toolset	MFR: KZ666 /PN: BSK-TLST-001	1 EA	
Tire lever	MFR: KZ666 /PN: BSK-TLST-001-04	1 EA	
Tire pressure guage	MFR: KZ666 /PN: BSK-TLST-001-01	1 EA	

## Consumables, materials and expendables

*Table 5 Consumables, materials and expendables*

Name	Manufacturer / Part No.	Quantity	Remark
None			

## Spares

*Table 6 Spares*

Name	Manufacturer / Part No.	Quantity	Remark
Tire	MFR: KT666 /PN: TIRES-010101	1 EA	

## Safety conditions

None

## Procedure

- 1 Lift and turn the bicycle and make sure the bicycle is held safely in this position.
- 2 Use a standard wrench from the [Specialist toolset](#) and loosen the brake caliper.
- 3 Remove the axle bolt.
- 4 Remove the wheel.
- 5 Deflate the tire.
- 6 Use the [Tire lever](#) from the [Specialist toolset](#) and remove the old tire from the wheel.
- 7 Use the [Tire lever](#) from the [Specialist toolset](#) and attach the new [Tire](#) to the wheel. Refer to [S1000DBIKE-AAA-DA0-10-20-00AA-041A-A](#).
- 8 Inflate the tire (refer to [S1000DBIKE-AAA-DA0-10-20-00AA-215A-A](#)).
- 9 Install the wheel.
- 10 Tighten the axle bolt.

---

Applicable to: Mountain bicycle  
and (Mountain storm Mk1 or  
Brook trekker Mk9)

**S1000DBIKE-AAA-DA0-10-20-00AA-921A-A**

---

11      Tighten the brake caliper.

## *Requirements after job completion*

[S1000DBIKE-AAA-DA1-00-00-00AA-341A-A](#)

Intentionally left blank.

---

## Rear wheel

### *Detected fault*

#### Fault codes

Fault code	Fault description
<a href="#">NYCJD00</a>	The rear wheel does not operate correctly

#### Table of contents

	Page
Detected fault .....	1
References .....	1
Fault reporting .....	1

#### List of tables

1	References .....	1
---	------------------	---

### *References*

*Table 1 References*

Data module / Technical publication	Title
None	

### *Fault reporting*

#### Fault code

NYCJD00

#### Fault description

The rear wheel does not operate correctly

#### Fault detection

Type: Major

---

**1 Detected LRU**

Line replaceable unit

Nomenclature	Identification
Tire	MFR: KT666/PN: TIRES-010101

**Isolate detected fault****1 Fault isolation test – LRU**

Line replaceable unit

Nomenclature	Identification
Rear wheel	MFR: KZ333/PN: WH-001

**Remarks**

Prepare the rear wheel for the removal of the tire

## Rear wheel

### *Remove procedures*

#### Table of contents

	Page
Remove procedures .....	1
References .....	1
Preliminary requirements .....	1
Procedure .....	2

#### List of tables

1	References .....	1
2	Required conditions .....	1
3	Required persons .....	1
4	Support equipment .....	2
5	Consumables, materials and expendables .....	2
6	Spares .....	2

### *References*

*Table 1 References*

Data module / Technical publication	Title
None	

### *Preliminary requirements*

#### Required conditions

*Table 2 Required conditions*

Action / Condition	Data module / Technical publication
None	

#### Required persons

*Table 3 Required persons*

Persons	Category	Skill level	Trade/Trade code	Estimated time
As required				

---

## Support equipment

*Table 4 Support equipment*

Name	Manufacturer / Part No.	Quantity	Remark
None			

## Consumables, materials and expendables

*Table 5 Consumables, materials and expendables*

Name	Manufacturer / Part No.	Quantity	Remark
None			

## Spares

*Table 6 Spares*

Name	Manufacturer / Part No.	Quantity	Remark
None			

## Safety conditions

None

### ***Procedure***

- 1 Hold the rear of the bicycle.
- 2 Push the wheel forwards and down to disengage the chain from the sprocket.
- 3 Turn the wheel to the side and lift it away from the frame.
- 4 Put the frame on the floor.

### ***Requirements after job completion***

None



## Brake system

### *Description of how it is made*

#### Table of contents

	Page
Description of how it is made .....	1
References .....	1
Description .....	1
1 Brake system .....	1
1.1 Cantilever brake .....	1
1.2 Brake pads .....	4
1.3 Brake lever .....	6

#### List of tables

1 References .....	1
--------------------	---

#### List of figures

1 Cantilever brake with straddle cable .....	3
2 Exploded diagram of a brake .....	5
3 Typical components of a mountain bicycle lever .....	7

### **References**

*Table 1 References*

Data module / Technical publication	Title
None	

### **Description**

#### **1 Brake system**

The most important part of the bicycle is the brake system. Only a minimum maintenance of the brake system is necessary. But, when a problem does occur, make sure you to do the necessary maintenance as quickly as possible. If you do not do this the bicycle will be dangerous to use.

There are nine different types of brake systems. The one found on most bicycles is the cantilever brake (refer to [Para 1.1](#)).

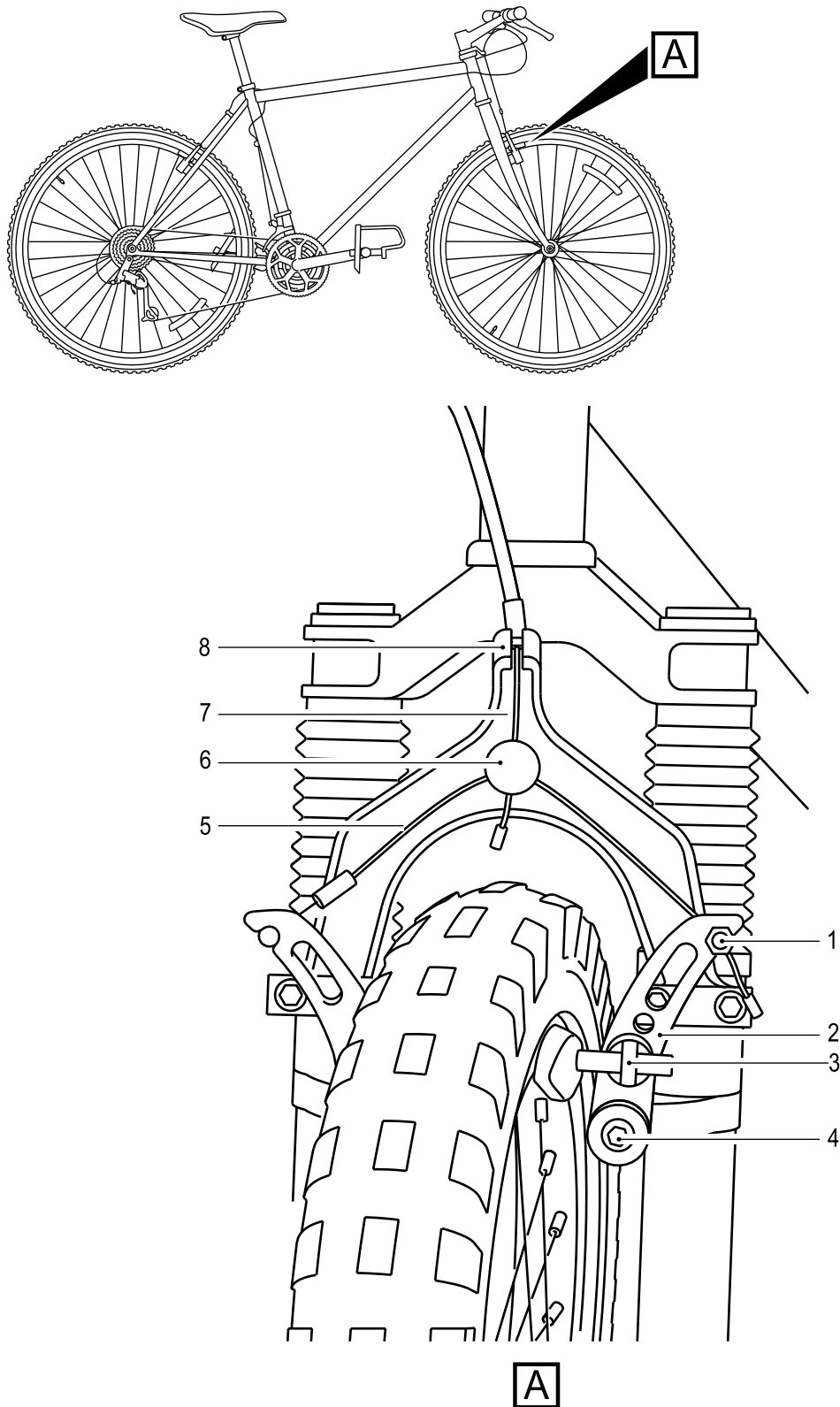
#### **1.1 Cantilever brake**

The brake system (refer to [Fig 1](#)) has these primary components:

- the brake lever (refer to [Para 1.3](#))

---

the brake cable  
the brake arm  
the brake clamp (also known as callipers)  
the brake pads (refer to [Para 1.2](#))



Produced by Docuneering Ltd

ICN-S1000DBIKE-AAA-DA10000-0-U8025-00512-A-04-1

Fig 1 Cantilever brake with straddle cable

Applicable to: Mountain bicycle  
and (Mountain storm Mk1 or  
Brook trekker Mk9)

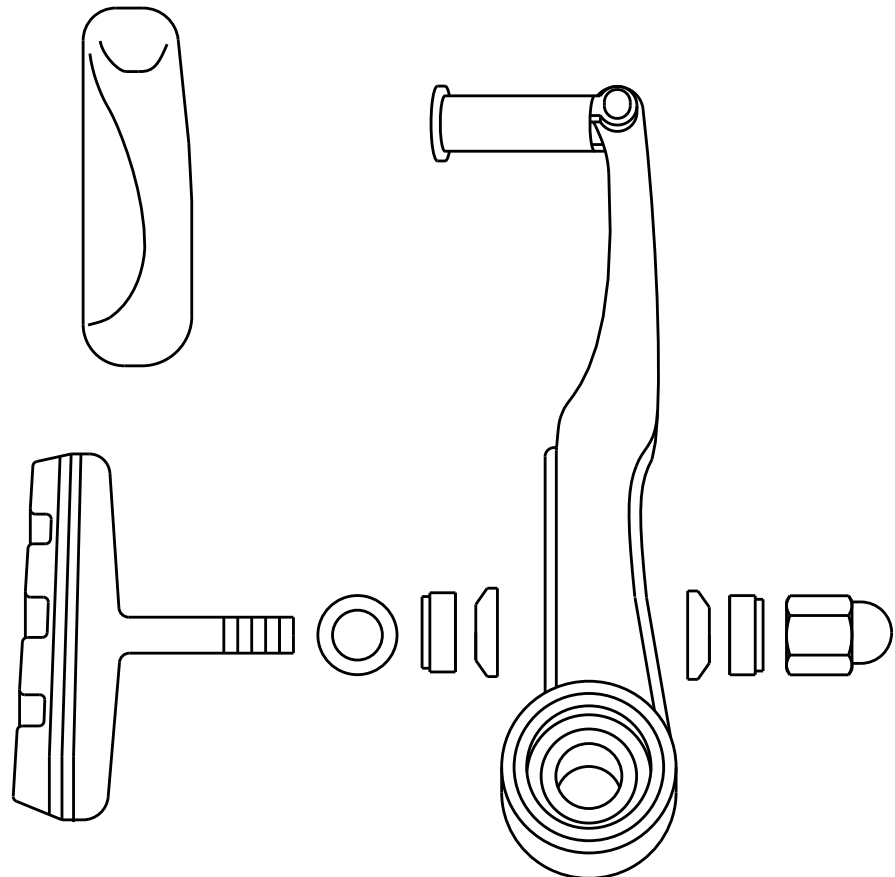
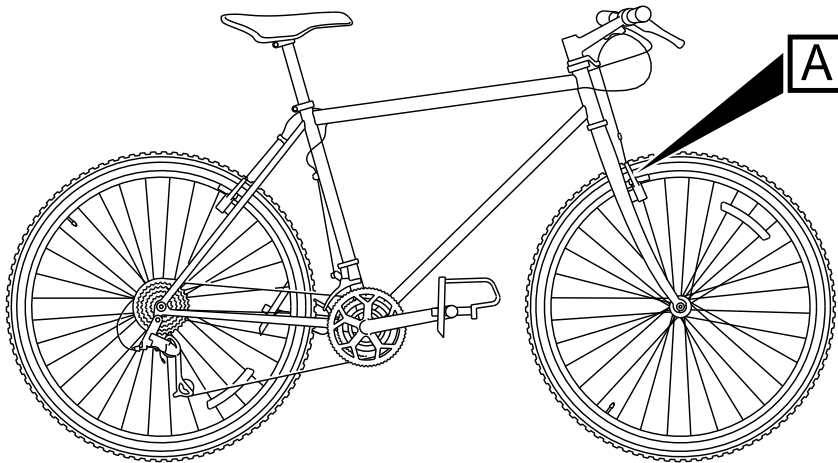
S1000DBIKE-AAA-DA1-00-00-00AA-041A-A

---

A cable that goes from the brake levers on the handlebars pulls the two levers on the brakes together. This presses the brake pads against the outer rim of the wheel, which decreases the speed of the bicycle.

## 1.2 Brake pads

There are four brake pads (refer to [Fig 2](#)) on the bicycle. Two are found on the front wheel and two on the rear wheel. The brake pads are made out of hard wearing rubber. The pads press against the rim of the wheel to cause friction when the you operate the brake levers.



A

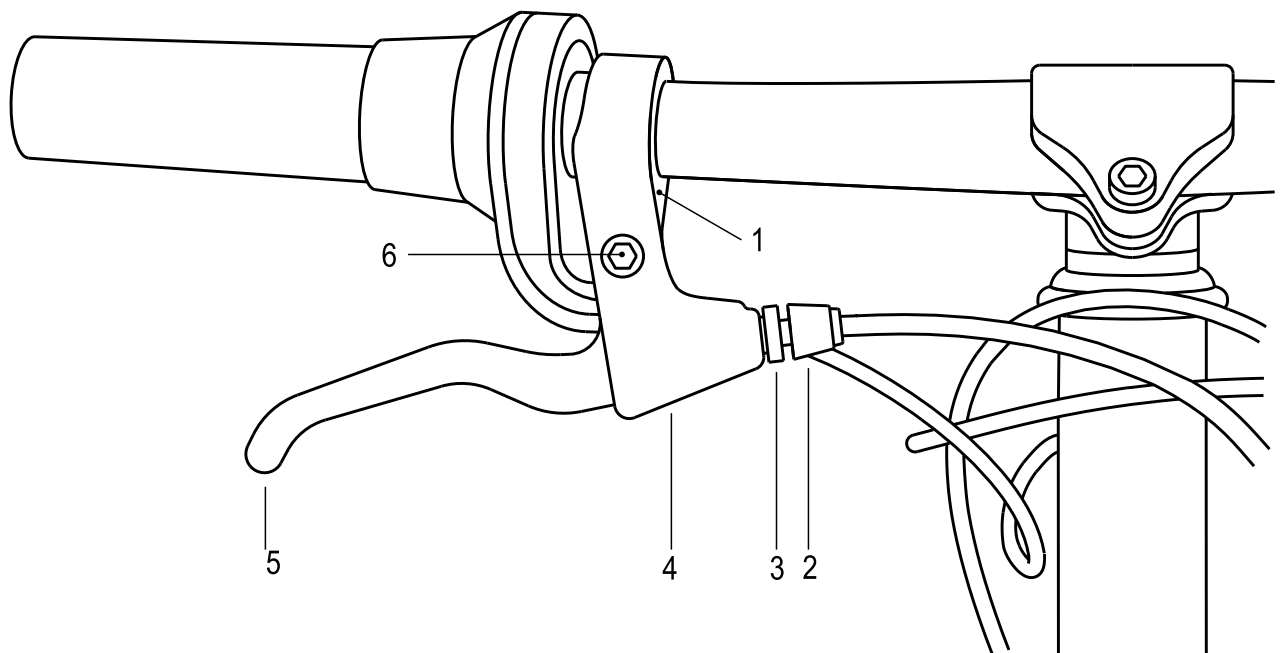
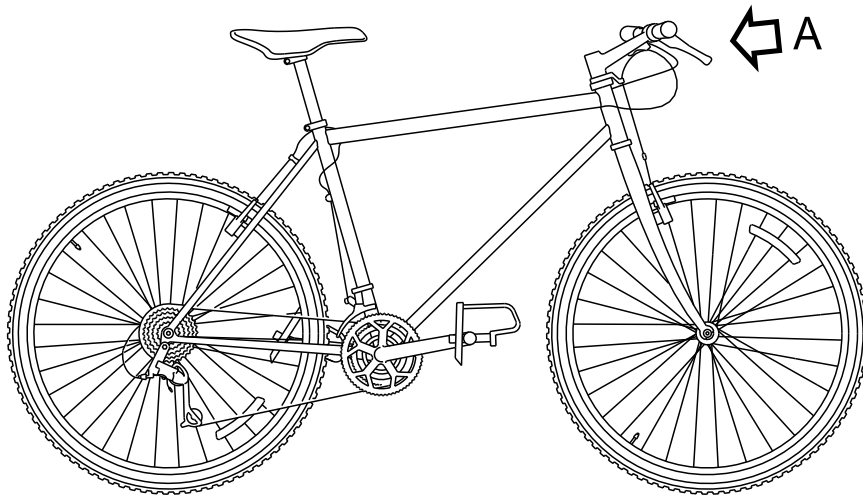
ICN-S1000DBIKE-AAA-DA10000-0-U8025-00513-A-04-1

Fig 2 Exploded diagram of a brake

Produced by Docuneering Ltd

## 1.3 Brake lever

The brake levers (refer to [Fig 3](#)) are easily damaged. The lever is installed in the mount. A clamp bolt holds the mount. This bolt is not visible because it is found in the mount. The lever turns on a lever pivot bolt. The adjuster lock nut holds the brake cable. This lock nut adjusts the tension of the cable.



ICN-S1000DBIKE-AAA-DA10000-0-U8025-00514-A-04-1

Fig 3 Typical components of a mountain bicycle lever

Produced by Docuneering Ltd

Applicable to: Mountain bicycle  
and (Mountain storm Mk1 or  
Brook trekker Mk9)

S1000DBIKE-AAA-DA1-00-00-00AA-041A-A

---

The left brake lever holds the brake pads on the front wheel and the right brake pads hold the brakes on the rear wheel.



## Brake system

### Manual test

#### Table of contents

	Page
Manual test .....	1
References .....	1
Preliminary requirements .....	1
Procedure .....	2

#### List of tables

1	References .....	1
2	Required conditions .....	1
3	Required persons .....	1
4	Support equipment .....	2
5	Consumables, materials and expendables .....	2
6	Spares .....	2

### References

*Table 1 References*

Data module / Technical publication	Title
None	

### Preliminary requirements

#### Required conditions

*Table 2 Required conditions*

Action / Condition	Data module / Technical publication
None	

#### Required persons

*Table 3 Required persons*

Persons	Category	Skill level	Trade/Trade code	Estimated time
Man A	Basic user		Operator	0,25 h

## Support equipment

*Table 4 Support equipment*

Name	Manufacturer / Part No.	Quantity	Remark
None			

## Consumables, materials and expendables

*Table 5 Consumables, materials and expendables*

Name	Manufacturer / Part No.	Quantity	Remark
None			

## Spares

*Table 6 Spares*

Name	Manufacturer / Part No.	Quantity	Remark
None			

## Safety conditions

None

### ***Procedure***

- 1 Put the bicycle in a vertical position.
- 2 Hold the handle bars and push the bicycle forwards.
- 3 Apply the brakes.
- 4 Make sure that the wheels lock and the bicycle stops.

### ***Requirements after job completion***

None

## Brake pads

### *Clean with rubbing alcohol*

#### Table of contents

	Page
Clean with rubbing alcohol .....	1
References .....	1
Preliminary requirements .....	1
Procedure .....	2

#### List of tables

1	References .....	1
2	Required conditions .....	1
3	Required persons .....	1
4	Support equipment .....	2
5	Consumables, materials and expendables .....	2
6	Spares .....	2

### References

*Table 1 References*

Data module / Technical publication	Title
S1000DBIKE-AAA-D00-00-00-00AA-121A-A	Bicycle – Pre-operation procedures (crew)

### *Preliminary requirements*

#### Required conditions

*Table 2 Required conditions*

Action / Condition	Data module / Technical publication
None	

#### Required persons

*Table 3 Required persons*

Persons	Category	Skill level	Trade/Trade code	Estimated time
Man A	Basic user		Operator	0,25 h

---

## Support equipment

*Table 4 Support equipment*

Name	Manufacturer / Part No.	Quantity	Remark
None			

## Consumables, materials and expendables

*Table 5 Consumables, materials and expendables*

Name	Manufacturer / Part No.	Quantity	Remark
Rubbing alcohol	MFR: KZ222 /PN: LL-002	As required	

## Spares

*Table 6 Spares*

Name	Manufacturer / Part No.	Quantity	Remark
None			

## Safety conditions

None

### ***Procedure***

- 1 Do a visual inspection of the brakes as given in the pre-ride checks (refer to [S1000DBIKE-AAA-D00-00-00-00AA-121A-A](#)).
- 2 Clean the brake pads.
  - 2.1 Find each of the brake pads.
  - 2.2 Apply a thin layer of the [Rubbing alcohol](#) on each of the brake pads.
  - 2.3 Rub the surface until you have applied the [Rubbing alcohol](#) to the complete surface of the pad.
  - 2.4 Remove the unwanted alcohol.

### ***Requirements after job completion***

None

## Steering

### *Description of how it is made*

#### Table of contents

	Page
Description of how it is made .....	1
References .....	1
Description .....	1
1 Steering .....	1
1.1 Handlebar .....	2
1.2 Headset .....	2
1.3 Stem .....	2

#### List of tables

1 References .....	1
--------------------	---

### **References**

*Table 1 References*

Data module / Technical publication	Title
<a href="#">S1000DBIKE-AAA-DA2-20-00-00AA-520A-A</a>	Handlebar – Remove procedures
<a href="#">S1000DBIKE-AAA-DA2-20-00-00AA-720A-A</a>	Handlebar – Install procedures
<a href="#">S1000DBIKE-AAA-DA2-30-00-00AA-041A-A</a>	Headset – Description of how it is made
<a href="#">S1000DBIKE-AAA-DA2-30-00-00AA-520A-A</a>	Headset – Remove procedures
<a href="#">S1000DBIKE-AAA-DA2-30-00-00AA-720A-A</a>	Headset – Install procedures
<a href="#">S1000DBIKE-AAA-DA2-10-00-00AA-520A-A</a>	Stem – Remove procedures
<a href="#">S1000DBIKE-AAA-DA2-10-00-00AA-720A-A</a>	Stem – Install procedures

### **Description**

## 1 Steering

The steering on the bike is what enables the bike to manoeuvre in a given direction during travel. The steering system on the bike is made of three parts, they are:

- [Para 1.1](#) The handlebar
- [Para 1.2](#) The headset
- [Para 1.3](#) The stem

---

## 1.1 Handlebar

This consists of a horizontal bar attached to the stem with handgrips at the end. Brake levers and shifters are also attached to this bar although they do not have any part in the steering mechanism. The handlebars manoeuvrability is a sideways swivelling action. The handlebars themselves do not provide this swivelling, the headset (also known as the steering tube) is the mechanism that enables the handlebars to swivel.

## 1.2 Headset

This mechanism is situated in front of the frame and connects the front fork to the stem and handlebars. The headset allows the handlebars to swivel left and right for steering purposes.

For a full description of the headset, refer to [S1000DBIKE-AAA-DA2-30-00-00AA-041A-A](#) .

## 1.3 Stem

The stem is a piece that attaches the handlebar to the steering tube. Basically the stem is just a threaded stem bolt situated inside the steerer tube and is what attaches the handlebars to the headset.

## Stem

### *Remove procedures*

#### Table of contents

	Page
Remove procedures .....	1
References .....	1
Preliminary requirements .....	1
Procedure .....	2

#### List of tables

1	References .....	1
2	Required conditions .....	1
3	Required persons .....	2
4	Support equipment .....	2
5	Consumables, materials and expendables .....	2
6	Spares .....	2

#### List of figures

1	Remove the bolt .....	3
---	-----------------------	---

### *References*

*Table 1 References*

Data module / Technical publication	Title
<a href="#">S1000DBIKE-AAA-DA2-20-00-00AA-520A-A</a>	Handlebar – Remove procedures

### *Preliminary requirements*

#### Required conditions

*Table 2 Required conditions*

Action / Condition	Data module / Technical publication
Safety the bicycle in a bicycle stand and hold the front wheel off the ground	

## Required persons

Table 3 Required persons

Persons	Category	Skill level	Trade/Trade code	Estimated time
Man A	Bike Rider	Intermediate	Operator	1,5 h

## Support equipment

Table 4 Support equipment

Name	Manufacturer / Part No.	Quantity	Remark
Set of Allen wrenches	MFR: KZ666 /PN: BSK-TLST-001-13	1 EA	
Work stand	MFR: KZ555 /PN: Stand-001	1 EA	

## Consumables, materials and expendables

Table 5 Consumables, materials and expendables

Name	Manufacturer / Part No.	Quantity	Remark
None			

## Spares

Table 6 Spares

Name	Manufacturer / Part No.	Quantity	Remark
None			

## Safety conditions

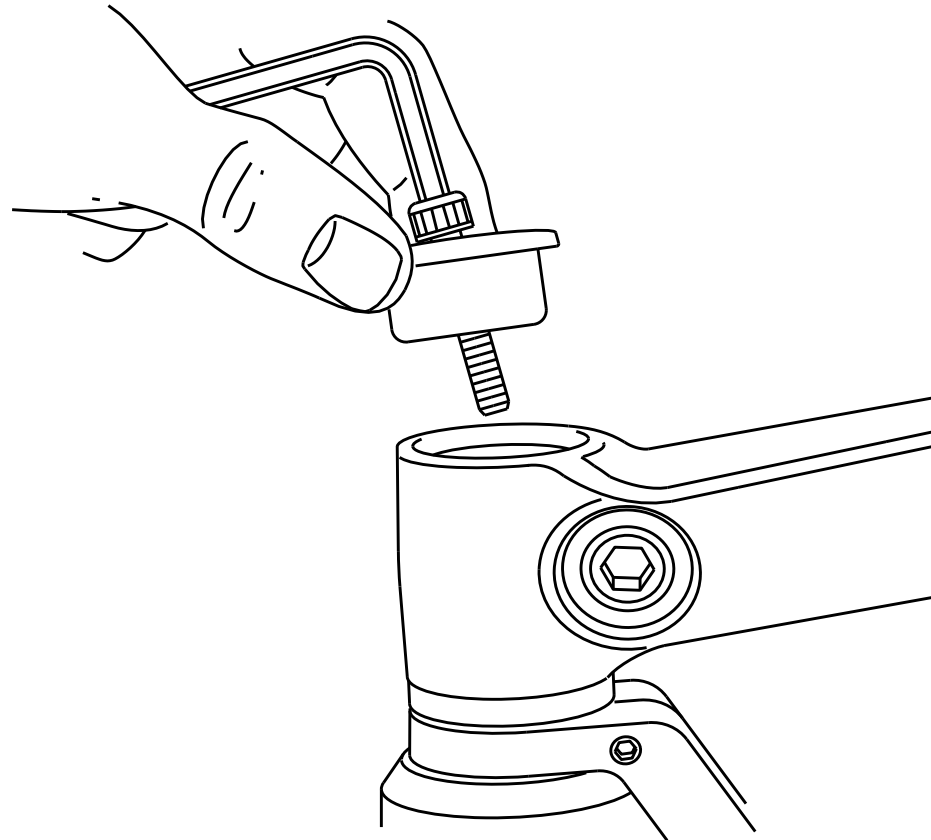
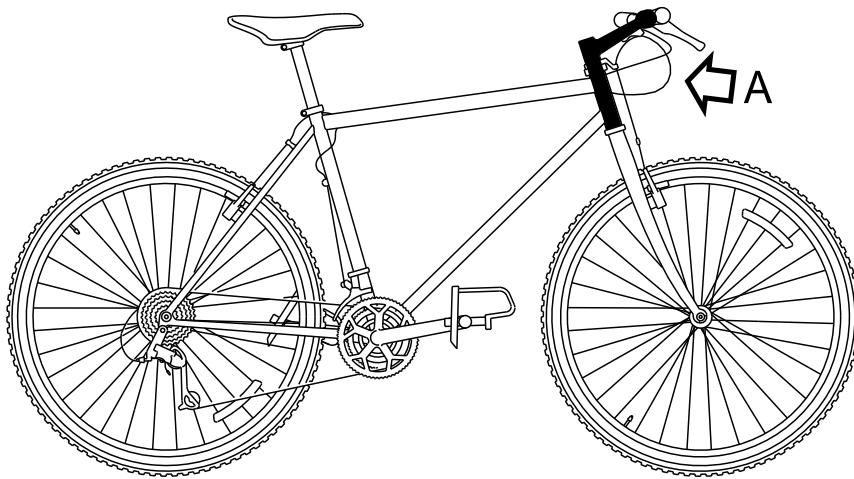
### NOTE

It is not necessary to remove the handlebar when you remove the stem to get access to the headset.

## Procedure

- 1 Remove the handlebar [S1000DBIKE-AAA-DA2-20-00-00AA-520A-A](#).
- 2 Remove the stem.
- 2.1 Remove the bolt in the center of the stem cap.





**A**

ICN-S1000DBIKE-AAA-DA21000-0-U8025-00531-A-04-1

Fig 1 Remove the bolt

- 
- 2.2 Loosen the stem clam bolt with a [Set of Allen wrenches](#).
  - 2.3 Remove the stem from the steerer tube.
  - 2.4 Note: It is not necessary to remove the handlebar if you remove the stem to get access to the headset.

### *Requirements after job completion*

None

## Stem

### *Install procedures*

#### Table of contents

	Page
Install procedures .....	1
References .....	1
Preliminary requirements .....	1
Procedure .....	3

#### List of tables

1	References .....	1
2	Required conditions .....	1
3	Required persons .....	2
4	Support equipment .....	2
5	Consumables, materials and expendables .....	2
6	Spares .....	2

#### List of figures

1	Lubricate the thread .....	4
2	Tighten the bolt .....	6

### *References*

*Table 1 References*

Data module / Technical publication	Title
<a href="#">S1000DBIKE-AAA-DA2-20-00-00AA-720A-A</a>	Handlebar – Install procedures

### *Preliminary requirements*

#### Required conditions

*Table 2 Required conditions*

Action / Condition	Data module / Technical publication
Make sure the bicycle is held safely on a work stand with the front wheel free of the ground	

## Required persons

Table 3 Required persons

Persons	Category	Skill level	Trade/Trade code	Estimated time
Man A	Bike Rider	Intermediate	Operator	1,0 h

## Support equipment

Table 4 Support equipment

Name	Manufacturer / Part No.	Quantity	Remark
Clean dry cloth	MFR: KZ666 /PN: BSK-TLST-001-12	1 EA	
Work stand	MFR: KZ555 /PN: Stand-001	1 EA	

## Consumables, materials and expendables

Table 5 Consumables, materials and expendables

Name	Manufacturer / Part No.	Quantity	Remark
Rubbing alcohol	MFR: KZ222 /PN: LL-002	1 L	
General lubricant	MFR: KZ222 /PN: LL-001	1 L	

## Spares

Table 6 Spares

Name	Manufacturer / Part No.	Quantity	Remark
Stem	MFR: KZ555 /PN: St-001	1 EA	
Stem bolt	MFR: KZ555 /PN: St-001-01	1 EA	

## Safety conditions

### **CAUTION**

**Do not tighten the stem bolt too much. You can cause damage to the headset bearings if you tighten the stem too much.**

### **CAUTION**

**The stem bolt does not safety the stem.**

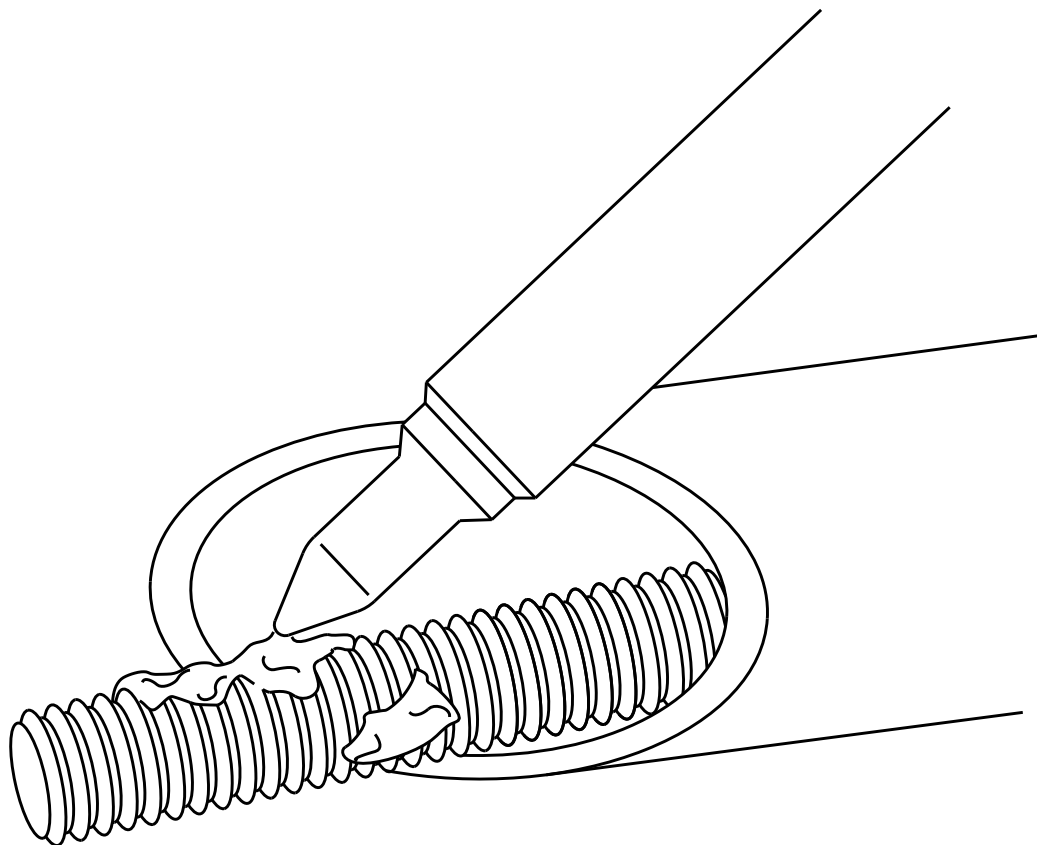
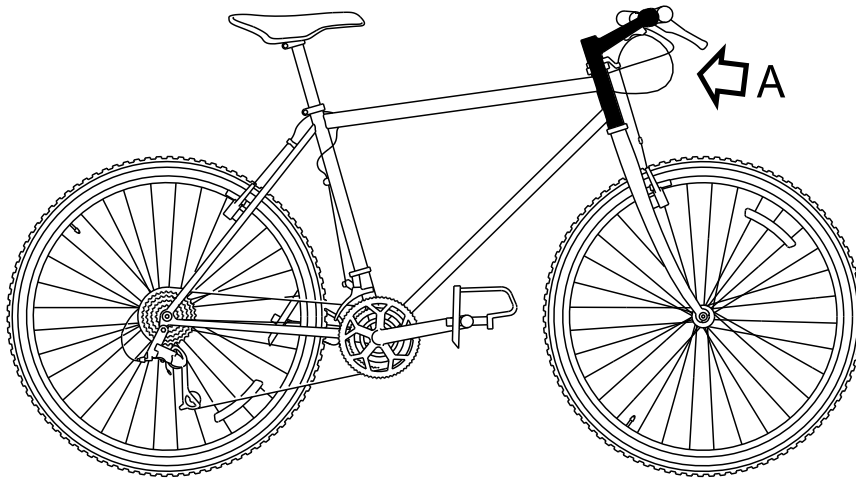
---

## NOTE

The stem must point forward in alignment with the wheel.

## *Procedure*

- 1 Remove all the rust and the corrosion with a [Clean dry cloth](#) and [Rubbing alcohol](#).
- 2 Install the stem.
- 2.1 Use a [General lubricant](#) and lubricate:
  - the threads of the [Stem](#) and [Stem bolt](#)
  - the sides
  - the top of the wedge



**A**

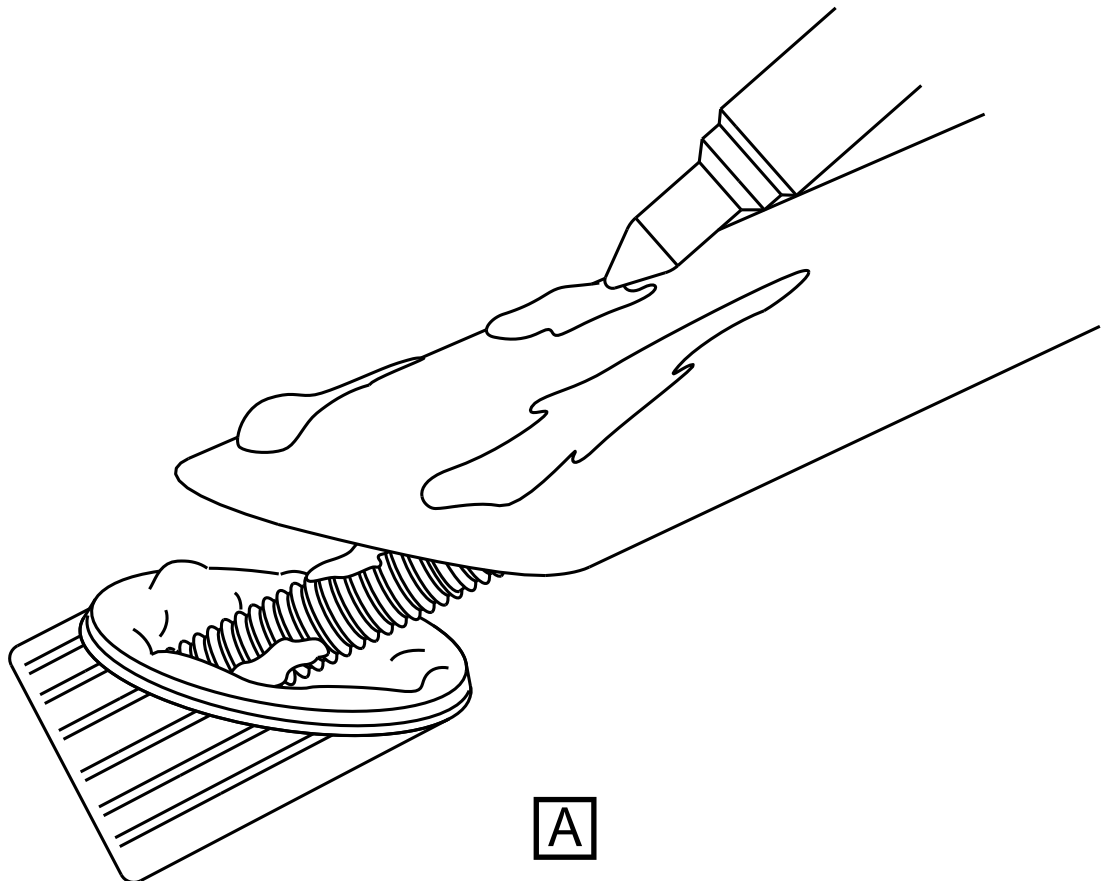
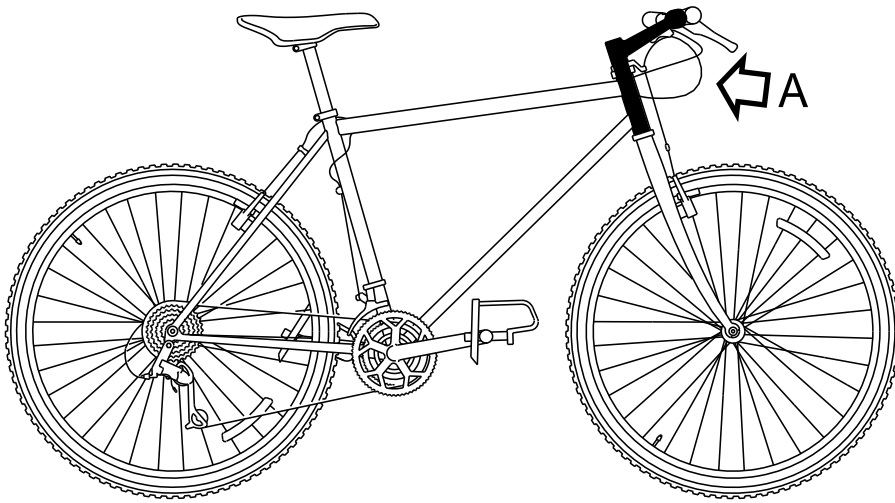
ICN-S1000DBIKE-AAA-DA21000-0-U8025-00529-A-04-1

*Fig 1 Lubricate the thread*

Produced by Docuneering Ltd

---

2.2 Install the [Stem](#) in the steerer tube.



ICN-S1000DBIKE-AAA-DA21000-0-U8025-00530-A-04-1

Fig 2 Tighten the bolt



- 
- 2.3 Adjust to align the [Stem](#) with the wheel and tighten the [Stem bolt](#) firmly.
  - 3 Install the handlebars (refer to [S1000DBIKE-AAA-DA2-20-00-00AA-720A-A](#)).

### ***Requirements after job completion***

None

Intentionally left blank.

## Handlebar

### *Remove procedures*

#### Table of contents

	Page
Remove procedures .....	1
References .....	1
Preliminary requirements .....	1
Procedure .....	2

#### List of tables

1	References .....	1
2	Required conditions .....	1
3	Required persons .....	2
4	Support equipment .....	2
5	Consumables, materials and expendables .....	2
6	Spares .....	2

#### List of figures

1	Loosen the clamp screw with the Allen wrench .....	4
2	Loosen the clamp bolt .....	6

### *References*

*Table 1 References*

Data module / Technical publication	Title
None	

### *Preliminary requirements*

#### Required conditions

*Table 2 Required conditions*

Action / Condition	Data module / Technical publication
The bicycle is held safely on a work stand.	

## Required persons

Table 3 Required persons

Persons	Category	Skill level	Trade/Trade code	Estimated time
Man A	Bike rider	Intermediate	Operator	1,5 h

## Support equipment

Table 4 Support equipment

Name	Manufacturer / Part No.	Quantity	Remark
Set of Allen wrenches	MFR: KZ666 /PN: BSK-TLST-001-13	1 EA	
Work stand	MFR: KZ555 /PN: Stand-001	1 EA	

## Consumables, materials and expendables

Table 5 Consumables, materials and expendables

Name	Manufacturer / Part No.	Quantity	Remark
None			

## Spares

Table 6 Spares

Name	Manufacturer / Part No.	Quantity	Remark
None			

## Safety conditions

### **WARNING**

**Do not ride a bicycle with no grips on the handlebar. This can cause the hands of the rider to slip.**

### **Procedure**

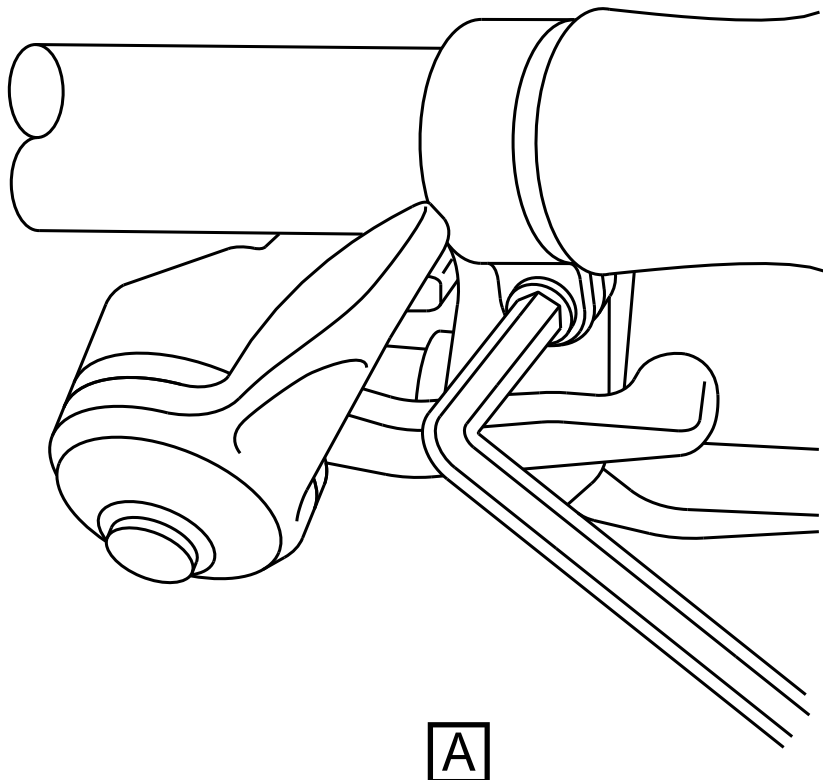
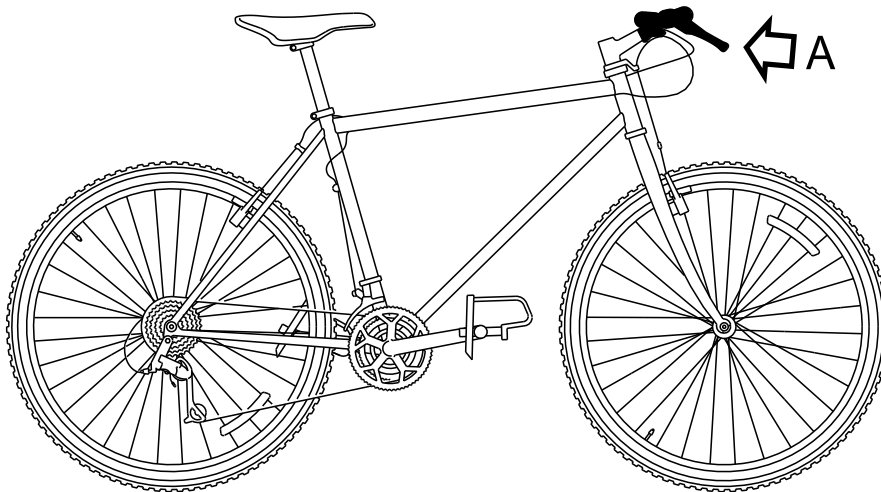
#### **1 Remove the grips**

- 1.1 Put a long thin screwdriver below the grip and apply water between the grip and the handle bar.
- 1.2 Turn the grip forwards and rearwards to loosen it and then pull it off the end of the handlebar.

#### **2 Remove the brake and the shift levers from the handlebars**

---

2.1 Loosen the clamp screw (refer to [Fig 1](#) ) which is behind or below the brake lever (as shown).



ICN-S1000DBIKE-AAA-DA22000-0-U8025-00518-A-04-1

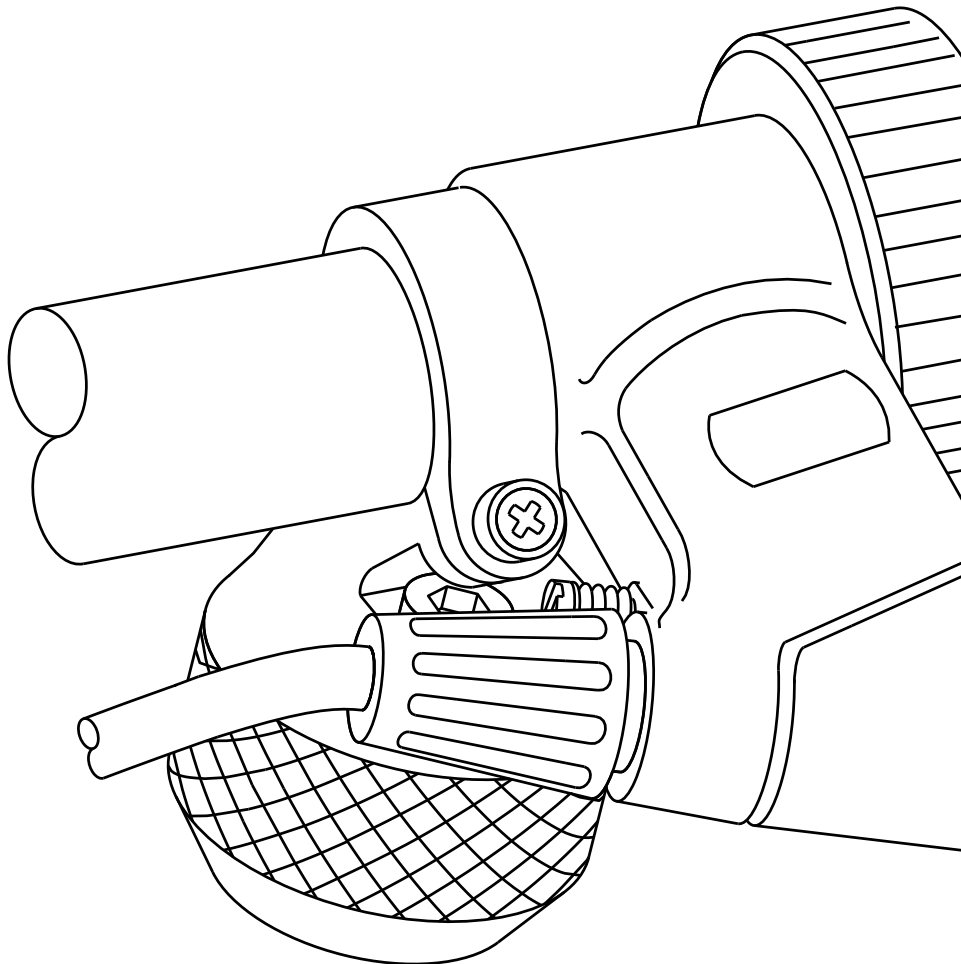
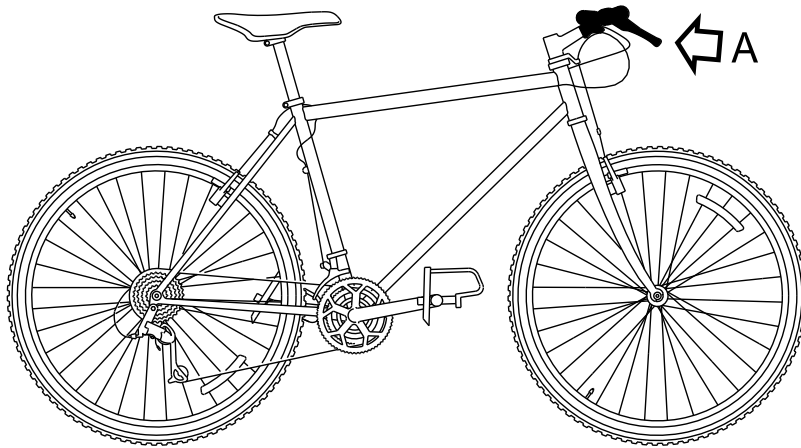
*Fig 1 Loosen the clamp screw with the Allen wrench*

- 
- 2.2 Remove the lever and the mount from the handlebar.
  - 2.3 Loosen the clamp bolt and remove the shifter from the handlebar.

### 3 Remove the handlebar

This is a dummy paragraph, inserted only for Svante's strang requests.

Use a [Set of Allen wrenches](#) and loosen the clamp bolt (refer to [Fig 2](#)). To remove, move the handlebar out of the stem.



ICN-S1000DBIKE-AAA-DA22000-0-U8025-00517-A-04-1

Fig 2 Loosen the clamp bolt

Produced by Docuneering Ltd

Applicable to: Mountain bicycle  
and (Mountain storm Mk1 or  
Brook trekker Mk9)

S1000DBIKE-AAA-DA2-20-00-00AA-520A-A



---

***Requirements after job completion***

None

Intentionally left blank.

## Handlebar

### *Install procedures*

#### Table of contents

	Page
Install procedures .....	1
References .....	1
Preliminary requirements .....	1
Procedure .....	3

#### List of tables

1	References .....	1
2	Required conditions .....	1
3	Required persons .....	1
4	Support equipment .....	2
5	Consumables, materials and expendables .....	2
6	Spares .....	2

### *References*

*Table 1 References*

Data module / Technical publication	Title
None	

### *Preliminary requirements*

#### Required conditions

*Table 2 Required conditions*

Action / Condition	Data module / Technical publication
The bicycle is held safely on work stand. Refer to ( <a href="#">Work stand</a> )	

#### Required persons

*Table 3 Required persons*

Persons	Category	Skill level	Trade/Trade code	Estimated time
Man A	Bike rider	Intermediate	Operator	1,5 h

---

## Support equipment

*Table 4 Support equipment*

Name	Manufacturer / Part No.	Quantity	Remark
Set of Allen wrenches	MFR: KZ666 /PN: BSK-TLST-001-13	1 EA	
Extra firm hold hairspray	MFR: HS111 /PN: HSP-D001	1 EA	
Work stand	MFR: KZ555 /PN: Stand-001	1 EA	

## Consumables, materials and expendables

*Table 5 Consumables, materials and expendables*

Name	Manufacturer / Part No.	Quantity	Remark
None			

## Spares

*Table 6 Spares*

Name	Manufacturer / Part No.	Quantity	Remark
Handlebar	MFR: KZ555 /PN: Hd-001	1 EA	
Brake lever	MFR: KT444 /PN: BR-LVRS-001	1 EA	
Shifter lever	MFR: KZ555 /PN: SI-001	1 EA	
Brake lever mount	MFR: KT444 /PN: BR-LVRS-001-01	1 EA	
Handlebar grips	MFR: KZ555 /PN: Hd-001-01	1 EA	
Handlebar plug	MFR: KZ555 /PN: Hd-001-02	1 EA	

## Safety conditions

### **WARNING**

**Do not ride the bicycle until the grips have become dry and are firmly held in position. If the grips are wet, your hands can move off the grips when you ride the bicycle.**

### **WARNING**

**Do not ride a bicycle with no grips on the handlebar.**

### **CAUTION**

**Make sure the handlebar is correctly aligned in the center of the stem.**

---

## Procedure

- 1 Put the [Handlebar](#) in the stem and tighten the clamp bolt with a [Set of Allen wrenches](#). Make sure the handlebar is correctly aligned in the center of the stem. Tighten the clamp bolt.
- 2 Put the [Brake lever](#) and [Shifter lever](#) on the handlebar.
  - 2.1 Move the [Shifter lever](#) on the [Handlebar](#) again and make sure you do not catch the cables.
  - 2.2 Tighten the clamp bolt.
- 2.3 Move the [Brake lever mount](#) and the brake lever on the [Handlebar](#) again.
  - 2.4 Tighten the clamp screw.
- 3 Replace the [Handlebar grips](#).
  - 3.1 Apply with the [Extra firm hold hairspray](#) to the [Handlebar grips](#) area of the [Brake lever mount](#).
  - 3.2 Before the [Extra firm hold hairspray](#) becomes dry, move the [Handlebar grips](#) into the correct position. Make sure the grip protects the end of the [Handlebar](#) or install a [Handlebar plug](#).

## Requirements after job completion

None

Intentionally left blank.

## Headset

### *Description of how it is made*

#### Table of contents

	Page
Description of how it is made .....	1
References .....	1
Description .....	1
1 Headset .....	1

#### List of tables

1 References .....	1
--------------------	---

#### List of figures

1 Headset .....	3
-----------------	---

### *References*

*Table 1 References*

Data module / Technical publication	Title
None	

### *Description*

#### 1 Headset

The headset (refer to [Fig 1](#)) is a pair of bearings on the two ends of the head tube of the frame. These bearings permit the fork to turn rearward and forward (for example, to let the rider turn the handlebars for the steering).

The headset (refer to [Fig 1](#)) includes the parts that follow:

- The bearing races that push into the head tube
- a bearing race that pushes on the fork steerer tube
- an adjustable upper race
- two sets of ball bearings

A headset has cups that are pushed into the head tube and a ring on the fork. All three must be fully parallel. It is usually necessary to remove rough paint to get all three fully parallel.

The upper race installs onto the steerer tube with a thread. A locknut is used to safety the upper race.

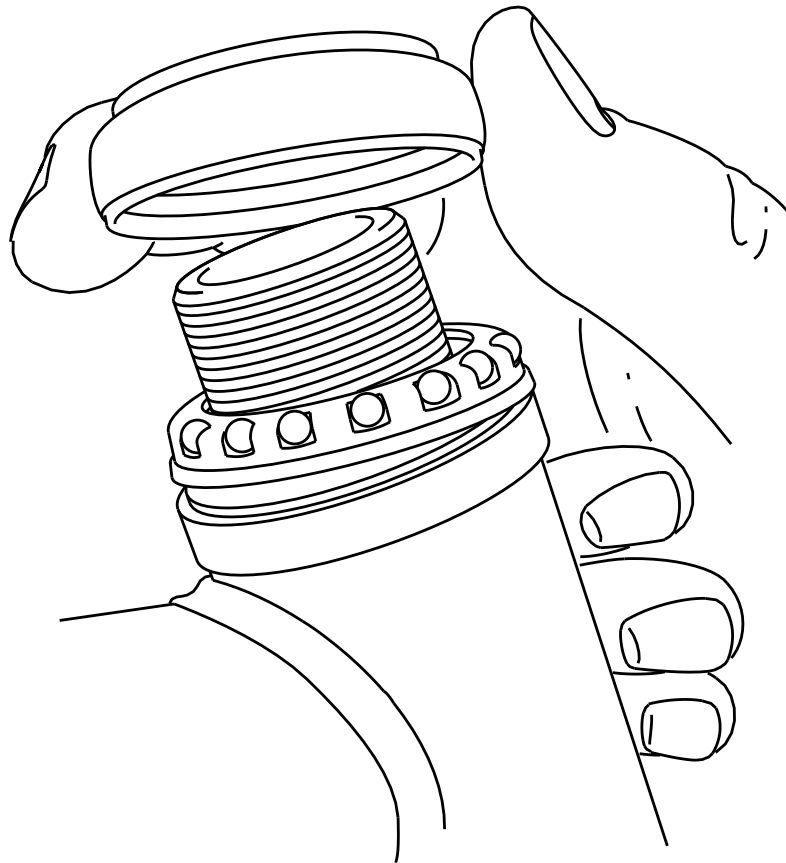
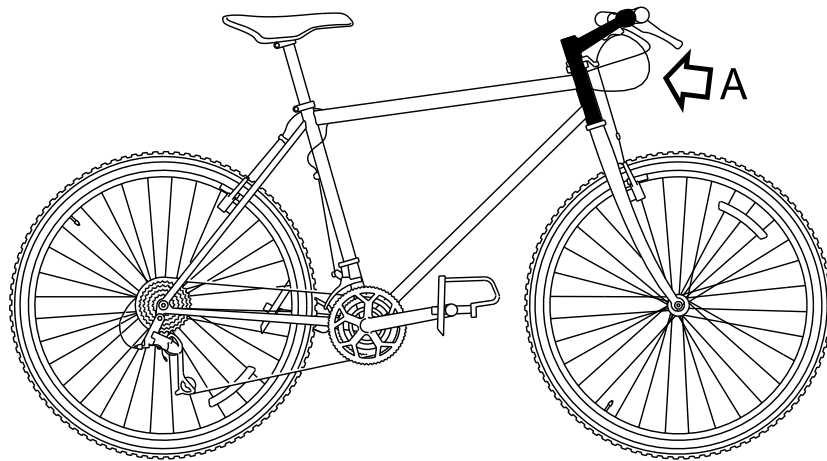
A clamp bolt holds the stem to the steerer tube.

---

The fourth remaining bearing race is part of a nut that installs on the threaded top end of the fork. This is done after you install it in the head tube. It is sometimes necessary for some headsets to have more thread at the top of the head tube. If the fork is too long, the spacer rings can be installed. If it is too short, there is a limit to the number of headsets you can use.

For an illustration of the parts of the headset (refer to [Fig 1](#)).





A

ICN-S1000DBIKE-AAA-DA23000-0-U8025-00533-A-04-1

Fig 1 Headset

Intentionally left blank.

## Headset

### *Remove procedures*

#### Table of contents

	Page
Remove procedures .....	1
References .....	1
Preliminary requirements .....	1
Procedure .....	2

#### List of tables

1	References .....	1
2	Required conditions .....	1
3	Required persons .....	2
4	Support equipment .....	2
5	Consumables, materials and expendables .....	2
6	Spares .....	2

#### List of figures

1	Lift the upper bearing cup .....	3
---	----------------------------------	---

### *References*

*Table 1 References*

Data module / Technical publication	Title
<a href="#">S1000DBIKE-AAA-DA2-10-00-00AA-520A-A</a>	Stem – Remove procedures

### *Preliminary requirements*

#### Required conditions

*Table 2 Required conditions*

Action / Condition	Data module / Technical publication
The bicycle is safely held on a work stand	

## Required persons

Table 3 Required persons

Persons	Category	Skill level	Trade/Trade code	Estimated time
Man A	Bike Rider	Intermediate	Operator	0,5 h

## Support equipment

Table 4 Support equipment

Name	Manufacturer / Part No.	Quantity	Remark
Work stand	MFR: Bikey /PN: Stand-001	1 EA	

## Consumables, materials and expendables

Table 5 Consumables, materials and expendables

Name	Manufacturer / Part No.	Quantity	Remark
None			

## Spares

Table 6 Spares

Name	Manufacturer / Part No.	Quantity	Remark
None			

## Safety conditions

### NOTE

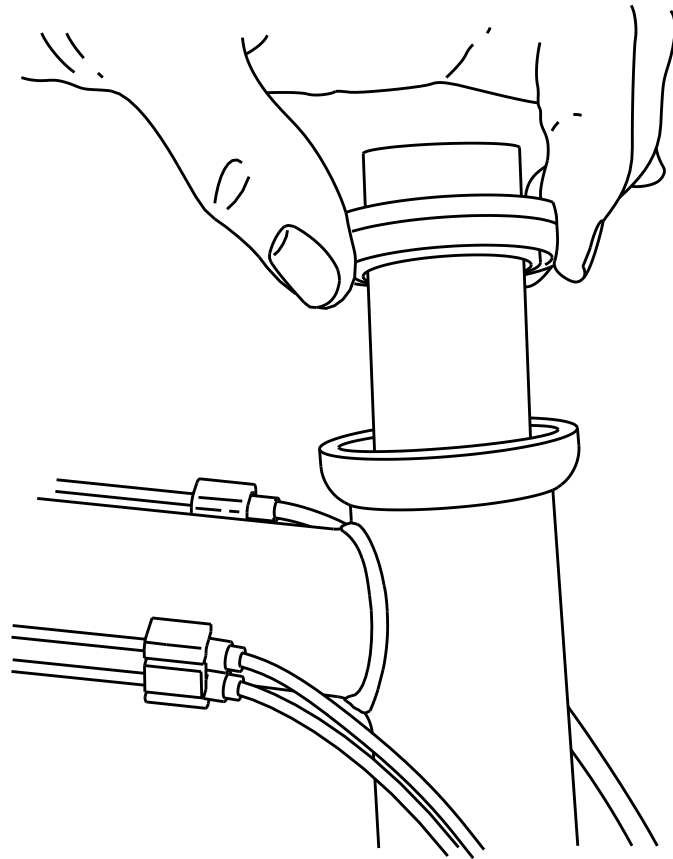
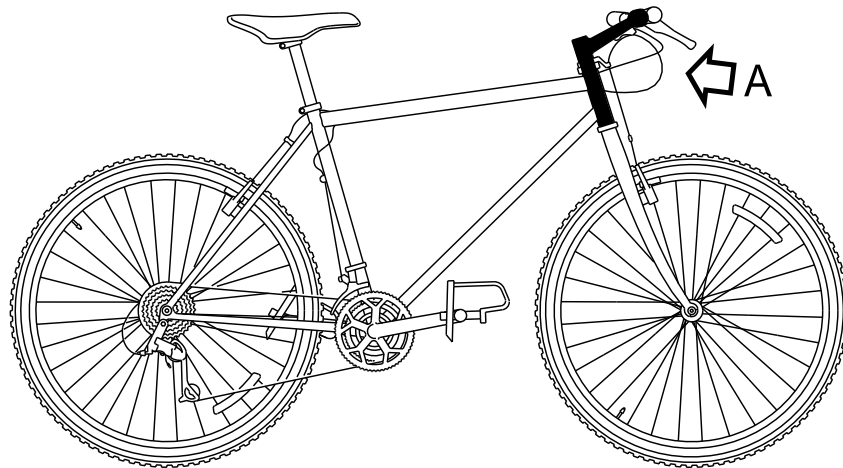
It is not necessary to remove the handlebar for this procedure.

## Procedure

- 1 Remove the stem (refer to [S1000DBIKE-AAA-DA2-10-00-00AA-520A-A](#)).
- 2 Remove:
  - the spacers
  - the brake cable hangar
  - the dust seals
  - the conical expansion washer(s) from the steerer tube
- 3 Lift the upper bearing cup off (refer to [Fig 1](#)) and then remove the fork from the frame.

Applicable to: Mountain bicycle  
and (Mountain storm Mk1 or  
Brook trekker Mk9)

S1000DBIKE-AAA-DA2-30-00-00AA-520A-A



A

ICN-S1000DBIKE-AAA-DA23000-0-U8025-00532-A-04-1

Fig 1 Lift the upper bearing cup

---

***Requirements after job completion***

None

## Headset

### *Install procedures*

#### Table of contents

	Page
Install procedures .....	1
References .....	1
Preliminary requirements .....	1
Procedure .....	2

#### List of tables

1	References .....	1
2	Required conditions .....	1
3	Required persons .....	1
4	Support equipment .....	2
5	Consumables, materials and expendables .....	2
6	Spares .....	2

### *References*

*Table 1 References*

Data module / Technical publication	Title
<a href="#">S1000DBIKE-AAA-DA2-10-00-00AA-720A-A</a>	Stem – Install procedures

### *Preliminary requirements*

#### Required conditions

*Table 2 Required conditions*

Action / Condition	Data module / Technical publication
The bicycle is safely held on a work stand	

#### Required persons

*Table 3 Required persons*

Persons	Category	Skill level	Trade/Trade code	Estimated time
Man A	Bike Rider	Intermediate	Operator	1,5 h

## Support equipment

Table 4 Support equipment

Name	Manufacturer / Part No.	Quantity	Remark
Work stand	MFR: Stand /PN: Stand-001	1 EA	

## Consumables, materials and expendables

Table 5 Consumables, materials and expendables

Name	Manufacturer / Part No.	Quantity	Remark
None			

## Spares

Table 6 Spares

Name	Manufacturer / Part No.	Quantity	Remark
Frame fork	MFR: KZ555 /PN: St-001-02	1 EA	
Upper bearing cup	MFR: KZ555 /PN: St-001-03	1 EA	
Brake cable hangar	MFR: KT444 /PN: BR-LVRS-002	1 EA	
Dust seal	MFR: KZ555 /PN: St-001-04	1 EA	
Conical expansion washer	MFR: KZ555 /PN: St-001-05	1 EA	

## Safety conditions

None

## Procedure

- 1 Install the [Frame fork](#) on the frame.
- 2 Install the [Upper bearing cup](#).
- 3 Install the components that follow on the steering tube:
  - the [Brake cable hangar](#)
  - the [Dust seal](#)
  - the [Conical expansion washer](#)
- 4 Install the stem (refer to [S1000DBIKE-AAA-DA2-10-00-00AA-720A-A](#)).



---

***Requirements after job completion***

None

Intentionally left blank.

## Frame

### *Description of how it is made*

#### Table of contents

	Page
Description of how it is made .....	1
References .....	1
Description .....	1
1 The bicycle frame .....	1

#### List of tables

1 References .....	1
--------------------	---

#### List of figures

1 Welded frame joints .....	2
2 Frame .....	3

### **References**

*Table 1 References*

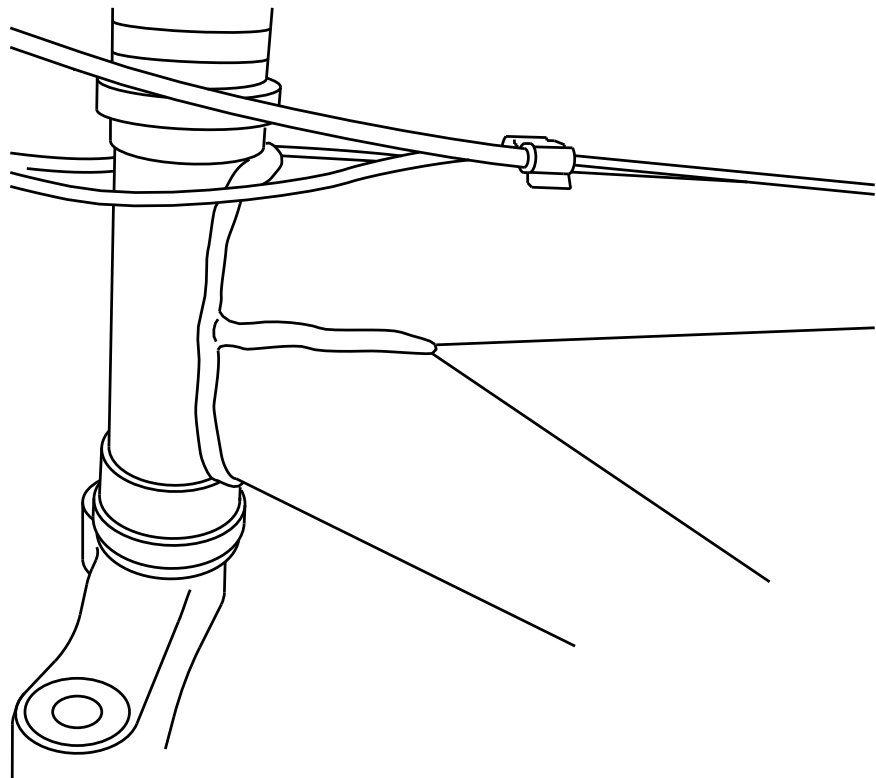
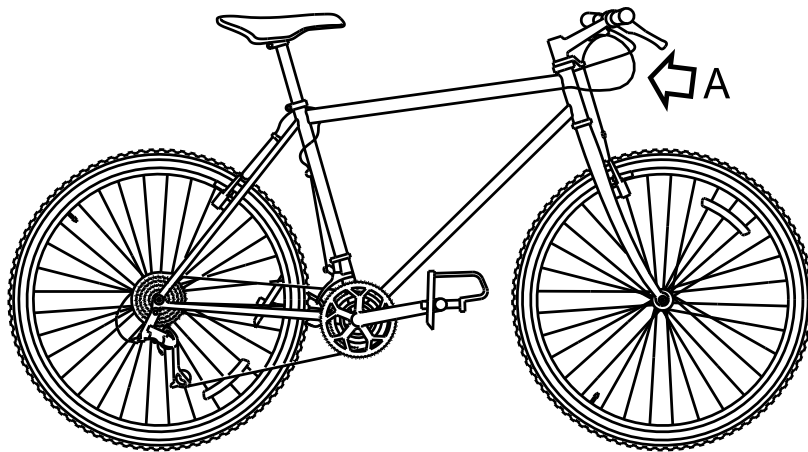
Data module / Technical publication	Title
None	

### **Description**

#### **1 The bicycle frame**

The frame is the skeleton, the primary part of your bicycle. Its structure makes the bicycle resistant to large forces.

The initial frames (refer to [Fig 1](#)) were tubes of aluminum or steel welded together.

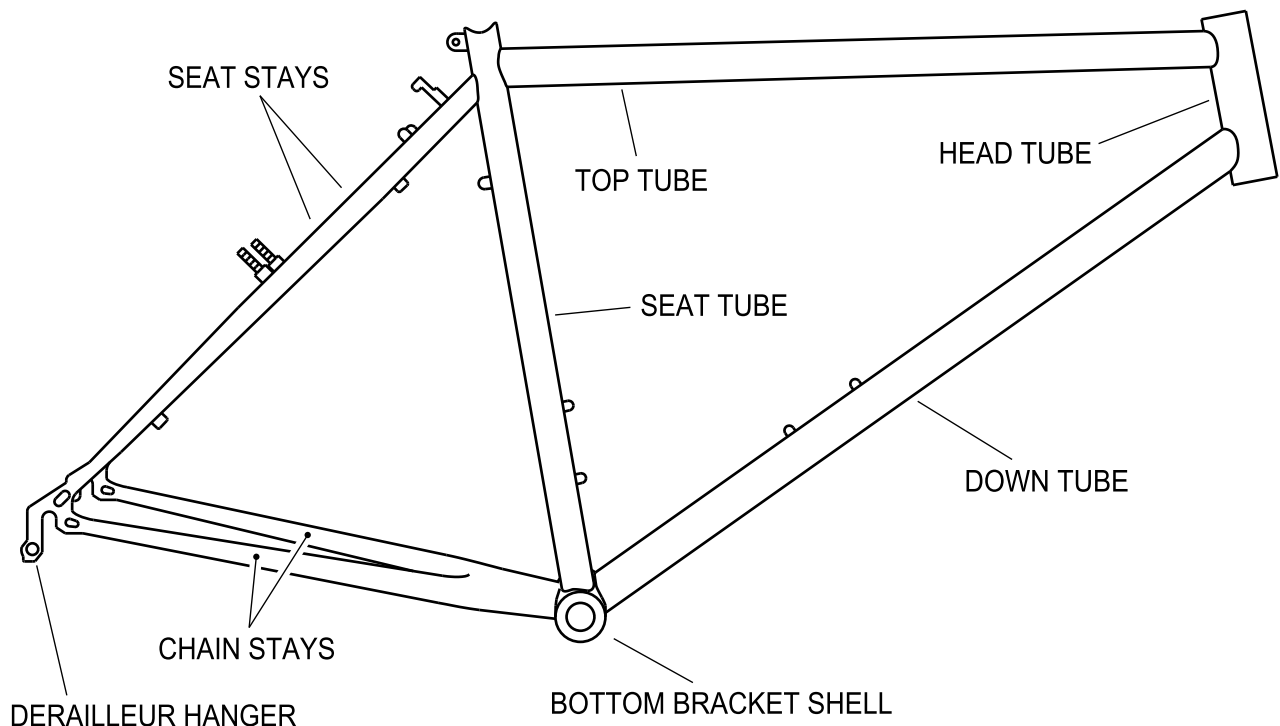


A

ICN-S1000DBIKE-AAA-DA30000-0-U8025-00534-A-04-1

Fig 1 Welded frame joints

Subsequent frames (refer to Fig 2) can be made out of a wide variety of materials, including aluminium, titanium, or chrome moly.



ICN-S1000DBIKE-AAA-DA30000-0-U8025-00503-A-04-1

Fig 2 Frame

are different and can also be of different materials (forexample, titanium or chrome moly). Some bicycle frames are of carbon fiber. To get this material, it is necessary to put sheets of carbon fiber cloth on foam forms and epoxy them in position. This procedure gives a very light, strong structure that can have different shapes.

The frame includes the parts that follow:

- the top tube (the higher bar of the bicycle frame)
- the down tube (the section of the frame that extends from the stem to the bottom bracket)
- the head tube (the part of the frame that the fork steerer tube goes through)
- the seat tube (the vertical part of the frame that is the rear of the front triangle and that is between the bottom bracket and the top tube)
- the seat stay (the tube that includes the distance between the seat tube and the rear dropouts)
- the chain stay (the tube that is the bottom part of the rear triangle)

Intentionally left blank.

## Horn

### *Isolated fault*

#### Fault codes

Fault code	Fault description
<a href="#">NYCJD03</a>	Horn failed

#### Table of contents

	Page
Isolated fault .....	1
References .....	1
Fault reporting .....	1

#### List of tables

1	References .....	1
---	------------------	---

### *References*

*Table 1 References*

Data module / Technical publication	Title
<a href="#">S1000DBIKE-AAA-DA3-10-00-00AA-921A-A</a>	Horn – Remove and install a new item

### *Fault reporting*

#### Fault code

NYCJD03

#### Fault description

Horn failed

#### Locate and repair

##### 1 Locate and repair LRU

##### Line replaceable unit

Nomenclature	Identification
Horn	MFR: KZ444/PN: Horn-001

---

Repair procedures:..... [S1000DBIKE-AAA-DA3-10-00-00AA-921A-A](#)



## Horn

### *Remove and install a new item*

#### Table of contents

	Page
Remove and install a new item .....	1
References .....	1
Preliminary requirements .....	1
Procedure .....	2

#### List of tables

1	References .....	1
2	Required conditions .....	1
3	Required persons .....	1
4	Support equipment .....	2
5	Consumables, materials and expendables .....	2
6	Spares .....	2

### *References*

*Table 1 References*

Data module / Technical publication	Title
Local Disposal Procedures	

### *Preliminary requirements*

#### Required conditions

*Table 2 Required conditions*

Action / Condition	Data module / Technical publication
None	

#### Required persons

*Table 3 Required persons*

Persons	Category	Skill level	Trade/Trade code	Estimated time
As required				

---

## Support equipment

*Table 4 Support equipment*

Name	Manufacturer / Part No.	Quantity	Remark
Specialist toolset	MFR: KZ666 /PN: BSK-TLST-001	1 EA	
8mm Allen wrench	MFR: KZ666 /PN: BSK-TLST-001-08	1 EA	

## Consumables, materials and expendables

*Table 5 Consumables, materials and expendables*

Name	Manufacturer / Part No.	Quantity	Remark
None			

## Spares

*Table 6 Spares*

Name	Manufacturer / Part No.	Quantity	Remark
Horn	MFR: KZ444 /PN: Horn-001	1 EA	

## Safety conditions

None

### ***Procedure***

- 1 Safely hold the bicycle.
- 2 Remove the horn.
  - 2.1 Use the 8mm Allen wrench from the [Specialist toolset](#) and remove the two Allen screws.
  - 2.2 Remove the horn.
- 3 Install the new [Horn](#).
  - 3.1 Install the new [Horn](#) on the handlebars.
  - 3.2 Use the [8mm Allen wrench](#) from the [Specialist toolset](#) and tighten the two Allen screws.

### ***Requirements after job completion***

#### **Local Disposal Procedures**

---

Applicable to: Mountain bicycle  
and (Mountain storm Mk1 or  
Brook trekker Mk9)

**S1000DBIKE-AAA-DA3-10-00-00AA-921A-A**  
**End of data module**  
**UNCLASSIFIED**

**2003-12-31 Page 2**

## Drivetrain

### *Description of how it is made*

#### Table of contents

	Page
Description of how it is made .....	1
References .....	1
Description .....	1
1 Drive train .....	1

#### List of tables

1 References .....	1
--------------------	---

### *References*

*Table 1 References*

Data module / Technical publication	Title
None	

### *Description*

#### 1 Drive train

The drive train is the group of components that are necessary for the operation of the bicycle. The drive train is the primary system for the movement of the bicycle. A typical drive train has the chain wheels, the chain, the pedals and the saddle.

Since the drive train has many components, it is necessary to do a regular maintenance. The drive train maintenance is easy and the user can disassemble and assemble each part of the drive train. Because of this, when one part is defective, it is possible to remove and replace it with a new one.

Intentionally left blank.

## Chain

### *Oil*

#### Table of contents

	Page
Oil .....	1
References .....	1
Preliminary requirements .....	1
Procedure .....	3

#### List of tables

1	References .....	1
2	Required conditions .....	1
3	Required persons .....	2
4	Support equipment .....	2
5	Consumables, materials and expendables .....	2
6	Spares .....	2

#### List of figures

1	Derailleur pivots .....	4
2	Derailleur tension .....	5
3	Brake lever pivots .....	6
4	Lubricate the chain .....	8

### **References**

*Table 1 References*

Data module / Technical publication	Title
None	

### **Preliminary requirements**

#### Required conditions

*Table 2 Required conditions*

Action / Condition	Data module / Technical publication
The bicycle chain is clean and dry	

## Required persons

Table 3 Required persons

Persons	Category	Skill level	Trade/Trade code	Estimated time
Man A	Operator	Intermediate	Bike rider	0,5 h

## Support equipment

Table 4 Support equipment

Name	Manufacturer / Part No.	Quantity	Remark
Clean dry cloth	MFR: KZ666 /PN: BSK-TLST-001-12	1 EA	
Floor covering	MFR: KK999 /PN: PPP-001	1 pack	

## Consumables, materials and expendables

Table 5 Consumables, materials and expendables

Name	Manufacturer / Part No.	Quantity	Remark
Wet lube	MFR: KZ222 /PN: LL-007	1 dl	
Dry lube	MFR: KZ222 /PN: LL-006	1 dl	

## Spares

Table 6 Spares

Name	Manufacturer / Part No.	Quantity	Remark
None			

## Safety conditions

### **WARNING**

**Dry Lube is a very dangerous substance. Do not get it onto your skin. Use it in a well ventilated area. If you swallow it seek immediate medical advice. If it gets into your eyes wash your eyes in clean water and seek medical advice.**

### **WARNING**

**Wet Lube is a very dangerous substance. Do not get it onto your skin. Use it in a well ventilated area. If you swallow it seek immediate medical advice. If it gets into your eyes wash your eyes in clean water and seek medical advice.**

---

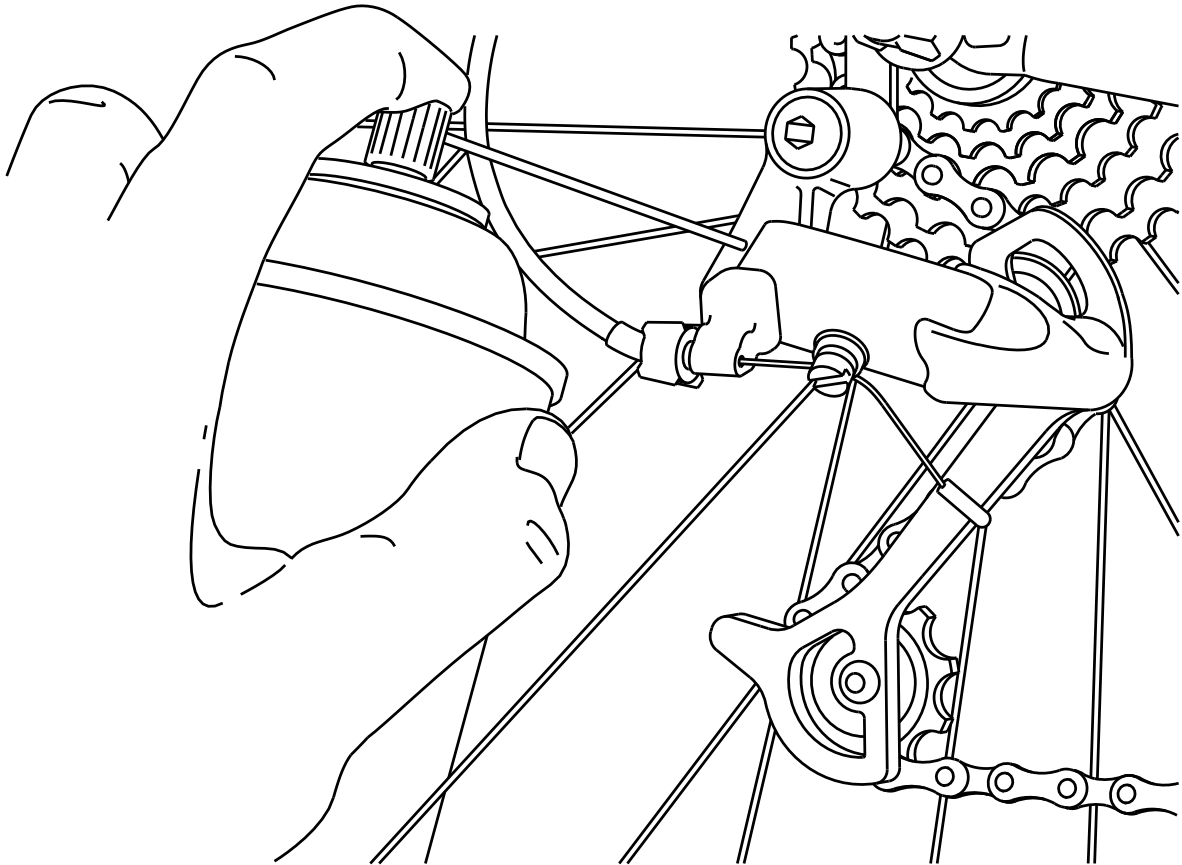
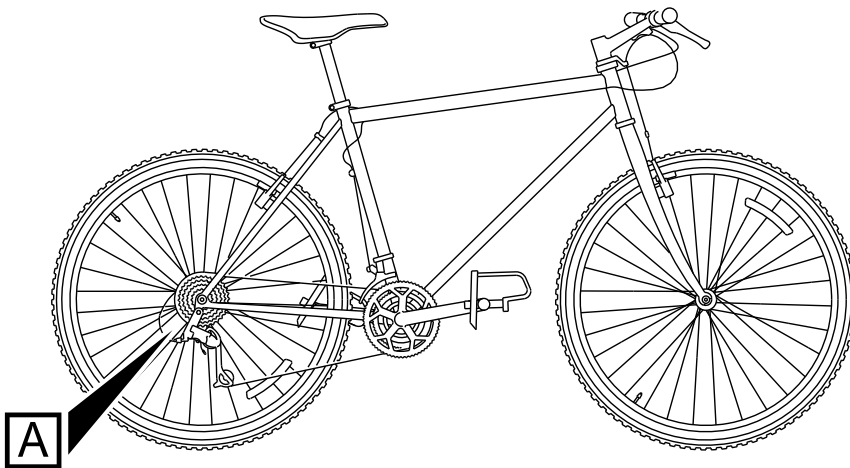
## *Procedure*

1 Apply the penetrating lubricant into all the parts of the bike that move. This includes:

- derailleur pivots (refer to [Fig 1](#))
- derailleur tension (refer to [Fig 2](#))
- brake lever pivots (refer to [Fig 3](#))

These brake lever pivots include:

- derailleur pivots
- derailleur tension
- guide wheels
- brake lever pivots
- control cables and where they go into their casings

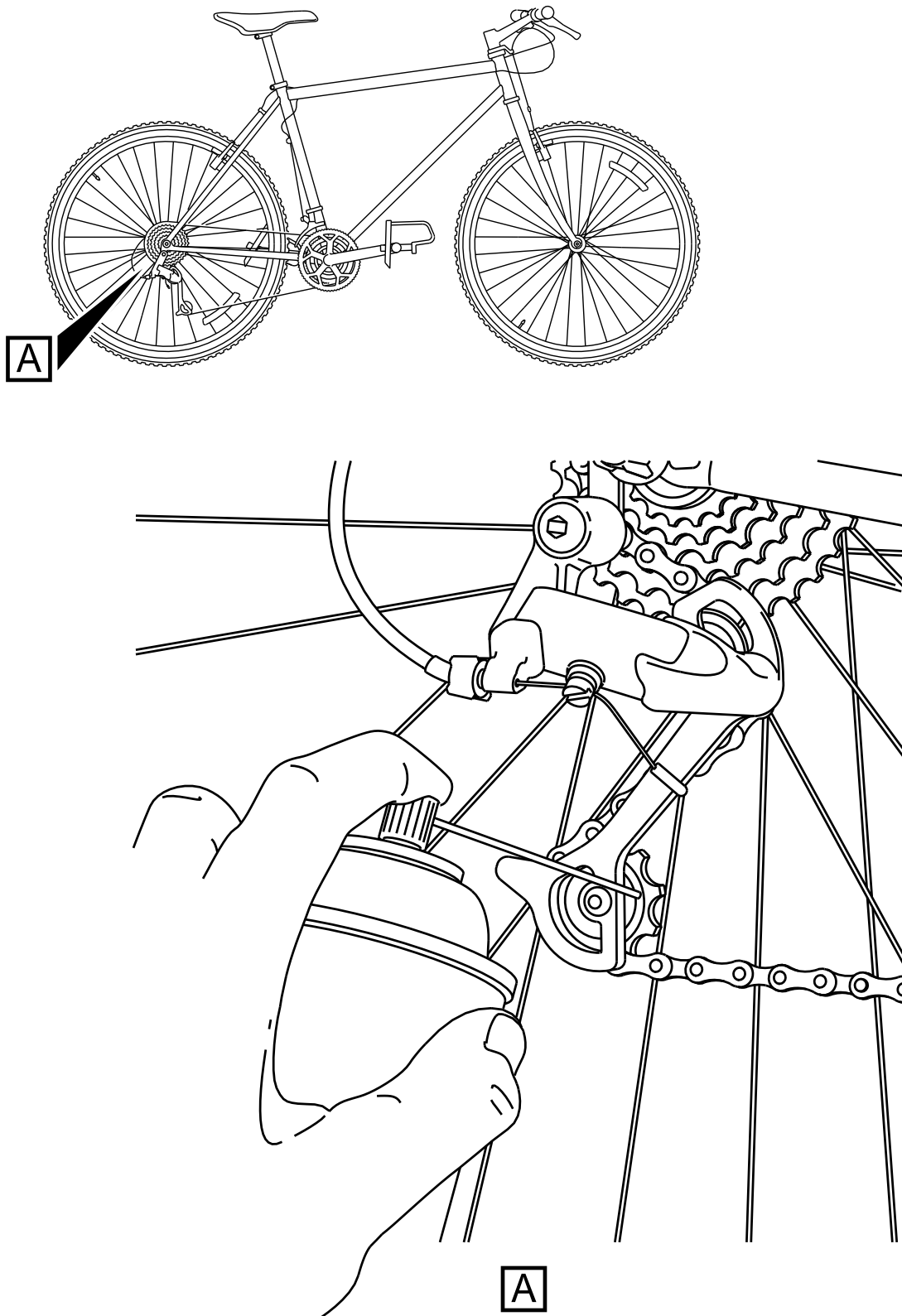


**A**

ICN-S1000DBIKE-AAA-DA51000-0-U8025-00521-A-04-1

Fig 1 Derailleur pivots





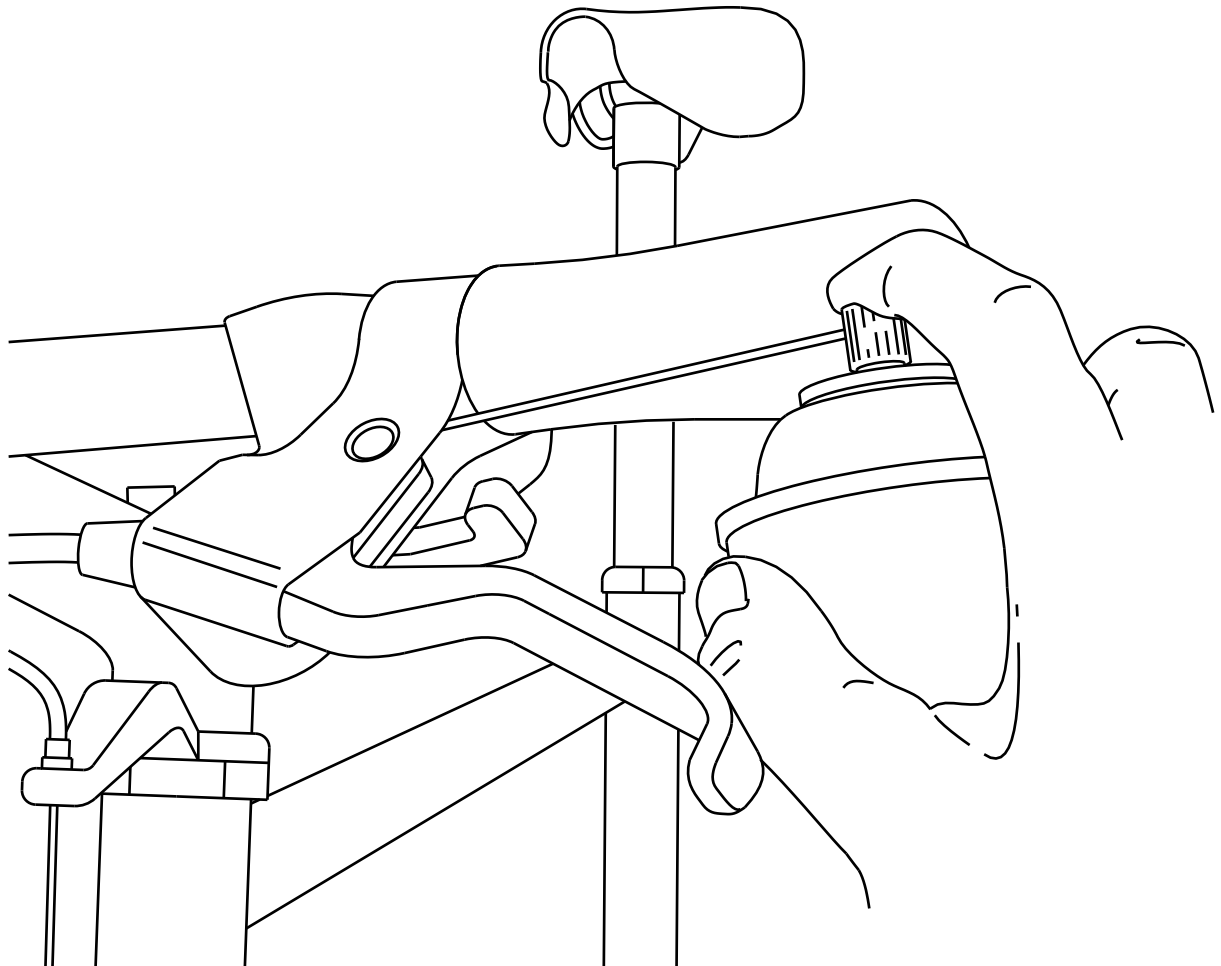
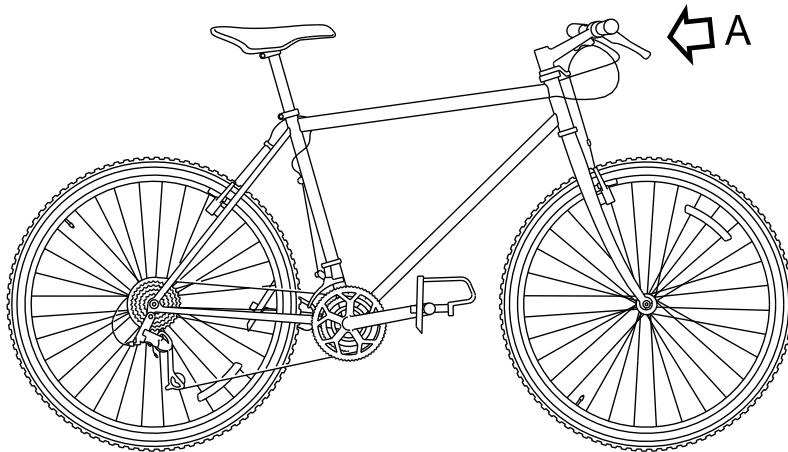
ICN-S1000DBIKE-AAA-DA51000-0-U8025-00522-A-04-1

Fig 2 Derailleur tension

Produced by Docuneering Ltd

Applicable to: Mountain bicycle  
and (Mountain storm Mk1 or  
Brook trekker Mk9)

S1000DBIKE-AAA-DA4-10-00-00AA-241A-A



**A**

ICN-S1000DBIKE-AAA-DA10000-0-U8025-00516-A-04-1

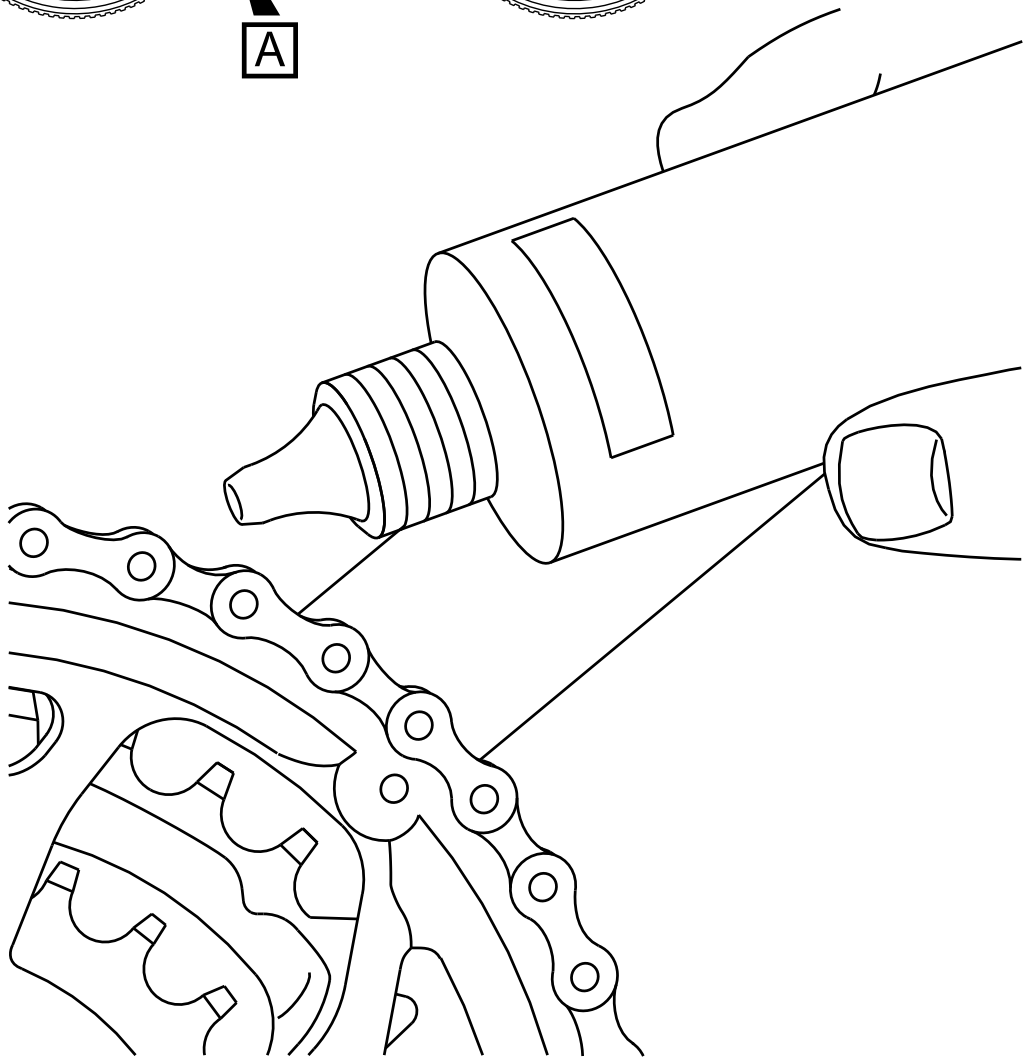
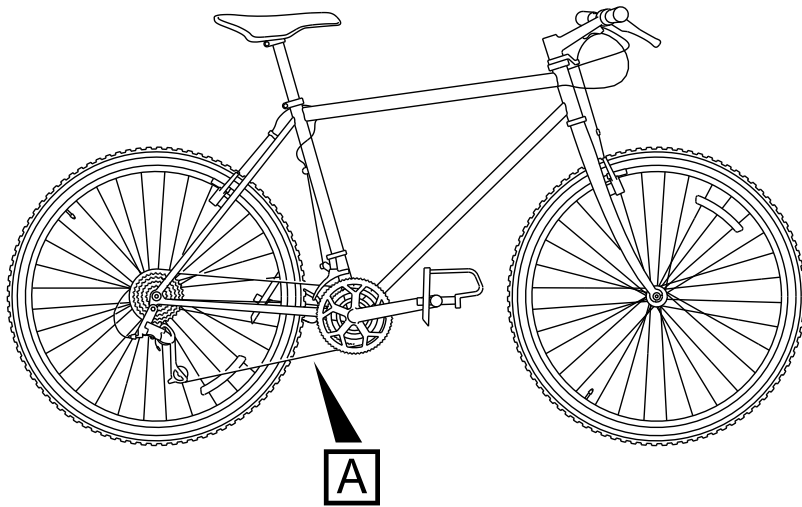
*Fig 3 Brake lever pivots*

Produced by Docuneering Ltd

Applicable to: Mountain bicycle  
and (Mountain storm Mk1 or  
Brook trekker Mk9)

**S1000DBIKE-AAA-DA4-10-00-00AA-241A-A**

- 
- 2 Lubricate the chain.
  - 2.1 Make sure the chain is clean and dry.
  - 2.2 Put the [Floor covering](#) on the floor below the chain.
  - 2.3 Use a [Dry lube](#) for dry conditions.
  - 2.4 Use a [Wet lube](#) for wet conditions
  - 2.5 Apply the lubricant to each roller of the chain (refer to [Fig 4](#)) but only apply a small quantity.



A

ICN-S1000DBIKE-AAA-DA41000-0-U8025-00528-A-04-1

Fig 4 Lubricate the chain

Produced by Docuneering Ltd

Applicable to: Mountain bicycle  
and (Mountain storm Mk1 or  
Brook trekker Mk9)

S1000DBIKE-AAA-DA4-10-00-00AA-241A-A

---

2.6 Hold the nozzle of the container above the front of the chain ring and slowly turn the cranks rearwards.

2.7

**CAUTION**

**Do not get lubrication oil into the brake system. Oil in the break system can affect the efficiency of the bake system. Do not get oil onto the floor where it can easily get transferred onto the brake system.**

Let the lubricant soak into chain before you clean the unwanted lubricant from the chain.

3 Do a check of the rear wheel rim and clean the unwanted lubricant if necessary.

4 Do a check of the chain to make sure that each link is lubricated. If there are links that do not move easily or have become frozen, lubricate the chain again (refer to [Step 2](#)).

5 Do a check of the remaining lubricated parts and clean the unwanted lubricant with a [Clean dry cloth](#).

## ***Requirements after job completion***

None

Intentionally left blank.

## Chain

### *Clean with chain cleaning fluid*

#### Table of contents

	Page
Clean with chain cleaning fluid .....	1
References .....	1
Preliminary requirements .....	1
Procedure .....	2

#### List of tables

1	References .....	1
2	Required conditions .....	1
3	Support equipment .....	1
4	Consumables, materials and expendables .....	2
5	Spares .....	2

### **References**

*Table 1 References*

Data module / Technical publication	Title
S1000DBIKE-AAA-D00-00-00-00AA-121A-A	Bicycle – Pre-operation procedures (crew)

### **Preliminary requirements**

#### Required conditions

*Table 2 Required conditions*

Action / Condition	Data module / Technical publication
None	

#### Support equipment

*Table 3 Support equipment*

Name	Manufacturer / Part No.	Quantity	Remark
Stiff bristle brush	MFR: KZ666 /PN: BSK-TLST-001-02	1 EA	
Chain cleaning fluid	MFR: KZ222 /PN: LL-003	As required	
Chain cleaning tool	MFR: KZ666 /PN: BSK-TLST-001-03	1 EA	

Applicable to: Mountain bicycle  
and (Mountain storm Mk1 or  
Brook trekker Mk9)

**S1000DBIKE-AAA-DA4-10-00-00AA-251B-A**

## Consumables, materials and expendables

Table 4 Consumables, materials and expendables

Name	Manufacturer / Part No.	Quantity	Remark
Floor covering	MFR: KK999 /PN: PPP-001	1 pack	
General lubricant	MFR: KZ222 /PN: LL-001	As required	

## Spares

Table 5 Spares

Name	Manufacturer / Part No.	Quantity	Remark
None			

## Safety conditions

None

## Procedure

- 1 Inspect the chain.  
Do the inspection of the chain as given in the pre-ride checks (refer to [S1000DBIKE-AAA-D00-00-00-00AA-121A-A](#)).
- 2 Prepare the cleaning area.
  - 2.1 Put the [Floor covering](#) on a satisfactory floor area.
  - 2.2 Put the bicycle on the floor covering.
- 3 Clean debris from the chain.
  - 3.1 Use the [Stiff bristle brush](#) and loosen as much unwanted material as possible.
  - 3.2 Make sure that you remove all the unwanted material from the chain.
- 4 Clean the chain.
  - 4.1 Open the [Chain cleaning tool](#) and fill with the [Chain cleaning fluid](#).
  - 4.2 Move the chain to the middle chainring and the middle sprocket at the rear.
  - 4.3 Put the chain in the chain guides of the chain cleaning tool and lock the tool on the chain.
  - 4.4 Hold the tool with the left hand and slowly turn the rearwards with the right hand.
  - 4.5 Press the button on the cleaning tool to make sure that cleaning fluid flows until the tool is empty.
  - 4.6 If necessary, remove the unwanted chain cleaning fluid.



- 
- 5 Lubricate the chain.
  - 5.1 Use the [General lubricant](#) and lubricate the chain.
  - 5.2 Unlock and remove the cleaning tool.
  - 5.3 If necessary, remove the unwanted lubricant.

### ***Requirements after job completion***

- 1 Move the bicycle to its storage area and remove the floor covering.

Intentionally left blank.

**Drive train**

***Correlated fault***

**Fault codes**

<b>Fault code</b>	<b>Fault description</b>
100FC01	The pedal mechanism is jammed
200FC01	The derailleur is jammed

**Table of contents**

	Page
Correlated fault .....	1
References .....	1
Fault reporting .....	1

**List of tables**

1	References .....	1
---	------------------	---

***References***

*Table 1 References*

<b>Data module / Technical publication</b>	<b>Title</b>
None	

***Fault reporting***

**Fault code**

100FC01

**Fault description**

The pedal mechanism is jammed

**Isolate detected fault**

**1 Fault isolation test – LRU**

---

**Line replaceable unit**

---

**Nomenclature**

Bicycle chain

---

**Identification**MFR: KZ120/PN: Tchain-120

---

**Fault code**

200FC01

**Fault description**

The derailleur is jammed

**Isolate detected fault****1 Fault isolation test – LRU****Line replaceable unit**

---

**Nomenclature**

Bicycle chain

---

**Identification**MFR: KZ120/PN: Tchain-120

---

**Remarks**

Prepare the derailleur to put transmission chain back on pedal mechanism.

## Gears

### *Description of how it is made*

#### Table of contents

	Page
Description of how it is made .....	1
References .....	1
Description .....	1
1 Gears .....	1

#### List of tables

1 References .....	1
--------------------	---

### References

*Table 1 References*

Data module / Technical publication	Title
<a href="#">S1000DBIKE-AAA-DA5-10-00-00AA-041A-A</a>	Mechs – Description of how it is made
<a href="#">S1000DBIKE-AAA-DA5-30-00-00AA-041A-A</a>	Shifters – Description of how it is made

### Description

#### 1 Gears

The gears include the mechanism, the hubs and the shifters.

The description of the mechanisms is given in [S1000DBIKE-AAA-DA5-10-00-00AA-041A-A](#).

The description of the shifters is given in [S1000DBIKE-AAA-DA5-30-00-00AA-041A-A](#).

The bicycles of these days can have 27 gears or more. The mountain bikes use a set that includes:

- Three socket sprockets of different dimension on the front
- Nine socket sprockets of different dimensions at the rear

This set gives the gear ratios.

The shifters installed on the handlebars change the gears and operate the mechanisms (also known as derailleurs). These derailleurs are cable-actuated mechanisms. They move the chain from the different sprockets.

The hub is the center of the wheel and contains the axle and bearings.

The gears let the rider crank at the pedals at a constant movement on slopes of different angles.

Intentionally left blank.

## Mechs

### *Description of how it is made*

#### Table of contents

	Page
Description of how it is made .....	1
References .....	1
Description .....	1
1 Derailleur .....	1
1.1 Front derailleur .....	1
1.2 Rear derailleur .....	3

#### List of tables

1 References .....	1
--------------------	---

#### List of figures

1 Front derailleur .....	2
2 Rear derailleur .....	4

### **References**

*Table 1 References*

Data module / Technical publication	Title
None	

### **Description**

#### **1 Derailleur**

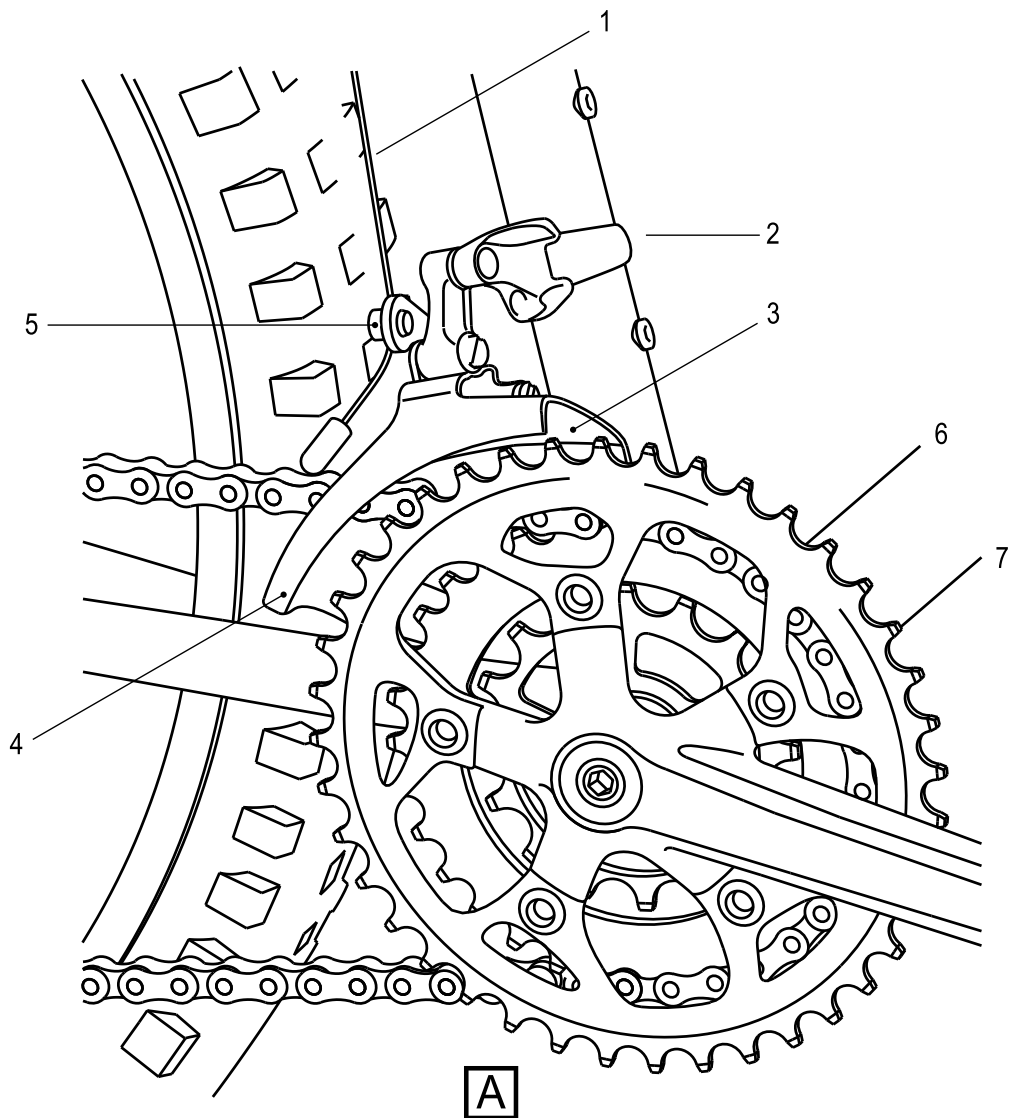
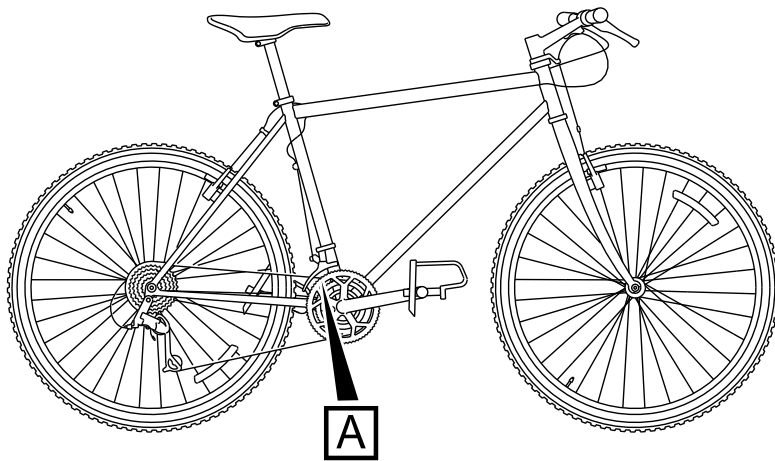
There are two different types of derailleur, the front and the rear.

##### **1.1 Front derailleur**

The front derailleur (refer to [Fig 1](#)) contains two types of screws to keep the movement of the derailleur to a minimum. These screws are:

- the stop screw low-gear
- the stop screw high-gear

The function of these screws is to prevent the rider from over shifting. If this occurs, the chain will go out of the chain wheel.



ICN-S1000DBIKE-AAA-DA51000-0-U8025-00519-A-04-1

Fig 1 Front derailleur

Produced by Docuneering Ltd

Applicable to: Mountain bicycle  
and (Mountain storm Mk1 or  
Brook trekker Mk9)

S1000DBIKE-AAA-DA5-10-00-00AA-041A-A



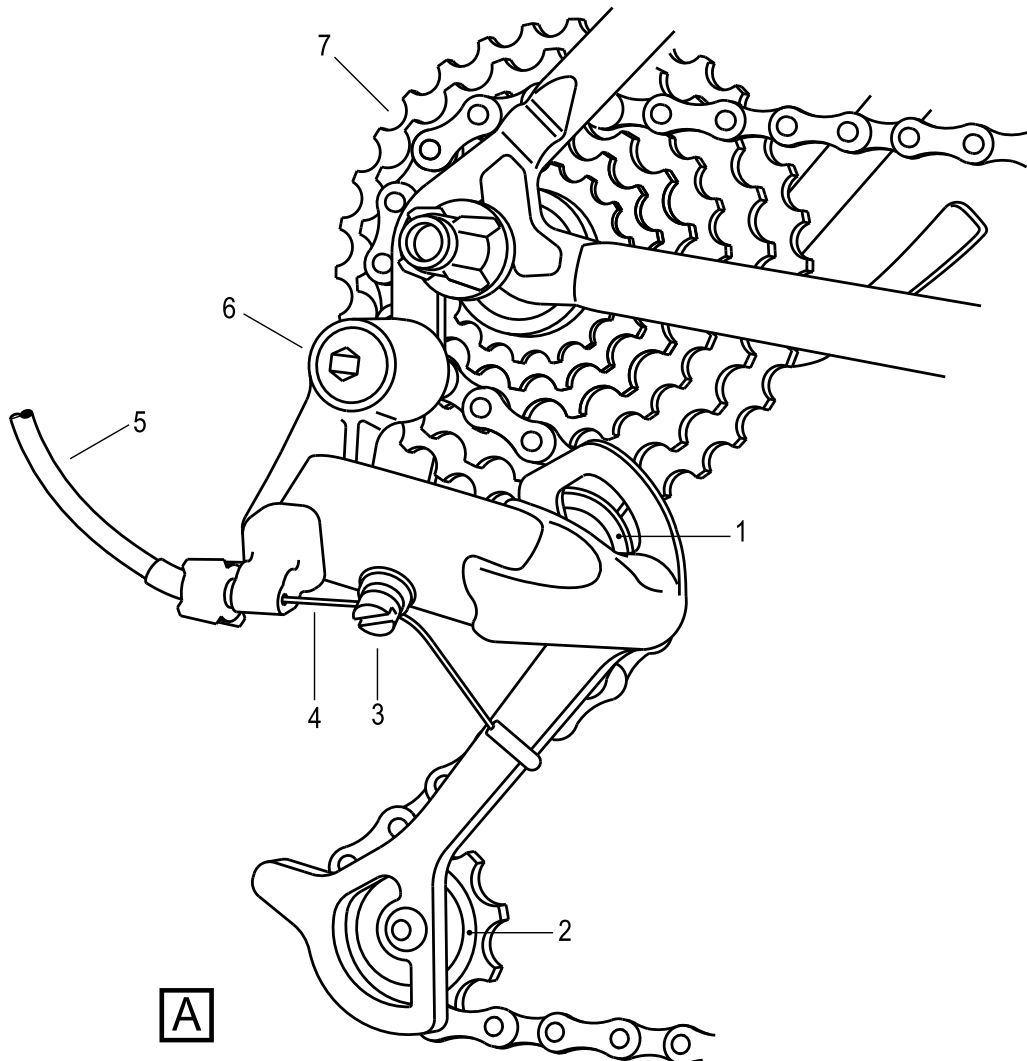
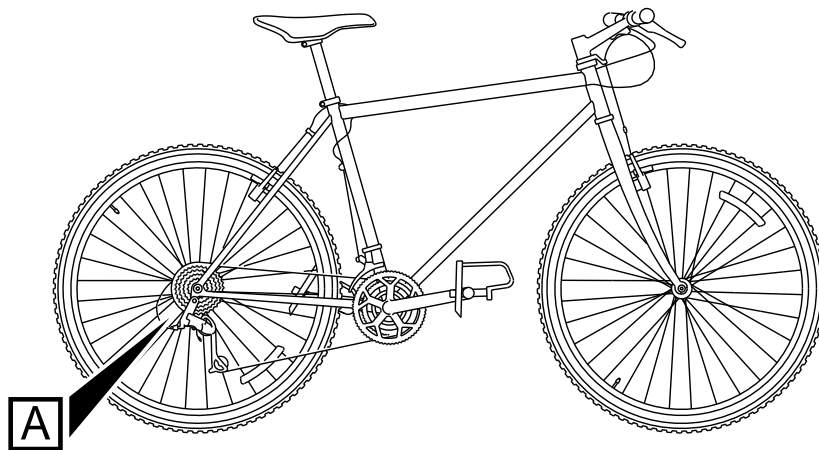
---

The derailleur is installed on the bicycle seat tube with a clamp and is parallel to the three front sprockets.

The shift cable is connected between the shifters on the handle bars and the cable clamp bolt on the front derailleur. This operates the derailleur. On the sprockets there is an inner and outer cage. The clamp attaches the cage.

## 1.2 Rear derailleur

The rear derailleur (refer to [Fig 2](#)) section contains the sprockets for the different gear changes. When the cable clamp bolt is tight, it holds the shift cable in its position. A screw holds the tension wheel.



ICN-S1000DBIKE-AAA-DA51000-0-U8025-00520-A-04-1

Fig 2 Rear derailleur

Produced by Docuneering Ltd

Applicable to: Mountain bicycle  
and (Mountain storm Mk1 or  
Brook trekker Mk9)

S1000DBIKE-AAA-DA5-10-00-00AA-041A-A

---

The derailleur mounting bolt connects the derailleur to the frame. When the user attaches this bolt, this makes sure that the cage plates are parallel with the chain rings.

The guide wheel has the function to move the chain with the derailleur. It moves the chain from one sprocket to the other. The guide wheel must not move on its axis. If this occurs, there will be wear on the wheel. The position of the guide wheel is below the largest sprocket.

Intentionally left blank.

## Hubs

### *Clean with degreasing agent*

#### Table of contents

	Page
Clean with degreasing agent .....	1
References .....	1
Preliminary requirements .....	1
Procedure .....	2

#### List of tables

1	References .....	1
2	Required conditions .....	1
3	Required persons .....	2
4	Support equipment .....	2
5	Consumables, materials and expendables .....	2
6	Spares .....	2

#### List of figures

1	Removing the axle .....	4
---	-------------------------	---

### *References*

*Table 1 References*

Data module / Technical publication	Title
None	

### *Preliminary requirements*

#### Required conditions

*Table 2 Required conditions*

Action / Condition	Data module / Technical publication
Rear wheel removed	

## Required persons

Table 3 Required persons

Persons	Category	Skill level	Trade/Trade code	Estimated time
Man B	Supervisor	Advanced	Bicycle mechanic	0,75 h
Man A	Basic user		Operator	0,25 h

## Support equipment

Table 4 Support equipment

Name	Manufacturer / Part No.	Quantity	Remark
Specialist toolset	MFR: KZ666 /PN: BSK-TLST-001	1 EA	

## Consumables, materials and expendables

Table 5 Consumables, materials and expendables

Name	Manufacturer / Part No.	Quantity	Remark
Degreasing agent	MFR: KZ222 /PN: LL-004	As required	
General grease	MFR: KZ222 /PN: LL-005	As required	

## Spares

Table 6 Spares

Name	Manufacturer / Part No.	Quantity	Remark
None			

## Safety conditions

None

## Procedure

- 1 Remove the axle.
  - 1.1 Use the cone-wrench from the [Specialist toolset](#) and remove the locknut from one side of the axle.
  - 1.2 Remove the washer and the cone from the axle.

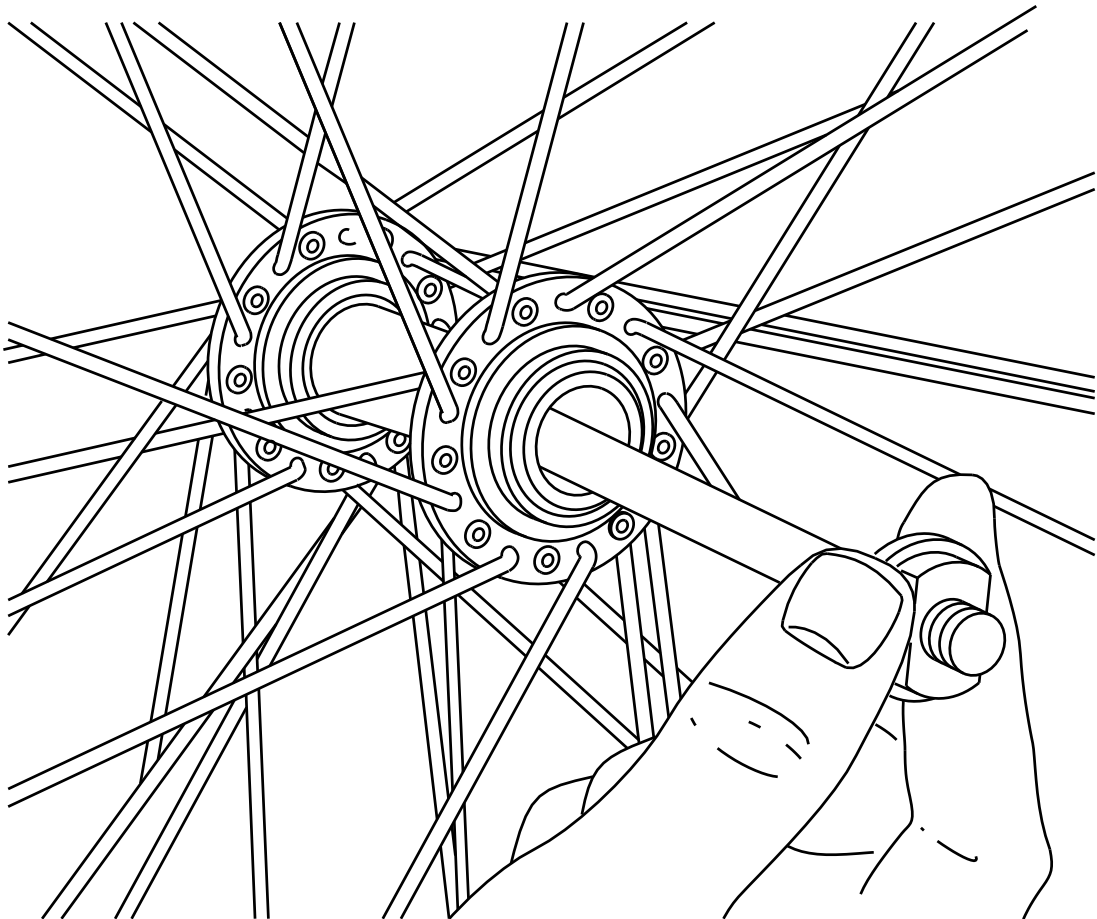
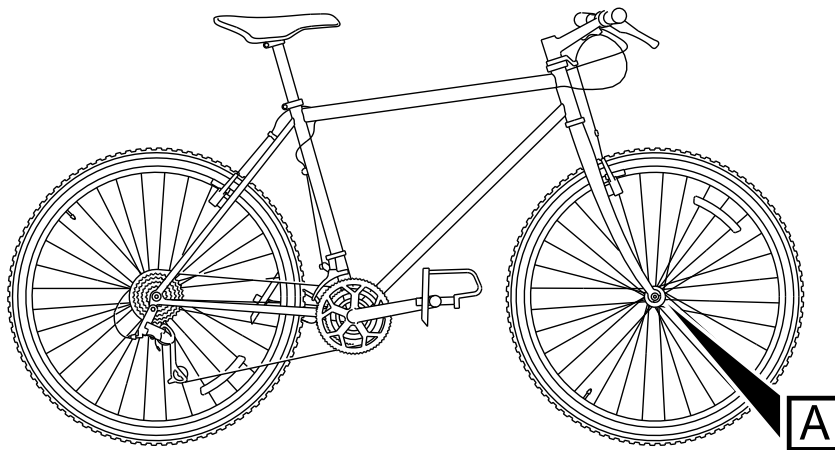
---

1.3

**CAUTION**

**Make sure you do not lose the bearings from the hub. Be prepared to catch the bearings if they fall out. Missing bearings can cause damage to the hub.**

Pull the axle out from the other side as shown in [Fig 1](#) .



A

ICN-S1000DBIKE-AAA-DA52000-0-U8025-00524-A-04-1

Fig 1 Removing the axle



- 
- 2 Remove the bearings.
  - 2.1 Use a small screwdriver from the [Specialist toolset](#) and remove the bearings from their races.
  - 2.2 Make sure that each side of the hub has the same number of bearings.
  - 2.3 Use the [Degreasing agent](#) and clean all the parts of the hub.
  - 2.4 Do a check of the axle to make sure that it is straight.
  - 2.5 Examine the bearing contact area on the cones and the races in the hub for pitting and other signs of damage.
  - 2.6 Do a check of the ball bearings for signs of damage.
  - 2.7 Apply a large quantity of [General grease](#) on each hub race.
  - 3 Assemble the hub.
    - 3.1 Install the ball bearings into the races and push them into the grease.
    - 3.2 Apply more grease on the tops of the bearings.
    - 3.3 Install the axle through the hub.
    - 3.4 Install the cone, the washer and the locknut on the other side of the axle.
    - 3.5 Use the cone-wrench from the specialist toolset and carefully tighten the locknut.

### ***Requirements after job completion***

None

Intentionally left blank.

## Shifters

### *Description of how it is made*

#### Table of contents

	Page
Description of how it is made .....	1
References .....	1
Description .....	1
1 Shifters .....	1
2 How a thumb shifter is made up .....	3

#### List of tables

1 References .....	1
--------------------	---

#### List of figures

1 Thumb shifter index type .....	2
2 Unscrew wingnut .....	4
3 Loosen the nut .....	5
4 Loosen the shifter clamp bolt .....	7

### **References**

*Table 1 References*

Data module / Technical publication	Title
None	

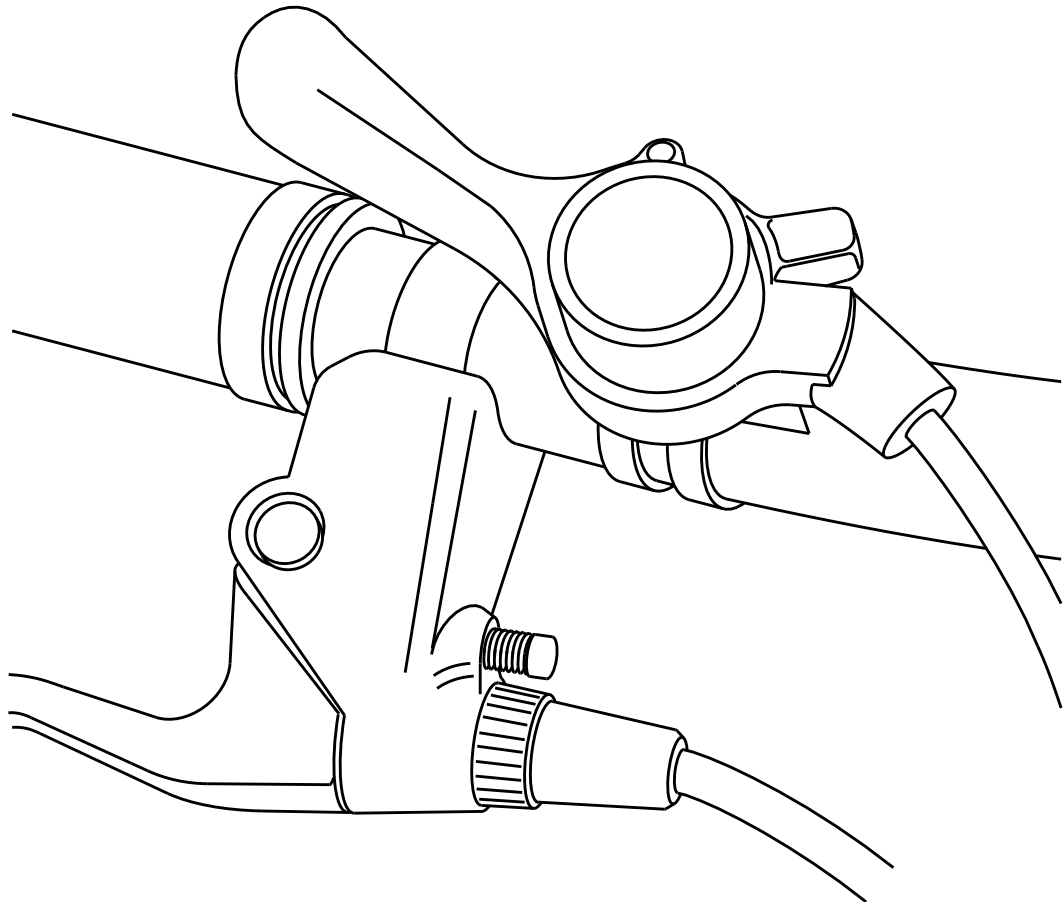
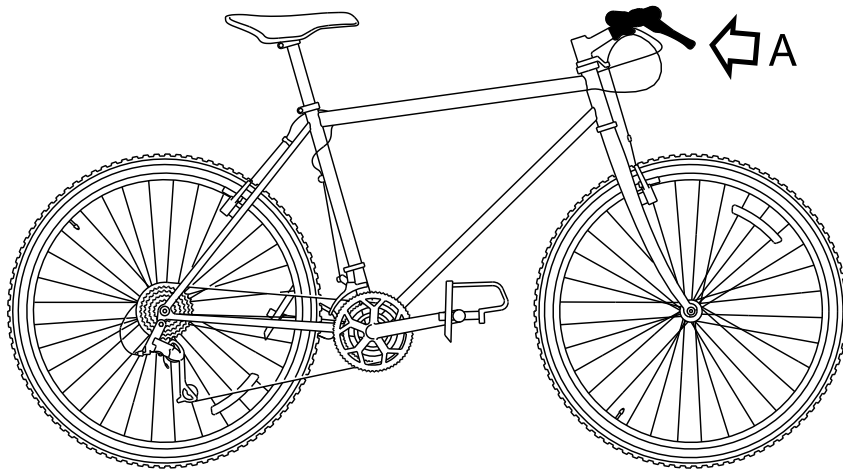
### **Description**

#### **1 Shifters**

The thumb shifter is a usual type in modern bicycles. It is possible to adjust this type of shifter for operation in the index position or in the friction position. The differences between the two are:

- The index shifters change the gears with a click of a lever.
- The friction shifters hold the derailleur in its position by friction.

The thumb shifters (refer to [Fig 1](#)) are held on the bicycle with a screw. The paragraph that follows gives a description of a thumb shifter.



**A**

ICN-S1000DBIKE-AAA-DA53000-0-U8025-00535-A-04-1

*Fig 1 Thumb shifter index type*

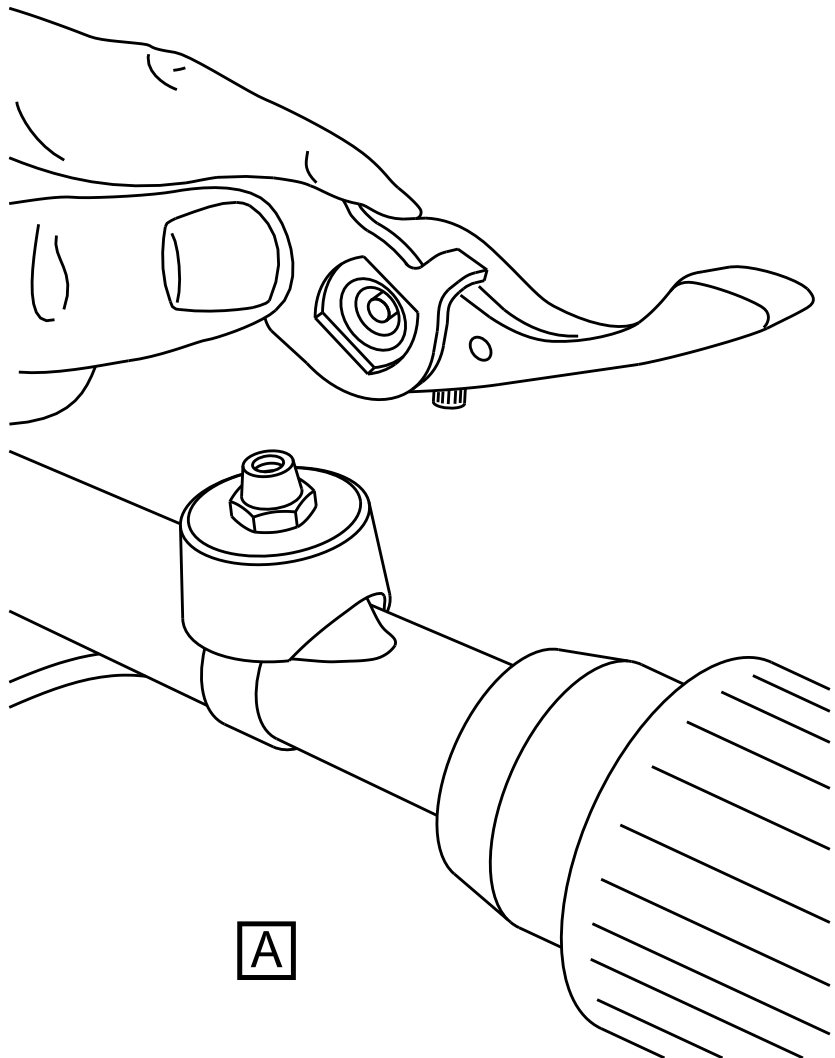
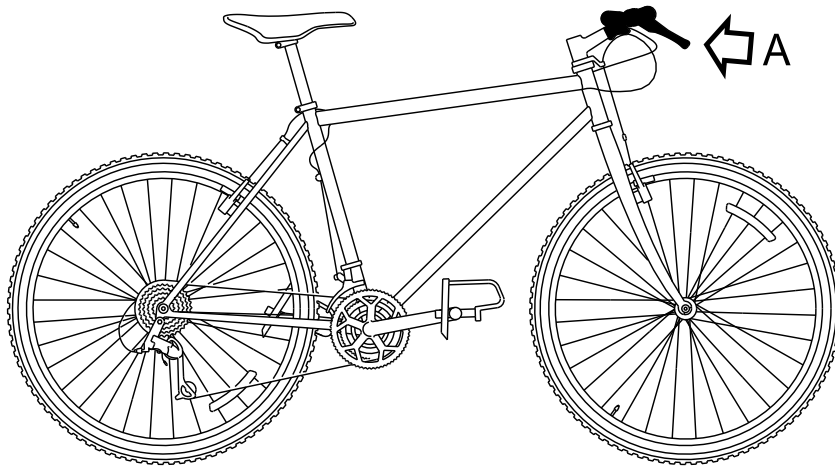
Produced by Docuneering Ltd

Applicable to: Mountain bicycle  
and (Mountain storm Mk1 or  
Brook trekker Mk9)

**S1000DBIKE-AAA-DA5-30-00-00AA-041A-A**

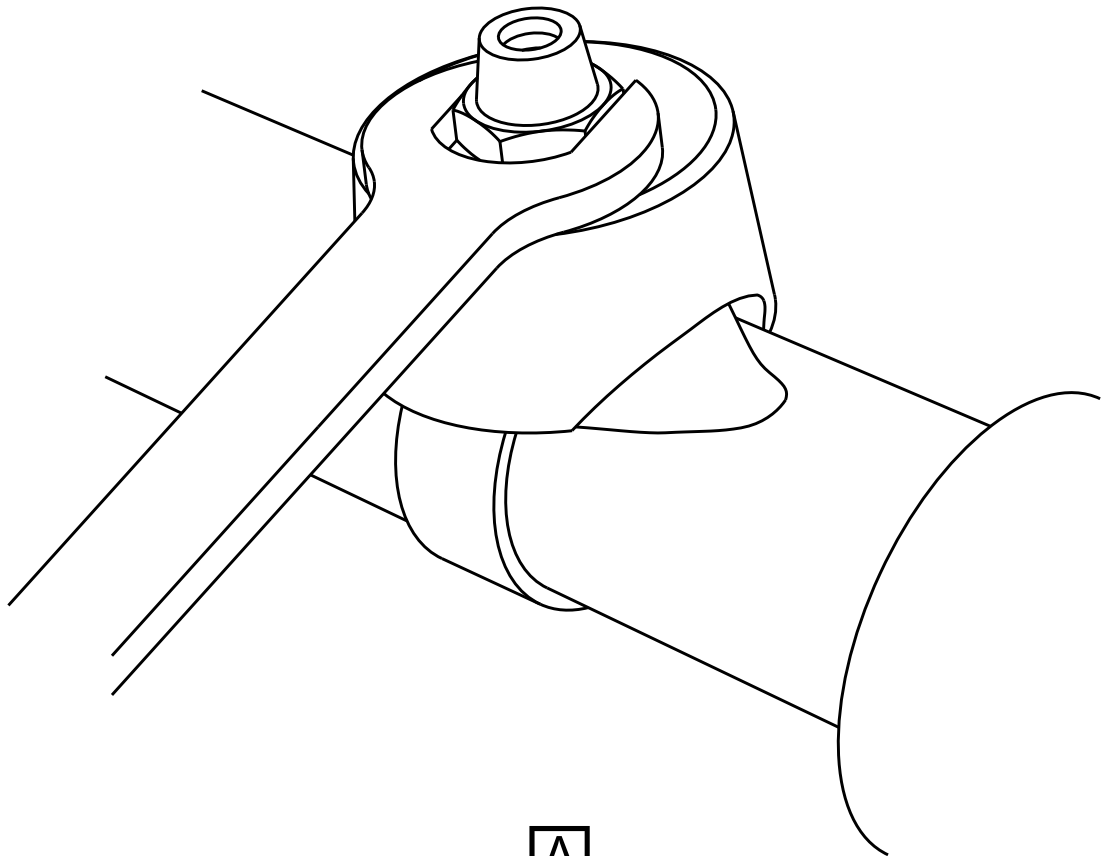
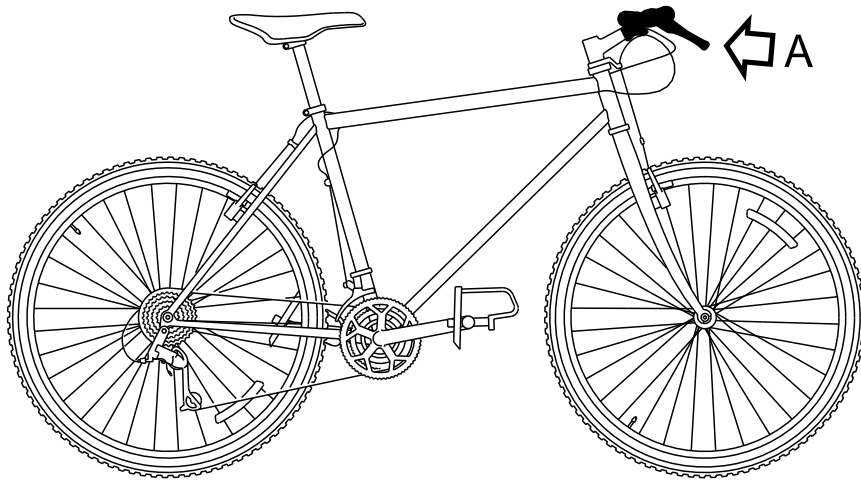
## 2 How a thumb shifter is made up

A wing nut (refer to [Fig 2](#)) from the top of the lever holds the thumb shifter. The lever is on top of the mount and the mount is on the handle bar with a nut. To remove the mount, it is necessary to loosen the nut of two turns (refer to [Fig 3](#)), then the mount can move from the handle bar from the top of the lever. The lever sits on top of the mount and the mount is fixed into place on the handle bar by a nut.



ICN-S1000DBIKE-AAA-DA53000-0-U8025-00525-A-04-1

Fig 2 Unscrew wingnut



**A**

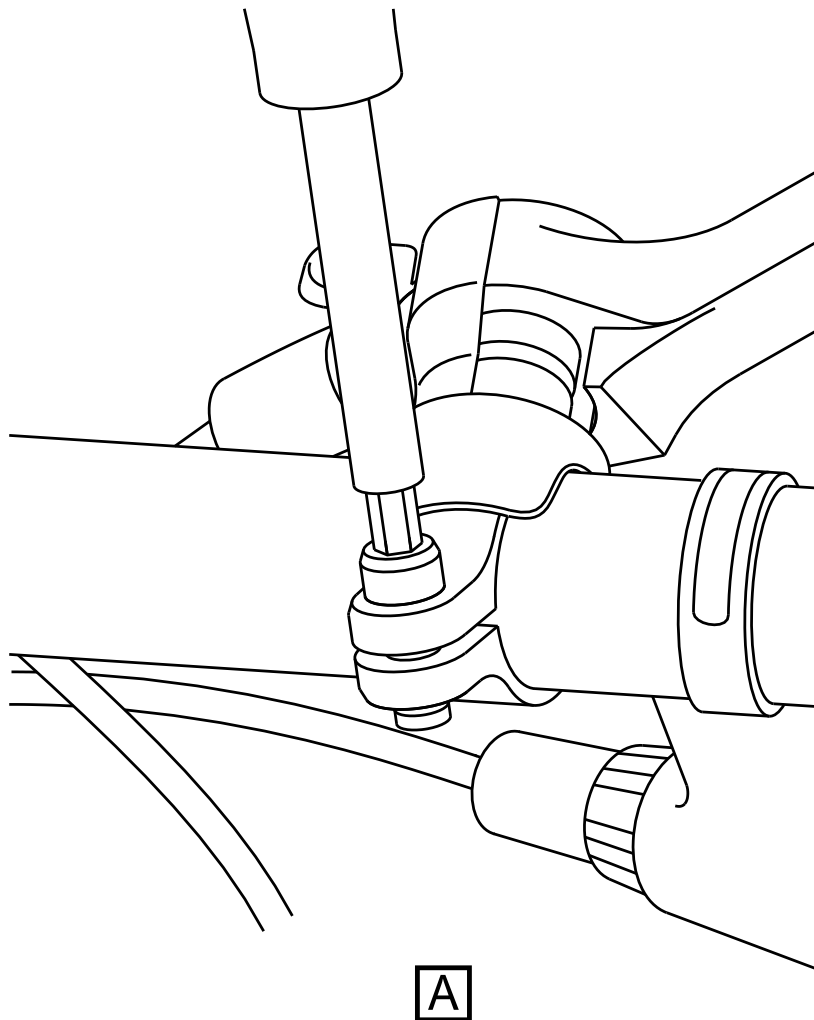
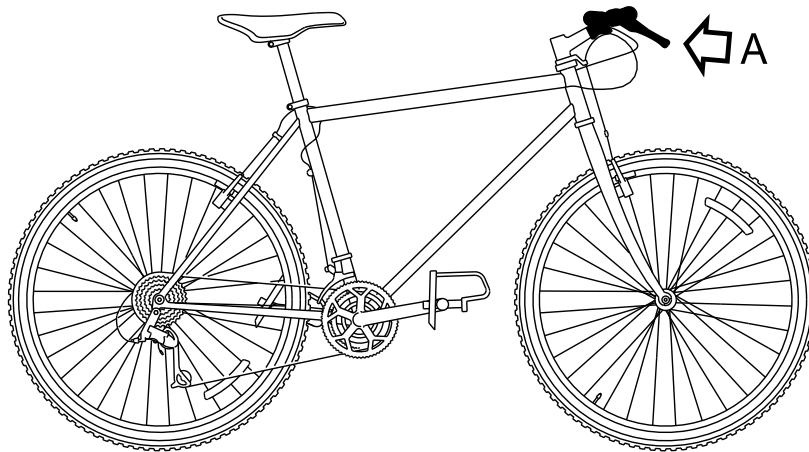
ICN-S1000DBIKE-AAA-DA53000-0-U8025-00526-A-04-1

Fig 3 Loosen the nut

---

On modern models of this shifter, there is a clamp bolt that holds the shifter in its position (refer to [Fig 4](#)). The user can loosen the clamp bolt with an applicable tool. This lets the shifter release the handlebar.





ICN-S1000DBIKE-AAA-DA53000-0-U8025-00527-A-04-1

Fig 4 Loosen the shifter clamp bolt

Produced by Docuneering Ltd

Intentionally left blank.

## Section 2

### Electrical Lighting System

Intentionally left blank.

**Wiring data**

***Field description***

**This is a "wrngflds" Data Module**

**The Docuneering S1000D XSL-FO Stylesheets  
do not yet support the "wrngflds" Data Module**

Intentionally left blank.

## Electrical system

### *Description of how it is made and its function*

#### Table of contents

	Page
Description of how it is made and its function .....	1
References .....	1
Description .....	1
1      Lighting system .....	1

#### List of tables

1      References .....	1
-------------------------	---

#### List of figures

1      Lighting system .....	2
------------------------------	---

### **References**

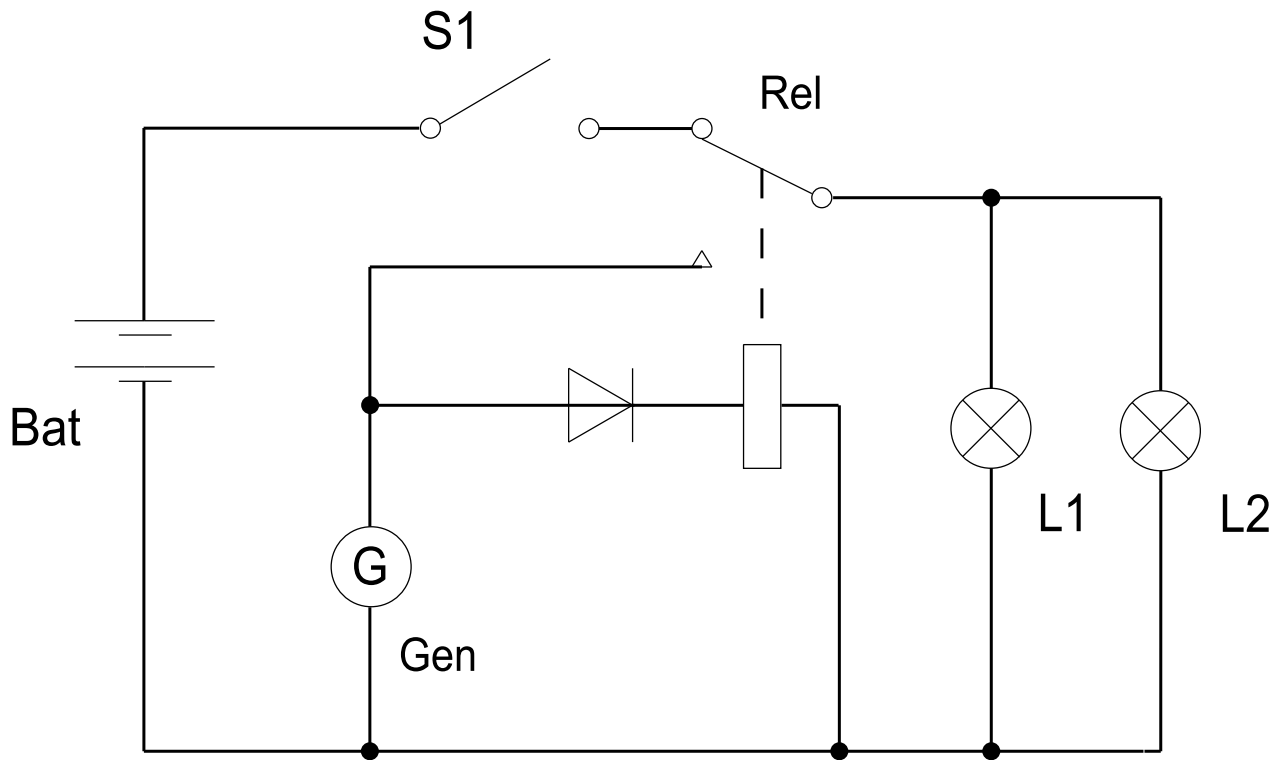
*Table 1 References*

Data module / Technical publication	Title
None	

### **Description**

#### **1      Lighting system**

The illustration that follows (see [Fig 1](#)) shows the lighting system of the bicycle.



ICN-S1000DBIKE-AAA-DA24000-0-C0419-12345-A-04-1

Fig 1 Lighting system



## Wiring

### *Equipment lists*

#### Table of contents

	Page
Equipment lists .....	1
References .....	1
Wiring data .....	1

#### List of tables

1	References .....	1
---	------------------	---

### *References*

*Table 1 References*

Data module / Technical publication	Title
None	

### *Wiring data*

Ident	CLC	Qty	Information	Installation	Applicability
L1 PN: Front light	16		RPC: CAGE: U8025 Name: UK MoD	• Locations: - Handle bars	Mountain bicycle and (Mountain storm Mk1 or Brook trekker Mk9)
L2 PN: Rear light	16		RPC: CAGE: U8025 Name: UK MoD	• Locations: - Seat post	Mountain bicycle and (Mountain storm Mk1 or Brook trekker Mk9)
Batt PN: Battery	16		RPC: CAGE: U8025 Name: UK MoD	• Locations: - Frame	Mountain bicycle and (Mountain storm Mk1 or Brook trekker Mk9)
Gen PN: Generator	16		RPC: CAGE: U8025 Name: UK MoD	• Locations: - Steering tube	Mountain bicycle and (Mountain storm Mk1 or Brook trekker Mk9)
Rel PN: Relay	10		RPC: CAGE: U8025 Name: UK MoD	• Locations: - Frame	Mountain bicycle and (Mountain storm Mk1 or Brook trekker Mk9)
VV1 PN: Distribution module	07		RPC: CAGE: U8025 Name: UK MoD	• Locations: - Frame	Mountain bicycle and (Mountain storm Mk1 or Brook trekker Mk9)

Produced by Docuneering Ltd

Applicable to: Mountain bicycle  
and (Mountain storm Mk1 or  
Brook trekker Mk9)

**S1000DLIGHTING-AAA-D00-00-00-00AA-056A-A**

(Continued)

Ident	CLC	Qty	Information	Installation	Applicability
S1 PN: Switch	15		RPC: CAGE: U8025 Name: UK MoD	• Locations: - Handle bars	Mountain bicycle and (Mountain storm Mk1 or Brook trekker Mk9)
C_Batt PN: Connector	3		RPC: CAGE: U8025 Name: UK MoD	• Locations: - Frame	Mountain bicycle and (Mountain storm Mk1 or Brook trekker Mk9)
C_Bike PN: Receptacle	3		RPC: CAGE: U8025 Name: UK MoD	• Locations: - Frame	Mountain bicycle and (Mountain storm Mk1 or Brook trekker Mk9)
Diode PN: Diode	18		RPC: CAGE: U8025 Name: UK MoD	• Locations: - Frame	Mountain bicycle and (Mountain storm Mk1 or Brook trekker Mk9)
Sensor PN: Speed sensor	16		RPC: CAGE: U8025 Name: UK MoD	• Locations: - Steering tube	Mountain bicycle and (Mountain storm Mk1 or Brook trekker Mk9)
T01 PN: Tachometer	16		RPC: CAGE: U8025 Name: UK MoD	• Locations: - Handle bars	Mountain bicycle and (Mountain storm Mk1 or Brook trekker Mk9)

## Wiring

### Wire list

#### Table of contents

	Page
Wire list .....	1
References .....	1
Wiring data .....	1

#### List of tables

1	References .....	1
---	------------------	---

### References

*Table 1 References*

Data module / Technical publication	Title
None	

### Wiring data

Ident	Connection		Information	Applicability
	From	To		
FL1AA State: Active	FIN: L1 Contact: + Wire conn. code: Electrical potential: NA code: 01	FIN: VV1 Contact: 1 + Wire conn. code: Electrical potential: NA code: 03	Wire code: Wire type: AP Wire guages: - 010 (proj) Harn. id: Lamp1 Twists: - Lamp1 Twisting type: 1 Length: 1000 Wire color: red U8025	Mountain bicycle and (Mountain storm Mk1 or Brook trekker Mk9)
FL2AA State: Active	FIN: L1 Contact: - Wire conn. code: Electrical potential: NA code: 01	FIN: VV1 Contact: 1 - Wire conn. code: Electrical potential: NA code: 03	Wire code: Wire type: AP Wire guages: - 010 (proj) Harn. id: Lamp1 Twists: - Lamp1 Twisting type: 1 Length: 1000 Wire color: blue	Mountain bicycle and (Mountain storm Mk1 or Brook trekker Mk9)

Produced by Docuneering Ltd

Applicable to: Mountain bicycle  
and (Mountain storm Mk1 or  
Brook trekker Mk9)

**S1000DLIGHTING-AAA-D00-00-00-00AA-057A-A**

(Continued)

Ident	Connection		Information	Applicability
	From	To		
			U8025	
NC1VI State: Not active	FIN: VV1 Contact: 4 + Wire conn. code: Electrical potential: NA code: 03			Mountain bicycle and (Mountain storm Mk1 or Brook trekker Mk9)
RL1AA State: Active	FIN: L2 Contact: + Wire conn. code: Electrical potential: NA code: 01	FIN: VV1 Contact: 2 + Wire conn. code: Electrical potential: NA code: 03	Wire code: Wire type: AP Wire gauges: - 010 (proj) Harn. id: Lamp2 Twists: - Lamp2 Twisting type: 1 Length: 1500 Wire color: red U8025	Mountain bicycle and (Mountain storm Mk1 or Brook trekker Mk9)
RL2AA State: Active	FIN: L2 Contact: - Wire conn. code: Electrical potential: NA code: 01	FIN: VV1 Contact: 2 - Wire conn. code: Electrical potential: NA code: 03	Wire code: Wire type: AP Wire gauges: - 010 (proj) Harn. id: Lamp2 Twists: - Lamp2 Twisting type: 1 Length: 1500 Wire color: blue U8025	Mountain bicycle and (Mountain storm Mk1 or Brook trekker Mk9)
GE2AA State: Active	FIN: Gen Contact: GND Wire conn. code: Electrical potential: NA code: 01	FIN: VV1 Contact: 3 - Wire conn. code: Electrical potential: NA code: 03	Wire code: Wire type: AP Wire gauges: - 010 (proj) Harn. id: Length: 500 Wire color: U8025	Mountain bicycle and (Mountain storm Mk1 or Brook trekker Mk9)
BT2AA State: Active	FIN: Batt Contact: - Wire conn. code: Electrical potential: NA code: 01	FIN: C_Batt Contact: - Wire conn. code: Electrical potential: NA code: 02	Wire code: Wire type: AP Wire gauges: - 010 (proj) Harn. id: Batt_01 Twists: - Batt Twisting type: 1 Length: 400 Wire color: black U8025	Mountain bicycle and (Mountain storm Mk1 or Brook trekker Mk9)

Produced by Docuneering Ltd

Applicable to: Mountain bicycle and (Mountain storm Mk1 or Brook trekker Mk9)

S1000DLIGHTING-AAA-D00-00-00-00AA-057A-A

(Continued)

Ident	Connection		Information	Applicability
	From	To		
GE1AA State: Active	FIN: Gen Wire conn. code: Electrical potential: NA code: 01	FIN: Rel Contact: 2 Function: Generator mode Wire conn. code: Electrical potential: NA code: 04	Wire code: Wire type: AP Wire guages: - 010 (proj) Harn. id: Length: 500 Wire color: U8025	Mountain bicycle and (Mountain storm Mk1 or Brook trekker Mk9)
GE3AA State: Active	FIN: Gen Wire conn. code: Electrical potential: NA code: 01	FIN: Diode Contact: A Wire conn. code: Electrical potential: NA code: 04	Wire code: Wire type: AP Wire guages: - 010 (proj) Harn. id: Length: 500 Wire color: U8025	Mountain bicycle and (Mountain storm Mk1 or Brook trekker Mk9)
BT1AA State: Active	FIN: Batt Contact: + Wire conn. code: Electrical potential: NA code: 01	FIN: C_Batt Contact: + Wire conn. code: Electrical potential: NA code: 02	Wire code: Wire type: AP Wire guages: - 010 (proj) Harn. id: Batt_01 Twists: - Batt Twisting type: 1 Length: 400 Wire color: red U8025	Mountain bicycle and (Mountain storm Mk1 or Brook trekker Mk9)
BA1AA State: Active	FIN: C_Bike Contact: + Wire conn. code: Electrical potential: NA code: 02	FIN: S1 Contact: Batt Wire conn. code: Electrical potential: NA code: 04	Wire code: Wire type: AP Wire guages: - 010 (proj) Harn. id: Length: 1200 Wire color: U8025	Mountain bicycle and (Mountain storm Mk1 or Brook trekker Mk9)
BA1AB State: Active	FIN: S1 Contact: ON Wire conn. code: Electrical potential: NA code: 04	FIN: Rel Contact: 3 Function: Battery mode Wire conn. code: Electrical potential: NA code: 04	Wire code: Wire type: AP Wire guages: - 010 (proj) Harn. id: Length: 1000 Wire color: U8025	Mountain bicycle and (Mountain storm Mk1 or Brook trekker Mk9)
BA2AA State: Active	FIN: C_Bike Contact: - Wire conn. code: Electrical potential:	FIN: VV1 Contact: 4 - Wire conn. code: Electrical potential:	Wire code: Wire type: AP Wire guages: - 010 (proj)	Mountain bicycle and (Mountain storm Mk1 or Brook trekker Mk9)

Produced by Docuneering Ltd

Applicable to: Mountain bicycle  
and (Mountain storm Mk1 or  
Brook trekker Mk9)

S1000DLIGHTING-AAA-D00-00-00-00AA-057A-A

(Continued)

Ident	Connection		Information	Applicability
	From	To		
	NA code: 02	NA code: 03	Harn. id: Length: 200 Wire color: U8025	
LL1AA State: Active	FIN: Rel Contact: 1 Wire conn. code: Electrical potential: NA code: 04	FIN: VV1 Contact: 3 + Wire conn. code: Electrical potential: NA code: 03	Wire code: Wire type: AP Wire guages: - 010 (proj) Harn. id: Length: 500 Wire color: U8025	Mountain bicycle and (Mountain storm Mk1 or Brook trekker Mk9)
GE4AA State: Active	FIN: Gen Contact: GND Wire conn. code: Electrical potential: NA code: 01	FIN: Rel Wire conn. code: Electrical potential: NA code: 04	Wire code: Wire type: AP Wire guages: - 010 (proj) Harn. id: Length: 500 Wire color: U8025	Mountain bicycle and (Mountain storm Mk1 or Brook trekker Mk9)
GE5AA State: Logconn	FIN: Diode Contact: K Wire conn. code: Electrical potential: NA code: 04	FIN: Rel Wire conn. code: Electrical potential: NA code: 04		Mountain bicycle and (Mountain storm Mk1 or Brook trekker Mk9)
T001 State: Active	FIN: T01 Contact: 1 Wire conn. code: Electrical potential: NA code: 01 Screens: - 00 01 00	FIN: Sensor Contact: A Wire conn. code: Electrical potential: NA code: 01 Screens: - 00 01 00	Wire code: Wire type: XY Wire guages: - 010 (proj) Harn. id: Tacho Screens: - SCT1 Twists: - Tacho Twisting type: 1 Length: 1200 Wire color: yellow U8025	Mountain bicycle and (Mountain storm Mk1 or Brook trekker Mk9)
T002 State: Active	FIN: T01 Contact: 2 Wire conn. code: Electrical potential: NA code: 01 Screens: - 00 01 00	FIN: Sensor Contact: B Wire conn. code: Electrical potential: NA code: 01 Screens: - 00 01 00	Wire code: Wire type: XY Wire guages: - 010 (proj) Harn. id: Tacho Screens: - SCT1	Mountain bicycle and (Mountain storm Mk1 or Brook trekker Mk9)

Produced by Docuneering Ltd

Applicable to: Mountain bicycle  
and (Mountain storm Mk1 or  
Brook trekker Mk9)

S1000DLIGHTING-AAA-D00-00-00-00AA-057A-A

(Continued)

Ident	Connection		Information	Applicability
	From	To		
			Twists: - Tacho Twisting type: 1 Length: 1200 Wire color: green U8025	
ND1 State: Logconn	FIN: T01 Wire conn. code: Electrical potential: NA code: 01 Screens: - 01 03 01	FIN: T01 Wire conn. code: Electrical potential: NA code: 01 Screens: - 01 03 01 SCT1		Mountain bicycle and (Mountain storm Mk1 or Brook trekker Mk9)
ND2 State: Logconn	FIN: Sensor Wire conn. code: Electrical potential: NA code: 01 Screens: - 01 03 01	FIN: Sensor Wire conn. code: Electrical potential: NA code: 01 Screens: - 01 03 01 SCT1		Mountain bicycle and (Mountain storm Mk1 or Brook trekker Mk9)

Intentionally left blank.



## Wiring

### *Loom list*

#### Table of contents

	Page
Loom list .....	1
References .....	1
Wiring data .....	1

#### List of tables

1	References .....	1
---	------------------	---

### *References*

*Table 1 References*

Data module / Technical publication	Title
None	

### *Wiring data*

Ident	Information	Routing	RPC	Applicability
Batt_01	Battery_123 Harn. var.: 123 Harn. iss.: A		CAGE: U8025 Name: UK MoD	Mountain bicycle and (Mountain storm Mk1 or Brook trekker Mk9)
Tacho	Tachometer_101 Harn. var.: 101 Harn. iss.: A		CAGE: U8025 Name: UK MoD	Mountain bicycle and (Mountain storm Mk1 or Brook trekker Mk9)
Lamp1	Front light_501 Harn. var.: 501 Harn. iss.: A		CAGE: U8025 Name: UK MoD	Mountain bicycle and (Mountain storm Mk1 or Brook trekker Mk9)
Lamp2	Rear light_503 Harn. var.: 503 Harn. iss.: A		CAGE: U8025 Name: UK MoD	Mountain bicycle and (Mountain storm Mk1 or Brook trekker Mk9)

Produced by Docuneering Ltd

Intentionally left blank.

## Lights

### Manual test

#### Table of contents

	Page
Manual test .....	1
References .....	1
Preliminary requirements .....	1
Procedure .....	2

#### List of tables

1	References .....	1
2	Required conditions .....	1
3	Required persons .....	1
4	Support equipment .....	2
5	Consumables, materials and expendables .....	2
6	Spares .....	2

### References

*Table 1 References*

Data module / Technical publication	Title
None	

### Preliminary requirements

#### Required conditions

*Table 2 Required conditions*

Action / Condition	Data module / Technical publication
None	

#### Required persons

*Table 3 Required persons*

Persons	Category	Skill level	Trade/Trade code	Estimated time
Man A	Basic user		Operator	0,25 h

---

## Support equipment

*Table 4 Support equipment*

Name	Manufacturer / Part No.	Quantity	Remark
None			

## Consumables, materials and expendables

*Table 5 Consumables, materials and expendables*

Name	Manufacturer / Part No.	Quantity	Remark
None			

## Spares

*Table 6 Spares*

Name	Manufacturer / Part No.	Quantity	Remark
None			

## Safety conditions

None

### ***Procedure***

- 1 Set the lights to on.
- 2 Make sure that all the lights operate correctly.

### ***Requirements after job completion***

None

## Lights

### *Observed fault*

#### Fault codes

Fault code	Fault description
<a href="#">NYCJD02</a>	The lights are set to the dim position.

#### Table of contents

	Page
Observed fault .....	1
References .....	1
Fault reporting .....	1

#### List of tables

1	References .....	1
---	------------------	---

### *References*

*Table 1 References*

Data module / Technical publication	Title
<a href="#">S1000DLIGHTING-AAA-D00-00-00-00AA-341A-A</a>	Lights – Manual test
<a href="#">S1000DLIGHTING-AAA-D00-00-00-00AA-921A-A</a>	Lighting – Remove and install a new item

### *Fault reporting*

#### Fault code

NYCJD02

#### Fault description

The lights are set to the dim position.

- 1**      **During use or maintenance**
- 1.1**    **Fault isolation test – LRU**

---

**Line replaceable unit**

---

**Nomenclature****Identification**

---

BulbMFR: KZ111/PN: LiRUs-L1-11

---

**Fault isolation test performance**

Test type:..... Operation

Test code:..... O-001

**Test description**

Name:..... Test the bulbs

**Test parameters**

from 1 to 1 Days

**Test procedures:**..... [S1000DLIGHTING-AAA-D00-00-00-00AA-341A-A](#)**Repair procedures:**..... [S1000DLIGHTING-AAA-D00-00-00-00AA-921A-A](#)**Remarks**

This is the data module you would visit when you notice that the lights do not operate correctly.

## Lighting

### *Assemble, install and connect procedures*

#### Table of contents

	Page
Assemble, install and connect procedures .....	1
References .....	1
Preliminary requirements .....	1
Procedure .....	2

#### List of tables

1	References .....	1
2	Required conditions .....	1
3	Support equipment .....	1
4	Consumables, materials and expendables .....	2
5	Spares .....	2

### **References**

*Table 1 References*

Data module / Technical publication	Title
<a href="#">S1000DLIGHTING-AAA-D00-00-00-00AA-941A-A</a>	
<a href="#">S1000DLIGHTING-AAA-D00-00-00-00AA-921A-A</a>	Lighting – Remove and install a new item

### **Preliminary requirements**

#### Required conditions

*Table 2 Required conditions*

Action / Condition	Data module / Technical publication
Bike is stationary	

#### Support equipment

*Table 3 Support equipment*

Name	Manufacturer / Part No.	Quantity	Remark
Specialist toolset	MFR: KZ666 /PN: BSK-TLST-001	1 EA	

Applicable to: Mountain bicycle  
and (Mountain storm Mk1 or  
Brook trekker Mk9)

**S1000DLIGHTING-AAA-D00-00-00-00AA-700A-A**

## Consumables, materials and expendables

Table 4 Consumables, materials and expendables

Name	Manufacturer / Part No.	Quantity	Remark
None			

## Spares

Table 5 Spares

Name	Manufacturer / Part No.	Quantity	Remark
None			

## Safety conditions

None

## Procedure

- 1 Remove the lighting system from the packaging.
- 2 Make sure that the components in the package are the same as those on the [S1000DLIGHTING-AAA-D00-00-00-00AA-941A-A](#).
- 3 Install the light bulb to the front and rear lights (refer to [S1000DLIGHTING-AAA-D00-00-00-00AA-921A-A](#)).
- 4 Attach the front light fitting on the top of the handlebar.
  - 4.1 Apply the protective strip around the handlebar.
  - 4.2 Pull the clamp open and put it around the protective strip with the light connector at the top.
  - 4.3 Install the washer on the screw.
  - 4.4 Use the correct screwdriver from the [Specialist toolset](#) and tighten the screw into the hole at the bottom of the clamp. This safeties the clamp to the handlebar.
- 5 Attach the rear light fitting to the rear triangle of the bike frame.
  - 5.1 Apply the protective strip around one of the two rear triangle up-tubes.
  - 5.2 Pull the clamp open and put it around the protective strip. Make sure the light connector points rearwards.
  - 5.3 Install the washer on the screw.
  - 5.4 Use the correct screwdriver from the [Specialist toolset](#) and tighten the screw into the hole at the bottom of the clamp. This safeties the clamp to the tube.
- 6 Attach the light with the white glass to the front connector.



---

7 Attach the light with the red glass to the rear connector.

## *Requirements after job completion*

None

Intentionally left blank.

## Lighting

### *Remove and install a new item*

#### Table of contents

	Page
Remove and install a new item .....	1
References .....	1
Preliminary requirements .....	1
Procedure .....	2

#### List of tables

1	References .....	1
2	Required conditions .....	1
3	Support equipment .....	1
4	Consumables, materials and expendables .....	2
5	Spares .....	2

### *References*

*Table 1 References*

Data module / Technical publication	Title
None	

### *Preliminary requirements*

#### Required conditions

*Table 2 Required conditions*

Action / Condition	Data module / Technical publication
Light set to off	
Light removed from bicycle	

#### Support equipment

*Table 3 Support equipment*

Name	Manufacturer / Part No.	Quantity	Remark
None			

Produced by Docuneering Ltd

Applicable to: Mountain bicycle  
and (Mountain storm Mk1 or  
Brook trekker Mk9)

**S1000DLIGHTING-AAA-D00-00-00-00AA-921A-A**

## Consumables, materials and expendables

Table 4 Consumables, materials and expendables

Name	Manufacturer / Part No.	Quantity	Remark
None			

## Spares

Table 5 Spares

Name	Manufacturer / Part No.	Quantity	Remark
Bulb	D0000000A010 00A	1 EA	

## Safety conditions

### **WARNING**

Make sure that the Bulb is cool before you replace it.

### **CAUTION**

Do not touch the glass of the Bulb.

## Procedure

- 1 Remove the glass.
- 2 Remove the used Bulb.
- 3 Discard the used Bulb.
- 4 Remove the new Bulb from the packaging.
- 5 Install the new Bulb.
- 6 Install the glass on the light.

## Requirements after job completion

- 1 Attach the light to the bicycle if necessary.

## Light system

### Illustrated Parts Data - IPD

#### Table of contents

	Page
Illustrated Parts Data - IPD .....	1
References .....	1

#### List of tables

1	References .....	1
---	------------------	---

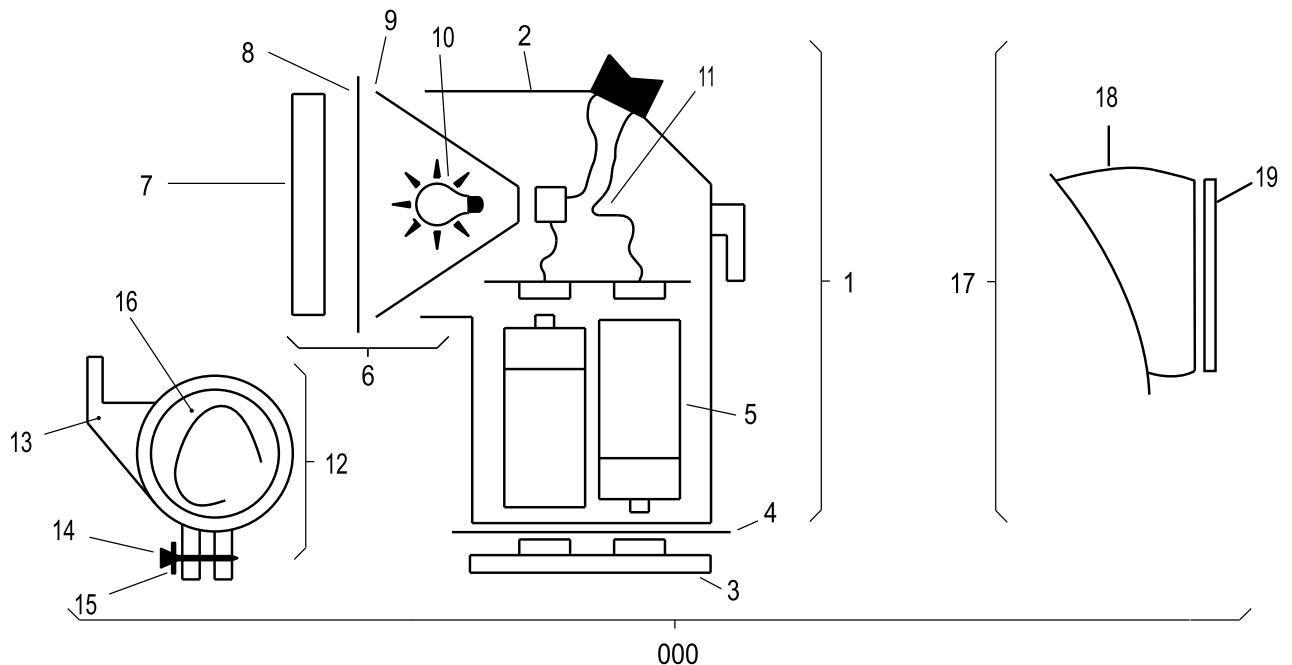
#### List of figures

1	Light system .....	1
---	--------------------	---

### References

Table 1 References

Data module / Technical publication	Title
None	



ICN-S1000DBIKE-AAA-D000000-0-U8025-00537-A-04-1  
Fig 1 Light system

Produced by Docuneering Ltd

## Initial provisioning project information

IPP number: .....KZ7771111  
 IPP subject: .....LIGHT SYSTEM  
 IPP file identifier: .....s

Fig	Item	Units per assembly / Unit of issue	NCAGE	Part No. NATO Stock No.	Description	* Usable on code assy • MV/Effect	ICY
1							
	0	REF EA	KZ777	LRU1001	Light system		
	1	1 EA	KZ777	LRU1010	• Light, sub-assembly front		
	2	1 EA	KZ777	LRU1011	•• Light, main body		
	3	1 EA	KZ777	LRU1012	••• Light, base		
	4	1 EA	KZ777	LRU1013	•••• Seal		
	5	2 BX	KZ777	LIRUS-L1-10	••• Battery		
	6	1 EA	KZ777	LRU1018	•• Lens, assembly		
	7	1 EA	KZ777	LRU1019	••• Lens sub-assembly		
	8	1 EA	KZ777	LRU1022	•••• Seal		
	9	1 EA	KZ777	LRU1020	••• Reflector		
	10	2 EA	KZ777	LIRUS-L1-11	•••• Bulb		
	11	1 EA	KZ777	LRU1026	•• Loom wiring		
	12	1 EA	KZ777	LRU-B001	• Bracket, light mounting		
	13	1 EA	KZ777	LRU-B003	•• Clip		
	14	1 BX	KZ777	LRU-B124	•• Screw, special		
	15	1 BX	KZ777	LRU-B556	•• Washer, flat		
	16	1 EA	KZ777	LRU-B789	••• Grip, strip		
	17	1	KZ777	LRU2010	• Light, sub assembly rear		
	18	1 EA	KZ777	LRU1011	•• Light, main body		
	19	1	KZ777	LRU2018	•• Lens, assembly rear		

Produced by Docuneering Ltd