

---

## Bicycle – Description of how it is made

**DMC:** S1000DBIKE-AAA-D00-00-00-00AA-041A-A  
**Language:** en/US  
**Issue No.:** 012  
**Issue type:** Changed  
**Issue date:** 2024-06-19  
**Title:** Bicycle – Description of how it is made  
**Security classification:** UNCLASSIFIED

### Data restrictions

**Distribution:** To be made available to all S1000D users.  
**Export control:** Export of this data module to all countries that are the residence of organizations that are users of S1000D is permitted. Storage of this data module is to be at the discretion of the organization.  
**Handling:** There are no specific handling instructions for this data module.  
**Destruction:** Users may destroy this data module in accordance with their own local procedures.  
**Disclosure:** There are no dissemination limitations that apply to this data module.  
**Copyright:** **Copyright (C) 2024** by AeroSpace, Security and Defence Industries Association of Europe - ASD  
**Publishers:**  
Aerospace, Security and Defence Industries Association of Europe  
Aerospace Industries Association of America  
ATA e-Business Program

### Limitations of liability:

- This material is provided "As is" and neither ASD nor any person who has contributed to the creation, revision or maintenance of the material makes any representations or warranties, express or implied, including but not limited to, warranties of merchantability or fitness for any particular purpose.
- Neither ASD nor any person who has contributed to the creation, revision or maintenance of this material shall be liable for any direct, indirect, special or consequential damages or any other liability arising from any use of this material.
- Revisions to this document may occur after its issuance. The user is responsible for determining if revisions to the material contained in this document have occurred and are applicable.

The details for copyright can be found in the S1000D Specification.

**Policy reference:** S1000D-SC-2016-017-002-00 Steering Committee TOR

**Conditions:** There are no known conditions that would change the data restrictions for, or security classification of, this data module.

---

<b>Responsible partner company:</b>	AEROSPACE, SECURITY AND DEFENCE INDUSTRIES ASSOCIATION OF EUROPE /B6865
<b>Originator:</b>	AEROSPACE, SECURITY AND DEFENCE INDUSTRIES ASSOCIATION OF EUROPE /B6865
<b>Applicability cross-reference table reference:</b>	<a href="#">S1000DBIKE-AAA-D00-00-00-00AA-00WA-D</a>
<b>Applicability:</b>	Mountain bicycle and (Mountain storm Mk1 or Brook trekker Mk9)
<b>Technical standard:</b>	<b>Authority information:</b> 20010131 <b>Authority baseline:</b> Bike book <b>Authority exceptions:</b> <b>Authority notes:</b>
<b>Brex data module reference:</b>	<a href="#">S1000DBIKE-AAA-D00-00-00-00AA-022A-D</a>
<b>QA:</b>	First verification Cleared table top
<b>System breakdown code:</b>	BY
<b>Skill level:</b>	Basic
<b>Reason for updating:</b>	S1000D upissued
<b>Reason for updating:</b>	CPF_2016-016NL S1000D DIG SVG Profile Recommendation CGM replaced by SVG
<b>Reason for updating:</b>	CPF_2020-040EPWG Bike Enhancement with elements and attributes missing in the samples foldout

This is a draft copy of Issue 012-00  
Printed 2026-06-10 10:06

Produced by Docuneering Ltd.

# Bicycle

## *Description of how it is made*

### Table of contents

	Page
Description of how it is made .....	1
References .....	1
Description .....	1
1 Physical description of a bicycle .....	1

### List of tables

1	References .....	1
2	Bicycle parts .....	5

### List of figures

1	Complete bicycle .....	3
---	------------------------	---

## **References**

*Table 1 References*

Data module/Technical publication	Title
None	

## **Description**

### **1 Physical description of a bicycle**

A bicycle (refer to [Fig 1](#)) is a frame and a number of movable components with mechanical parts that are completely open. There are no covers or sheet metal panels that prevent access to the mechanical parts. Thus, you can disassemble the different components of a bicycle (refer to [Fig 1 \[0\]](#)) to do:

- an inspection
- a maintenance task
- a repair task

This is a draft copy of issue 012-00  
Printed 2026-06-10 10:06

Produced by Docuneering Ltd.

Intentionally left blank.

This is a draft copy of Issue 012-00  
Printed 2026-06-10 10:06

Produced by Docuneering Ltd.

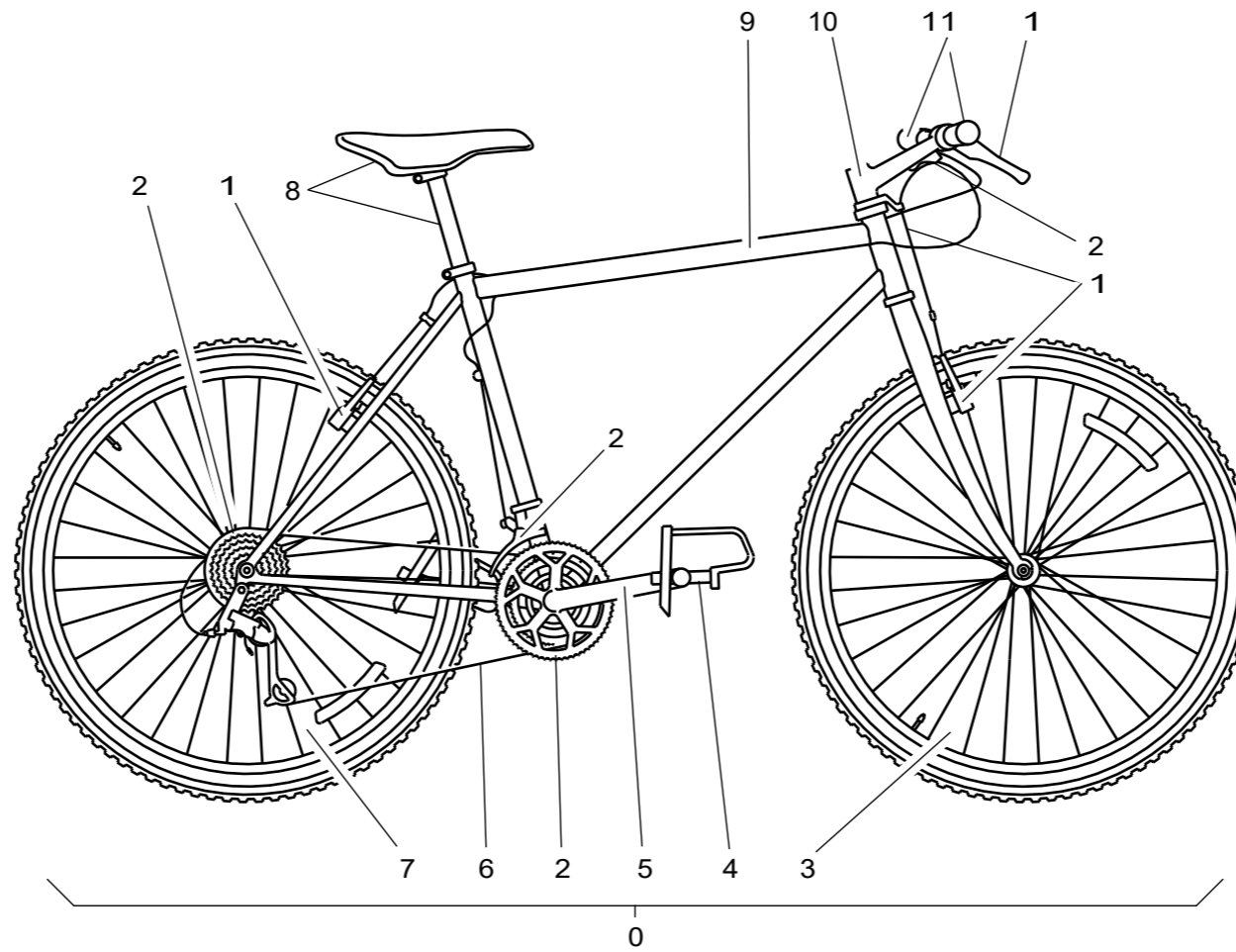


Fig 1 Complete bicycle

ICN-C0419-S1000D0360-001-01

This is a draft copy of Issue 012-00  
Printed 2026-06-10 10:06

Produced by Docuneering Ltd.

Applicable to: Mountain bicycle  
and (Mountain storm Mk1 or  
Brook trekker Mk9)

S1000DBIKE-AAA-D00-00-00-00AA-041A-A

Intentionally left blank.

The parts that you can immediately identify on a bicycle are given in [Table 2](#).

*Table 2 Bicycle parts*

Item	Refer to	Definition
Frame	<a href="#">Fig 1 [9]</a>	A bicycle frame is made of metal tubes that are welded together.
Wheels		The wheels include these parts: <ul style="list-style-type: none"> <li>- Hub</li> <li>- Spokes</li> <li>- Metal rim</li> <li>- Rubber tire</li> </ul>
- Rear wheel	<a href="#">Fig 1 [7]</a>	
- Front wheel	<a href="#">Fig 1 [3]</a>	
Seat and seat post	<a href="#">Fig 1 [8]</a>	These install into the seat tube with a mechanism you can use to change the height.
Handle bars	<a href="#">Fig 1 [11]</a>	A horizontal bar that attaches to the stem with grips at the ends that attach to the brake levers and the shifters.
Handle bar stem	<a href="#">Fig 1 [10]</a>	This attaches the handle bar to the steering tube (head set).
Cranks	<a href="#">Fig 1 [5]</a>	A lever that extends from the bottom of the bracket to the pedal.
Pedals	<a href="#">Fig 1 [4]</a>	The two platforms for the feet that attach to the crank.
Chain	<a href="#">Fig 1 [6]</a>	A circular set of links that connect the chain ring to the cogs on the freewheel.
Gears	<a href="#">Fig 1 [2]</a>	The gears include: <ul style="list-style-type: none"> <li>- Front chain ring</li> <li>- Rear freewheel</li> <li>- Front and the rear derailleur</li> <li>- Shift lever on the handle bars</li> <li>- Cables</li> </ul>
Brakes	<a href="#">Fig 1 [1]</a>	The brakes include: <ul style="list-style-type: none"> <li>- Actuators on the handlebars</li> <li>- Brake cable</li> <li>- Brake callipers</li> <li>- Brake pads</li> </ul>

All parts can be procured from any certified part distributor

This is a draft copy of issue 012-00  
Printed 2026-06-10 10:06

Produced by Docuneering Ltd.

Intentionally left blank.